

US00D497928S1

(12) **United States Design Patent**  
**Cheng-Yuan**

(10) **Patent No.:** **US D497,928 S**  
(45) **Date of Patent:** **\*\* Nov. 2, 2004**

(54) **SURVEILLANCE CAMERA**

(75) **Inventor:** **Liao Cheng-Yuan, Tao Yuan Hsien**  
(TW)

(73) **Assignee:** **Taiwan Regular Electronics Co., Ltd.,**  
Tao Yuan Hsien (TW)

(\*\*) **Term:** **14 Years**

(21) **Appl. No.:** **29/195,809**

(22) **Filed:** **Dec. 15, 2003**

(51) **LOC (7) Cl.** ..... **16-01**

(52) **U.S. Cl.** ..... **D16/203**

(58) **Field of Search** ..... D16/200-205,  
D16/208, 218; 348/143, 151, 373-376;  
358/906; 396/427, 433, 535-541

(56) **References Cited**

**U.S. PATENT DOCUMENTS**

D307,915 S \* 5/1990 Kuester, III ..... D16/203  
D392,300 S \* 3/1998 Chow et al. .... D16/203  
5,966,176 A \* 10/1999 Chow et al. .... 348/373

D481,406 S \* 10/2003 Alessio ..... D16/203  
D481,407 S \* 10/2003 Alessio ..... D16/203  
2001/0015765 A1 \* 8/2001 Marchesini ..... 348/151  
2003/0093805 A1 \* 5/2003 Gin ..... 348/143

\* cited by examiner

*Primary Examiner*—Adir Aronovich

(74) *Attorney, Agent, or Firm*—W. Wayne Liauh

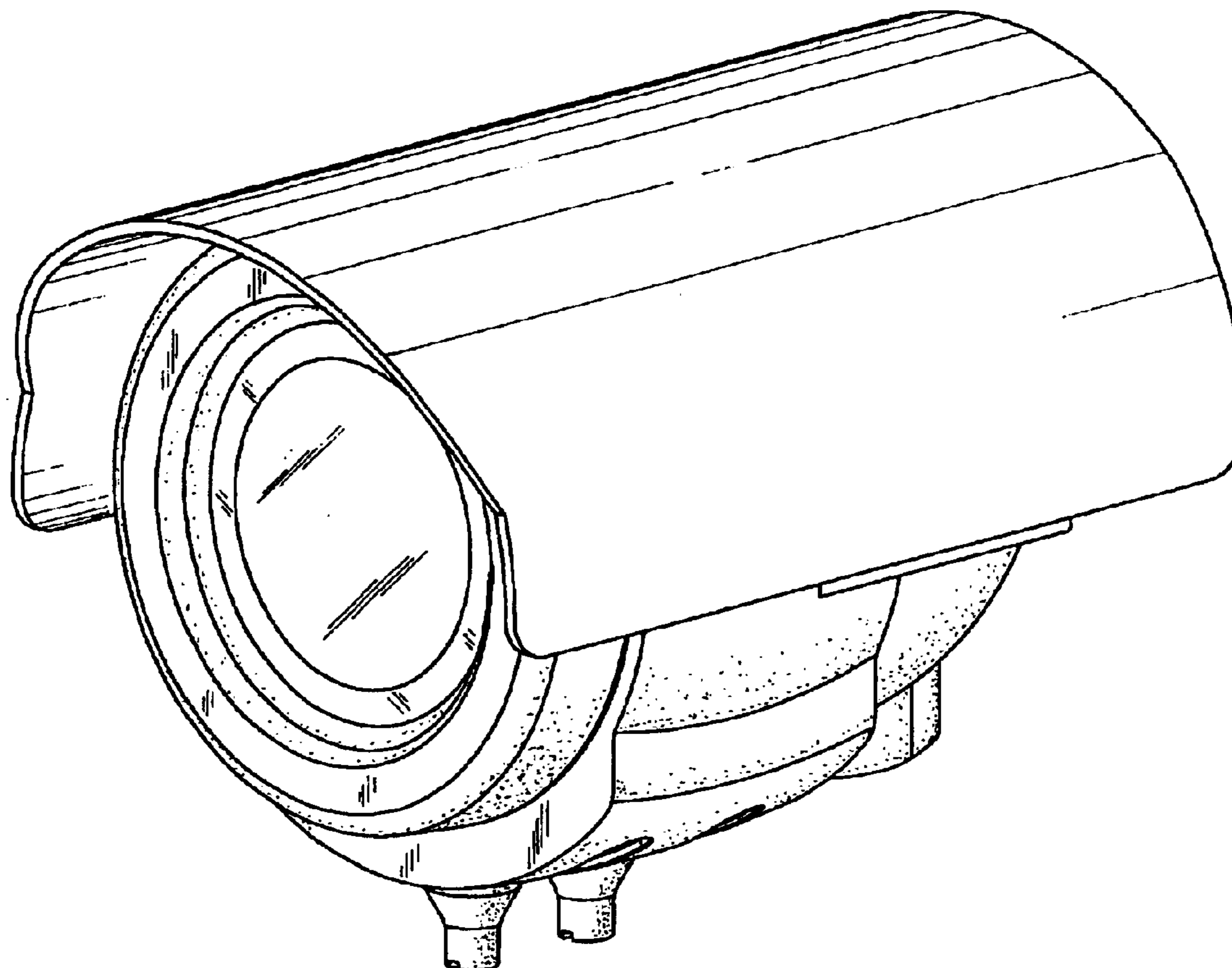
(57) **CLAIM**

The ornamental design for a surveillance camera, as shown and described.

**DESCRIPTION**

FIG. 1 is a perspective view of a surveillance camera, showing my new design;  
FIG. 2 is a front view thereof;  
FIG. 3 is a rear view thereof;  
FIG. 4 is a left side view thereof;  
FIG. 5 is a right side view thereof;  
FIG. 6 is a top view thereof; and,  
FIG. 7 is a bottom view thereof.

**1 Claim, 4 Drawing Sheets**



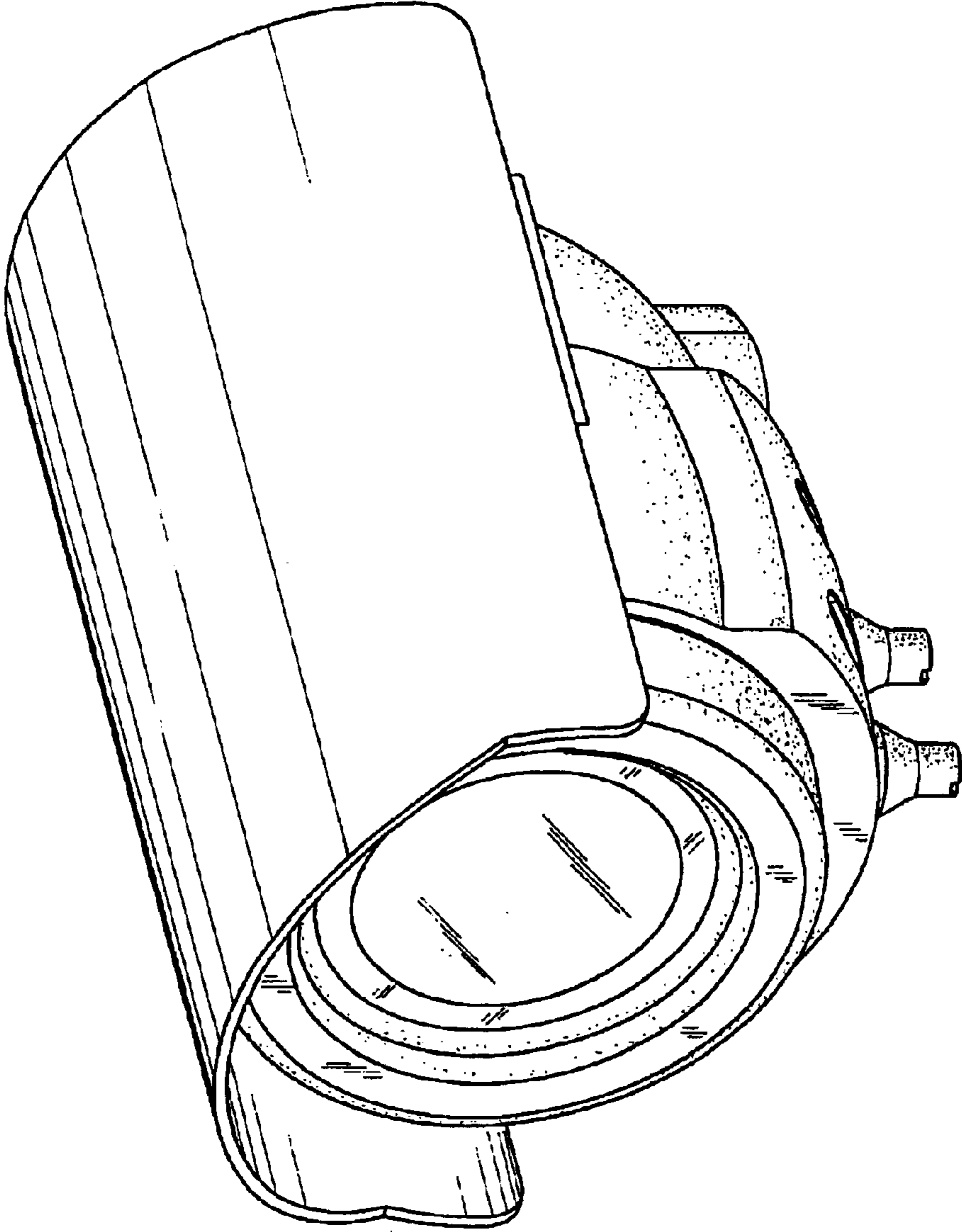


FIG. 1

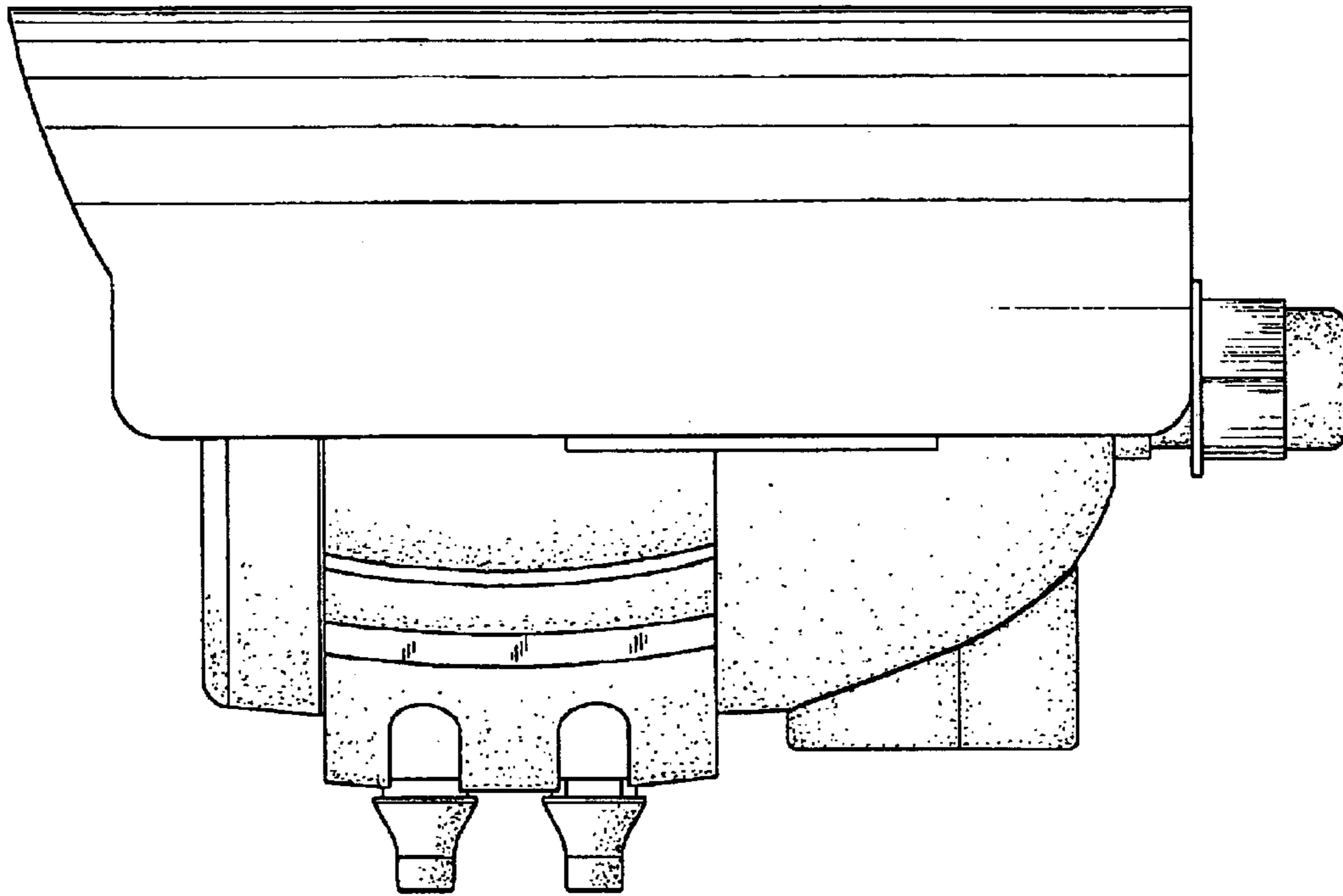


FIG. 2

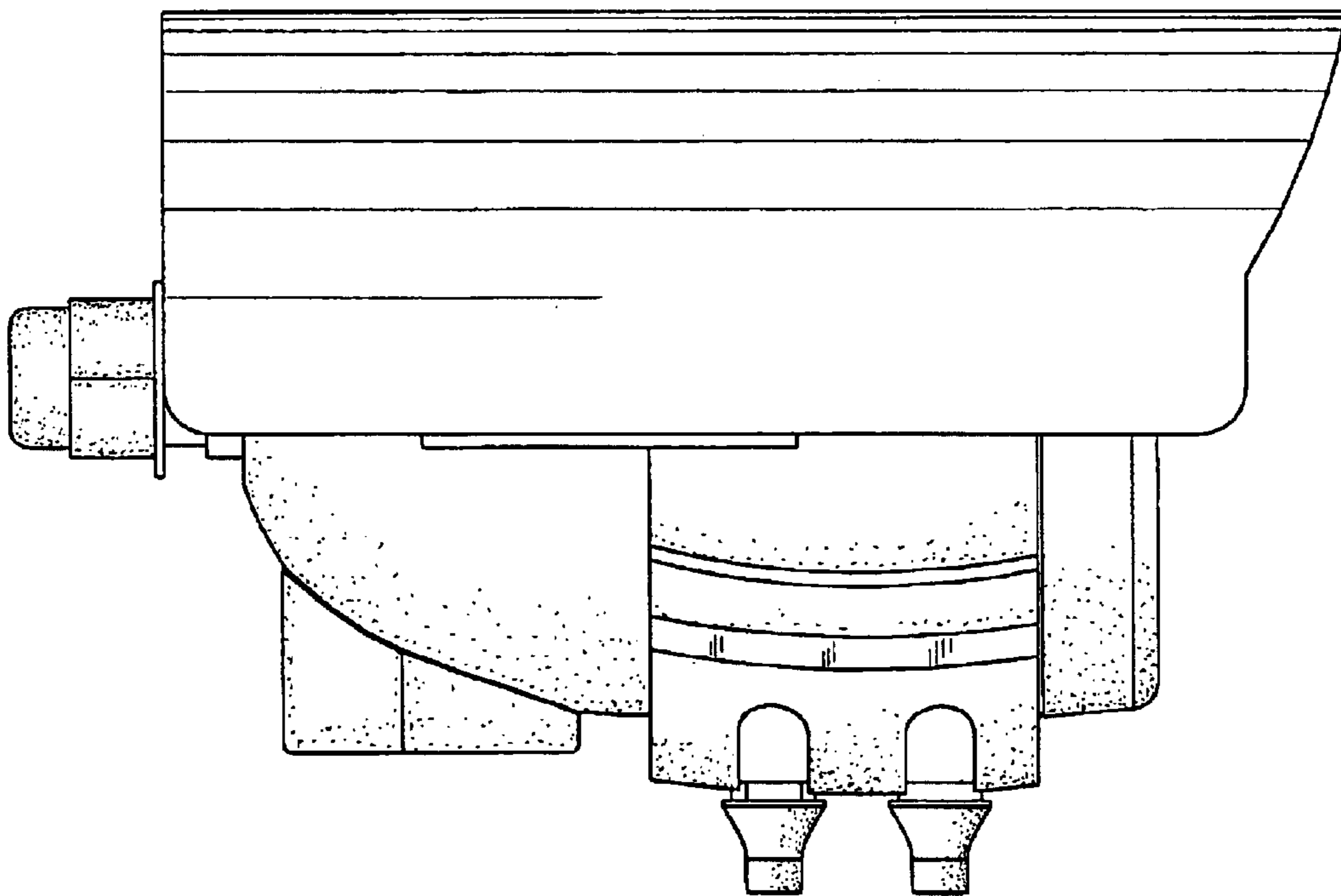


FIG. 3

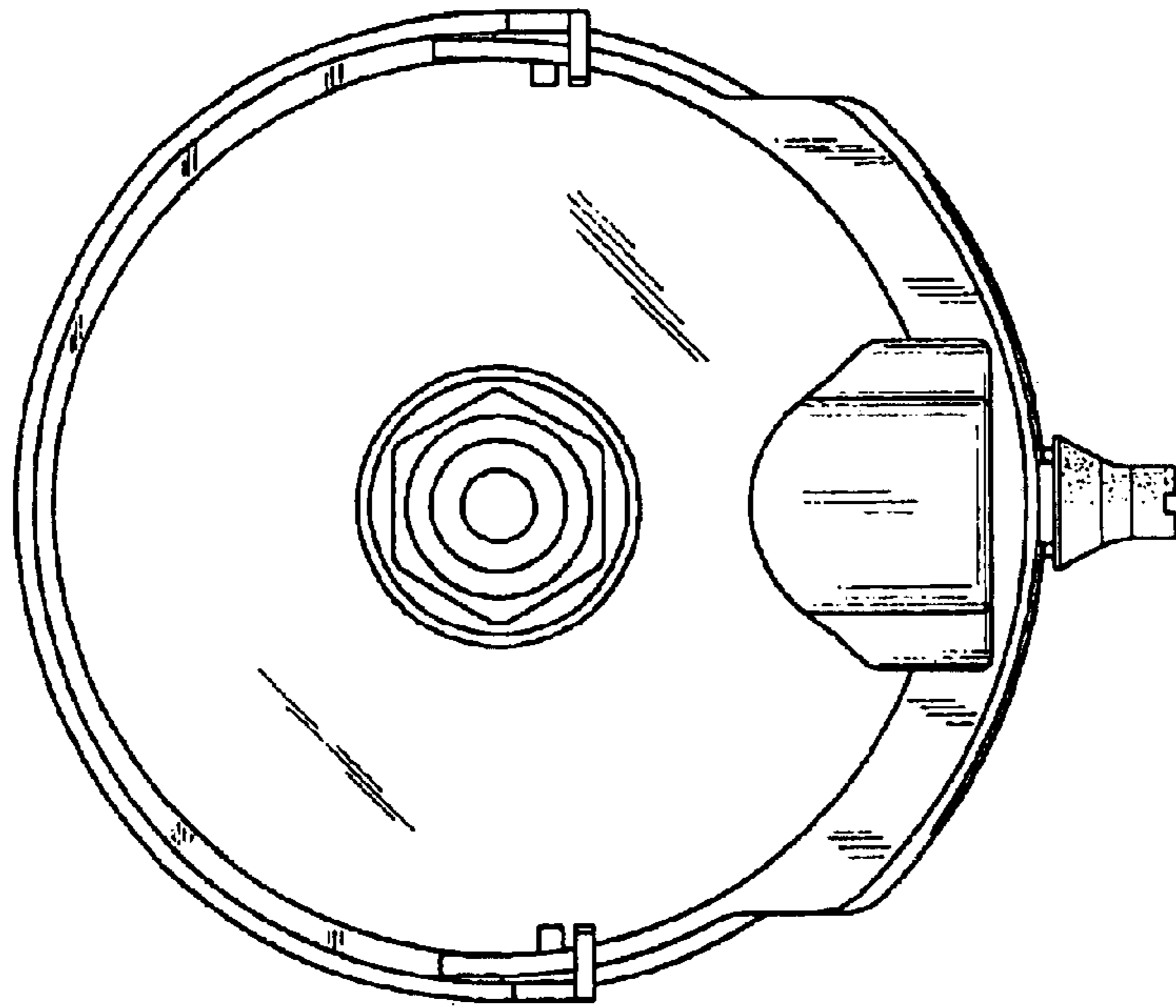


FIG. 5

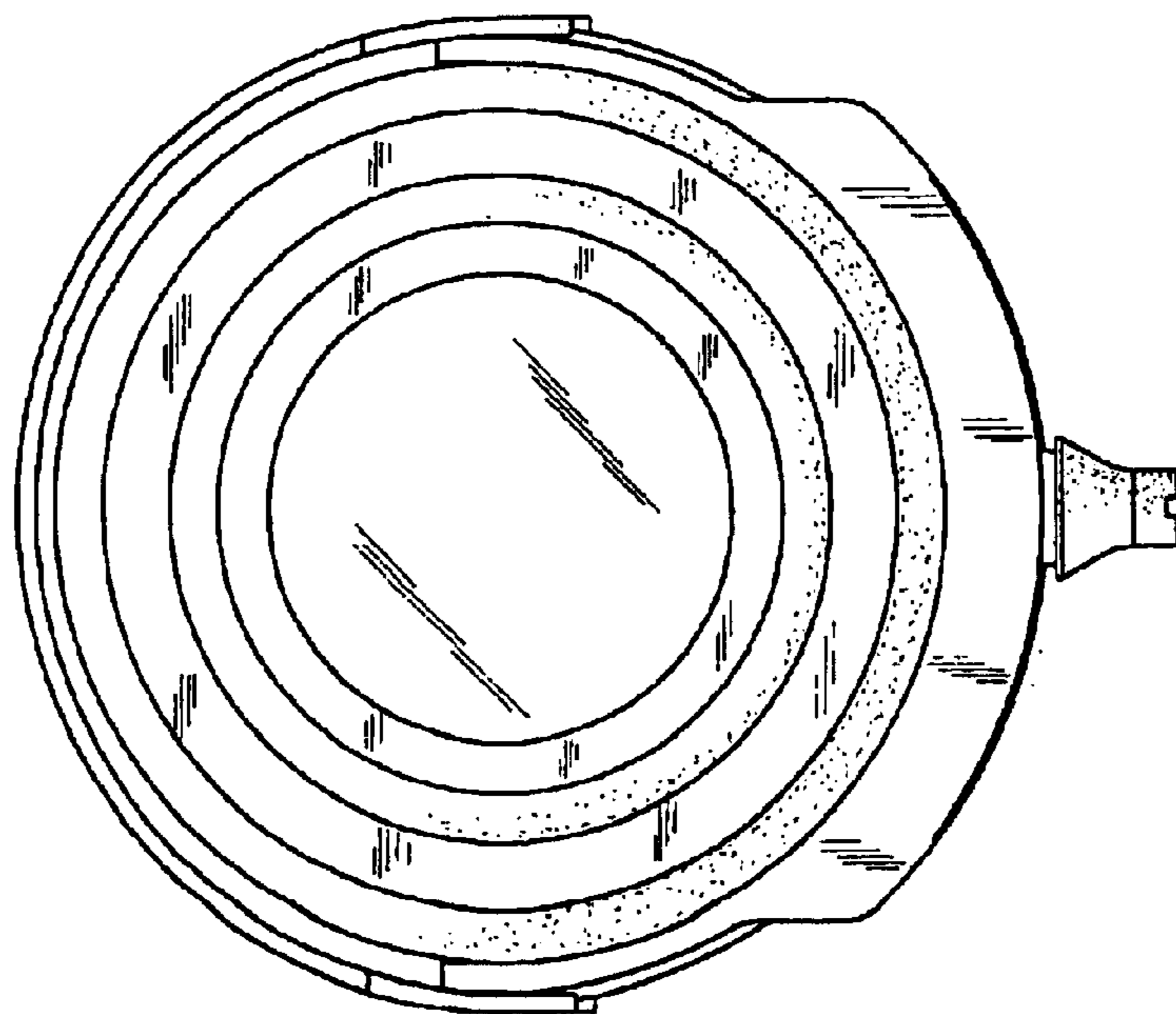


FIG. 4

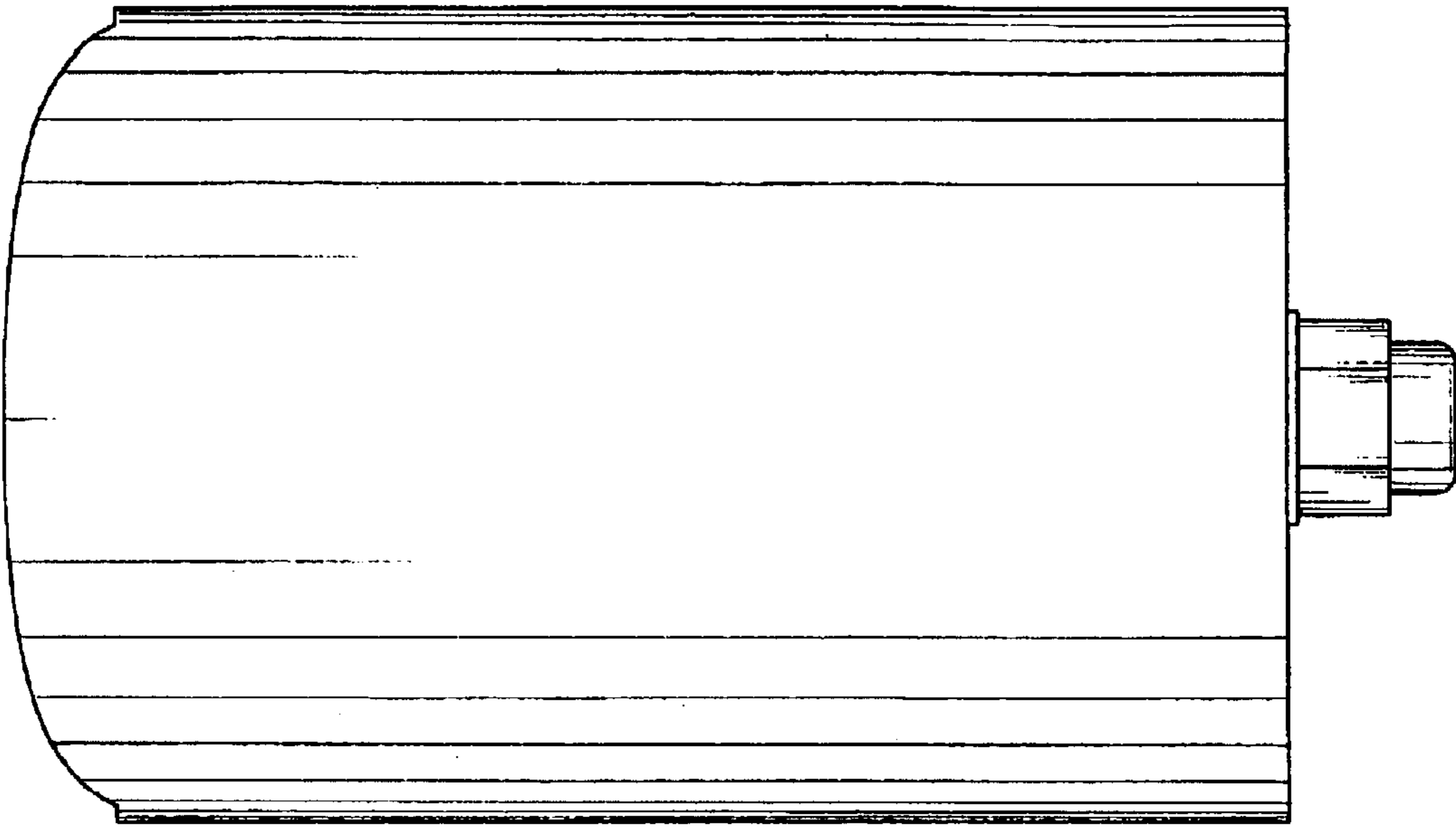


FIG. 6

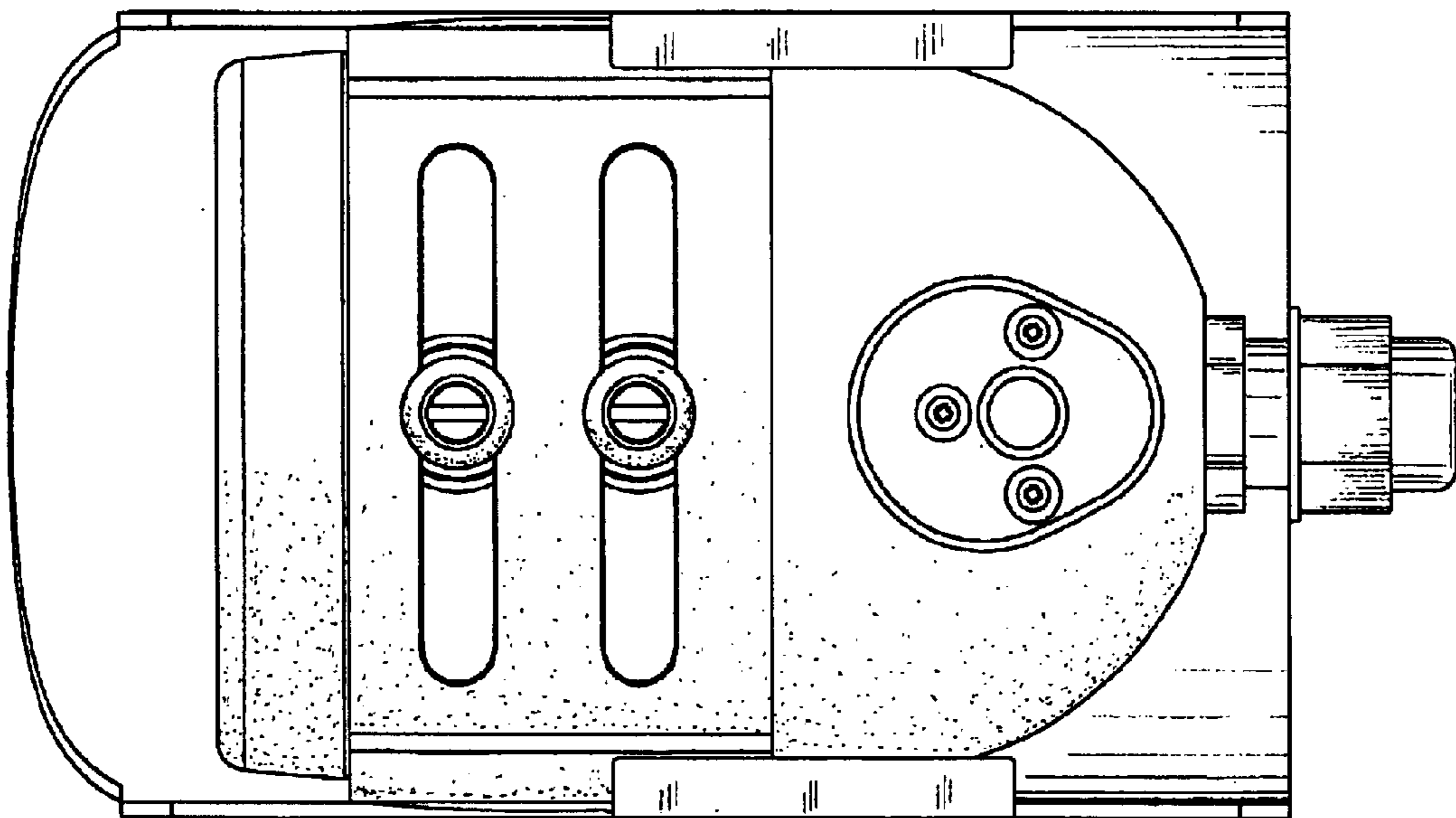


FIG. 7