



US00D497926S1

(12) **United States Design Patent**
Yanagisawa et al.

(10) **Patent No.:** **US D497,926 S**

(45) **Date of Patent:** **** Nov. 2, 2004**

(54) **DIGITAL STILL CAMERA**

(75) Inventors: **Kenji Yanagisawa**, Nagano-ken (JP);
Hirokazu Yamano, Nagano-ken (JP);
Masahiko Kobayashi, Nagano-ken
(JP); **Manabu Kawahara**, Nagano-ken
(JP); **Hideaki Sonehara**, Nagano (JP)

(73) Assignee: **Seiko Epson Corporation**, Tokyo (JP)

(**) Term: **14 Years**

(21) Appl. No.: **29/187,226**

(22) Filed: **Jul. 30, 2003**

(30) **Foreign Application Priority Data**

Jan. 31, 2003 (JP) 2003-002207

(51) **LOC (7) Cl.** **16-01**

(52) **U.S. Cl.** **D16/202; D16/218**

(58) **Field of Search** **D16/200-204,**
D16/208, 209, 218; 348/373-376; 358/909.1;
396/535-541

(56) **References Cited**

U.S. PATENT DOCUMENTS

D456,436 S * 4/2002 Omino D16/202

D457,903 S * 5/2002 Nasu D16/202
D475,384 S * 6/2003 Tanaka D16/202
D478,606 S * 8/2003 Owada D16/202
D481,405 S * 10/2003 Sakaguchi D16/202

* cited by examiner

Primary Examiner—Adir Aronovich

(74) *Attorney, Agent, or Firm*—Sughrue Mion, PLLC

(57) **CLAIM**

The ornamental design for a digital still camera, as shown.

DESCRIPTION

FIG. 1 is a perspective view of the top, front and right side of a digital still camera showing our new design;

FIG. 2 is a perspective view of the top, rear and left side thereof;

FIG. 3 is a front elevational view thereof;

FIG. 4 is a rear elevational view thereof;

FIG. 5 is a left side elevational view thereof;

FIG. 6 is a right side elevational view thereof;

FIG. 7 is a top plan view thereof; and,

FIG. 8 is a bottom plan view thereof.

1 Claim, 4 Drawing Sheets

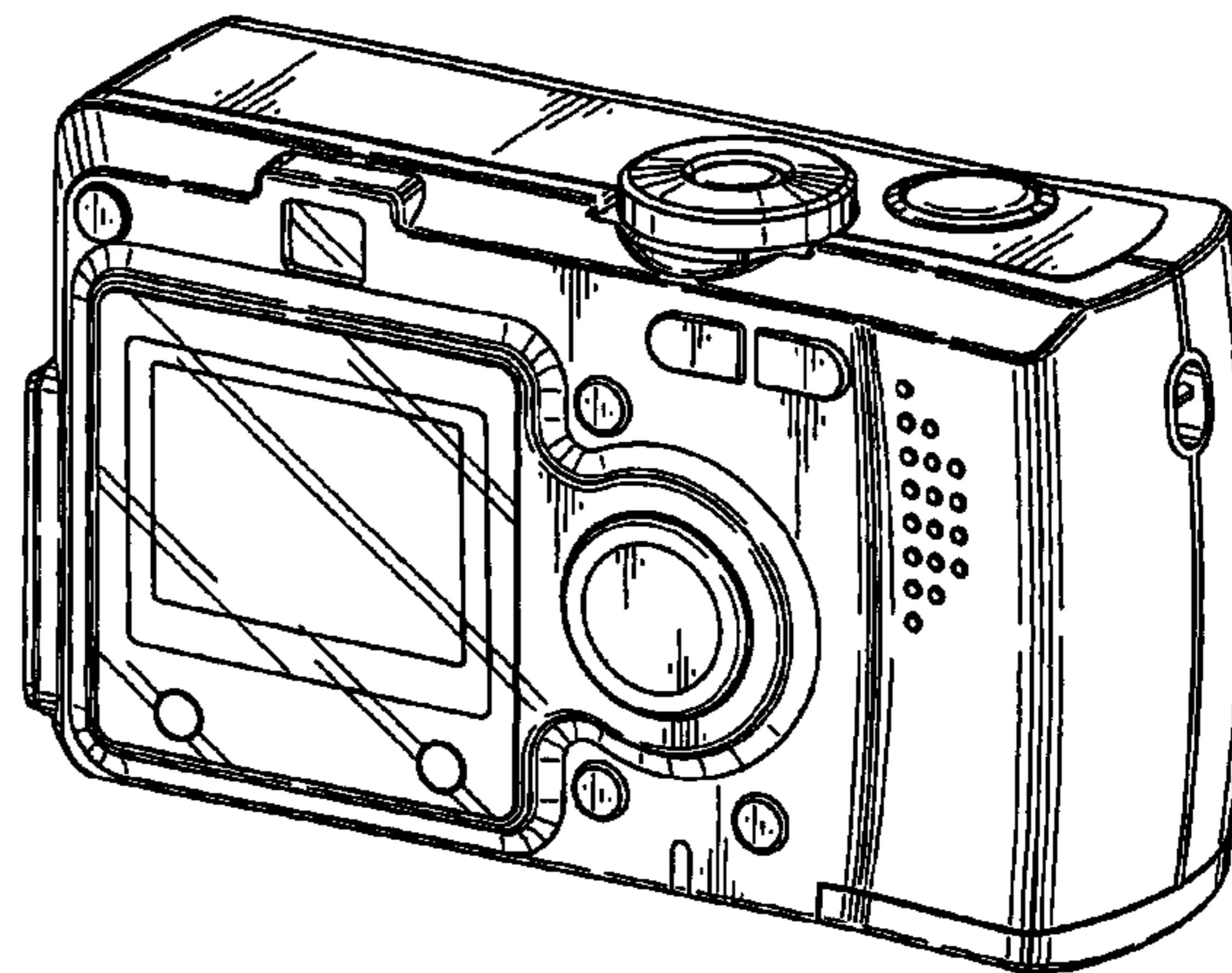
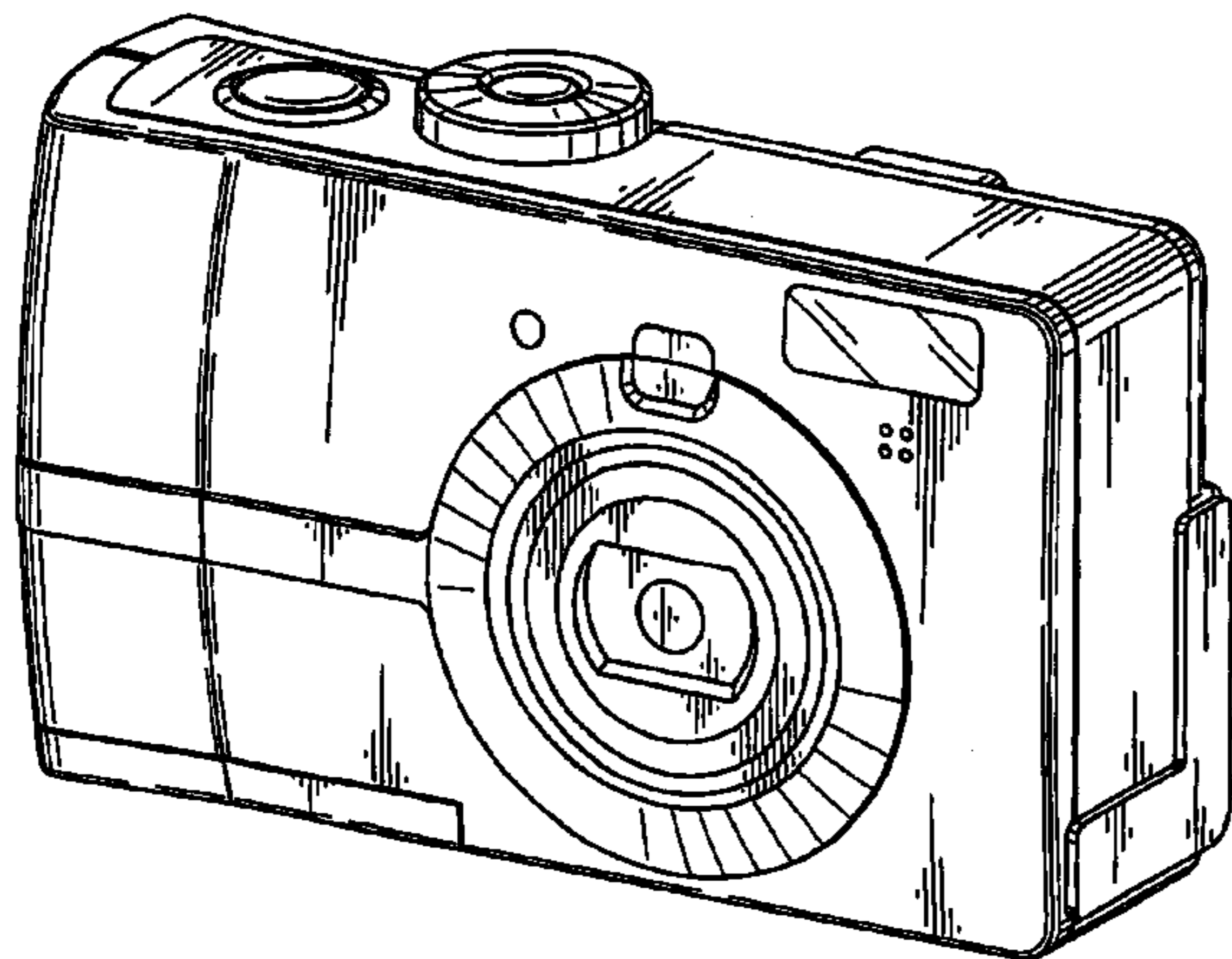


FIG. 1

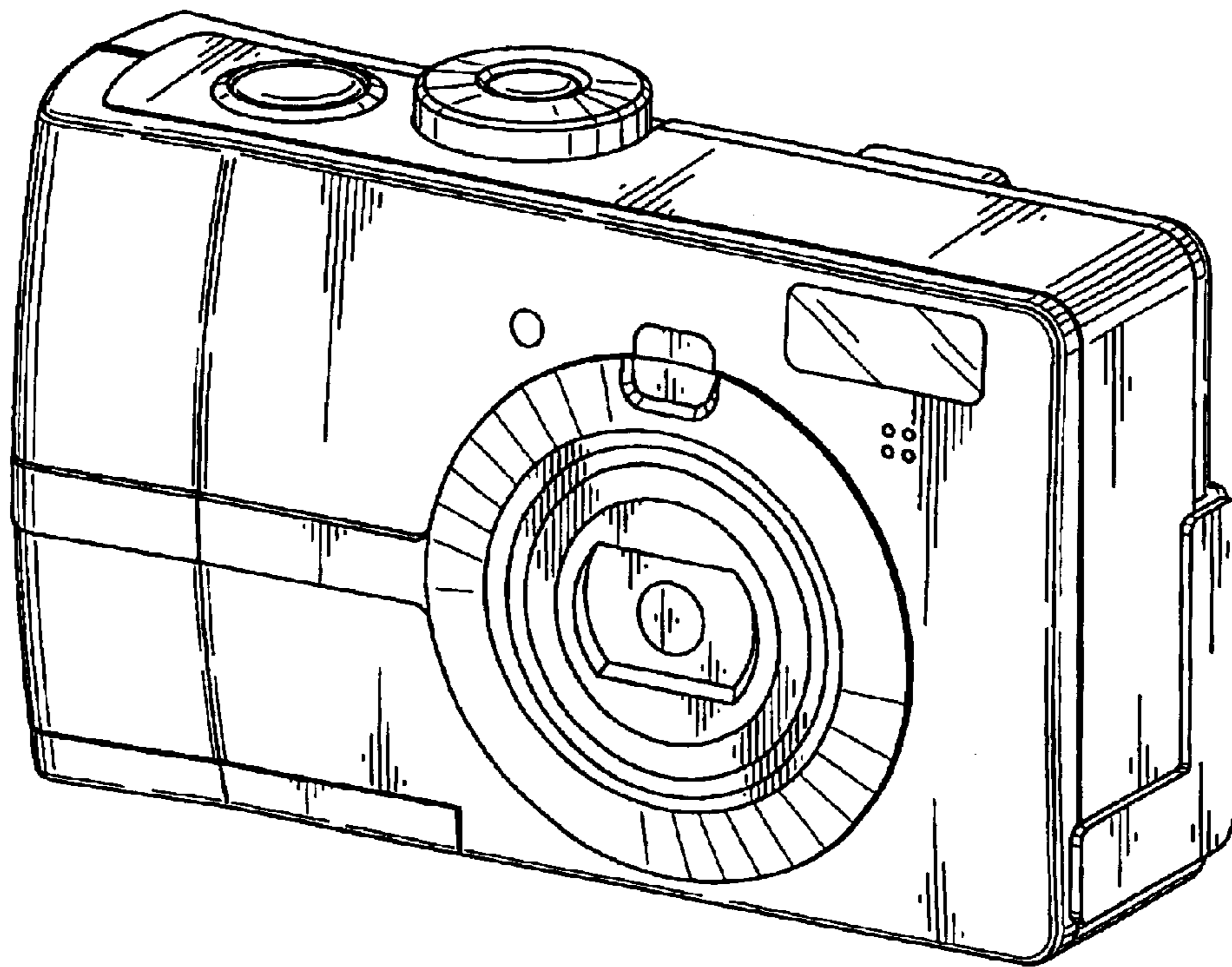


FIG. 2

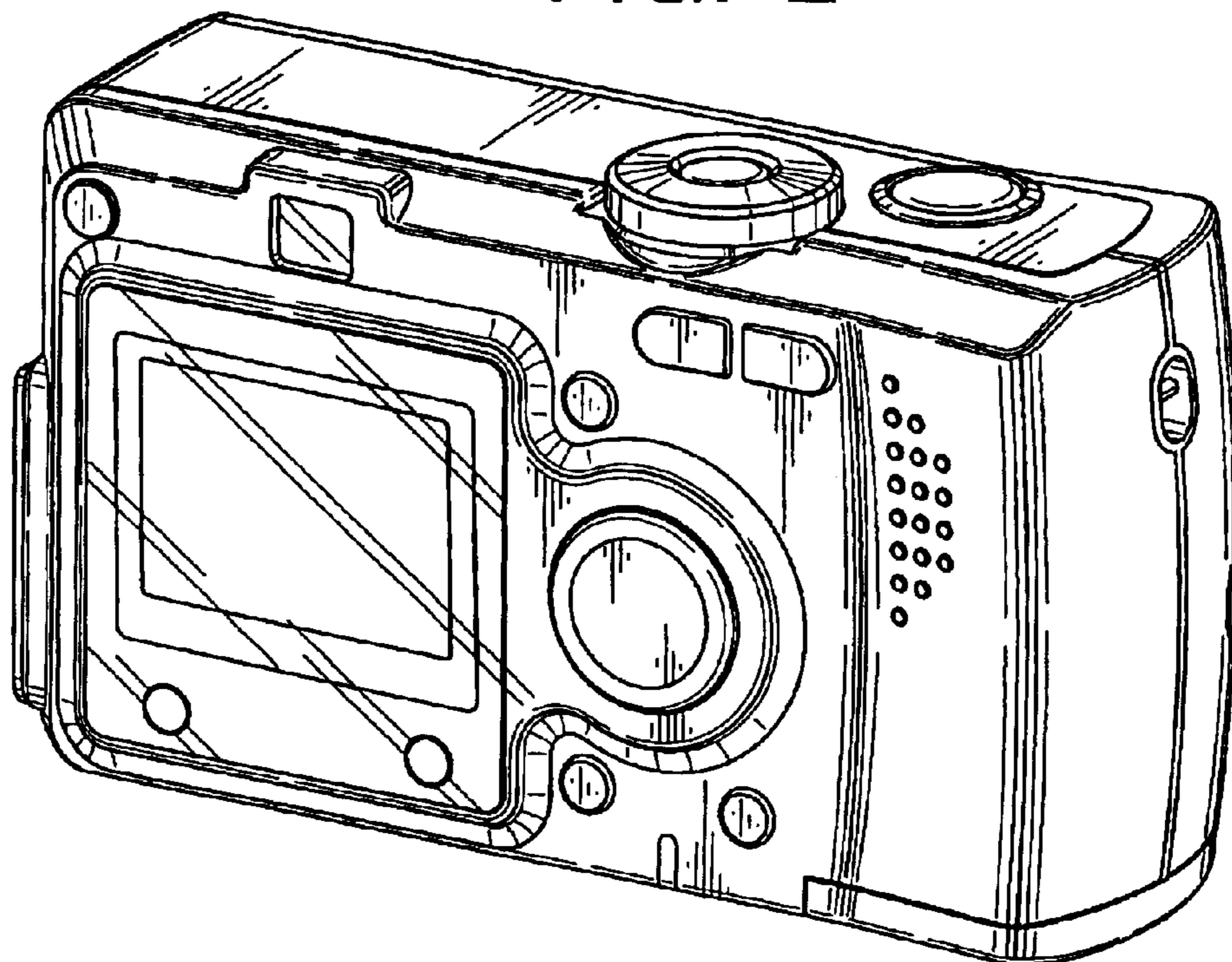


FIG. 3

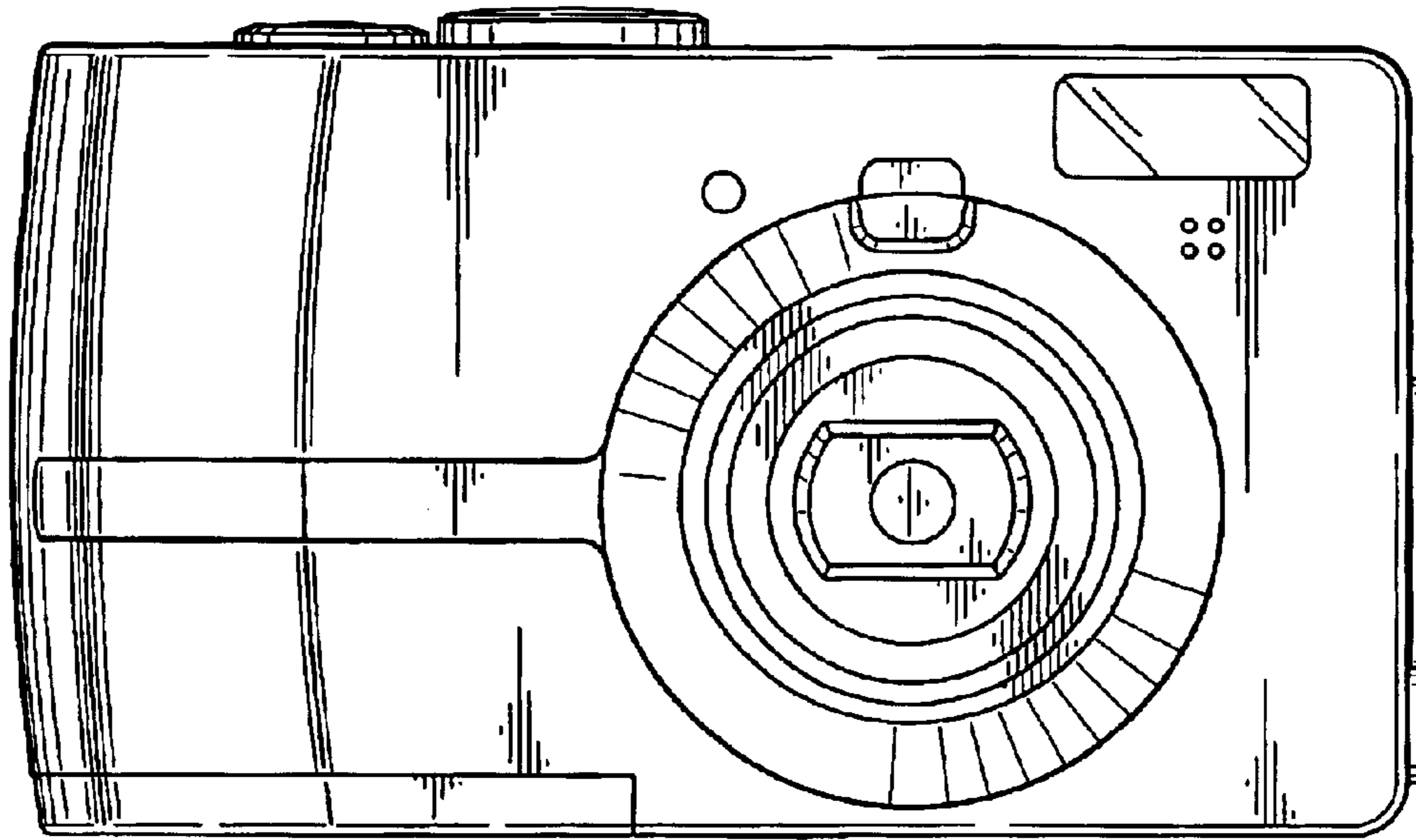


FIG. 4

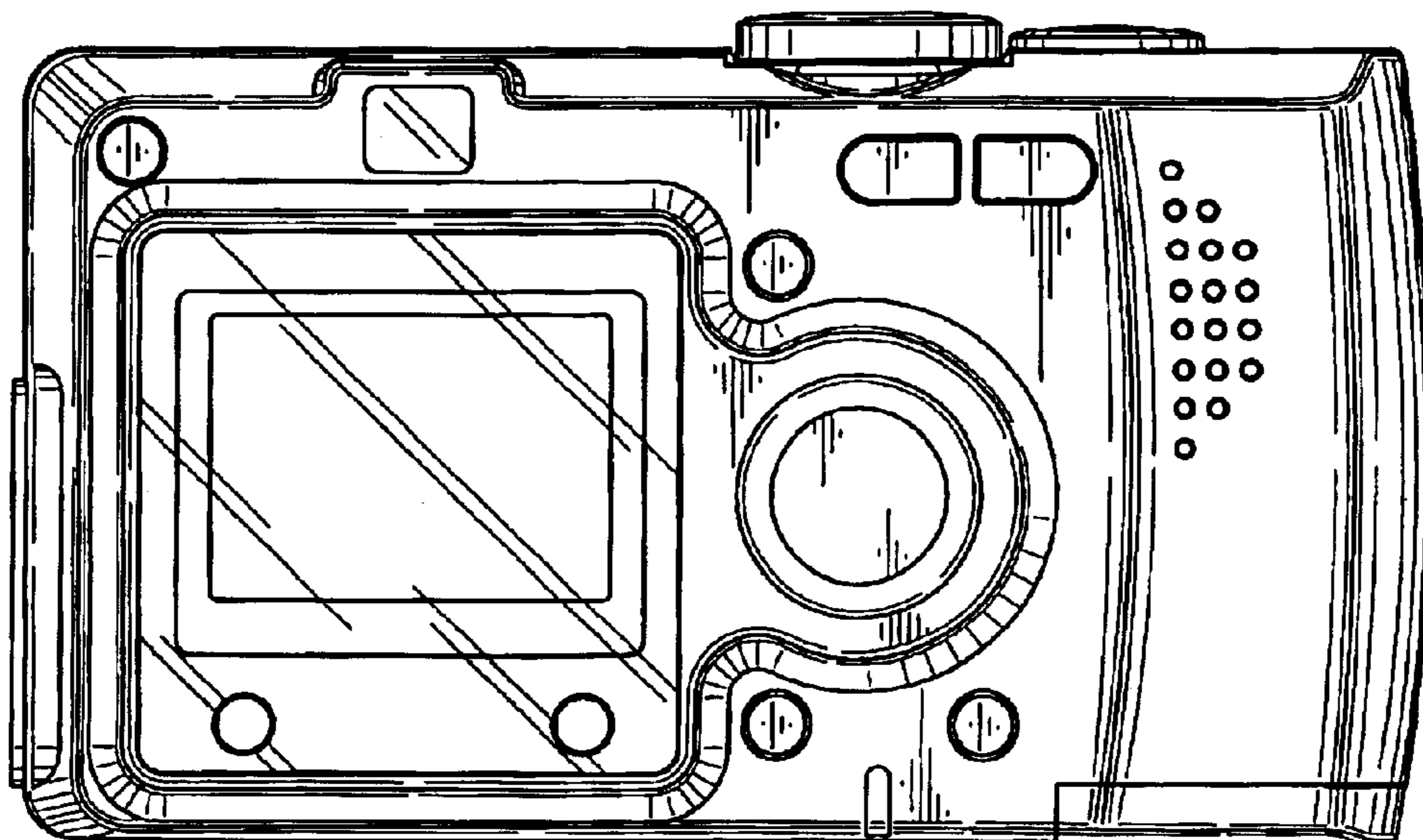


FIG. 5

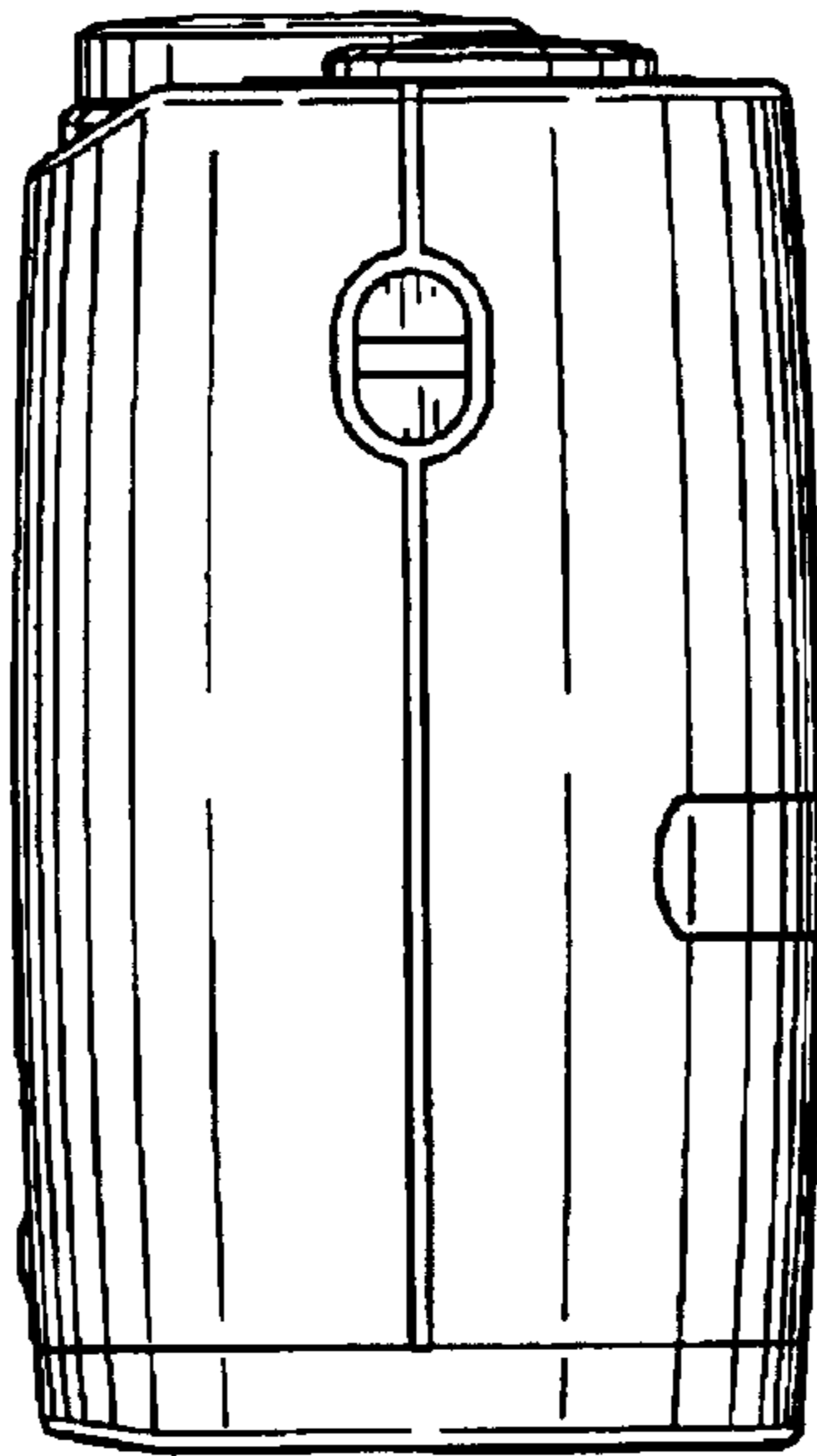


FIG. 6

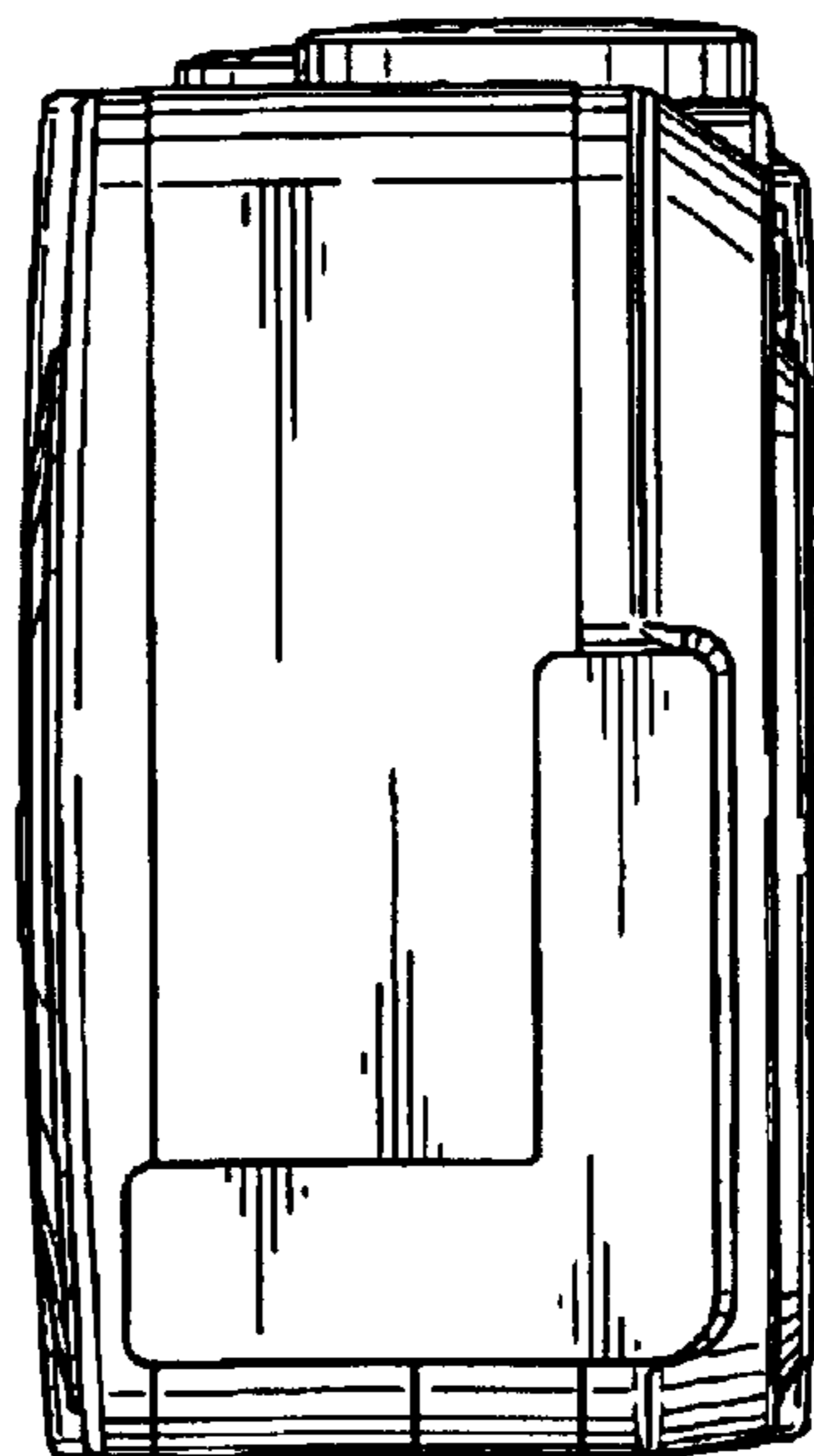


FIG. 7

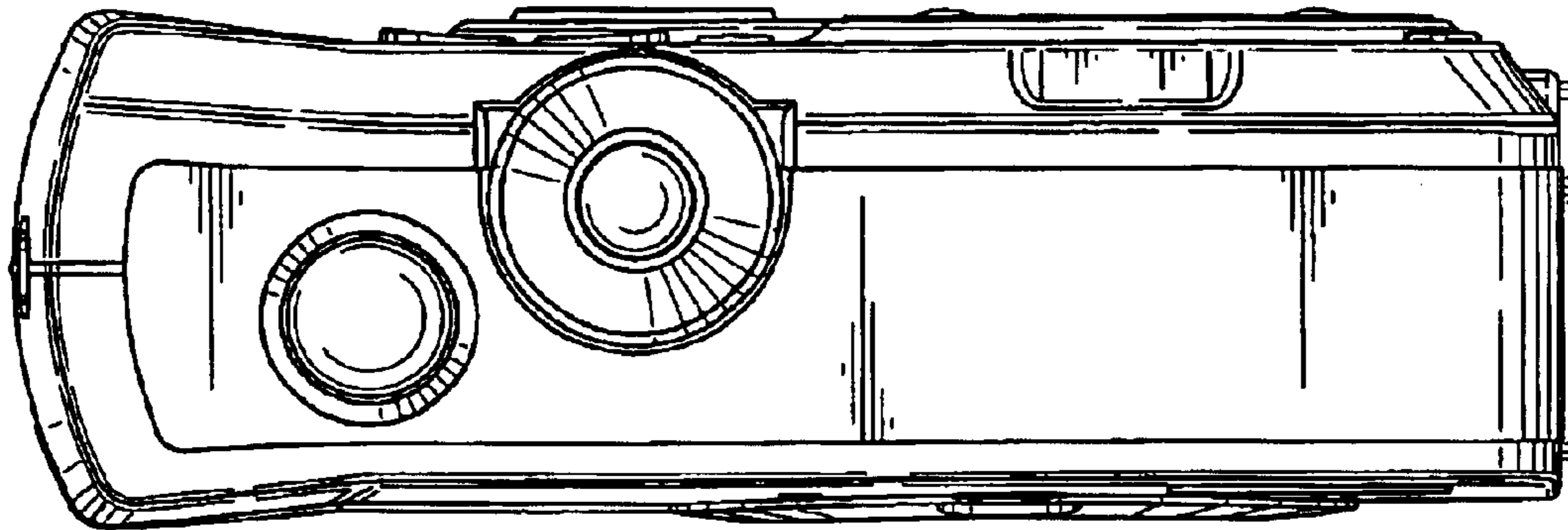


FIG. 8

