

US00D497925S1

(12) **United States Design Patent**  
**Zhang et al.**

(10) **Patent No.:** **US D497,925 S**

(45) **Date of Patent:** **\*\* Nov. 2, 2004**

(54) **VIDEO CONFERENCING TERMINAL**

(75) Inventors: **Jinsong Zhang**, Guangdong (CN);  
**Ning Yang**, Guangdong (CN)

(73) Assignee: **Huawei Technologies Co., Ltd.**,  
Shenzhen (CN)

(\*\*) Term: **14 Years**

(21) Appl. No.: **29/183,363**

(22) Filed: **Jun. 11, 2003**

(30) **Foreign Application Priority Data**

Dec. 11, 2002 (CN) ..... 02380928

(51) **LOC (7) Cl.** ..... **16-01**

(52) **U.S. Cl.** ..... **D16/202**

(58) **Field of Search** ..... D16/200–205,  
D16/208, 218; 348/14.01–14.1, 14.11, 143,  
373–376; 358/906; 396/427, 535, 536–541

(56) **References Cited**

**U.S. PATENT DOCUMENTS**

D394,255 S \* 5/1998 Napoleone et al. .... D14/496

D400,549 S \* 11/1998 Wakefield ..... D16/202  
5,900,907 A \* 5/1999 Malloy et al. .... 348/14.1  
D433,431 S \* 11/2000 Uehara et al. .... D16/202  
D470,873 S \* 2/2003 Hovanky et al. .... D16/202  
D471,219 S \* 3/2003 Hovanky et al. .... D16/202  
D471,573 S \* 3/2003 Hovanky et al. .... D16/202

\* cited by examiner

*Primary Examiner*—Adir Aronovich

(74) *Attorney, Agent, or Firm*—Alston & Bird LLP

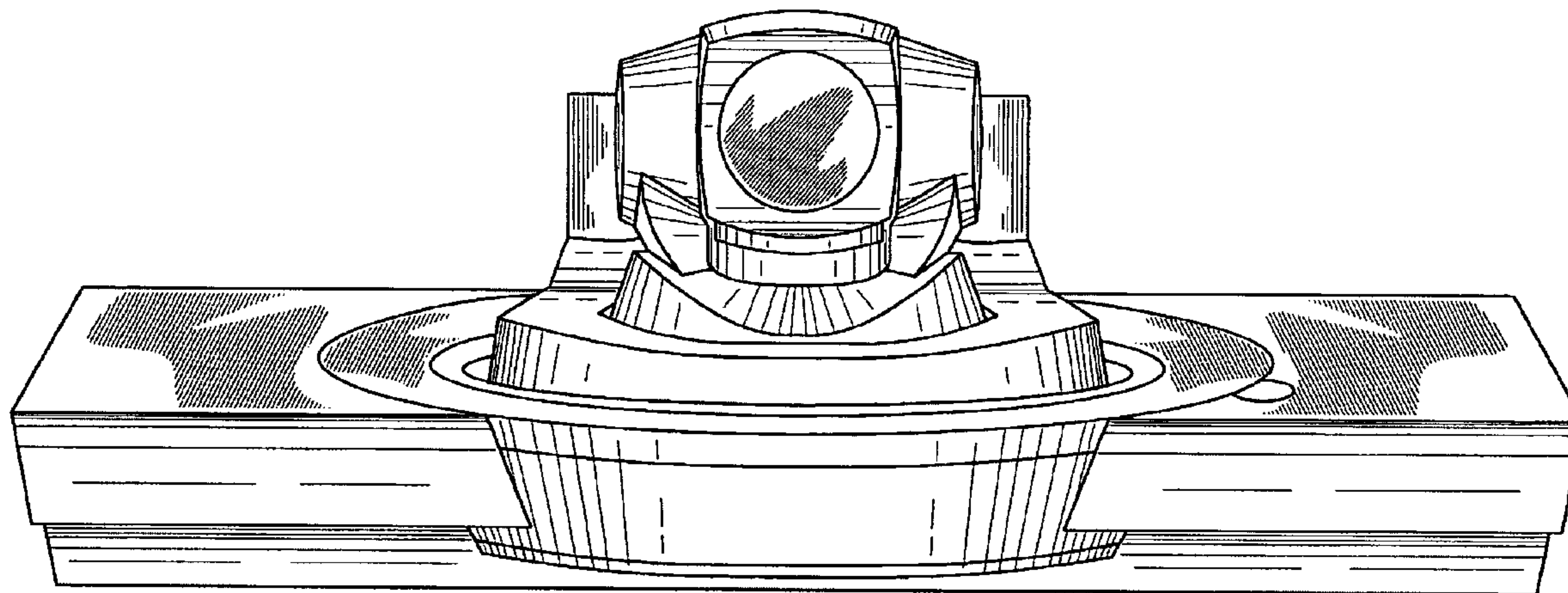
(57) **CLAIM**

The ornamental design for a video conferencing terminal, as shown and described.

**DESCRIPTION**

FIG. 1 is a front perspective view of a video conferencing terminal showing our new design;  
FIG. 2 is a right side elevational view thereof;  
FIG. 3 is a front elevational view thereof;  
FIG. 4 is a top plan view thereof;  
FIG. 5 is a bottom plan view thereof;  
FIG. 6 is a left side elevational view thereof; and,  
FIG. 7 is a rear elevational view thereof.

**1 Claim, 5 Drawing Sheets**



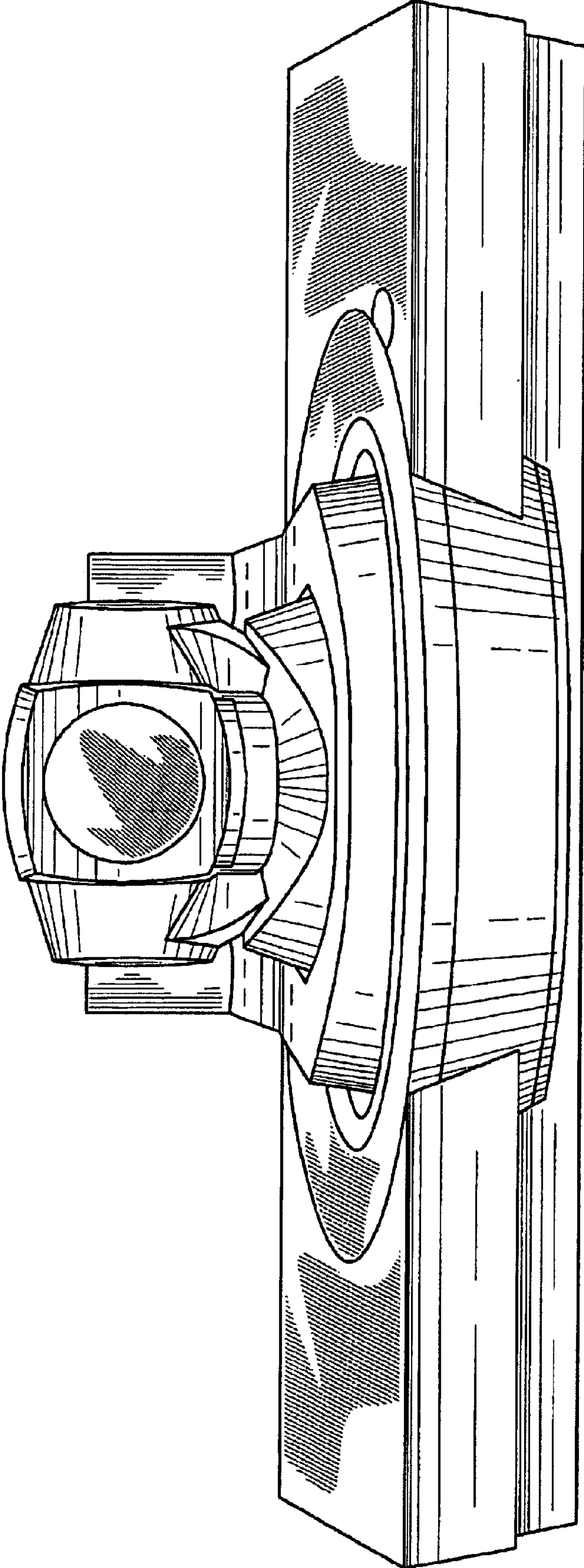


FIG. 1

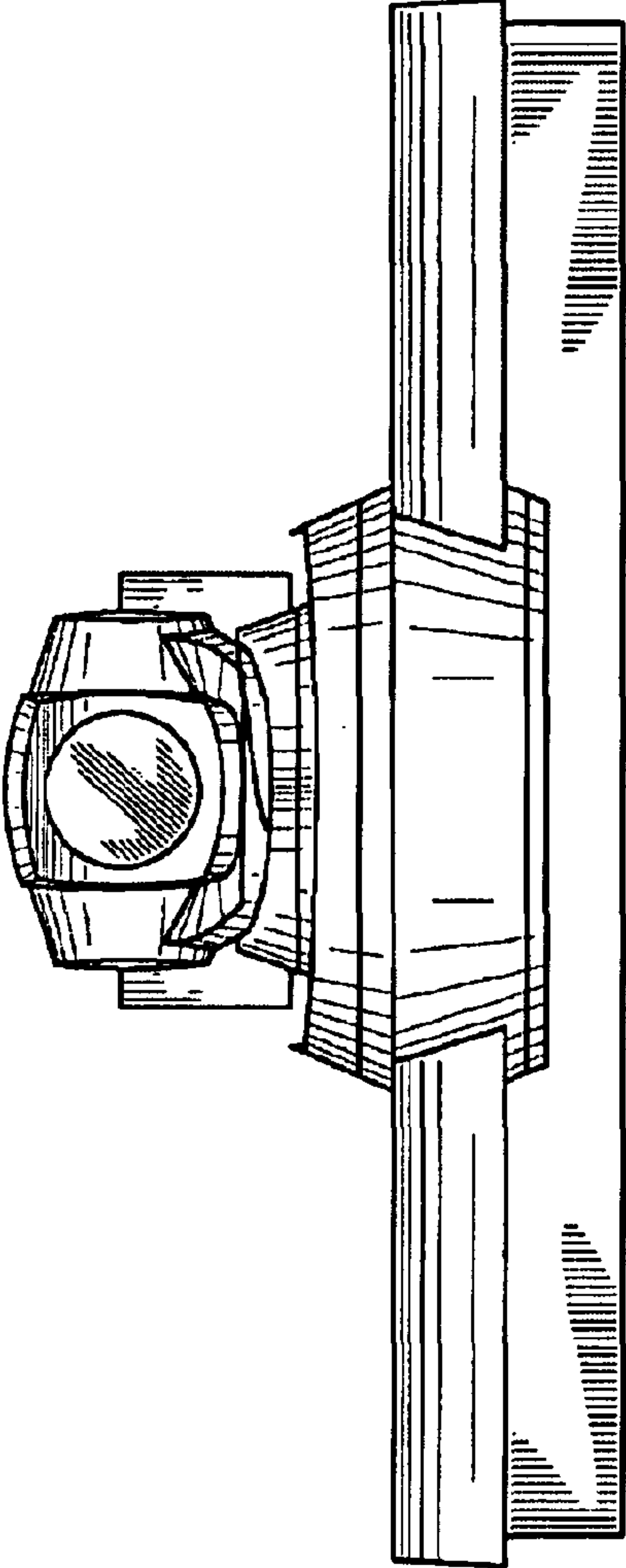


FIG. 3

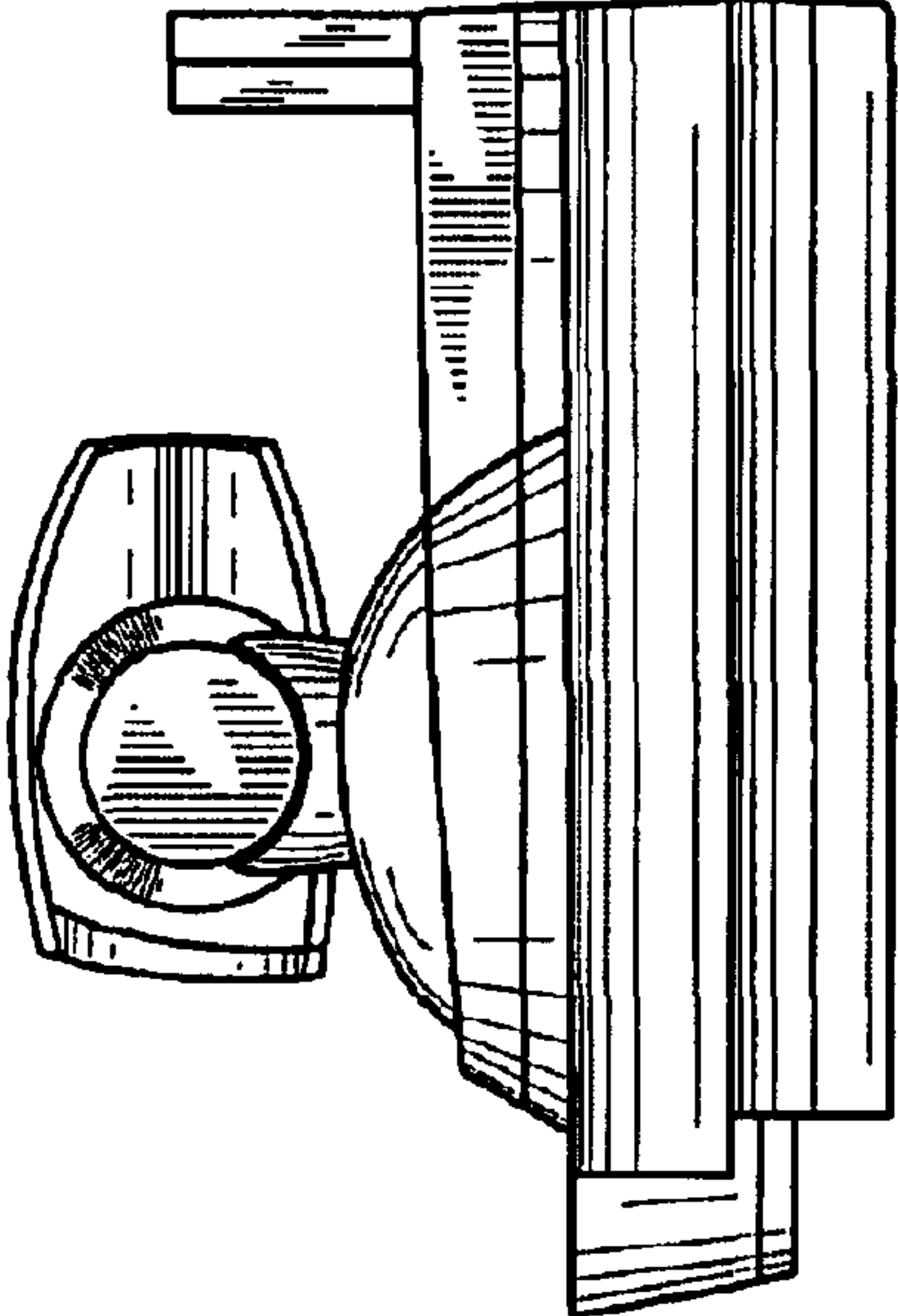


FIG. 2

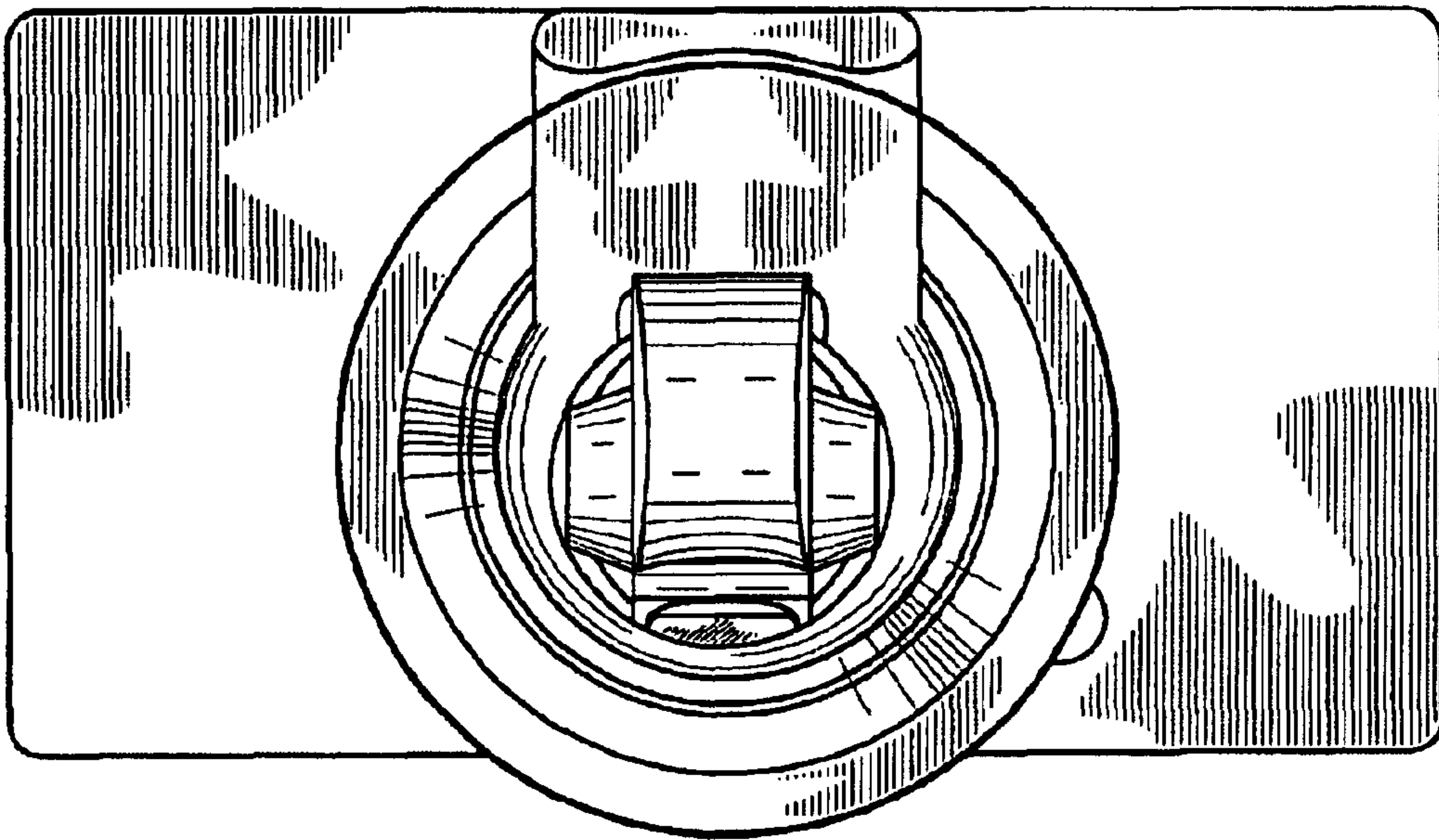


FIG. 4



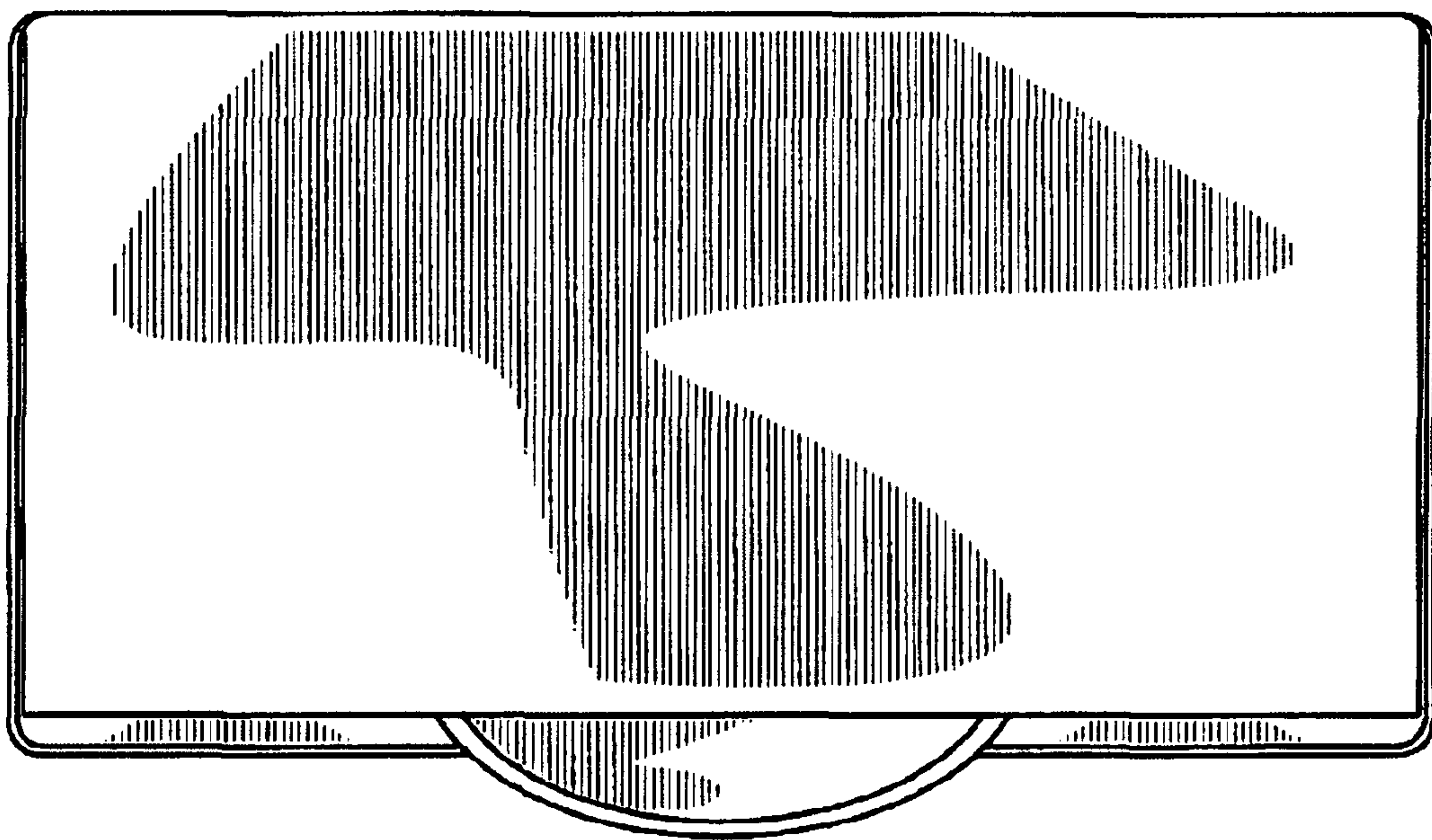


FIG. 5

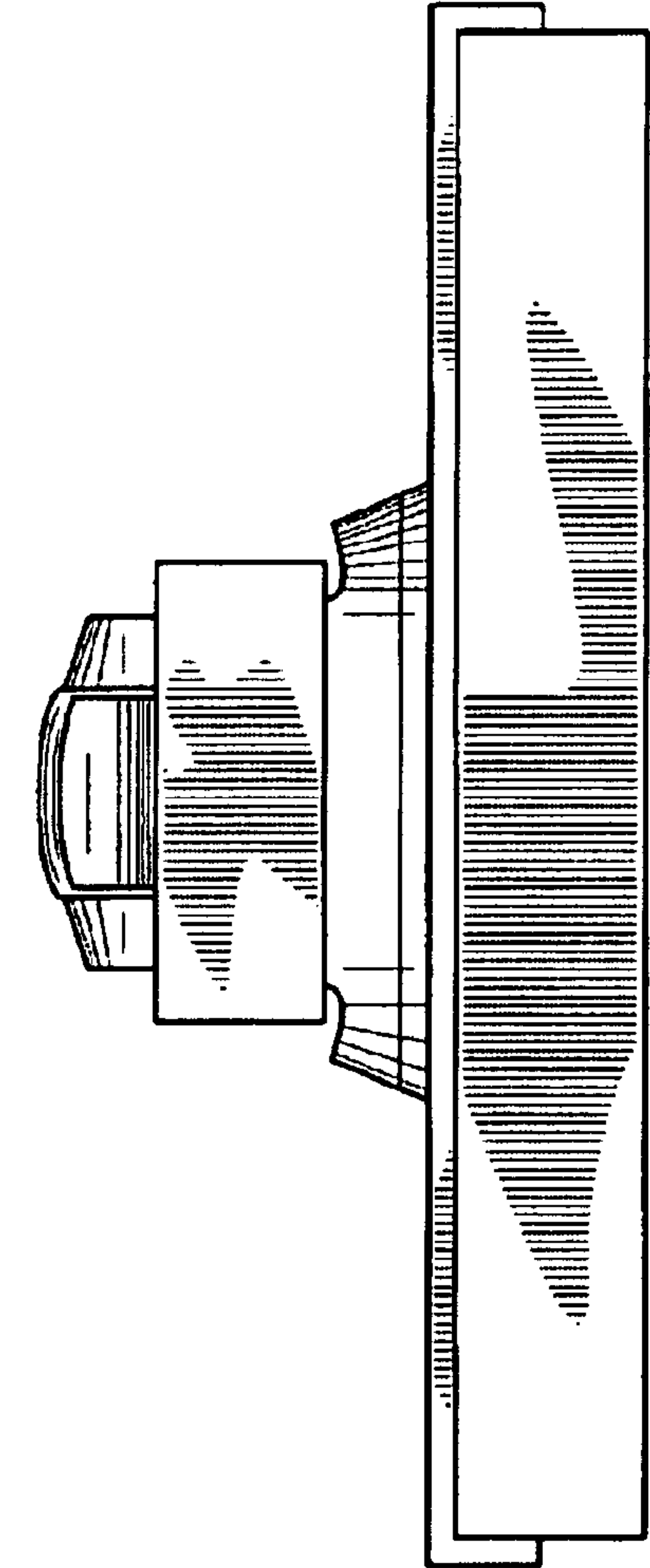


FIG. 6

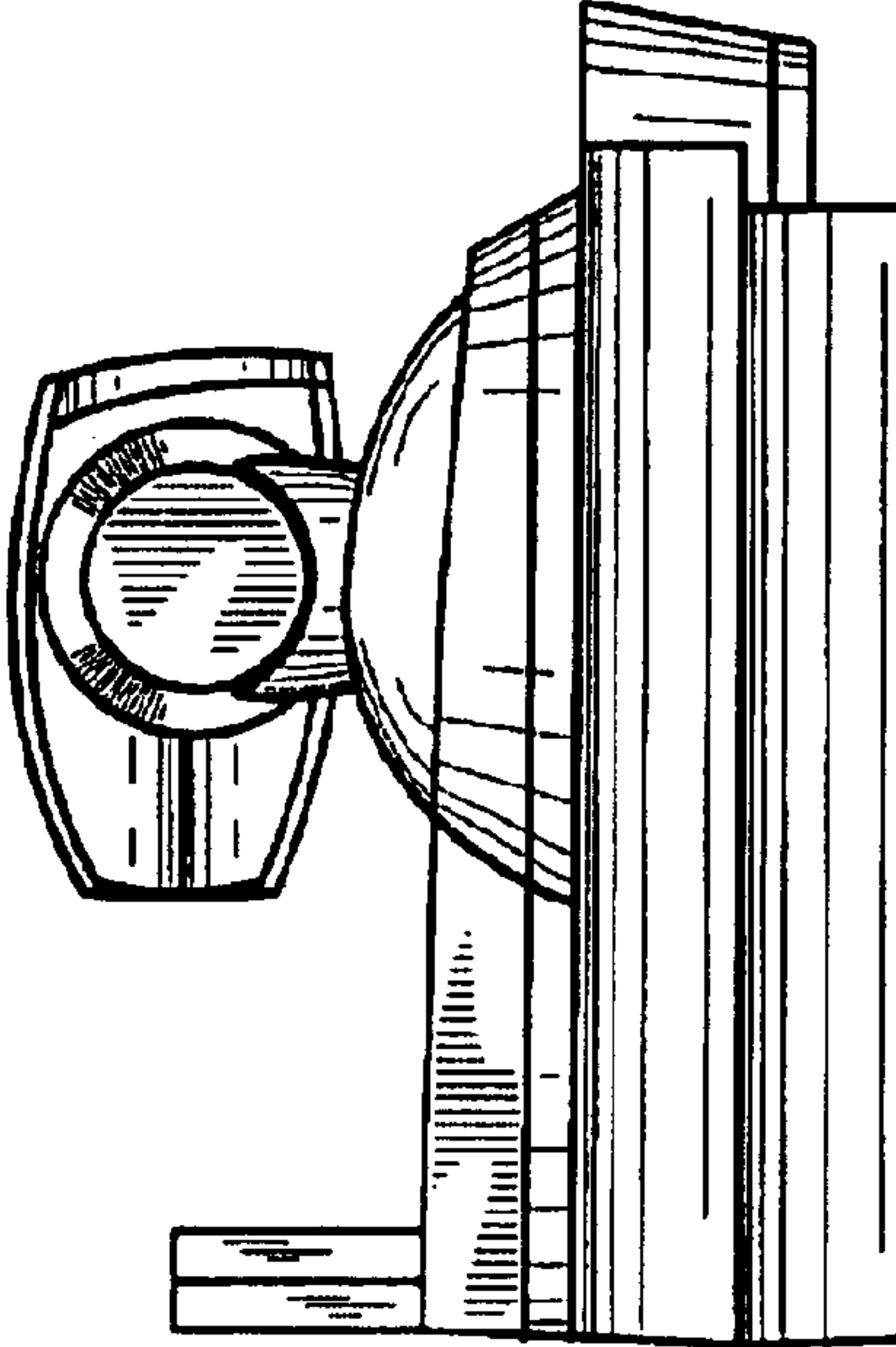


FIG. 7