

US00D497917S1

(12) **United States Design Patent**
Harper et al.

(10) **Patent No.: US D497,917 S**
(45) **Date of Patent: ** Nov. 2, 2004**

(54) **COMPRESSOR SHROUD**

(75) Inventors: **Douglas R. Harper**, Harrison, OH (US); **Tony Michael Guard**, Union, KY (US); **Matthew D. Bantly**, Cincinnati, OH (US)

(73) Assignee: **Campbell Hausfeld/Scott Fetzer Company**, Harrison, OH (US)

(**) Term: **14 Years**

(21) Appl. No.: **29/187,142**

(22) Filed: **Jul. 28, 2003**

(51) **LOC (7) Cl.** **15-02**

(52) **U.S. Cl.** **D15/9**

(58) **Field of Search** D15/7-9; 417/321, 417/410, 413.1, 415, 423.3, 486, 521, 534; 415/148

(56) **References Cited**

U.S. PATENT DOCUMENTS

D293,446 S	*	12/1987	Morgan	D15/9
D293,585 S	*	1/1988	Morgan	D15/9
D352,293 S	*	11/1994	Morgan	D15/9
D352,295 S	*	11/1994	Morgan	D15/9
D444,798 S	*	7/2001	Morgan	D15/9

D472,560 S	*	4/2003	Shiau	D15/9
D478,095 S	*	8/2003	Reger	D15/9
D484,514 S	*	12/2003	Hsiao	D15/9
D484,890 S	*	1/2004	Hsiao	D15/9
D484,892 S	*	1/2004	Hsiao	D15/9
D484,893 S	*	1/2004	Hsiao	D15/9
D485,281 S	*	1/2004	Hsiao	D15/9

* cited by examiner

Primary Examiner—Ralf Seifert

(74) *Attorney, Agent, or Firm*—Jones Day

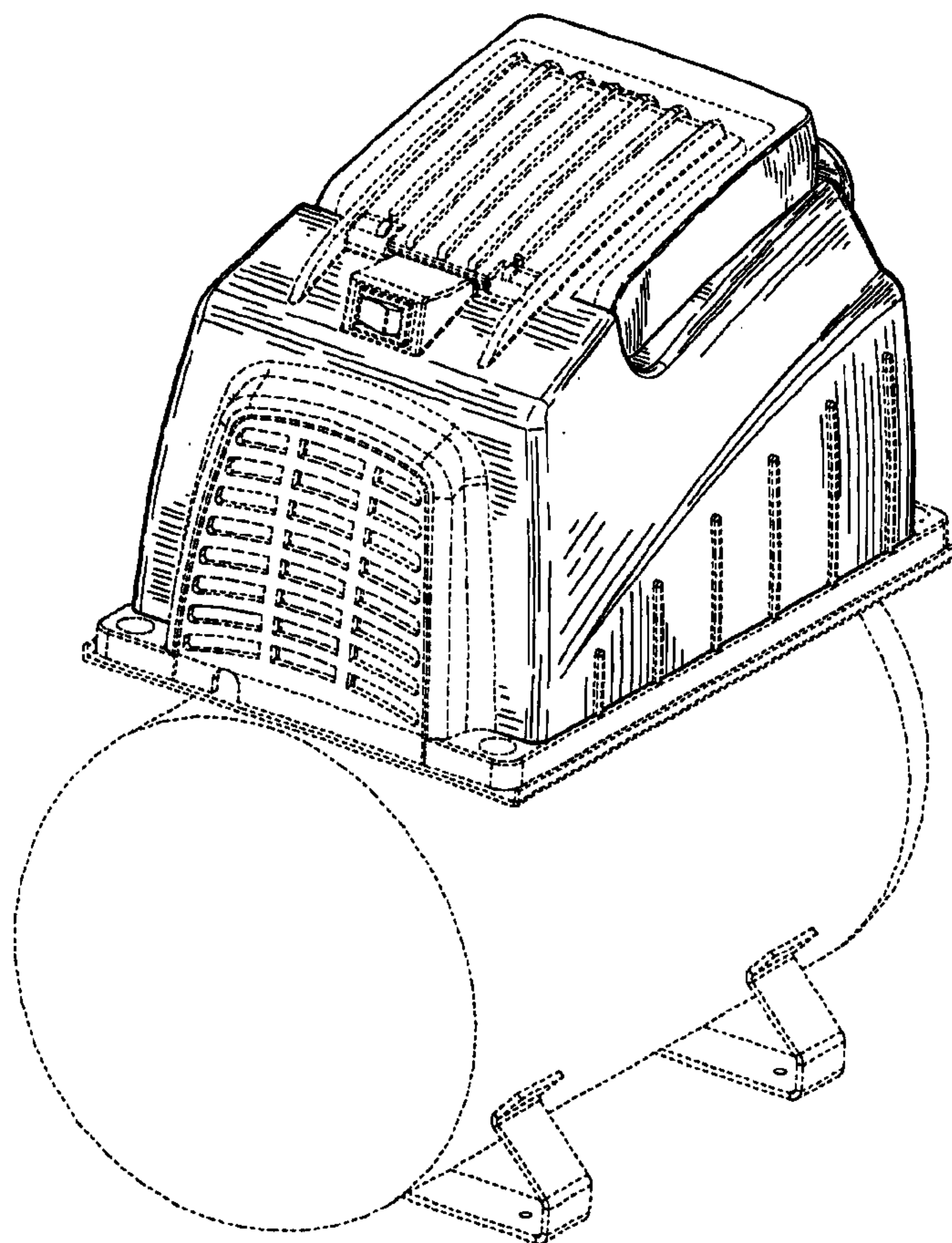
(57) **CLAIM**

We claim the ornamental design for a compressor shroud, as shown and described.

DESCRIPTION

FIG. 1 is a perspective view of a compressor that includes a compressor shroud embodying the ornamental design of the present invention; FIG. 2 is a top view of the shroud; FIG. 3 is a side view of the shroud, the opposite side view being a mirror image; FIG. 4 is a front view of the shroud; and, FIG. 5 is a rear view of the shroud. The broken lines in FIGS. 1-5 are for illustrative purposes only and form no part of the claimed design.

1 Claim, 4 Drawing Sheets



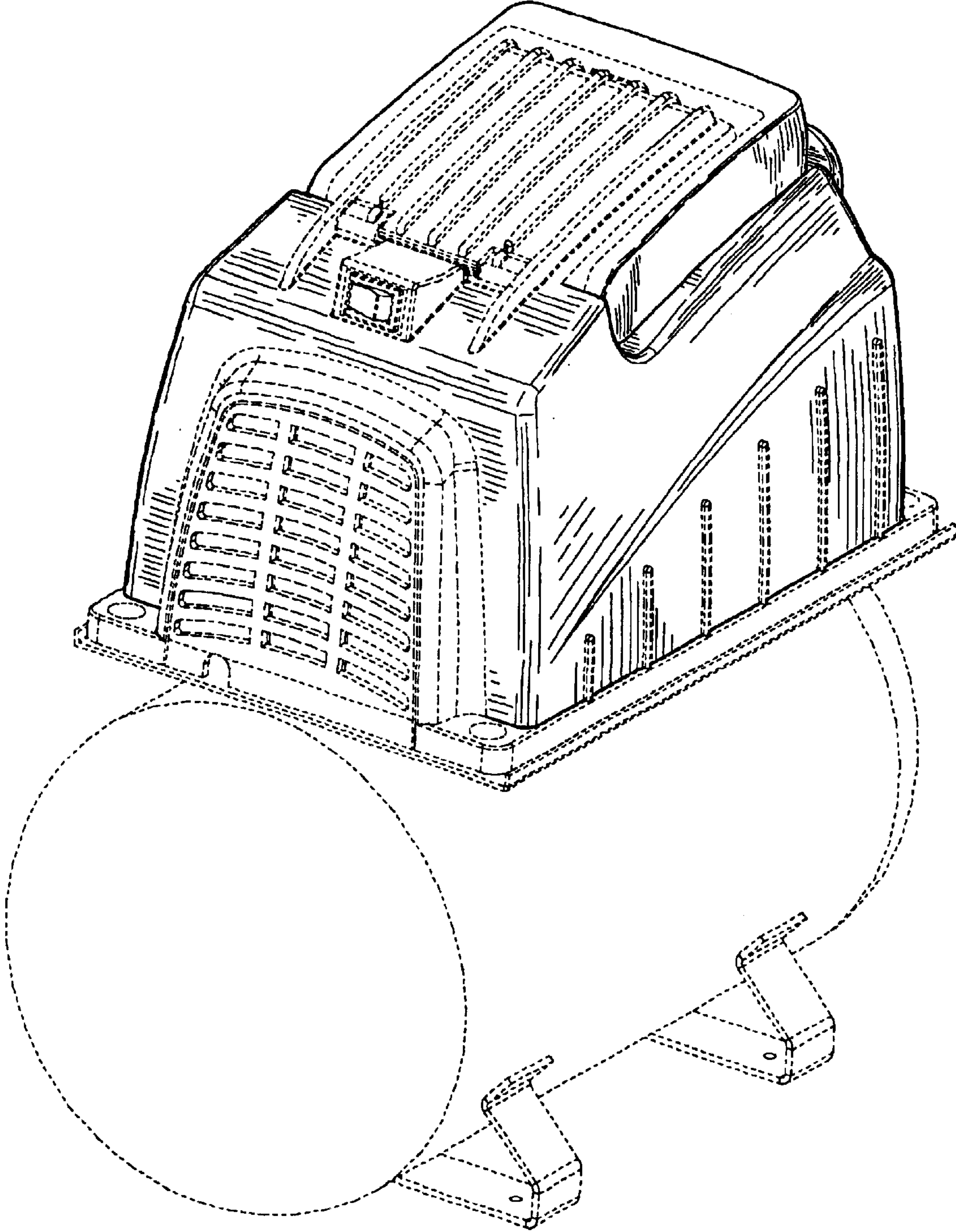


Fig.1

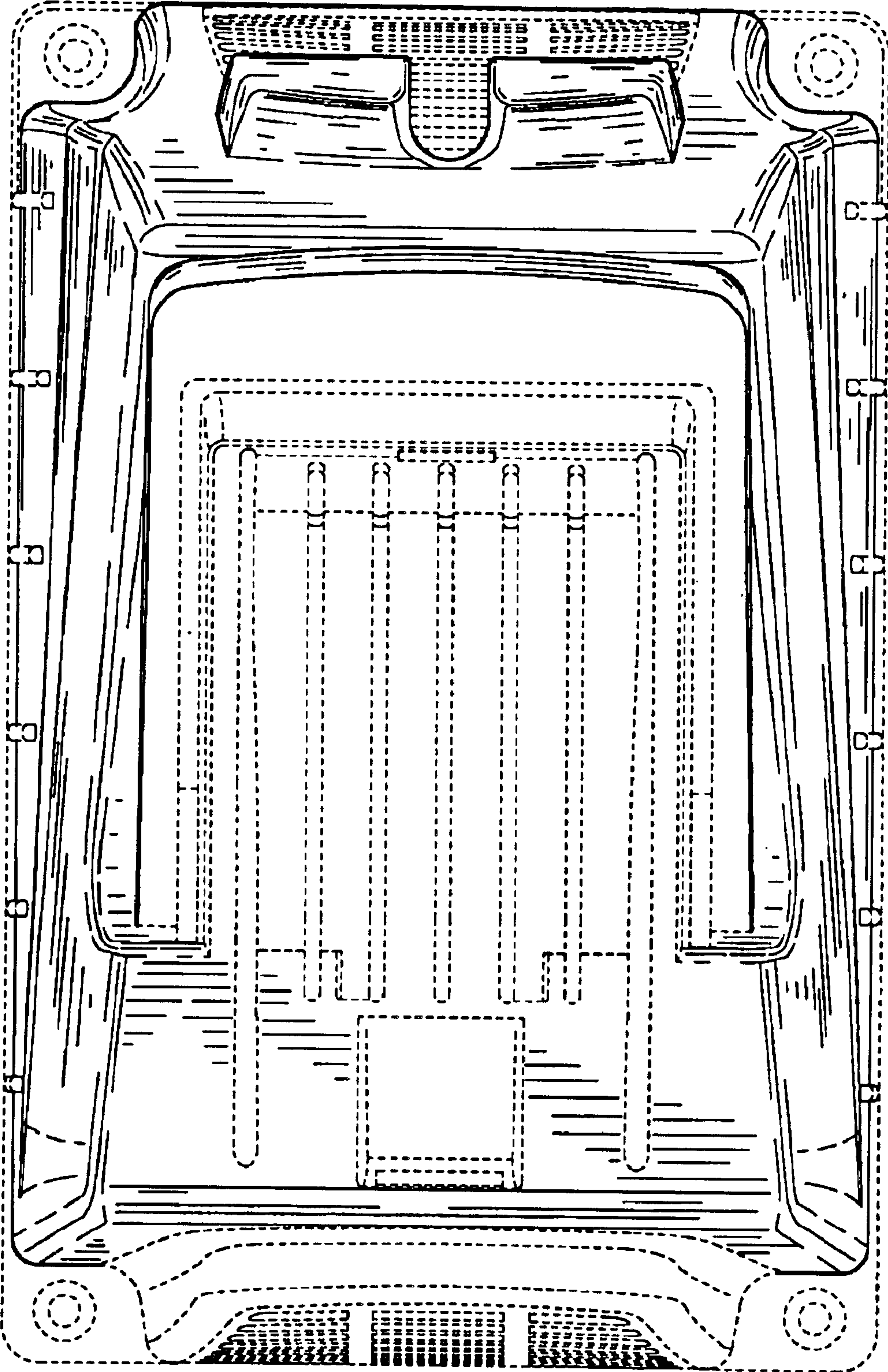


Fig.2

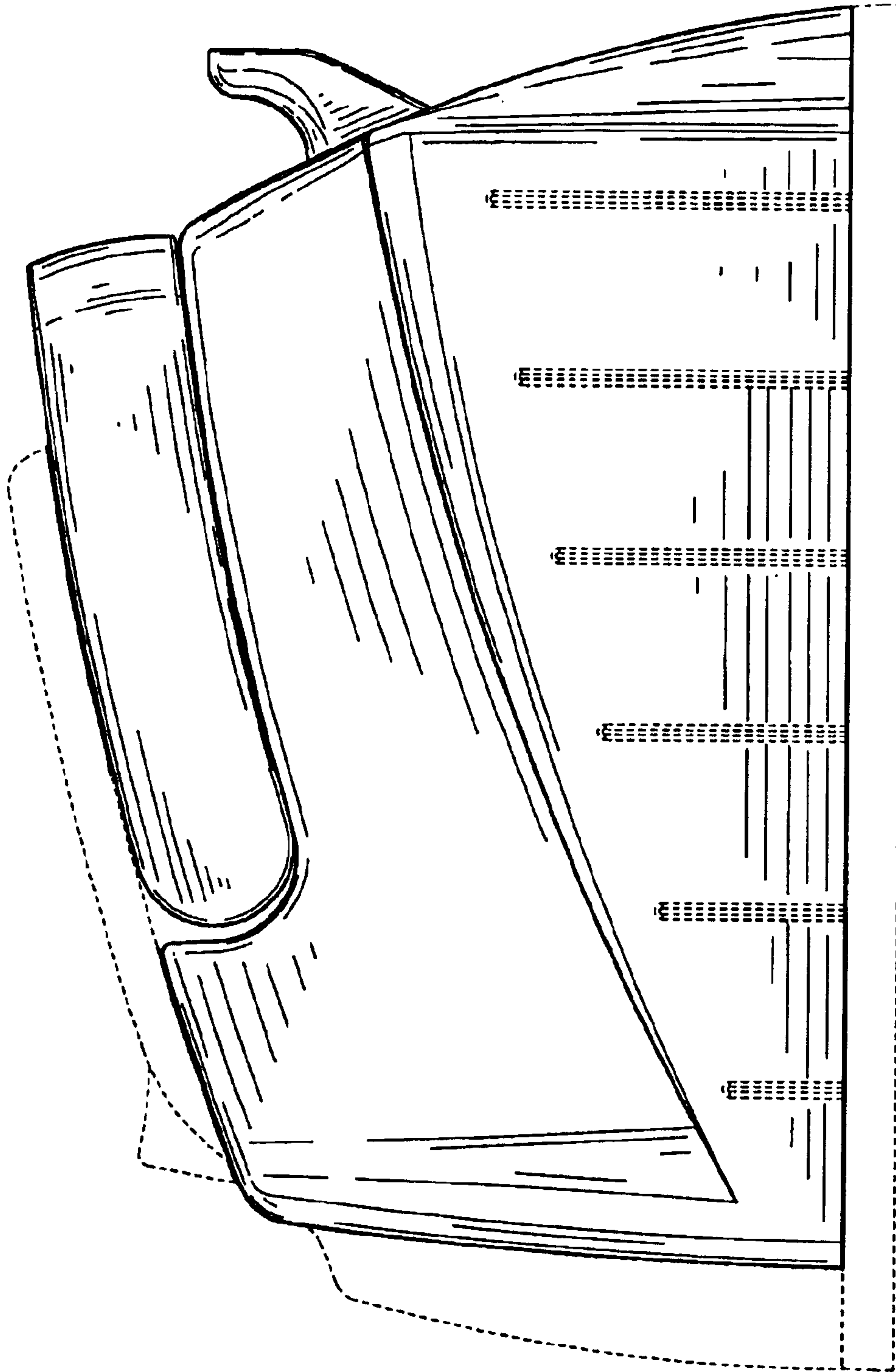


Fig.3

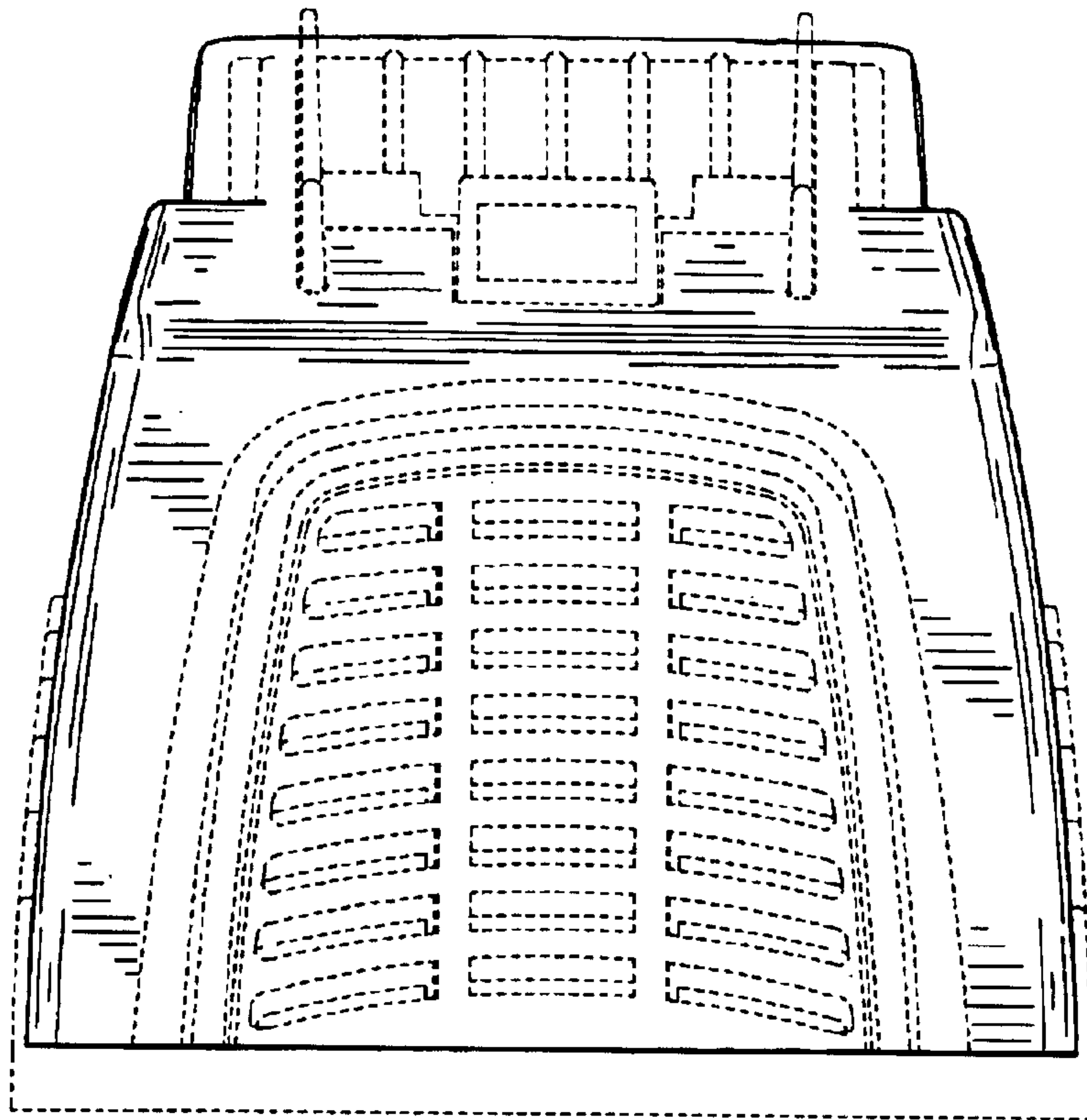


Fig.4

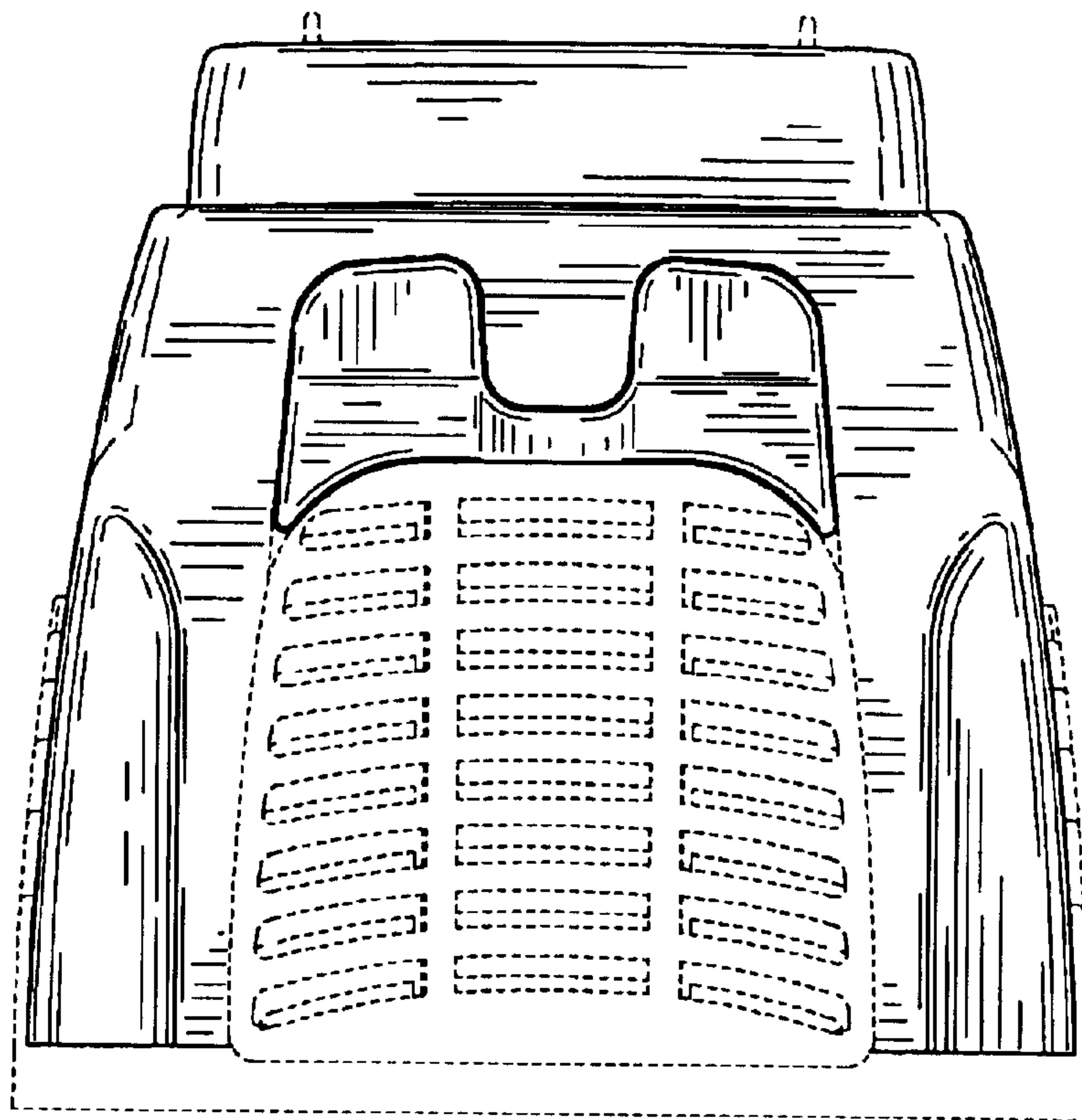


Fig.5