



US00D497916S1

(12) **United States Design Patent**
Tsai

(10) **Patent No.:** **US D497,916 S**

(45) **Date of Patent:** **** Nov. 2, 2004**

(54) **PUMP**

(76) **Inventor:** **Lung-Po Tsai, Taipei Hsien (TW)**

(**) **Term:** **14 Years**

(21) **Appl. No.:** **29/192,149**

(22) **Filed:** **Oct. 21, 2003**

(51) **LOC (7) Cl.** **15-02**

(52) **U.S. Cl.** **D15/7**

(58) **Field of Search** D15/7-9; 417/321,
417/410, 413.1, 415, 423.3, 486, 521, 534;
415/148

(56) **References Cited**

U.S. PATENT DOCUMENTS

D405,806 S	*	2/1999	Poon	D15/7
D422,601 S	*	4/2000	Bonzer	D15/7
D425,914 S	*	5/2000	Tsai	D15/7
D443,282 S	*	6/2001	Tsai	D15/7
D453,342 S	*	2/2002	Wu	D15/7

D453,524 S	*	2/2002	Wu	D15/7
D486,159 S	*	2/2004	Poon	D15/7
D487,752 S	*	3/2004	Tsai	D15/7
D491,196 S	*	6/2004	Poon	D15/7

* cited by examiner

Primary Examiner—Ralf Seifert

(74) *Attorney, Agent, or Firm*—Bacon & Thomas PLLC

(57) **CLAIM**

The ornamental design for a pump, as shown.

DESCRIPTION

FIG. 1 is a perspective view of a pump, showing my new design;

FIG. 2 is a front elevational view thereof;

FIG. 3 is a rear elevational view thereof;

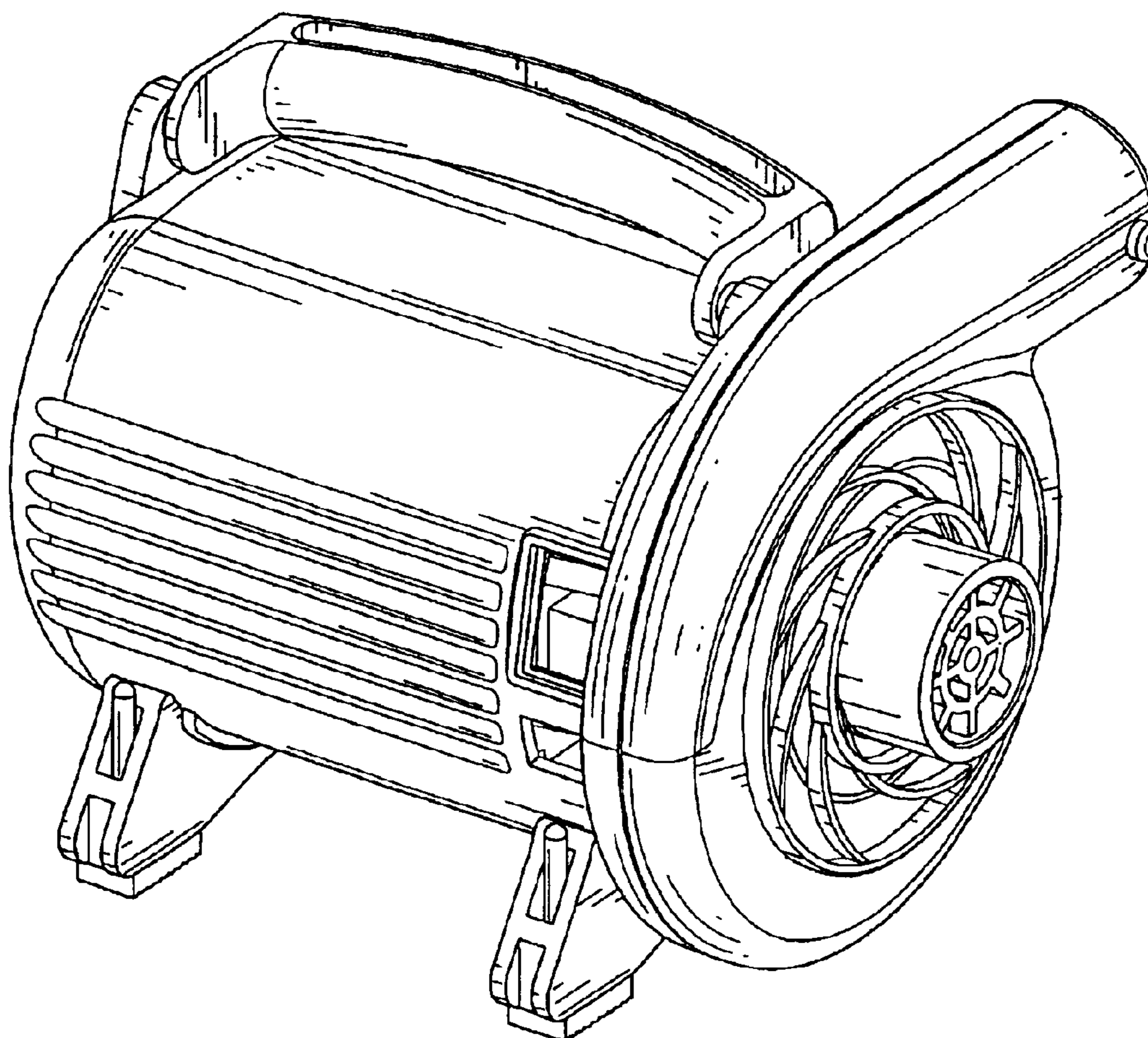
FIG. 4 is a left side elevational view thereof;

FIG. 5 is a right side elevational view thereof;

FIG. 6 is a top plan view thereof; and,

FIG. 7 is a bottom plan view thereof.

1 Claim, 7 Drawing Sheets



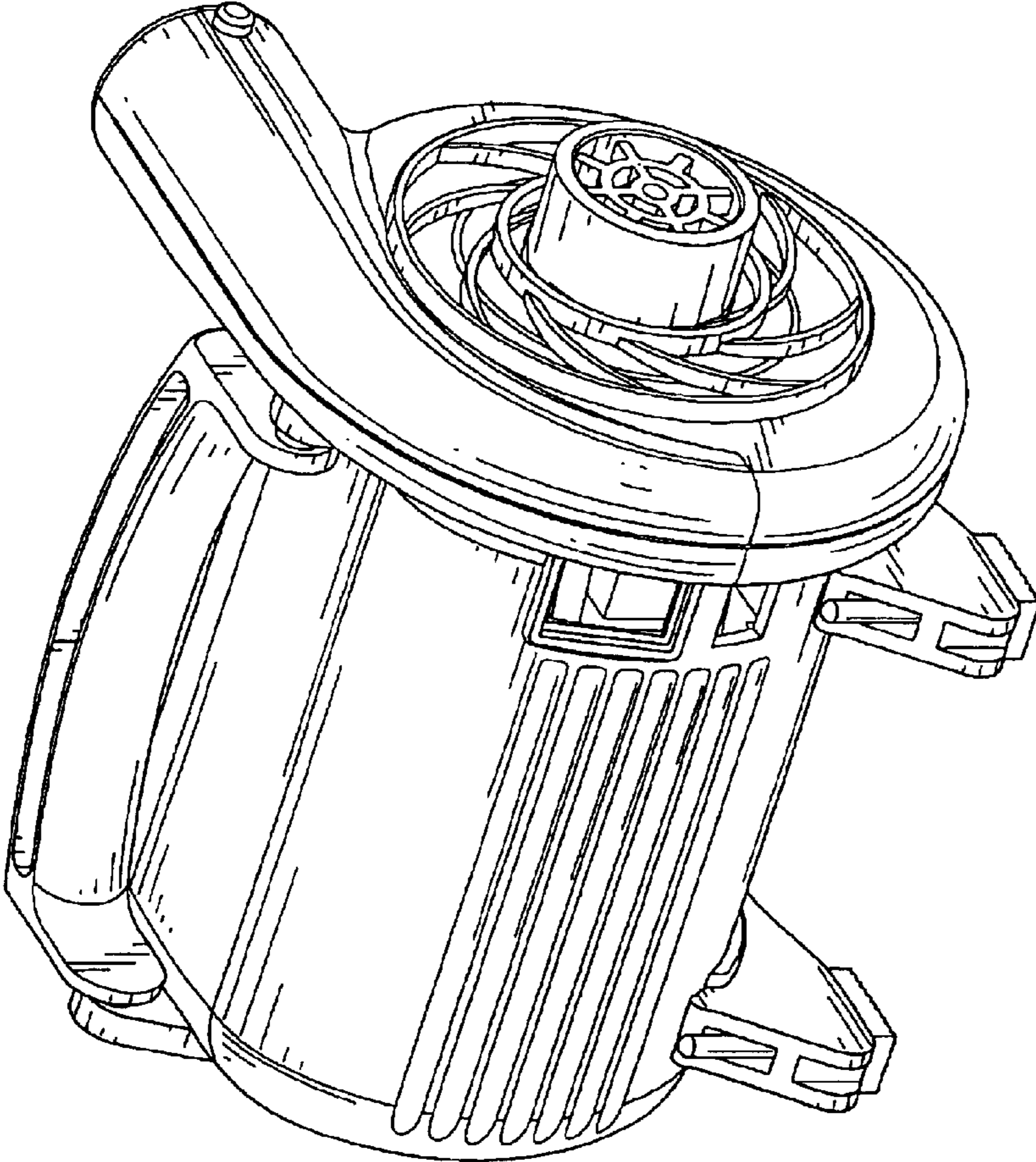


FIG. 1

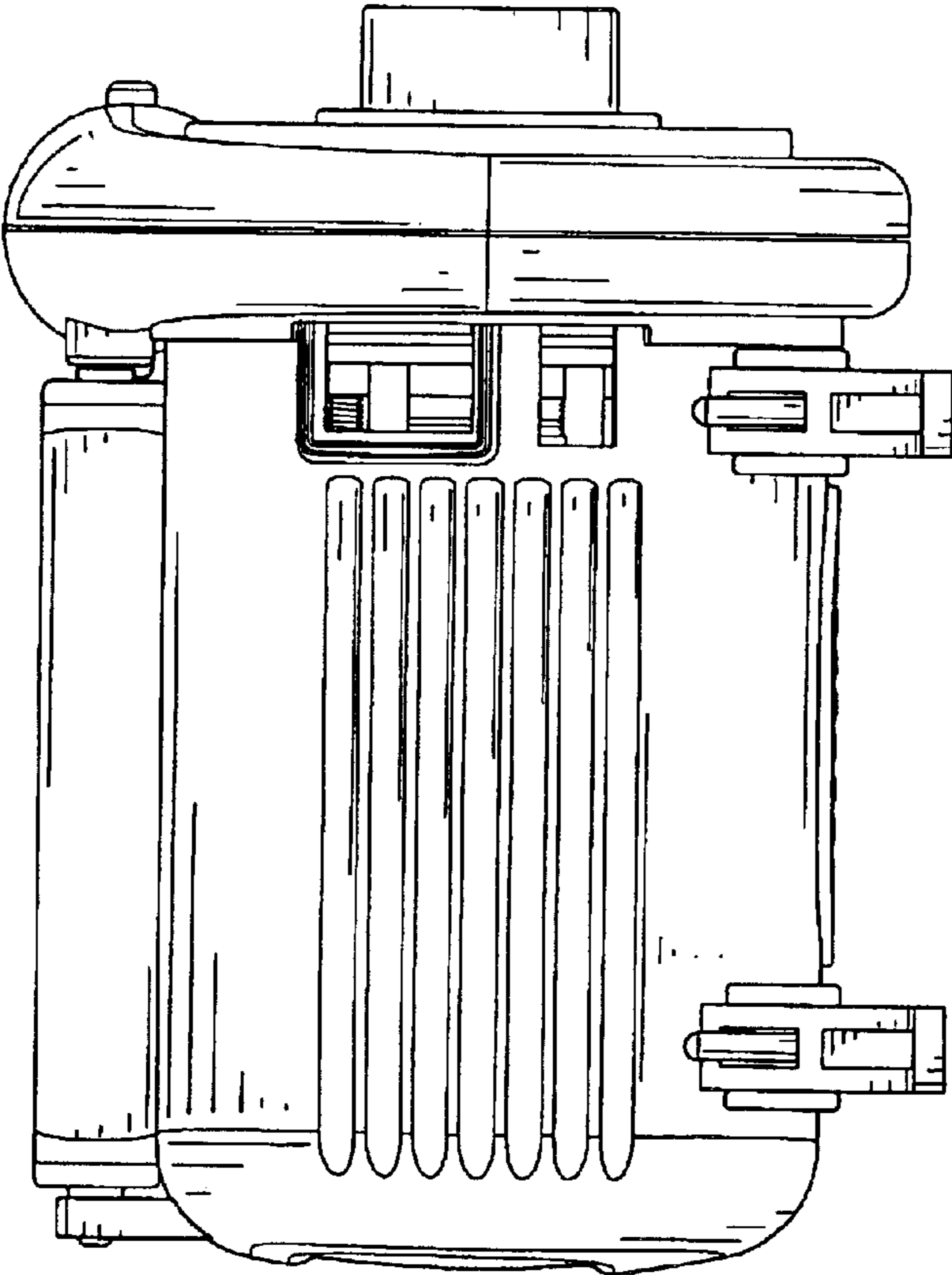


FIG. 2

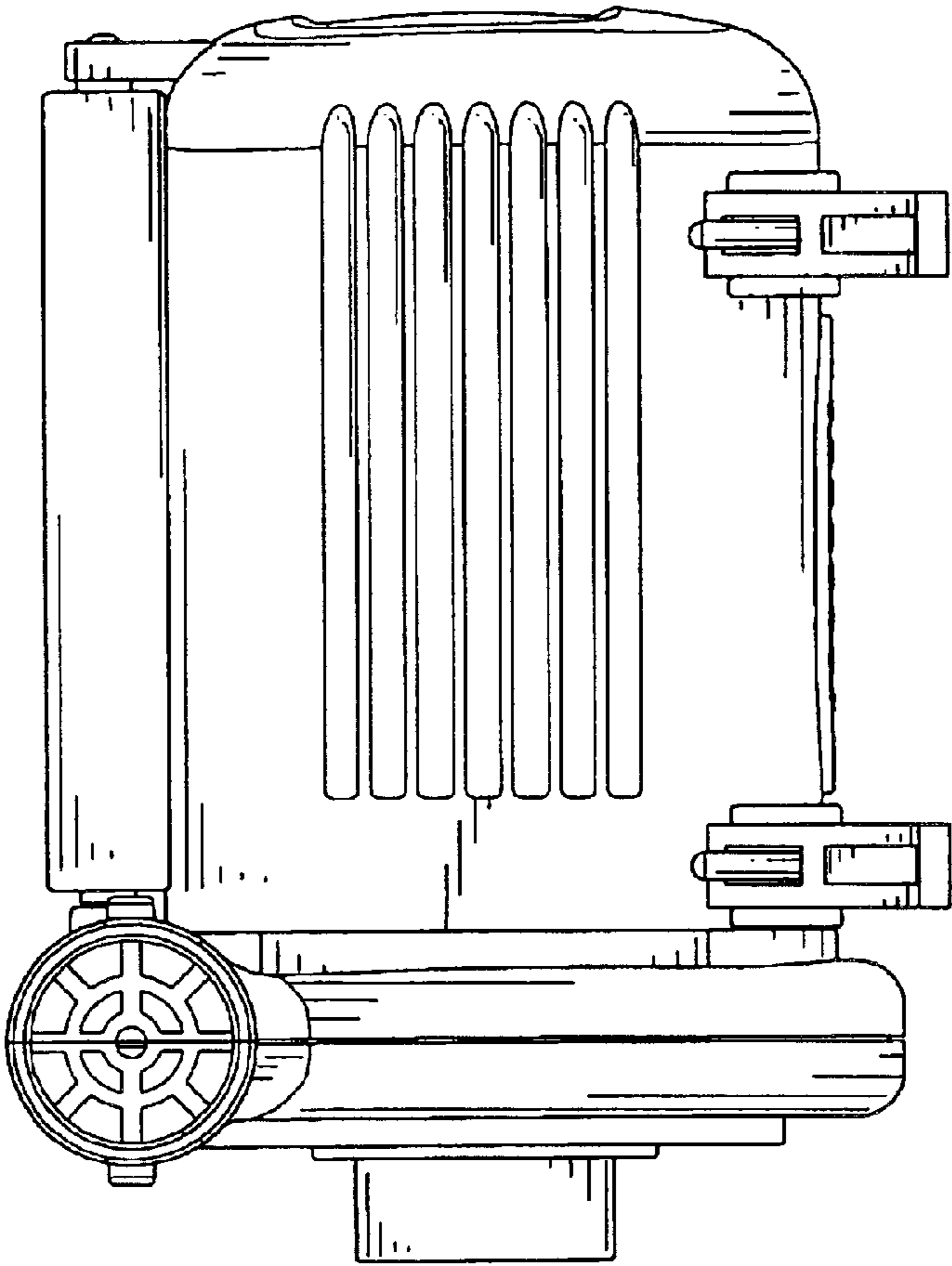


FIG. 3

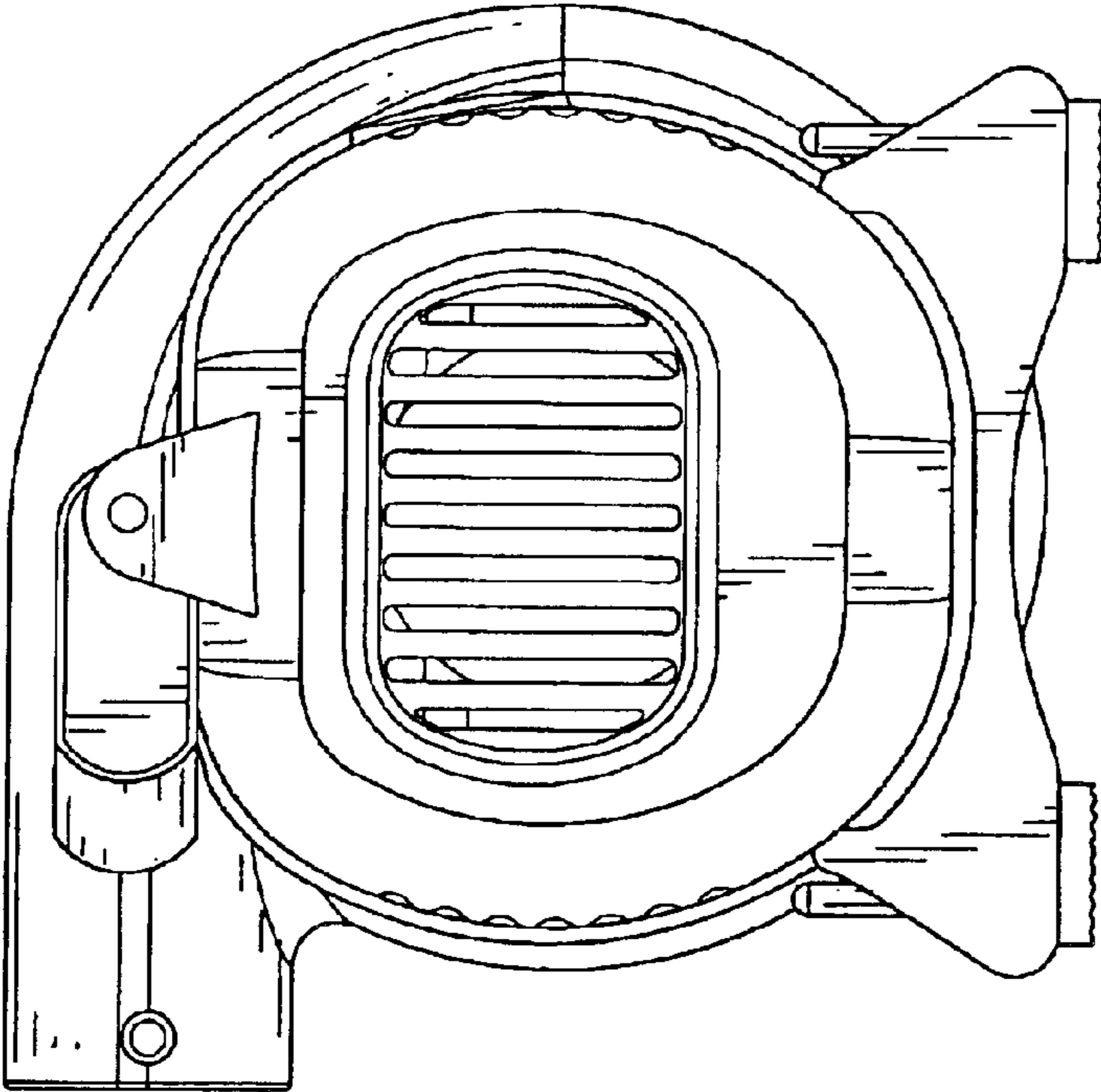


FIG. 4

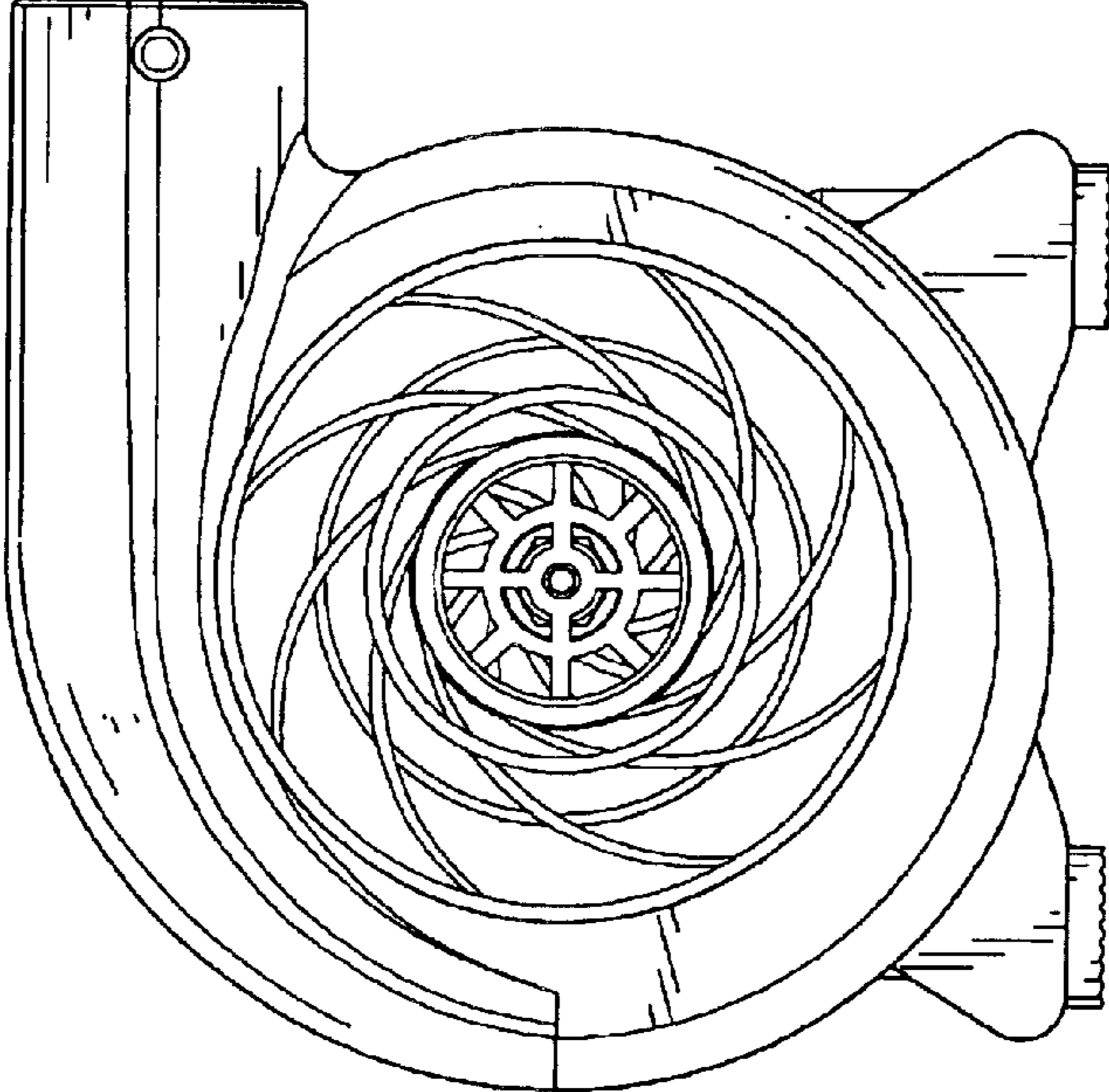


FIG. 5

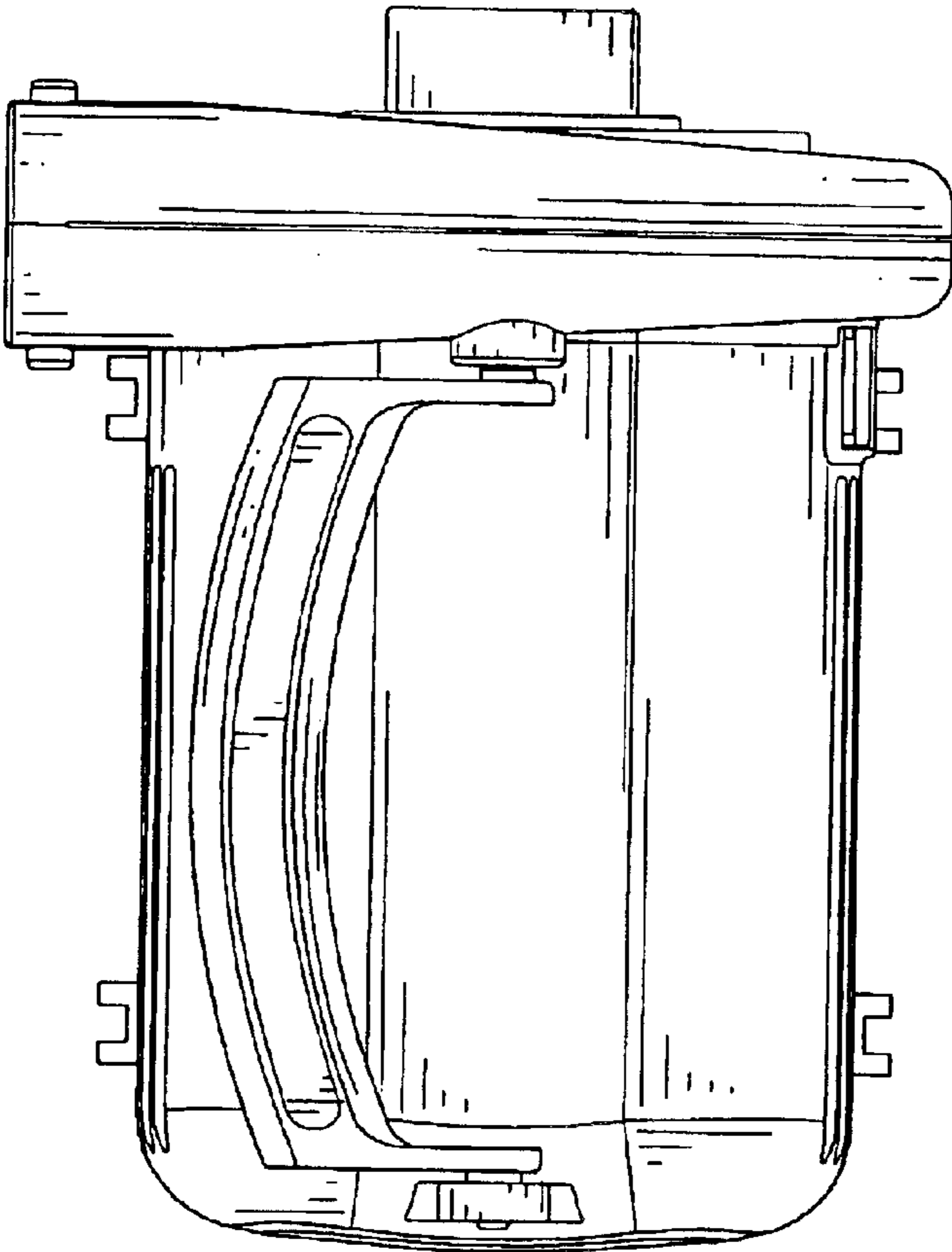


FIG. 6

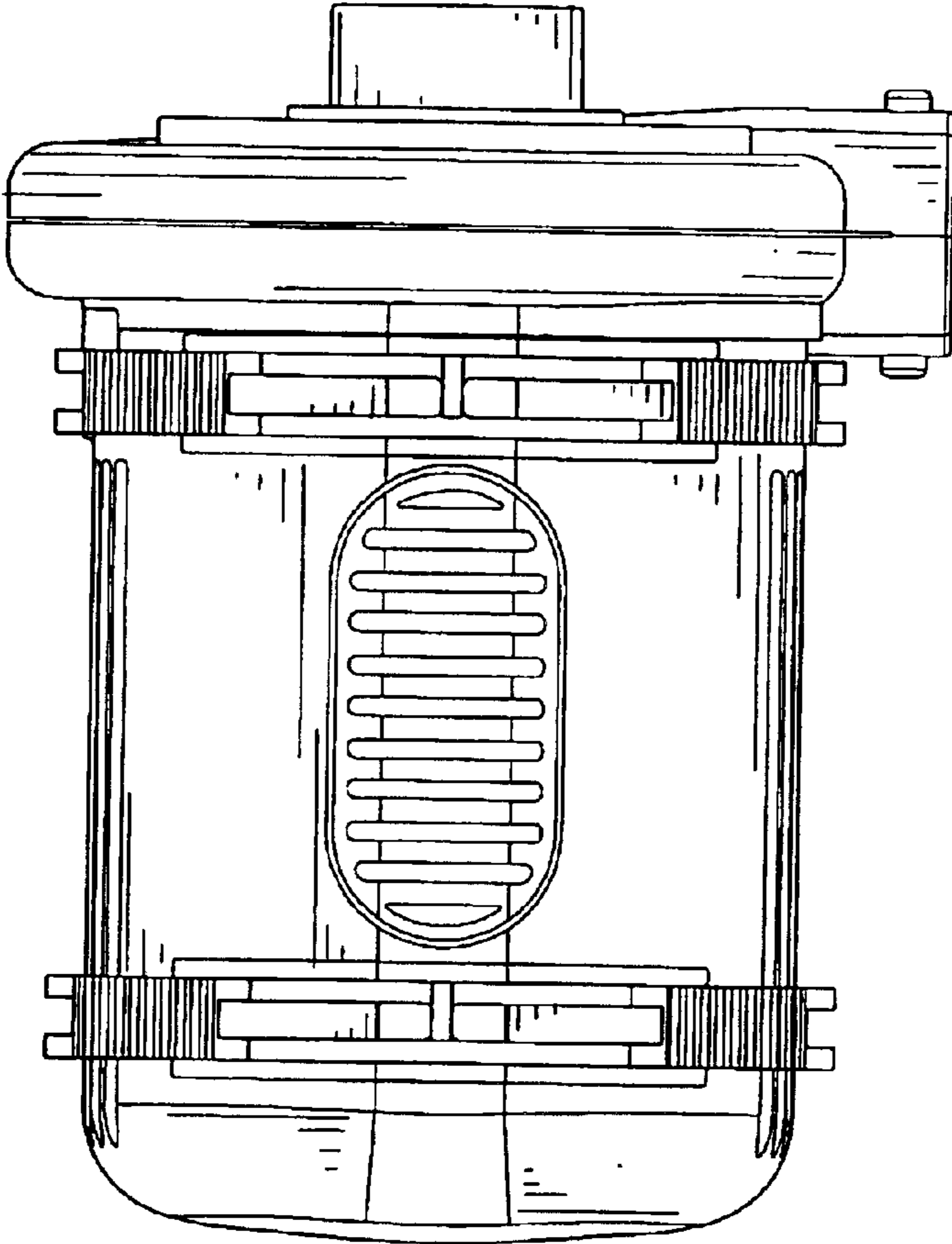


FIG.7