

US00D497915S1

(12) **United States Design Patent**  
**Bowen**

(10) **Patent No.:** **US D497,915 S**

(45) **Date of Patent:** **\*\* Nov. 2, 2004**

(54) **GROUT PUMP**

(75) **Inventor:** **Jeffrey L. Bowen, Aurelia, IA (US)**

(73) **Assignee:** **Geo-Loop, Inc., Aurelia, IA (US)**

(\*\*) **Term:** **14 Years**

(21) **Appl. No.:** **29/186,046**

(22) **Filed:** **Jul. 8, 2003**

(51) **LOC (7) Cl. .... 15-01**

(52) **U.S. Cl. .... D15/7**

(58) **Field of Search** ..... D15/7-9; 417/321,  
417/410, 413.1, 415, 423.3, 486, 521, 534;  
415/148

(56) **References Cited**

**U.S. PATENT DOCUMENTS**

D240,272 S	*	6/1976	Philpott	.....	D15/7
D254,671 S	*	4/1980	Johnson et al.	.....	D15/7
D292,978 S	*	12/1987	Hansen et al.	.....	D15/7
D325,387 S	*	4/1992	Rupe	.....	D15/7
D405,454 S	*	2/1999	Bowen	.....	D15/7

D454,358 S \* 3/2002 Davis et al. .... D15/7

\* cited by examiner

*Primary Examiner*—Ralf Seifert

(74) *Attorney, Agent, or Firm*—McKee, Voorhees & Sease, P.L.C.

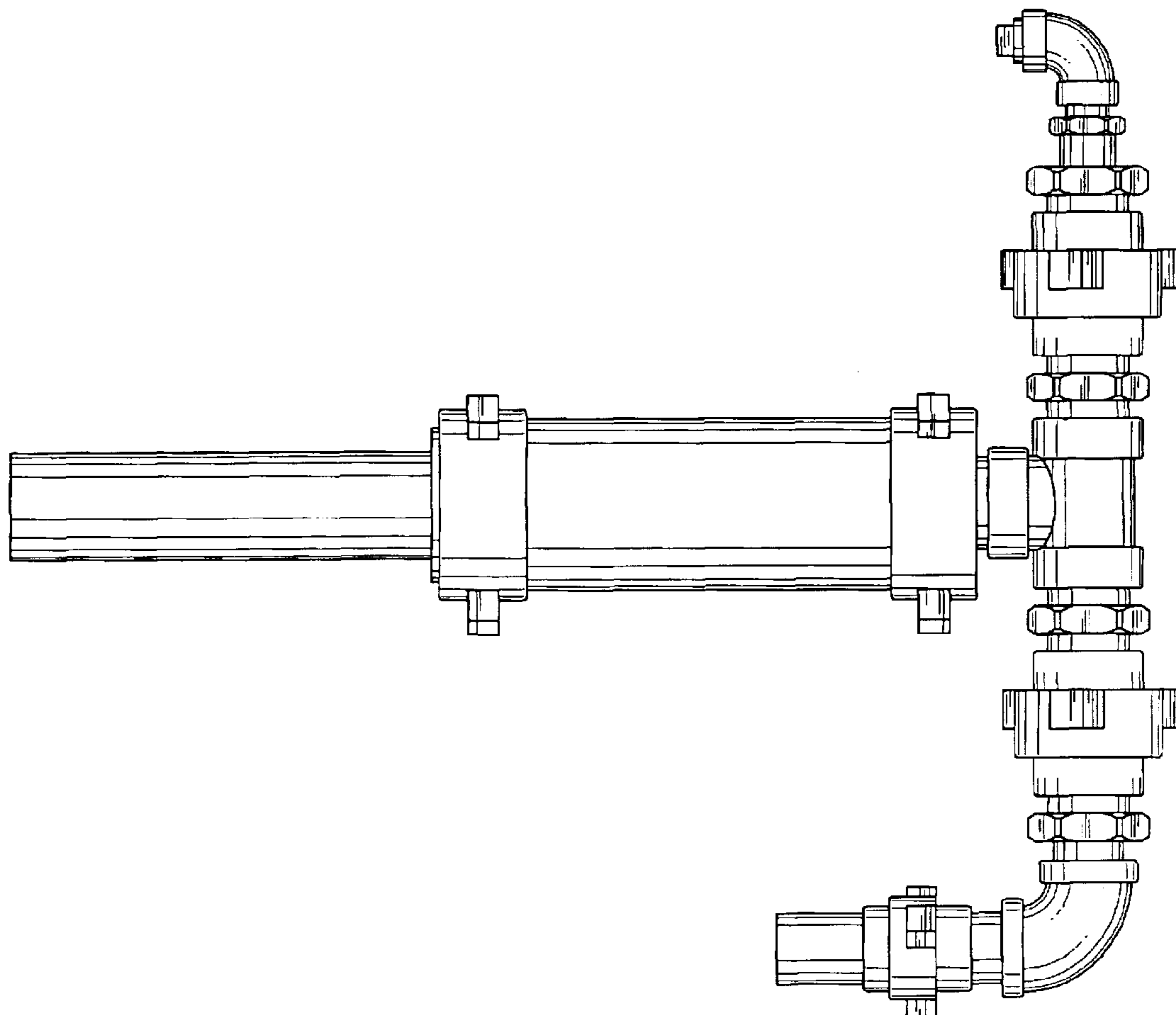
(57) **CLAIM**

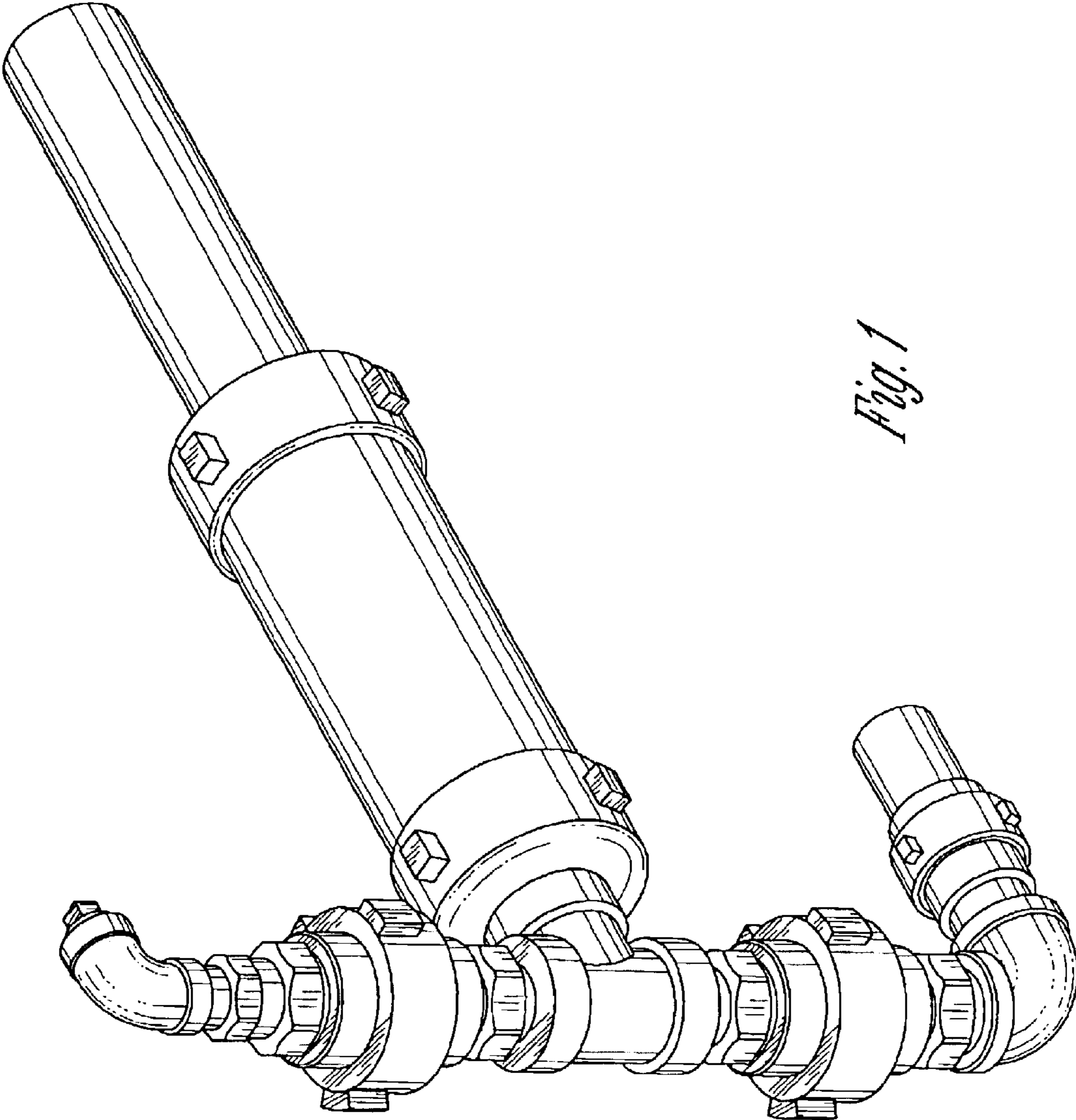
I claim the ornamental design for a grout pump, or similar article substantially as shown.

**DESCRIPTION**

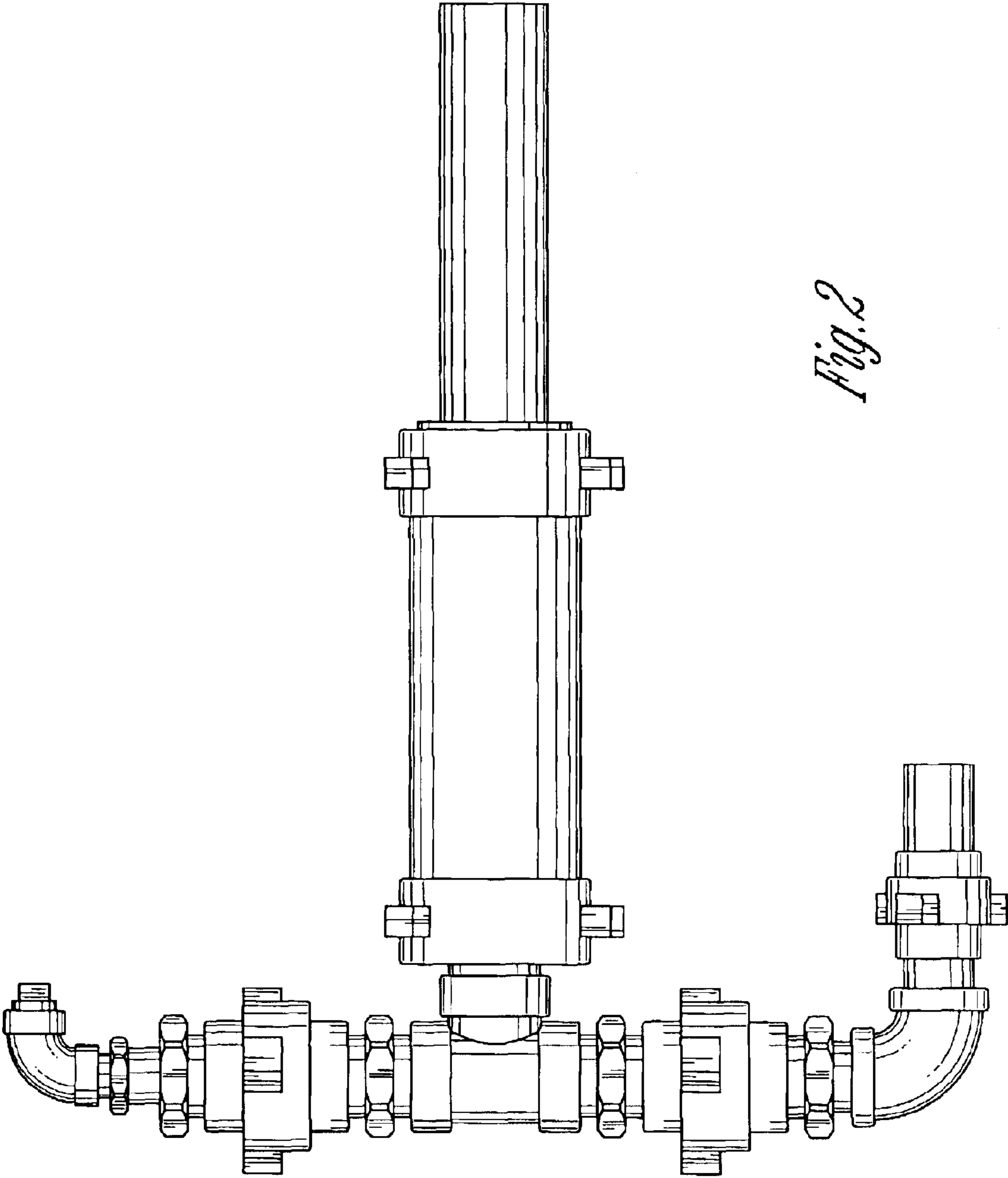
FIG. 1 is a perspective view of the grout pump design.  
FIG. 2 is a front elevational view thereof.  
FIG. 3 is a rear elevational view thereof.  
FIG. 4 is a top plan view thereof.  
FIG. 5 is a bottom plan view thereof.  
FIG. 6 is an end elevational view taken from the left end of FIG. 2; and,  
FIG. 7 is an end elevational view taken from the right end of FIG. 2.

**1 Claim, 5 Drawing Sheets**

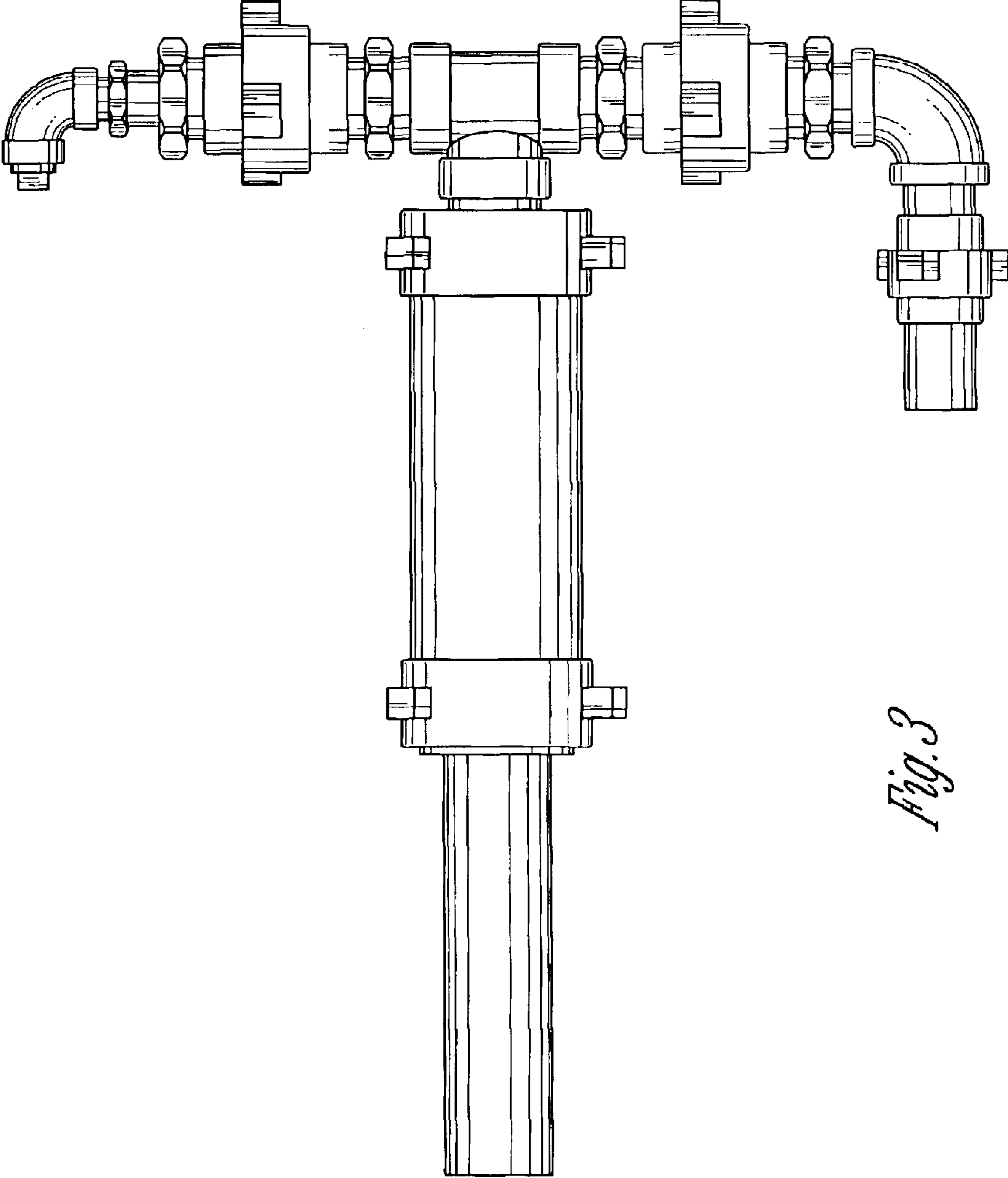




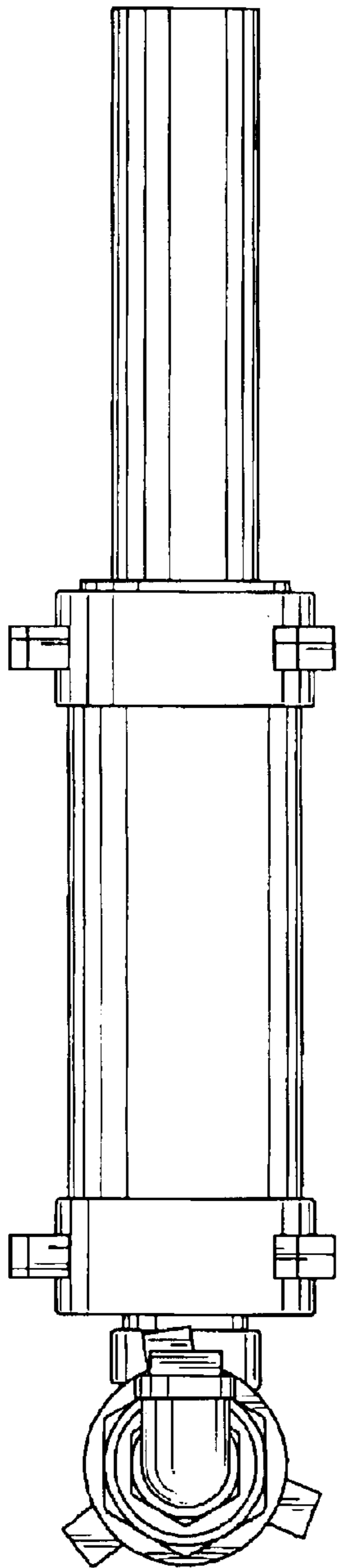
*Fig. 1*



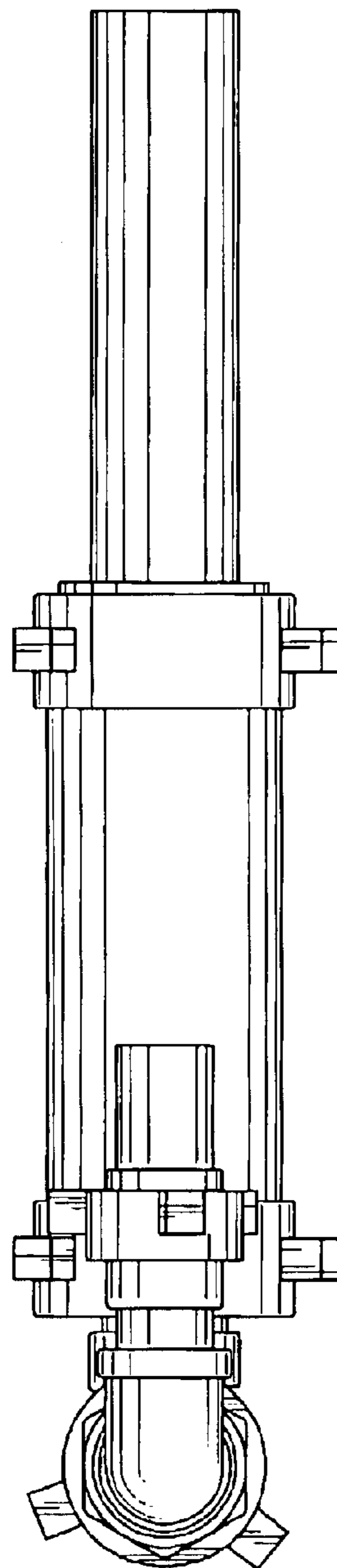
*Fig. 2*



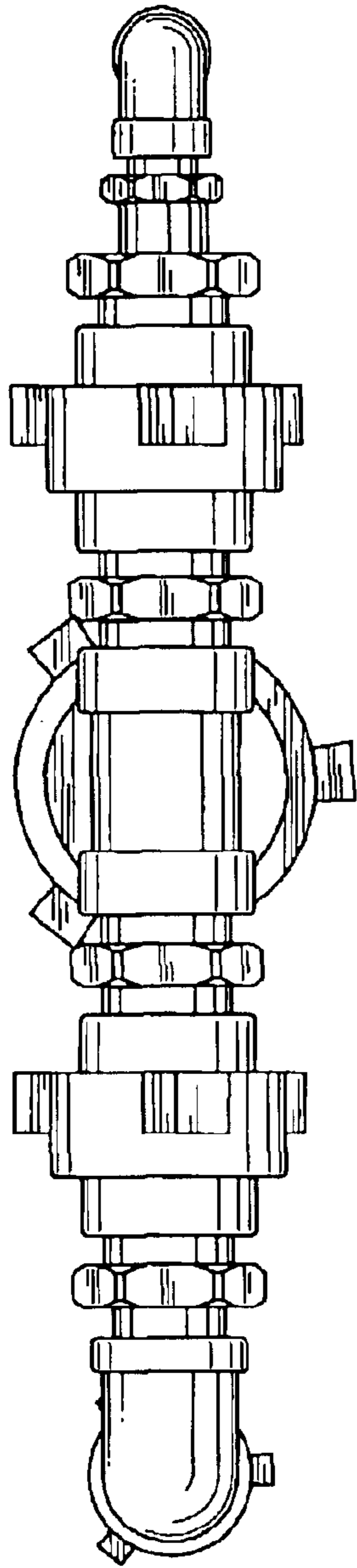
*Fig. 3*



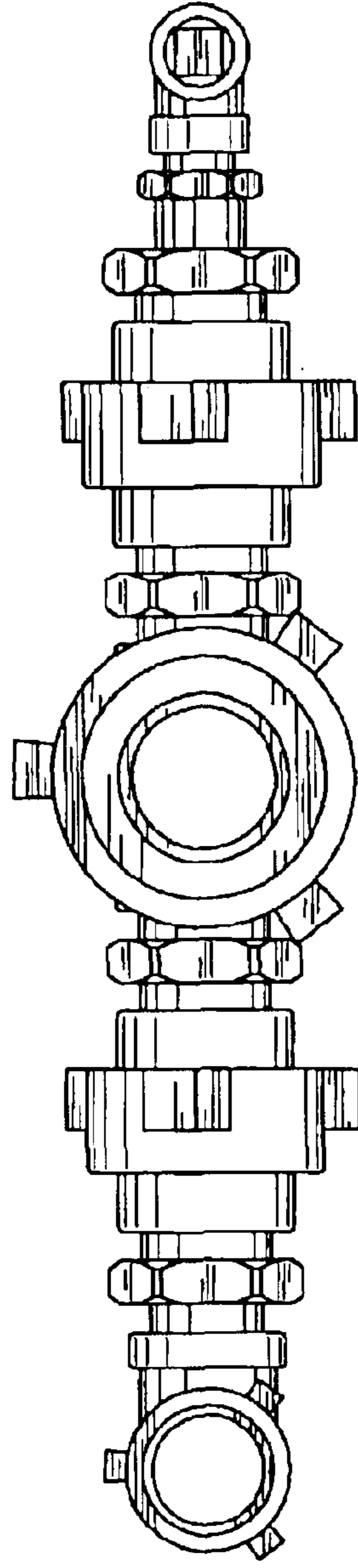
*Fig. 4*



*Fig. 5*



*Fig. 6*



*Fig. 7*