

US00D497914S1

(12) **United States Design Patent**
Adachi et al.

(10) **Patent No.:** **US D497,914 S**
(45) **Date of Patent:** **** Nov. 2, 2004**

(54) **IMAGE SCANNER**

D454,351 S * 3/2002 Adachi et al. D14/423

(75) Inventors: **Tomoyuki Adachi**, Nagoya (JP);
Tetsuro Kato, Nagoya (JP)

* cited by examiner

Primary Examiner—Adir Aronovich

(73) Assignee: **Elmo Company, Limited** (JP)

(74) *Attorney, Agent, or Firm*—Ostrolenk, Faber, Gerb & Soffen, LLP

(**) Term: **14 Years**

(57) **CLAIM**

(21) Appl. No.: **29/191,586**

The ornamental design for an image scanner, as shown and described.

(22) Filed: **Oct. 9, 2003**

DESCRIPTION

(30) **Foreign Application Priority Data**

May 15, 2003 (JP) 2003-013424

FIG. 1 is a front view of the image scanner embodying our new design;

(51) **LOC (7) Cl.** **14-02**

FIG. 2 is a right side view thereof;

(52) **U.S. Cl.** **D14/423; D16/229; D16/232**

FIG. 3 is a left side view thereof;

(58) **Field of Search** **D14/423; D16/221,**

FIG. 4 is a rear view thereof;

D16/225, 229, 232; 348/373-376; 353/115,
119, 122; 355/64; 358/474

FIG. 5 is a top plan view thereof;

FIG. 6 is a bottom plan view thereof;

FIG. 7 is a perspective view as seen from the top and right front of FIG. 1;

(56) **References Cited**

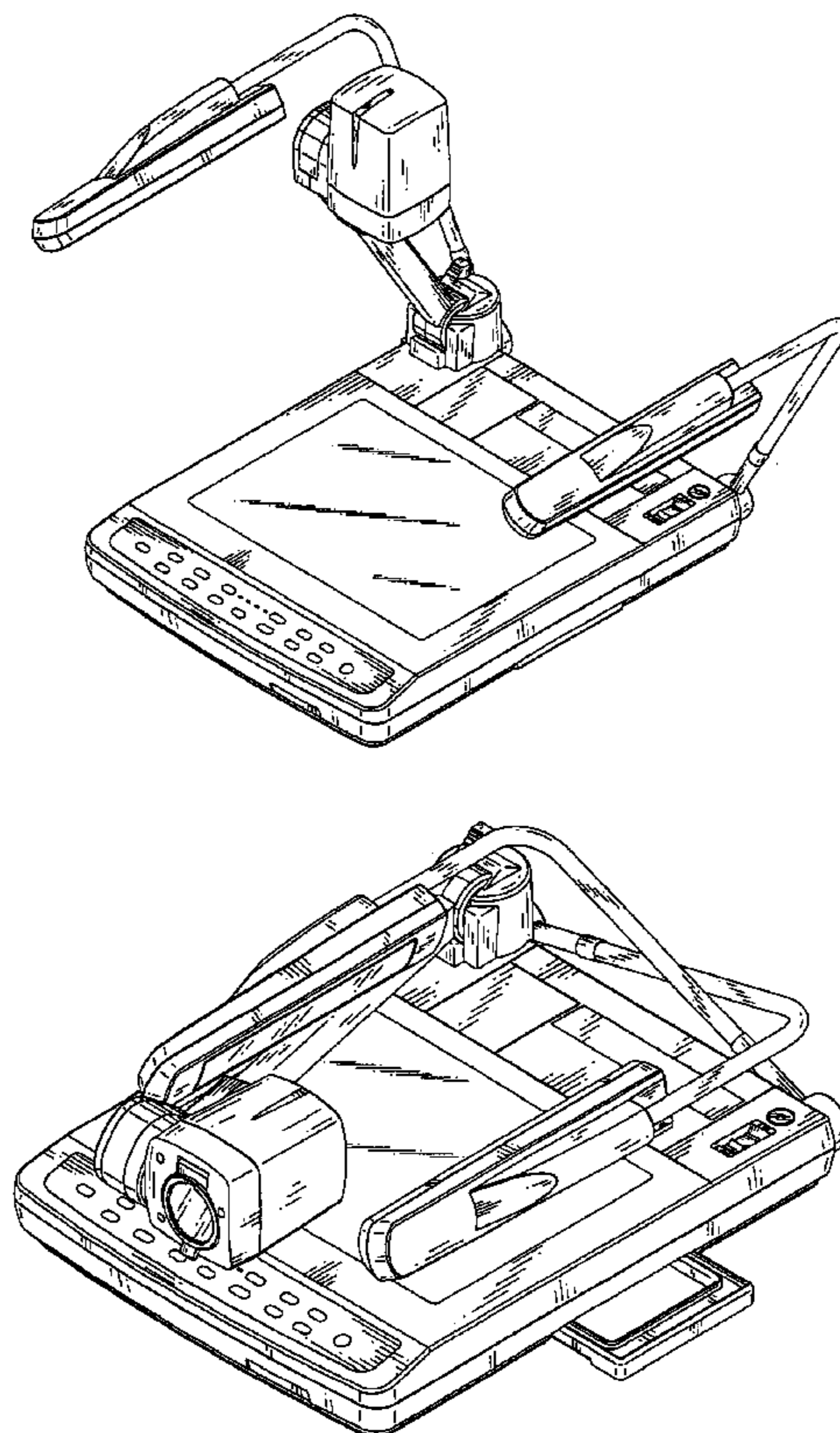
U.S. PATENT DOCUMENTS

5,796,495 A * 8/1998 Miyata et al. 358/474
D422,571 S * 4/2000 Sakata et al. D14/423
D423,472 S * 4/2000 Adachi D14/423
D424,091 S * 5/2000 Oh D16/232
6,065,839 A * 5/2000 Miyata et al. 353/122
D433,683 S * 11/2000 Adachi et al. D14/423

FIG. 8 is a perspective view as seen from the top and right front of FIG. 1 with a storage tray for a remote control being pulled out; and,

FIG. 9 is a perspective view as seen from the top and right front of FIG. 1 with both lighting units and a camera arm being folded up.

1 Claim, 9 Drawing Sheets



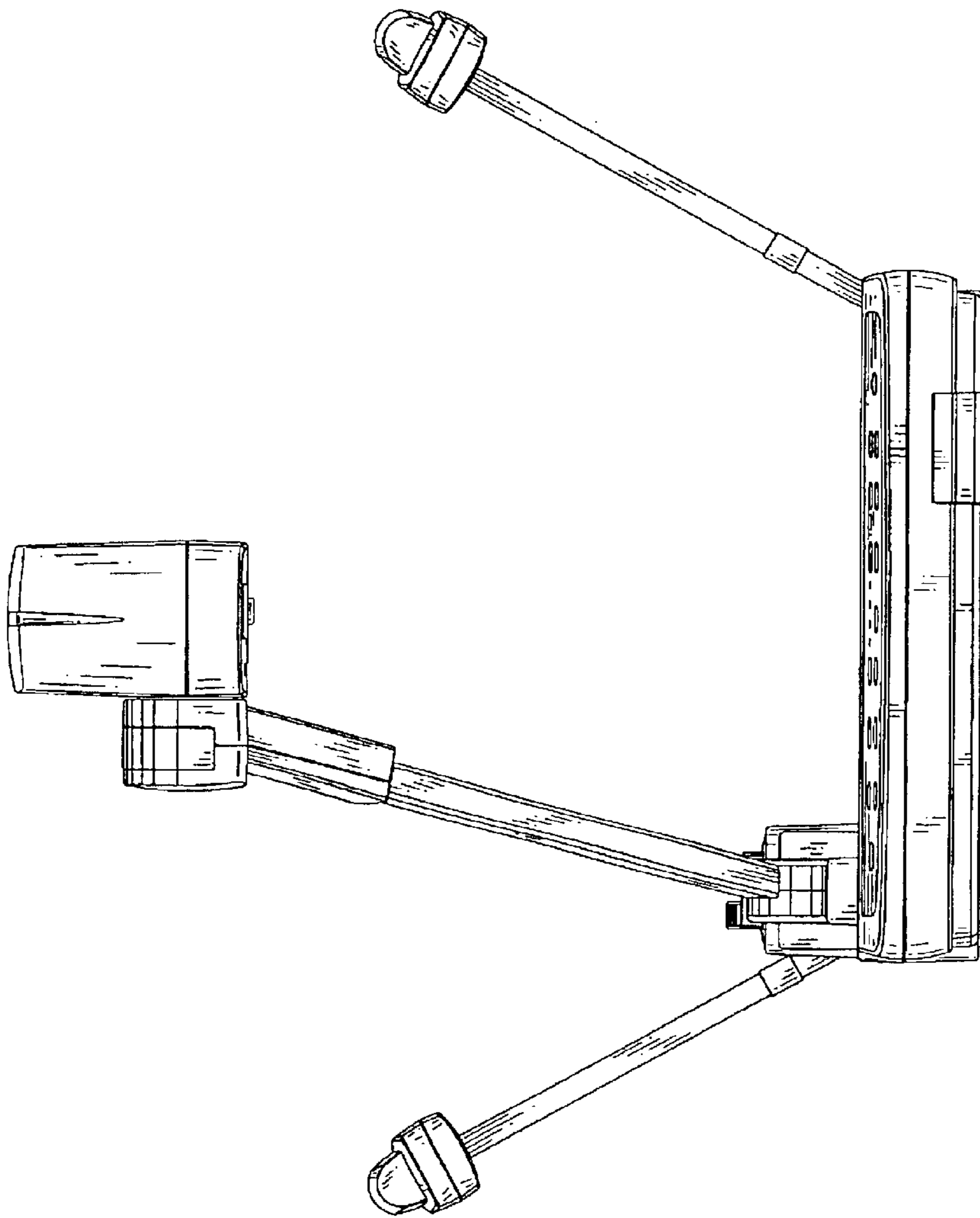


Fig.1

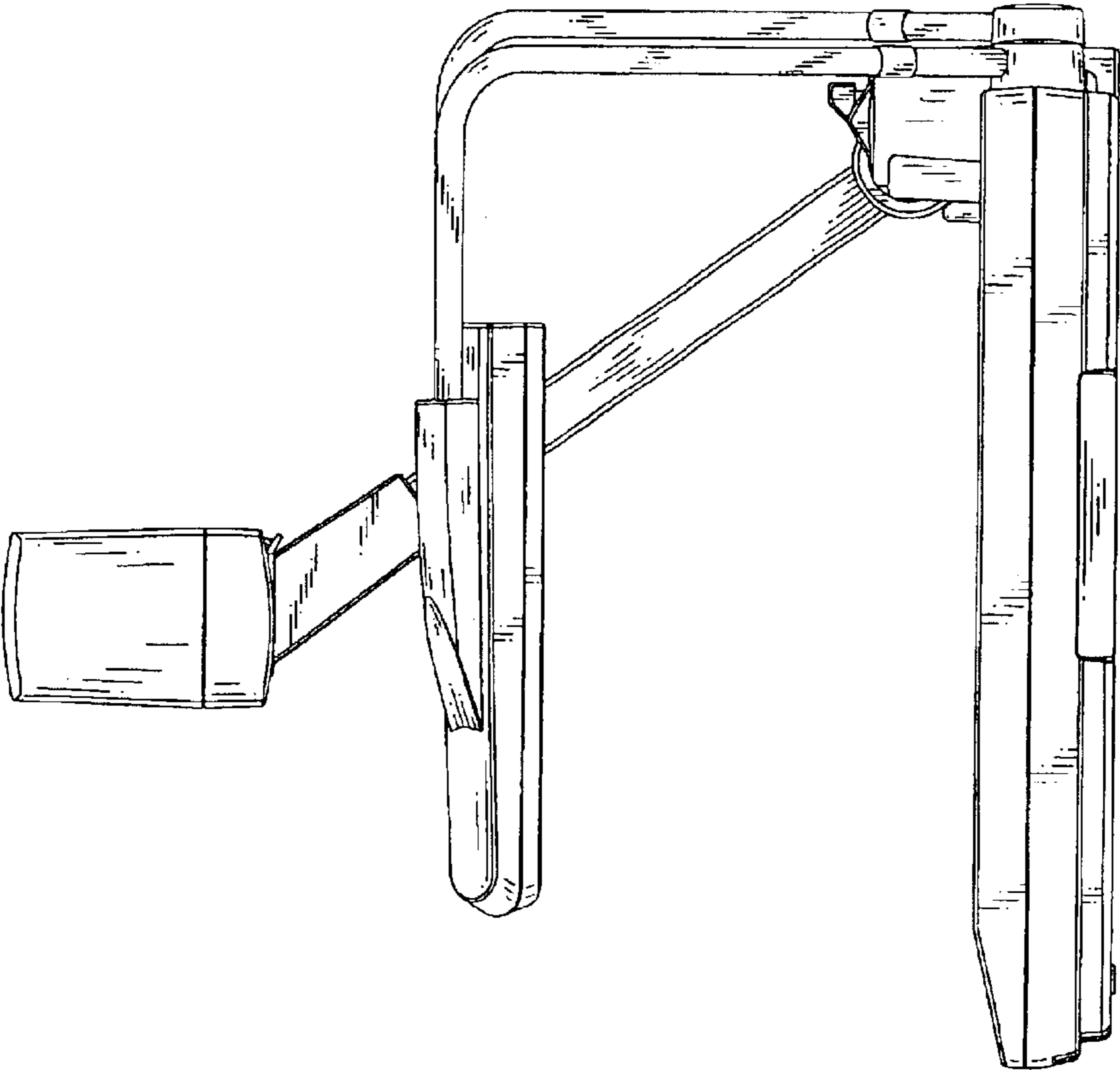


Fig.2

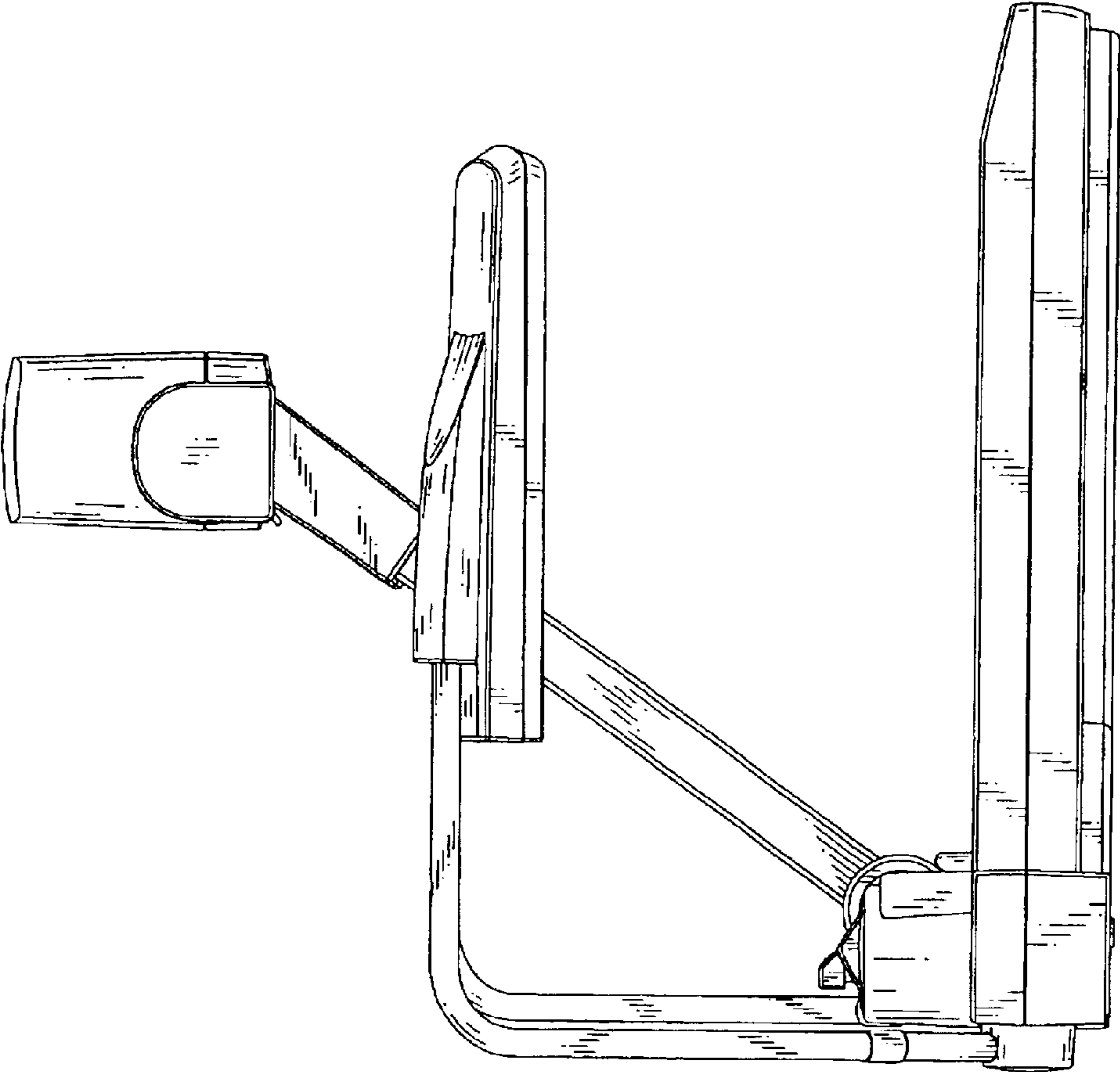


Fig.3

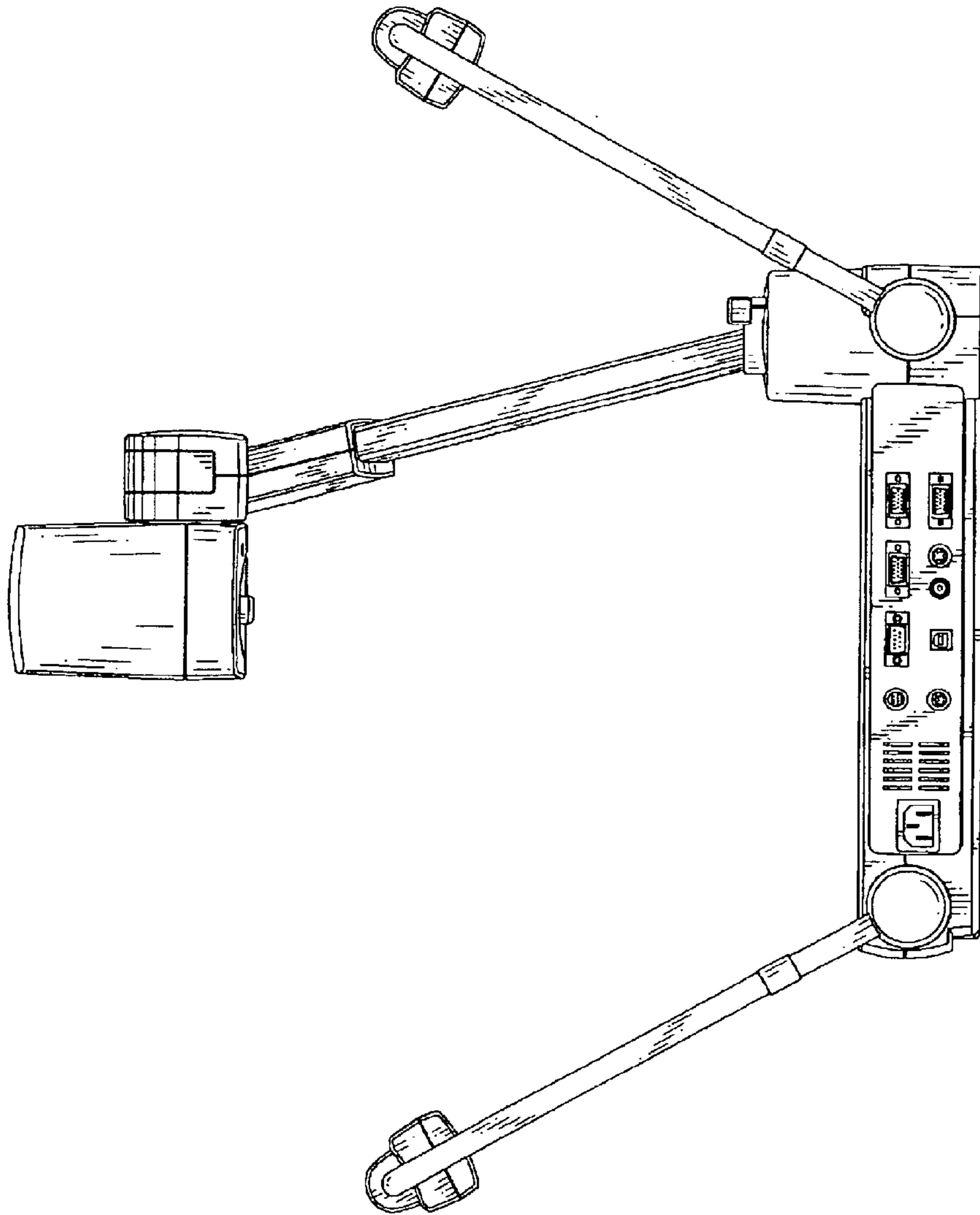


Fig.4

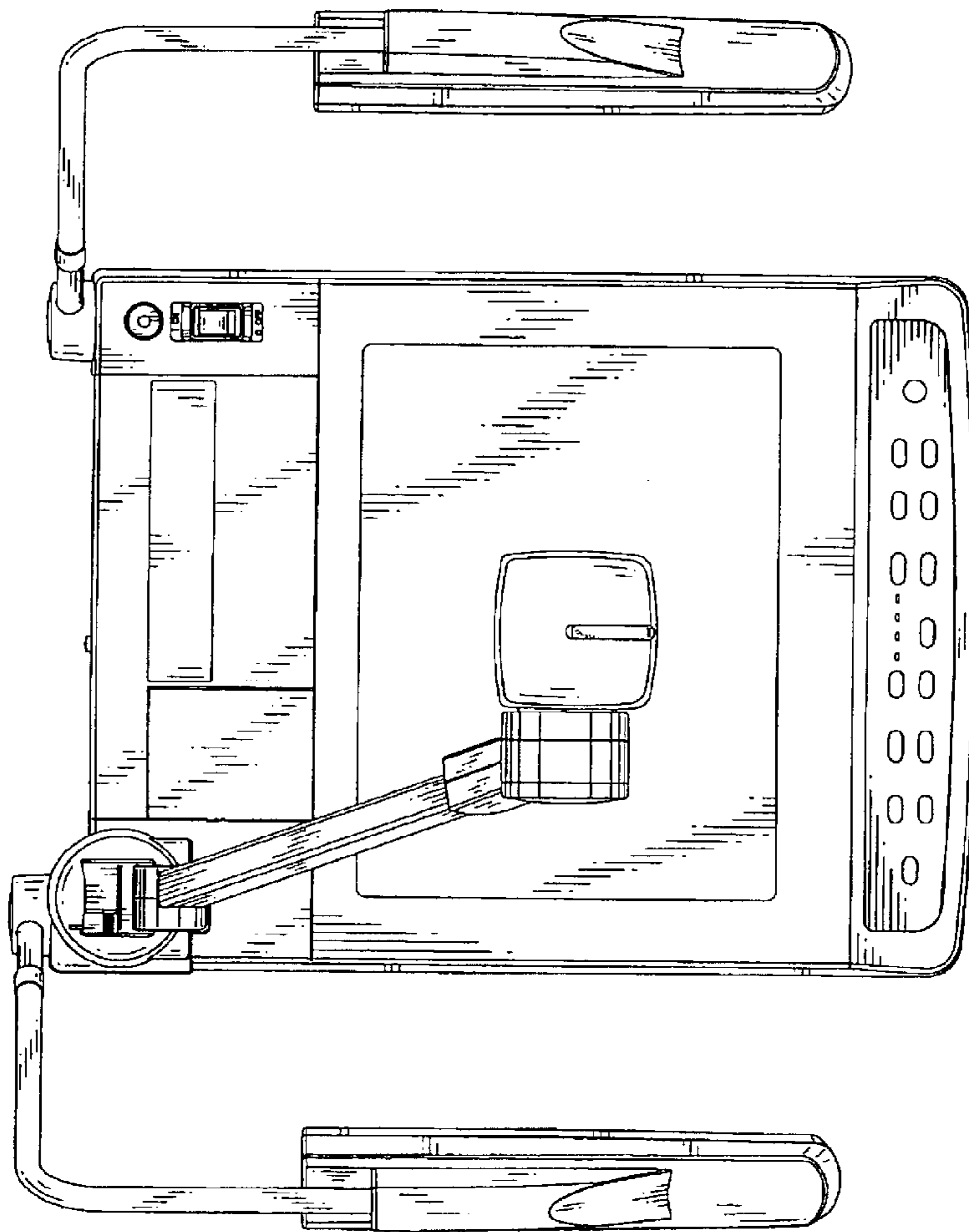


Fig.5

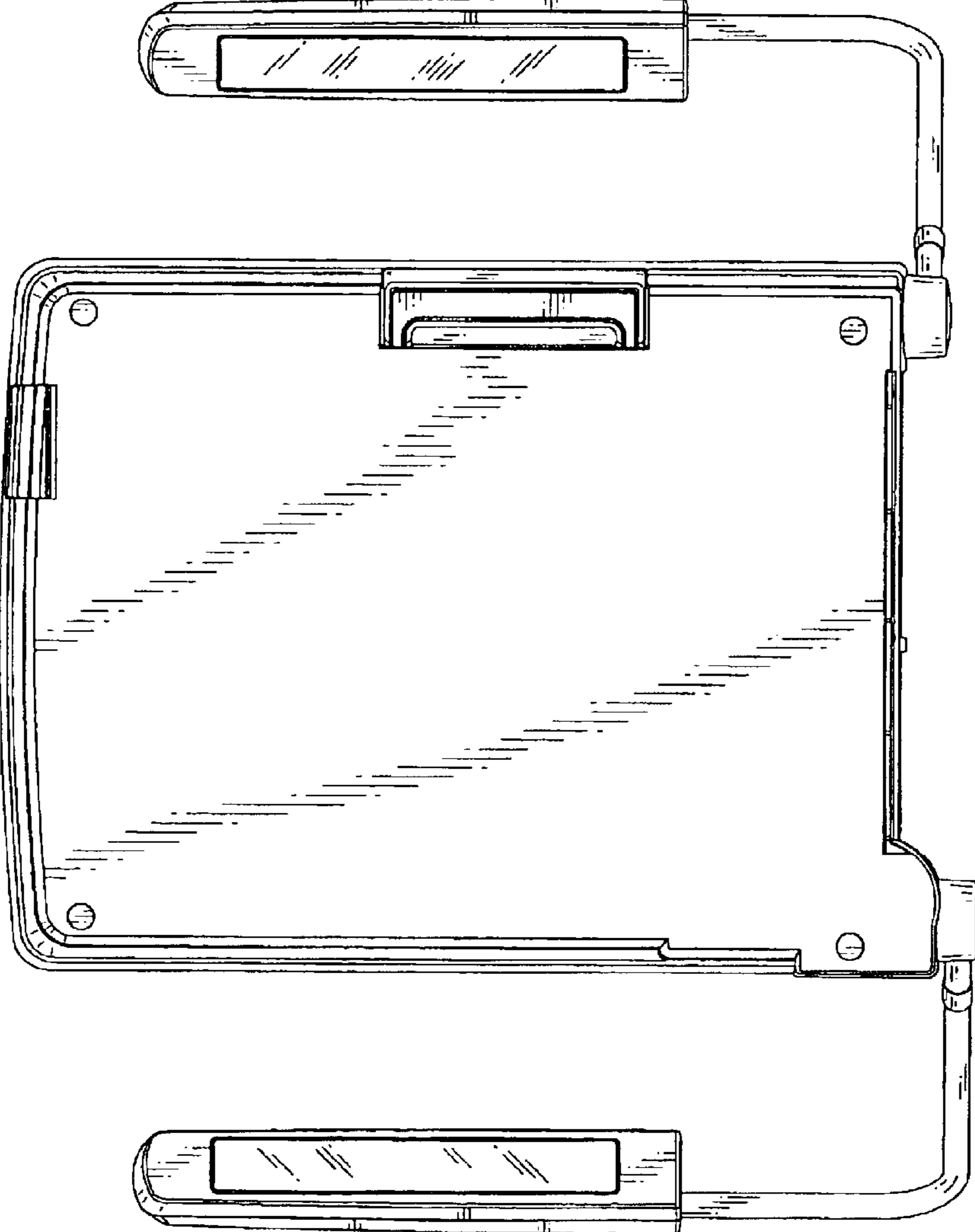


Fig.6

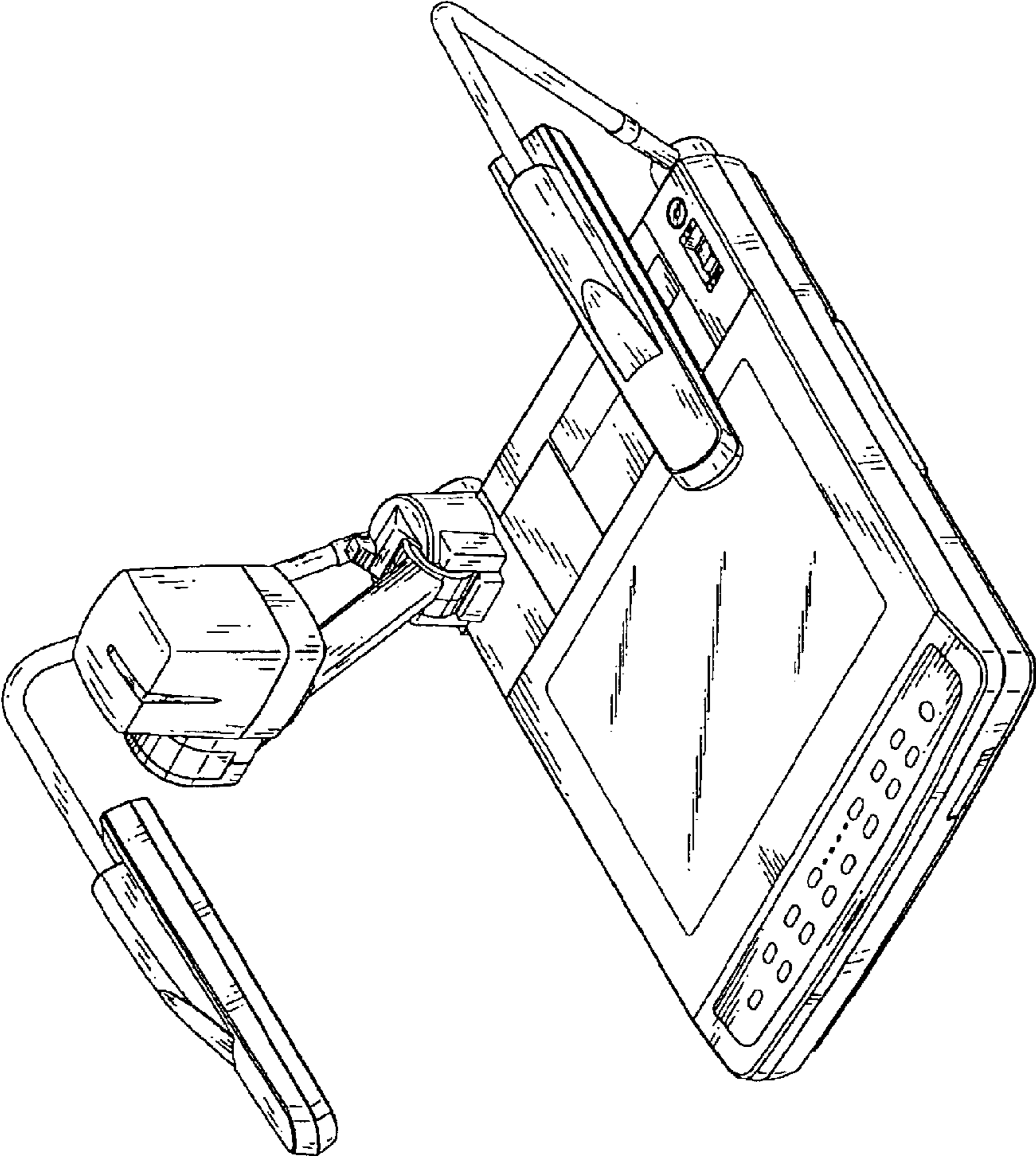


Fig.7

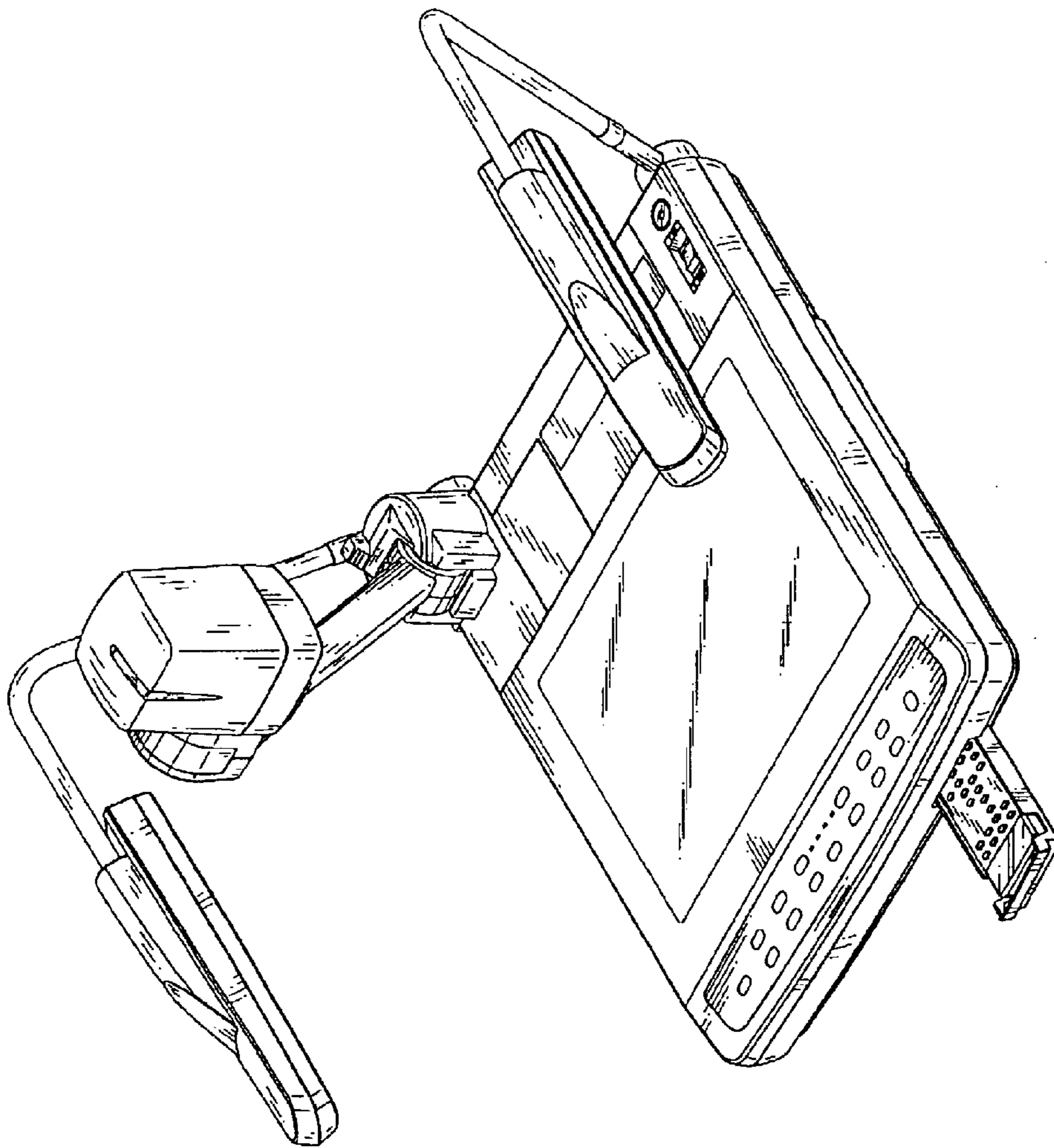


Fig.8

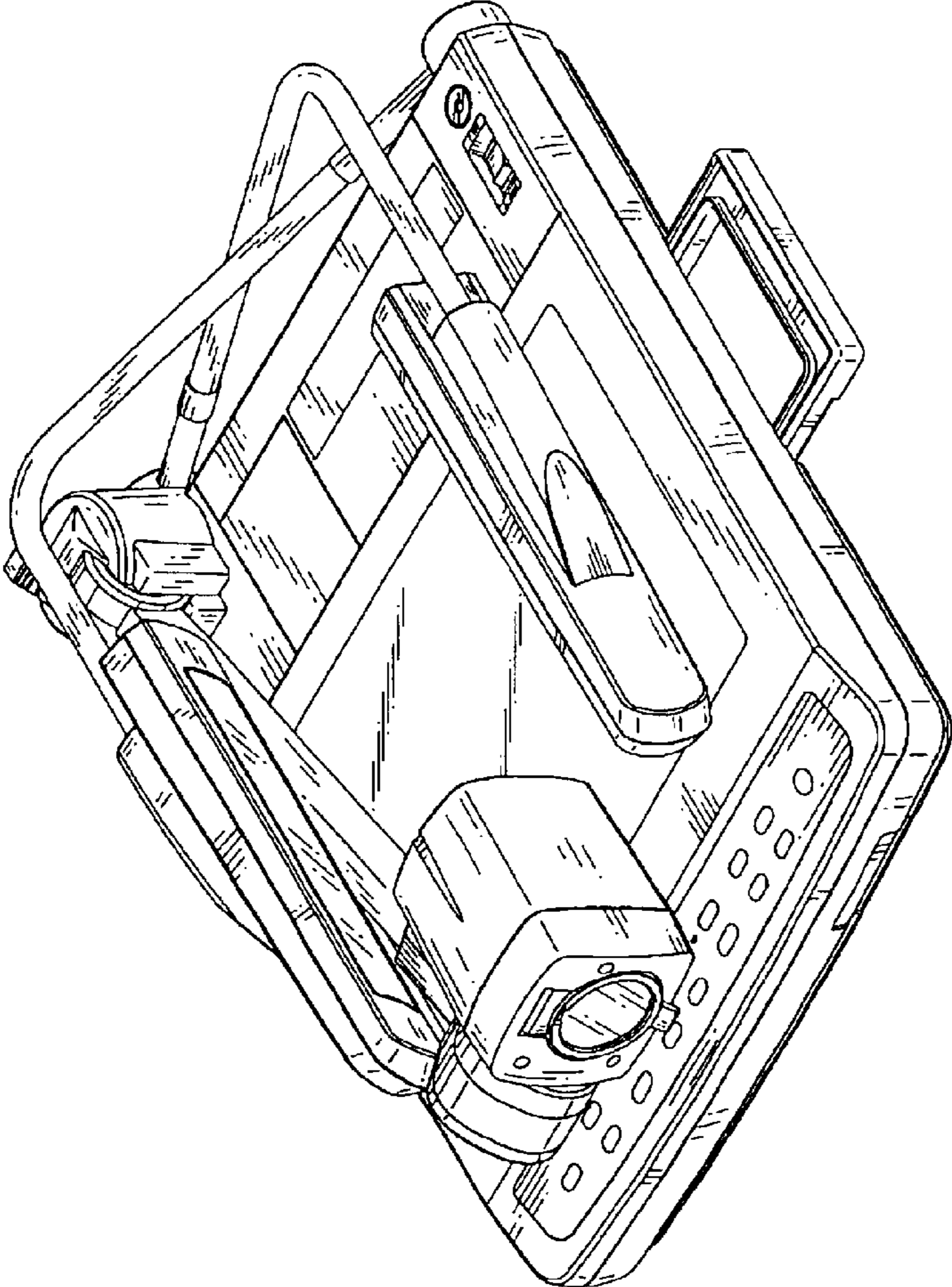


Fig.9