

US00D497909S1

(12) **United States Design Patent**
Lin

(10) **Patent No.:** **US D497,909 S**
(45) **Date of Patent:** **** Nov. 2, 2004**

(54) **LIQUID CRYSTAL DISPLAY**

D484,131 S * 12/2003 Olson et al. D14/375

(75) **Inventor:** **I-Shun Lin, Taipei (TW)**

* cited by examiner

(73) **Assignee:** **Hannspree, Inc., Taipei (TW)**

Primary Examiner—Freda S. Nunn

(**) **Term:** **14 Years**

(74) *Attorney, Agent, or Firm*—Thomas, Kayden, Horstemeyer & Risley

(21) **Appl. No.:** **29/196,789**

(57) **CLAIM**

(22) **Filed:** **Jan. 5, 2004**

The ornamental design for a liquid crystal display, as shown and described.

(30) **Foreign Application Priority Data**

Dec. 5, 2003 (TW) 92307345

DESCRIPTION

(51) **LOC (7) Cl.** **14-02**

FIG. 1 is a front perspective view thereof;

(52) **U.S. Cl.** **D14/371**

FIG. 2 is a front elevational view thereof;

(58) **Field of Search** D14/371-375,

FIG. 3 is a rear elevational view thereof;

D14/125-129; 345/104, 156, 168, 173,

FIG. 4 is a left side elevational view thereof;

901-905, 87; 248/917-924; 348/180, 184,

FIG. 5 is a right side elevational view thereof;

325, 739; 341/12; 349/1, 2, 11, 62

FIG. 6 is a top plane view thereof; and,

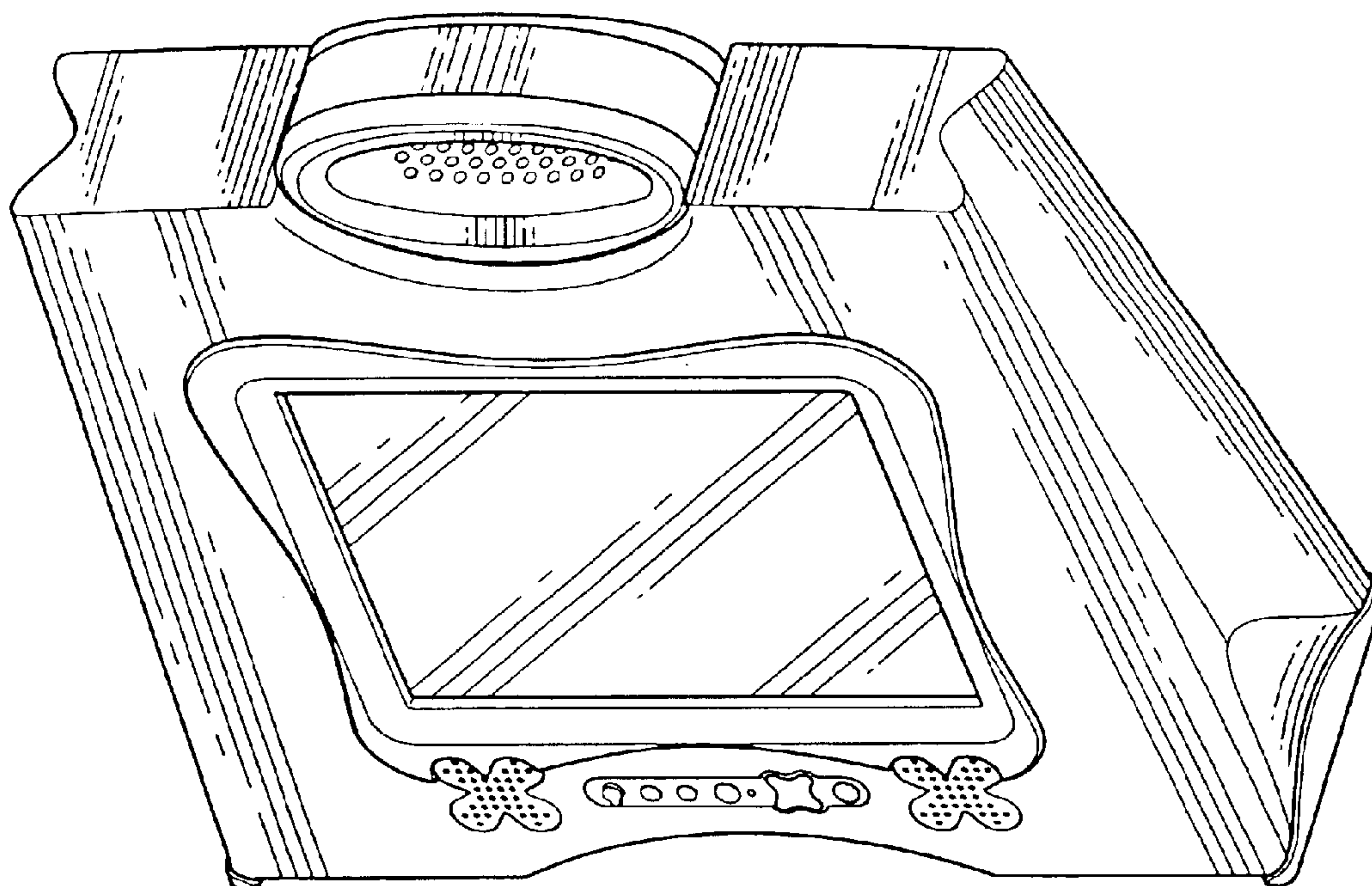
FIG. 7 is a bottom plane view thereof.

(56) **References Cited**

U.S. PATENT DOCUMENTS

D462,074 S * 8/2002 Kim D14/375

1 Claim, 6 Drawing Sheets



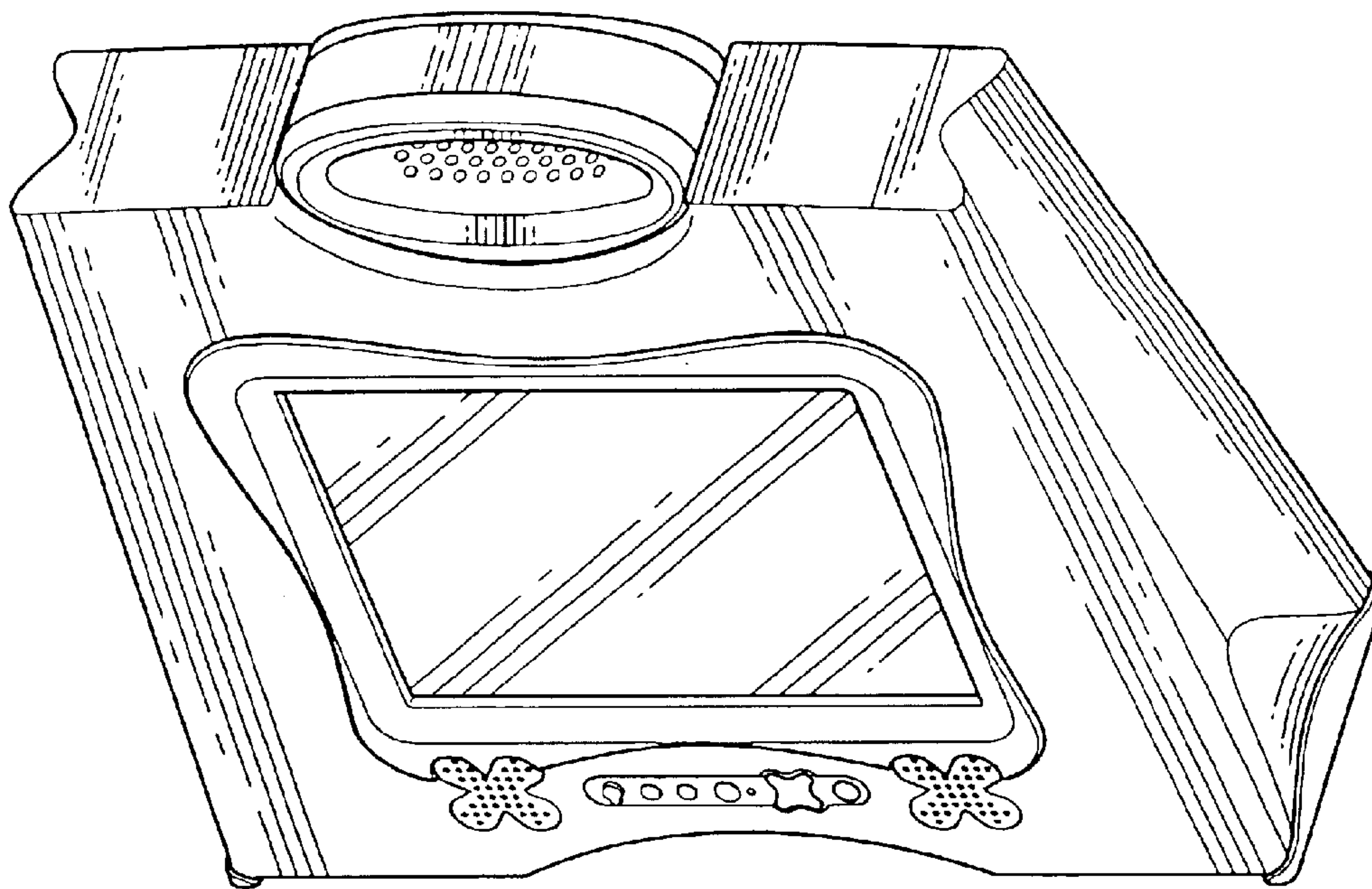


FIG. 1

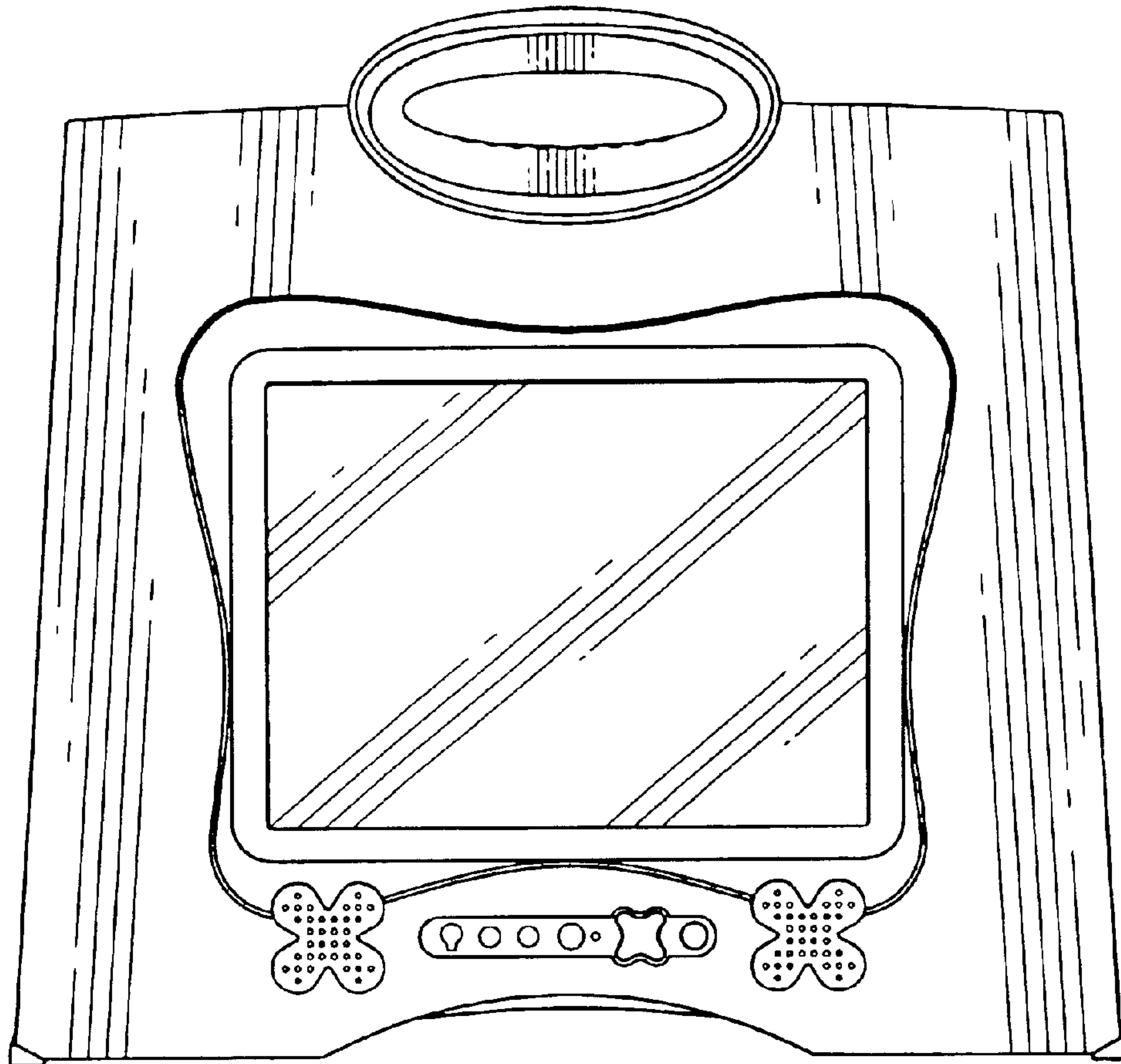


FIG. 2

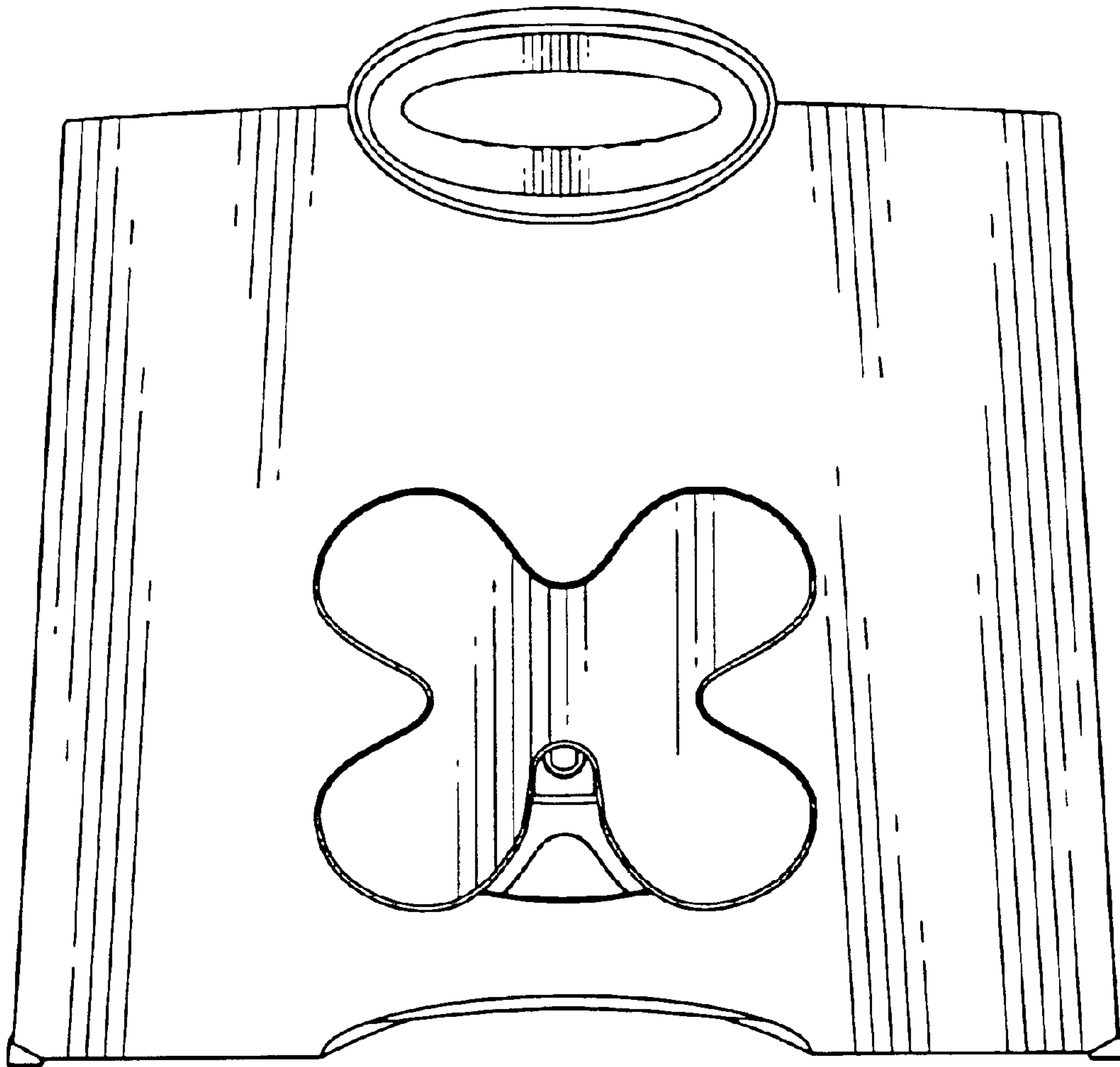


FIG. 3

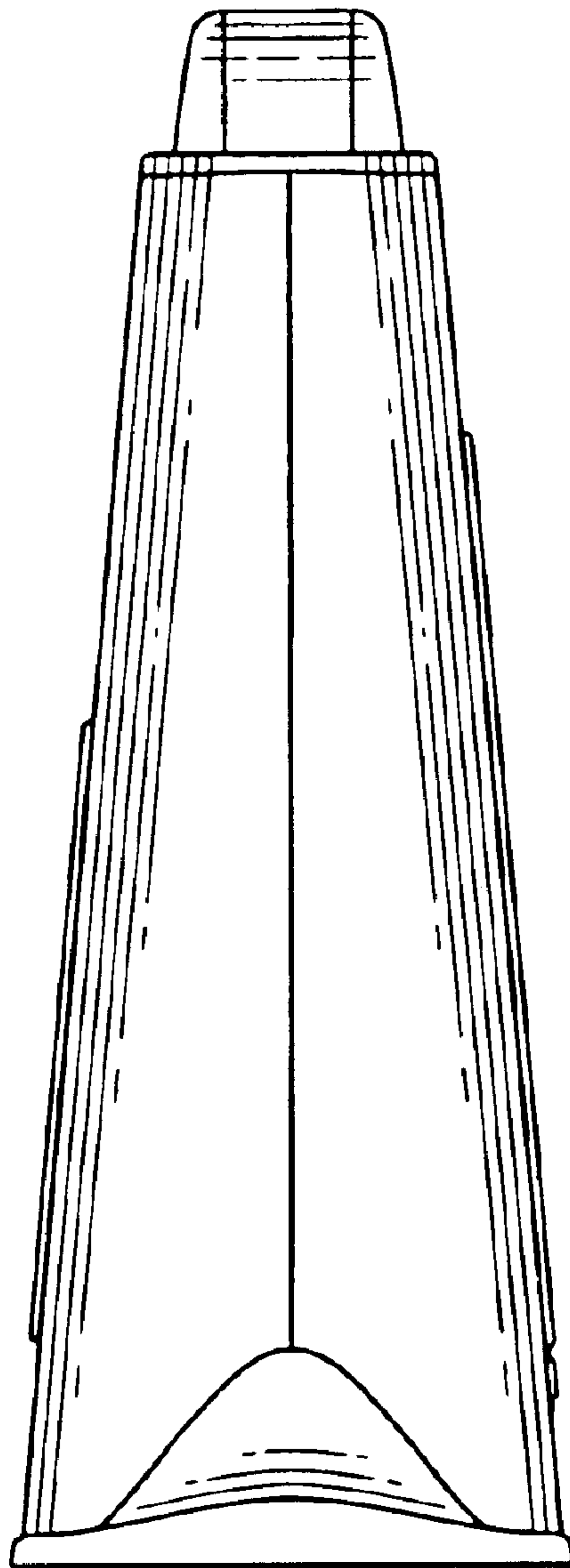


FIG. 4

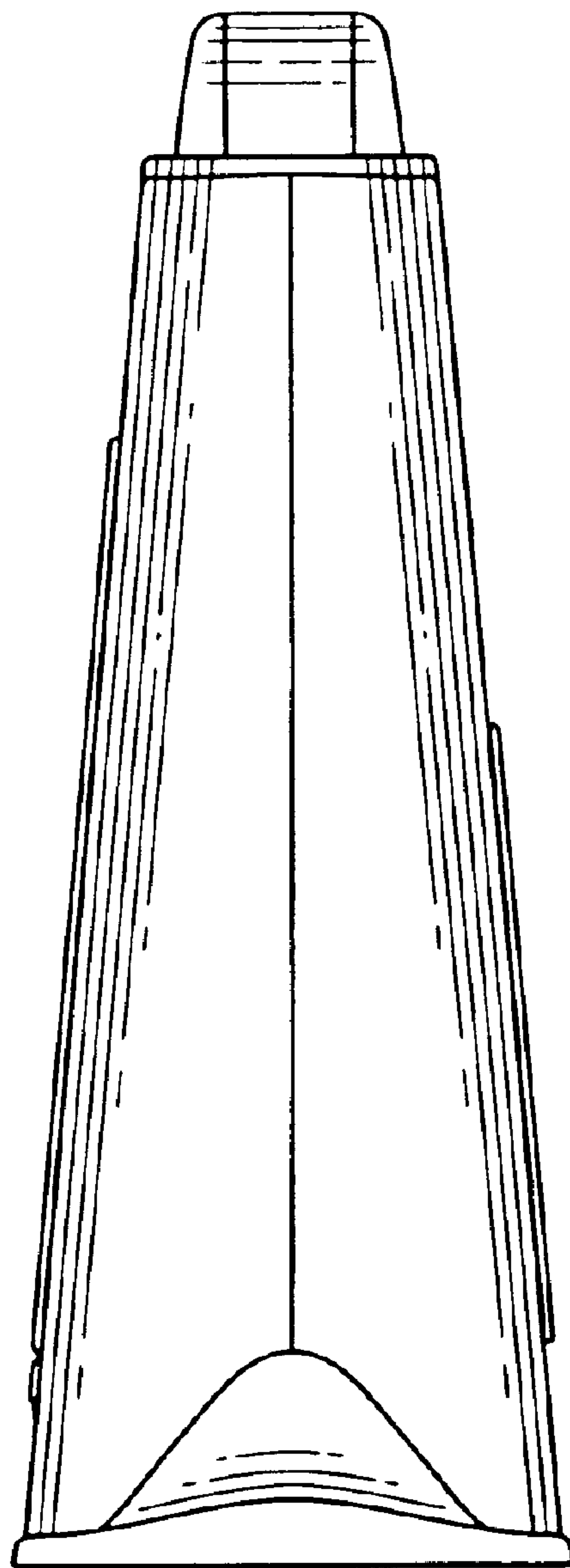


FIG. 5

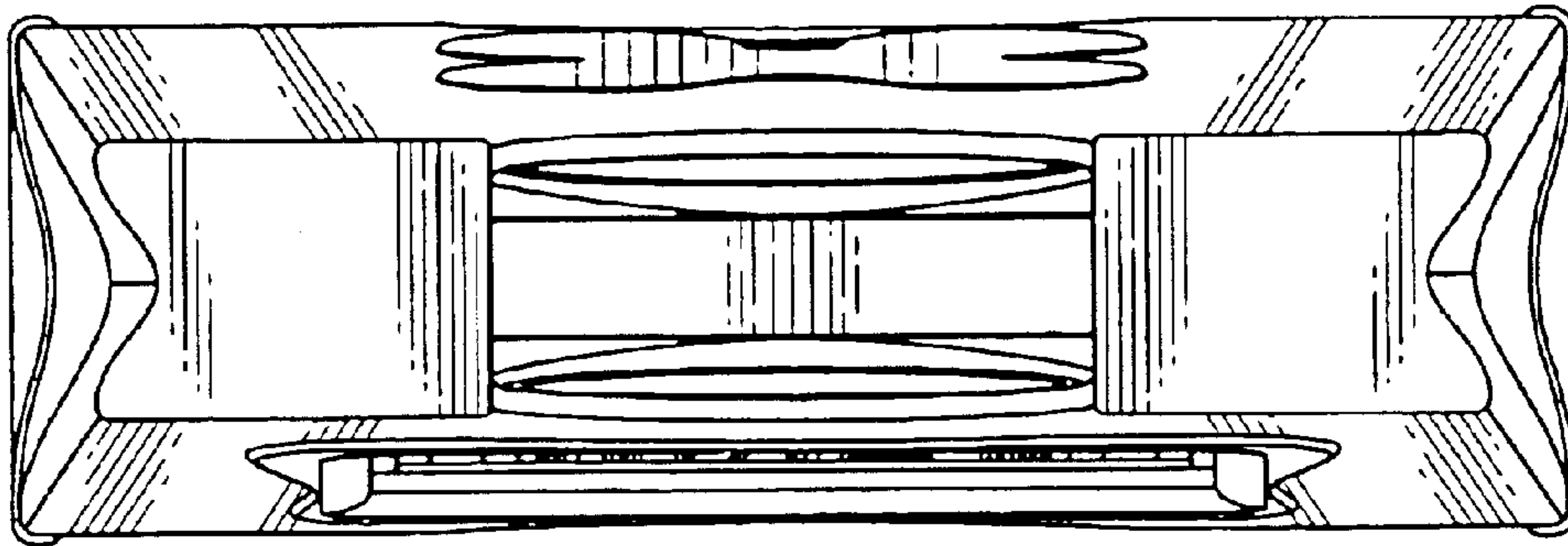


FIG. 6

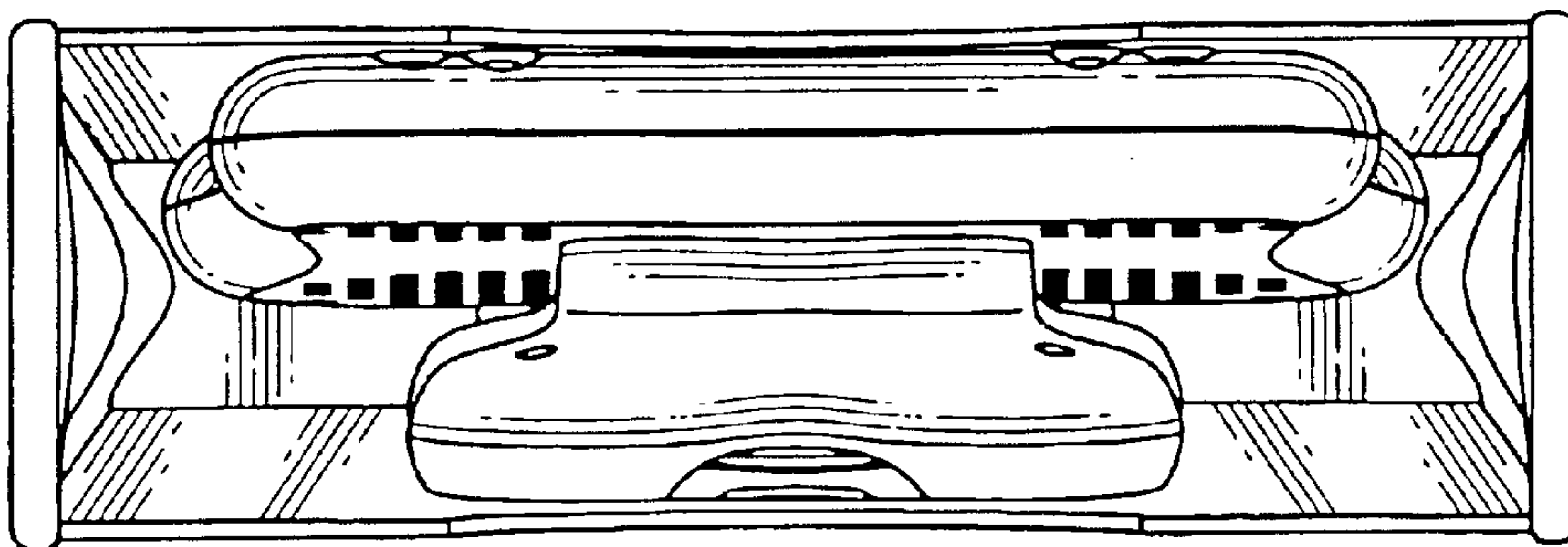


FIG. 7