

US00D497906S1

(12) **United States Design Patent**
Kellom et al.

(10) **Patent No.:** **US D497,906 S**

(45) **Date of Patent:** **** Nov. 2, 2004**

(54) **AUDIO COMPONENT FRONT FACE**

D398,932 S * 9/1998 Tokiyama et al. D14/257
D447,134 S * 8/2001 Kiai D14/257
D477,134 S 7/2003 Palmer

(75) Inventors: **Marc Kellom**, Granger, IN (US);
Robert Chadderdon, Niles, MI (US);
Stephen Morris, Granger, IN (US);
Roderick Growcock, Goshen, IN (US)

* cited by examiner

Primary Examiner—Nanda Bondade

(74) *Attorney, Agent, or Firm*—Plumsea Law Group, LLC

(73) Assignee: **Harman International Industries, Incorporated**, Northridge, CA (US)

(57) **CLAIM**

(**) Term: **14 Years**

The ornamental design for an audio component front face, as shown and described.

(21) Appl. No.: **29/178,487**

DESCRIPTION

(22) Filed: **Mar. 28, 2003**

(51) **LOC (7) Cl.** **14-01**

(52) **U.S. Cl.** **D14/257**

(58) **Field of Search** D14/156–157,
D14/160–165, 167–168, 188, 257–258;
369/75.1, 75.2, 77.1, 77.2

FIG. 1 is a perspective view of an audio component front face in accordance with our invention;
FIG. 2 is a front elevational view thereof;
FIG. 3 is a side elevational view thereof, viewed from the left side of FIG. 2;
FIG. 4 is a cross-sectional view taken along line 4—4 of FIG. 2; and,
FIG. 5 is a bottom plan view thereof.

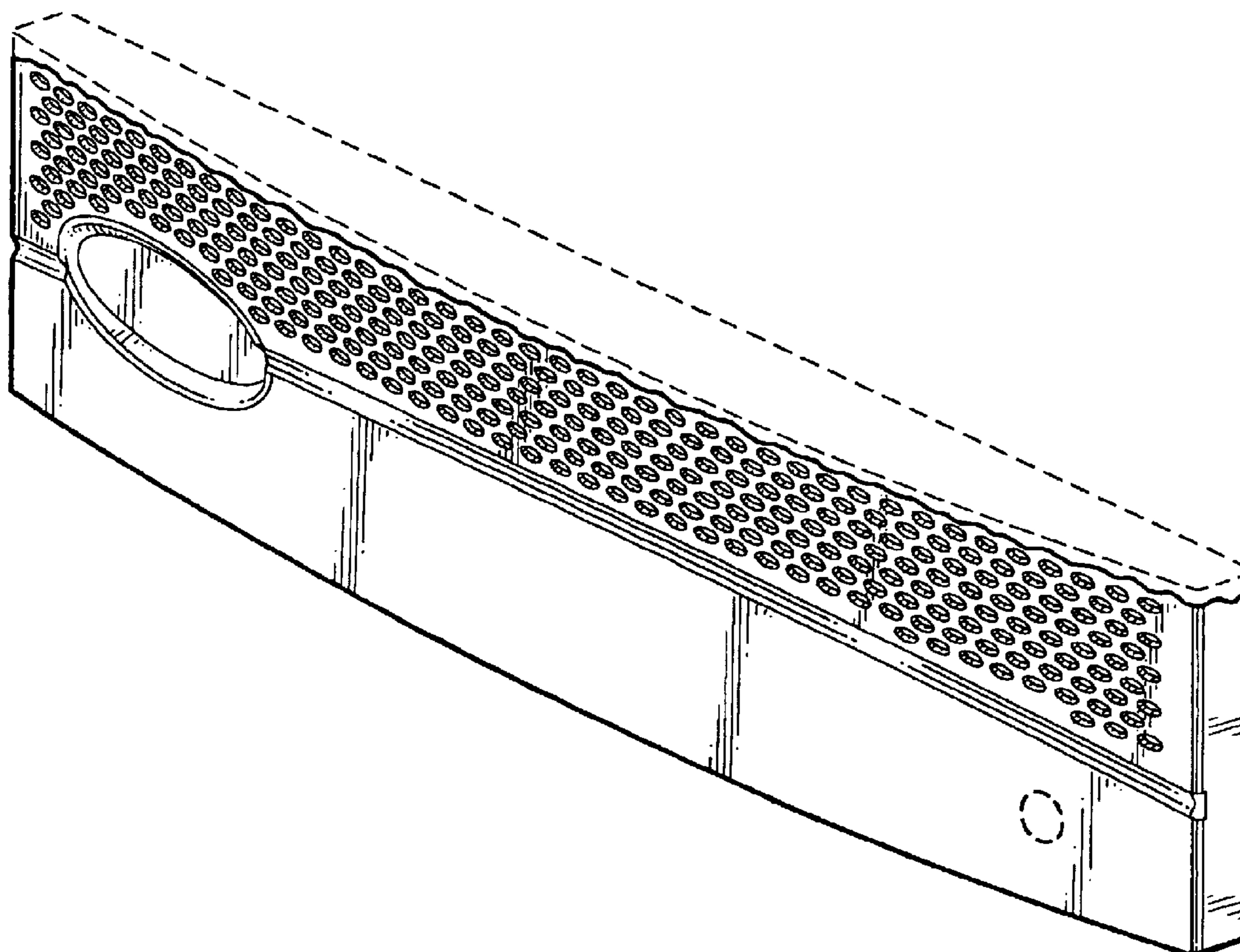
The jagged solid line is intended to illustrate the boundary of the claimed design and not part of the design. The broken line showings of the circle in the claimed area, and the remainder of the audio component are for illustrative purposes only and form no part of the claimed invention.

(56) **References Cited**

U.S. PATENT DOCUMENTS

D137,625 S 4/1944 Peterson
D183,182 S 7/1958 Reinecke
D355,197 S * 2/1995 Farinelli et al. D14/257
D373,589 S 9/1996 Peterson et al.
D376,153 S 12/1996 Larson et al.

1 Claim, 4 Drawing Sheets



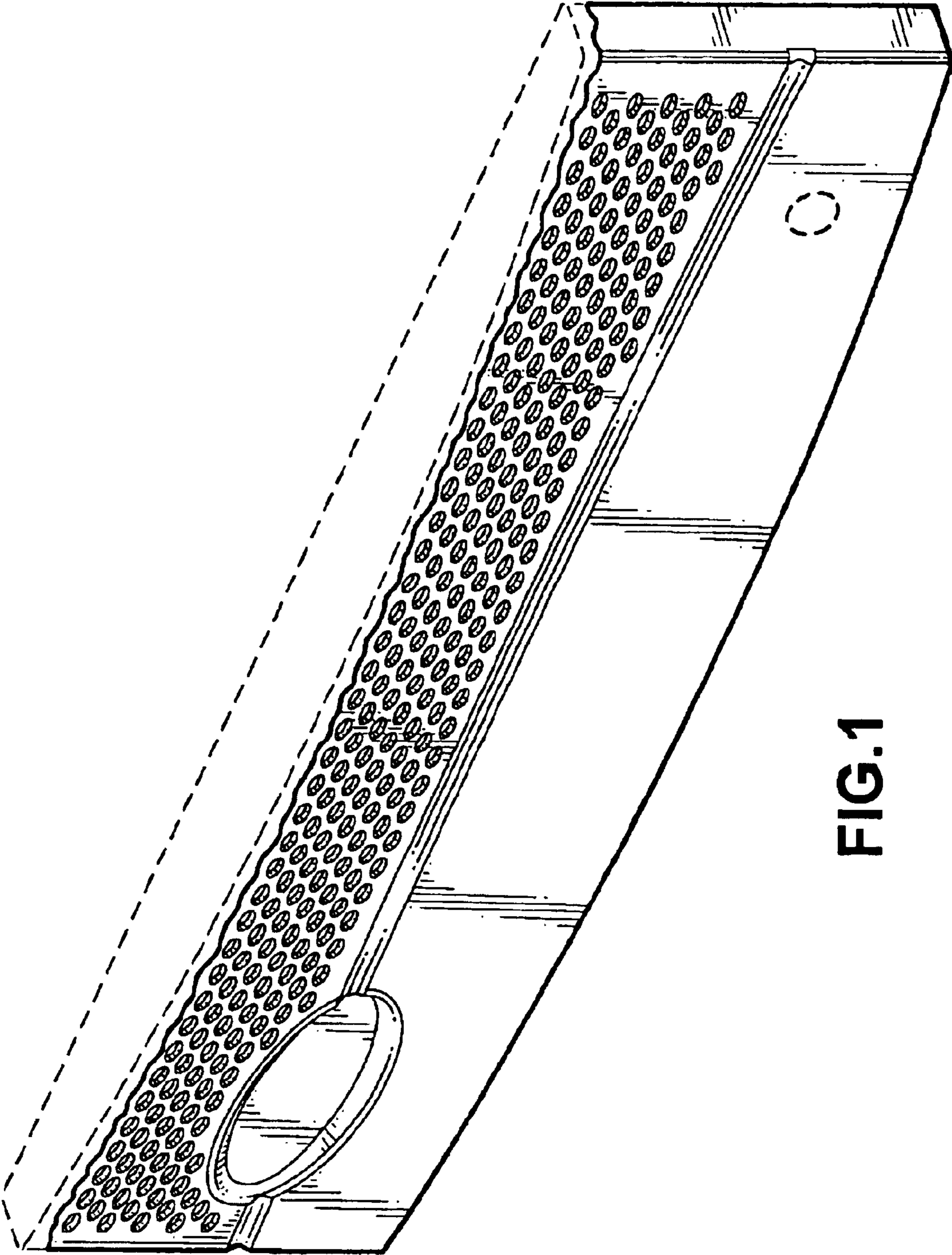


FIG.1

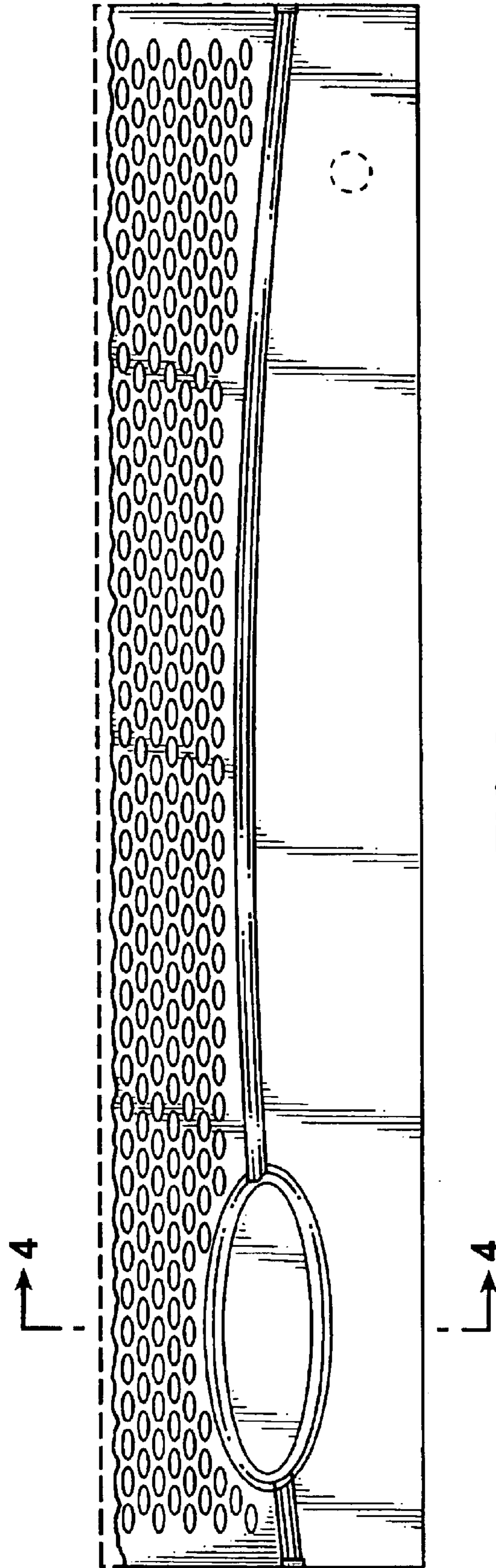


FIG.2

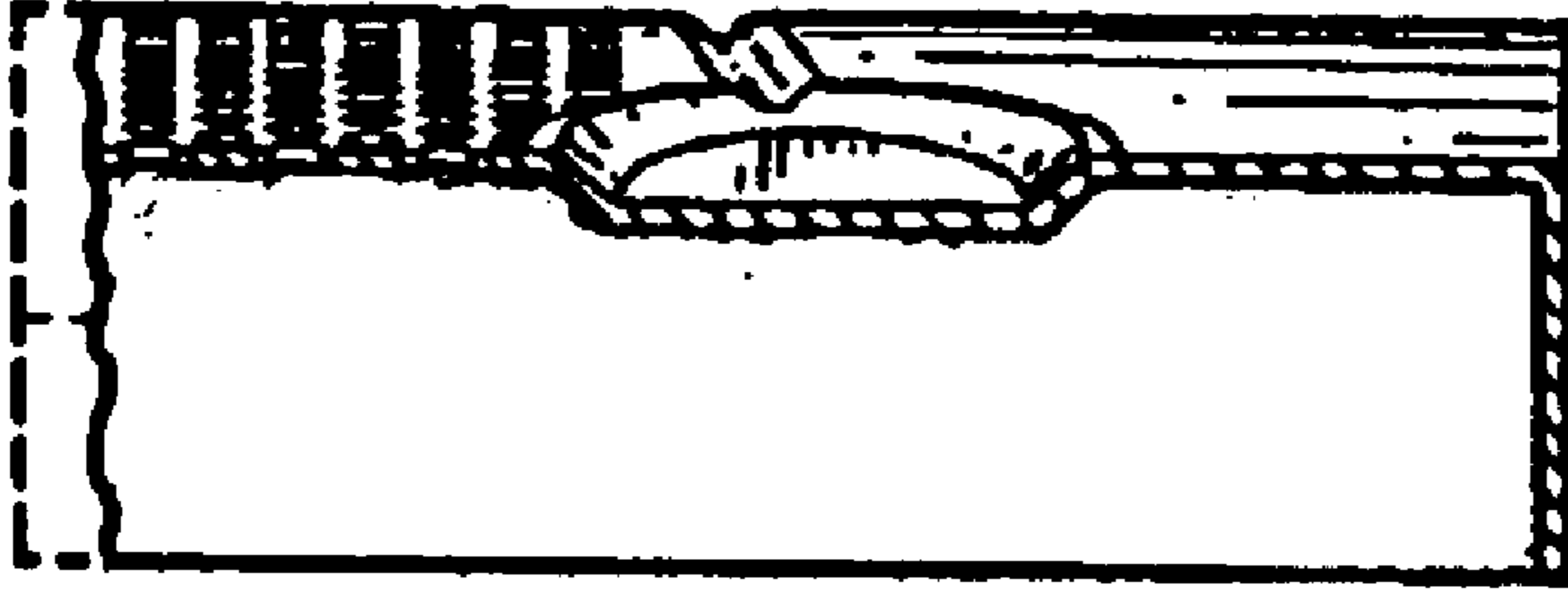


FIG. 4

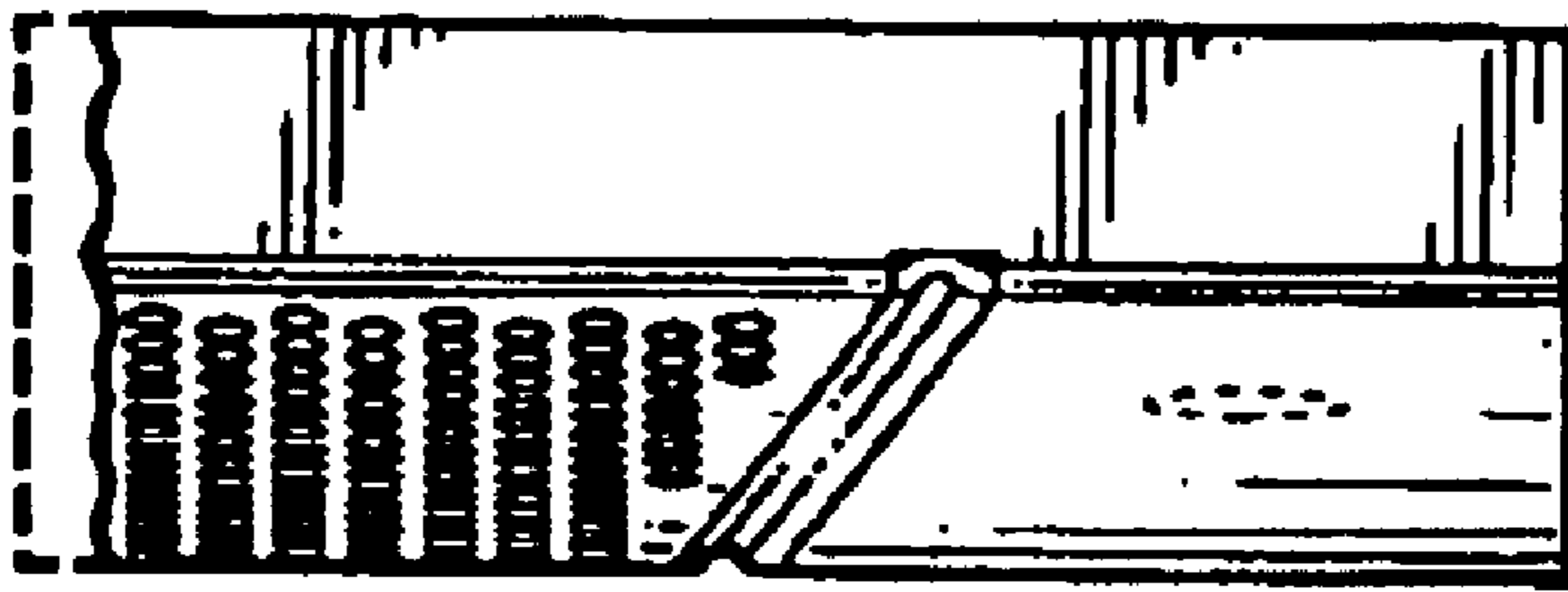


FIG. 3

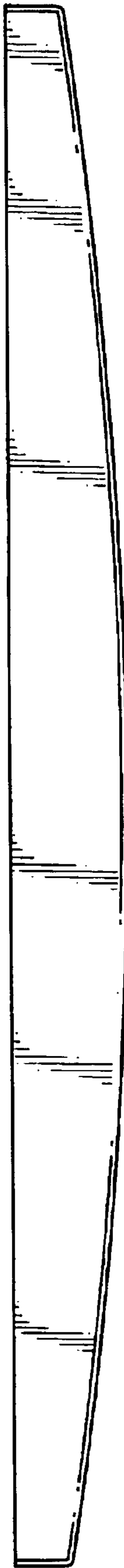


FIG. 5