

US00D497905S1

(12) **United States Design Patent**
Takimoto

(10) **Patent No.:** **US D497,905 S**
(45) **Date of Patent:** **** Nov. 2, 2004**

(54) **WIRELESS INTERNET GATEWAY**

FOREIGN PATENT DOCUMENTS

(75) **Inventor:** **Makoto Takimoto, Nara-ken (JP)**
(73) **Assignee:** **Sharp Kabushiki Kaisha, Osaka (JP)**
(**) **Term:** **14 Years**

GB 2023662 * 11/1992
GB 2053097 * 10/1996
GB 2103121 * 11/2001
GB 2106052 * 4/2002
WO DM/063317 * 3/2003 13/3

* cited by examiner

(21) **Appl. No.:** **29/175,171**

Primary Examiner—Charles A. Rademaker

(22) **Filed:** **Jan. 31, 2003**

(74) *Attorney, Agent, or Firm*—Nixon & Vanderhye

(30) **Foreign Application Priority Data**

Aug. 7, 2002 (JP) 2002-021085

(57) **CLAIM**

(51) **LOC (7) Cl.** **14-03**

The ornamental design for a “wireless internet gateway,” as shown and described.

(52) **U.S. Cl.** **D14/240**

DESCRIPTION

(58) **Field of Search** D14/240, 243.3,
D14/553, 140, 358; 379/333–337, 730,
826, 387, 399.01, 399.02, 413.02, 413.04,
419, 420, 67.01; 455/19; 361/728, 730,
600, 622

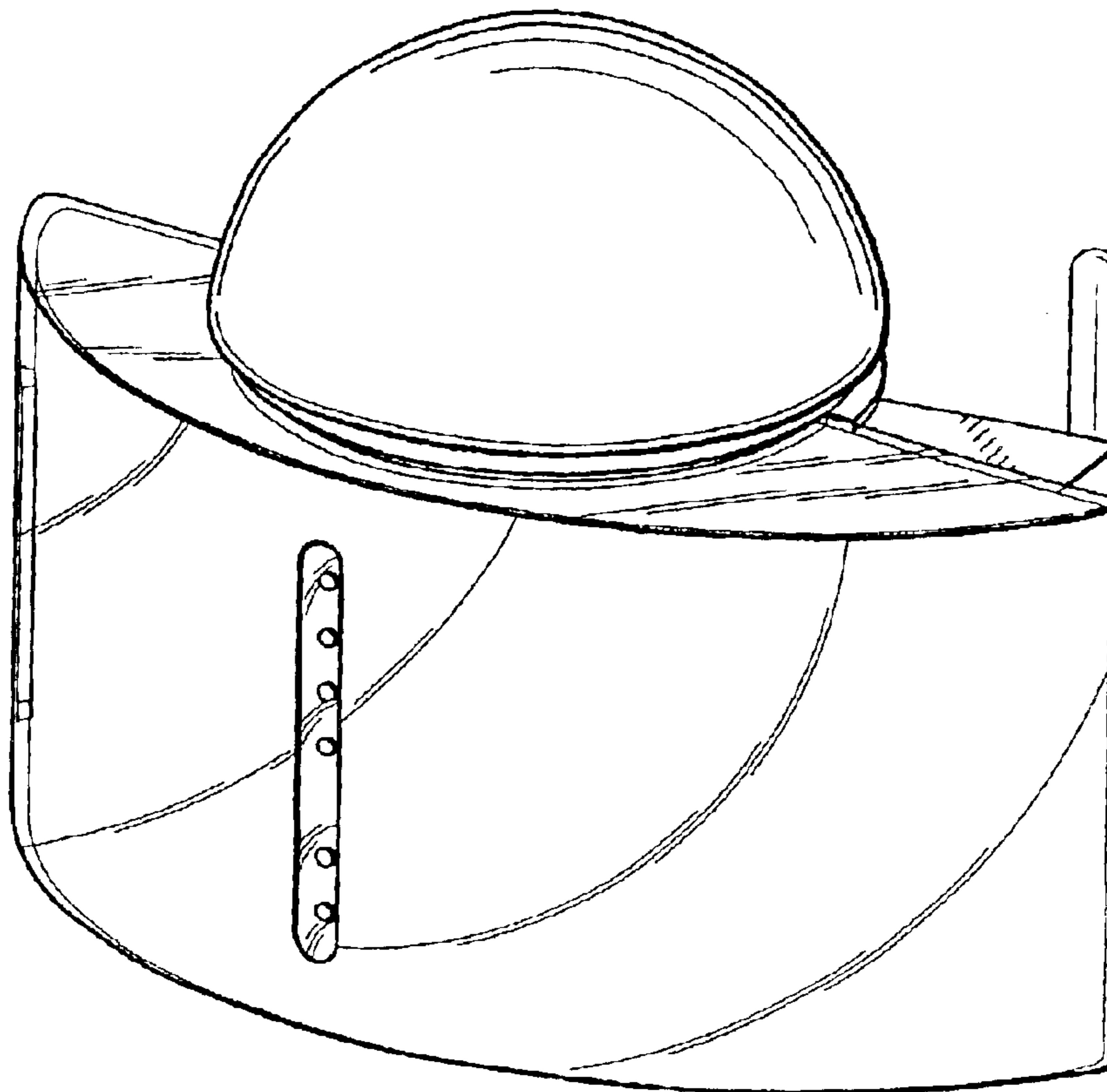
FIG. 1 is a top, front and right side perspective view of a wireless internet gateway according to my design;
FIG. 2 is a front elevational view thereof;
FIG. 3 is a rear elevational view thereof;
FIG. 4 is a top plan view thereof;
FIG. 5 is a bottom plan view thereof;
FIG. 6 is a right side elevational view thereof; and,
FIG. 7 is a left side elevational view thereof.

(56) **References Cited**

U.S. PATENT DOCUMENTS

D478,580 S * 8/2003 Schmidt et al. D14/240
D480,716 S * 10/2003 Saikawa et al. D14/242
D484,879 S * 1/2004 Jones D14/358

1 Claim, 4 Drawing Sheets



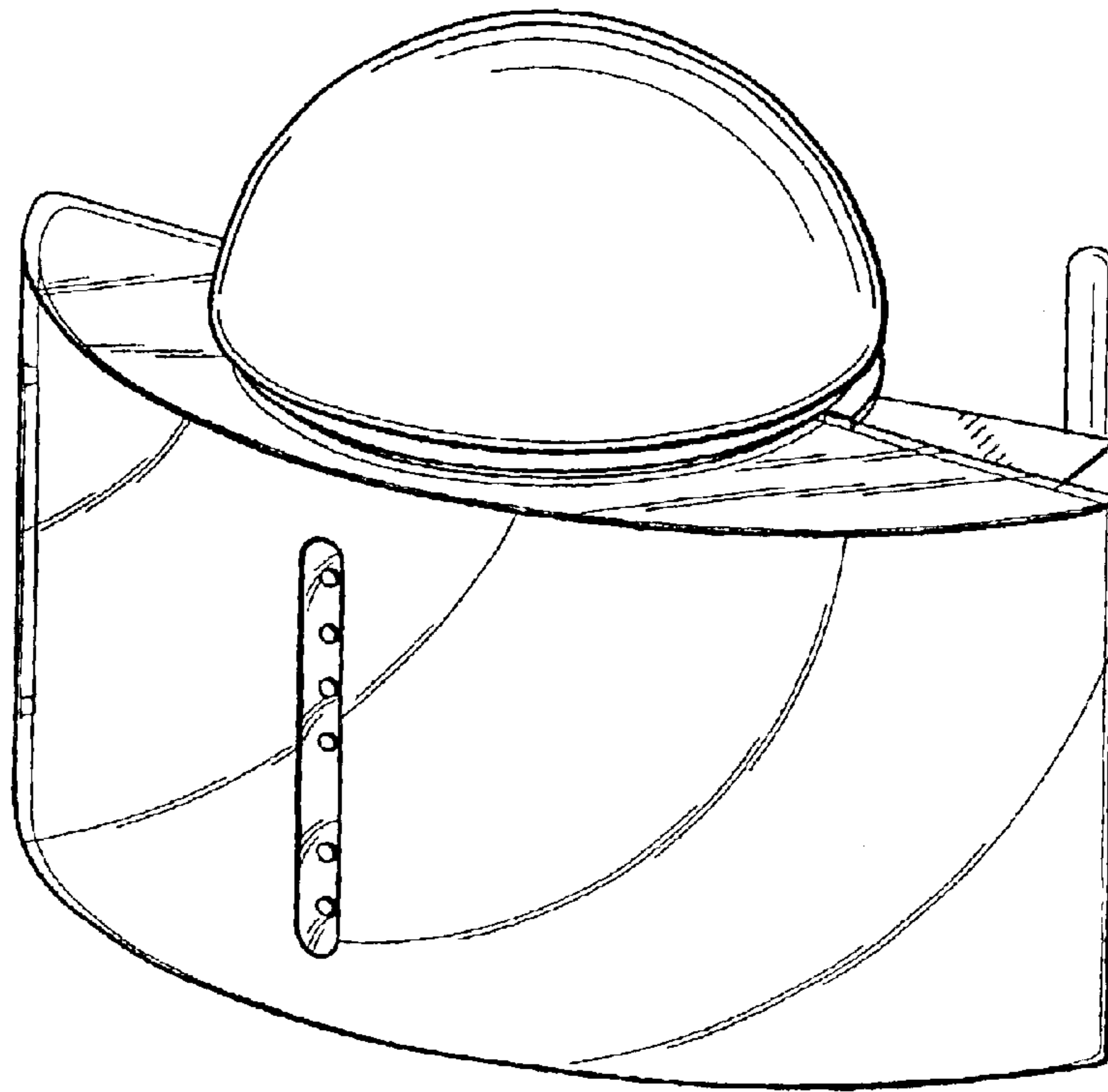


Fig1

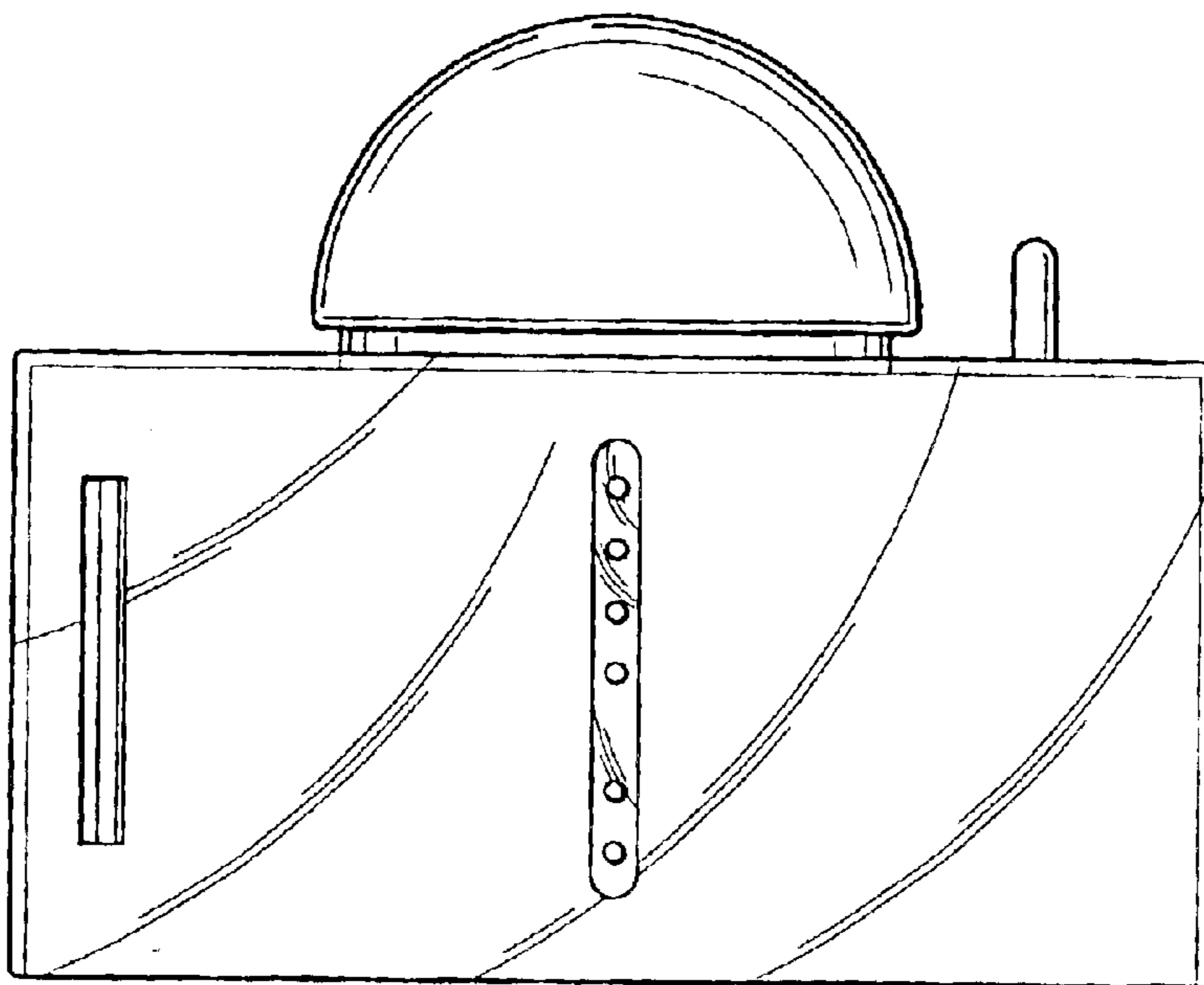


Fig.2

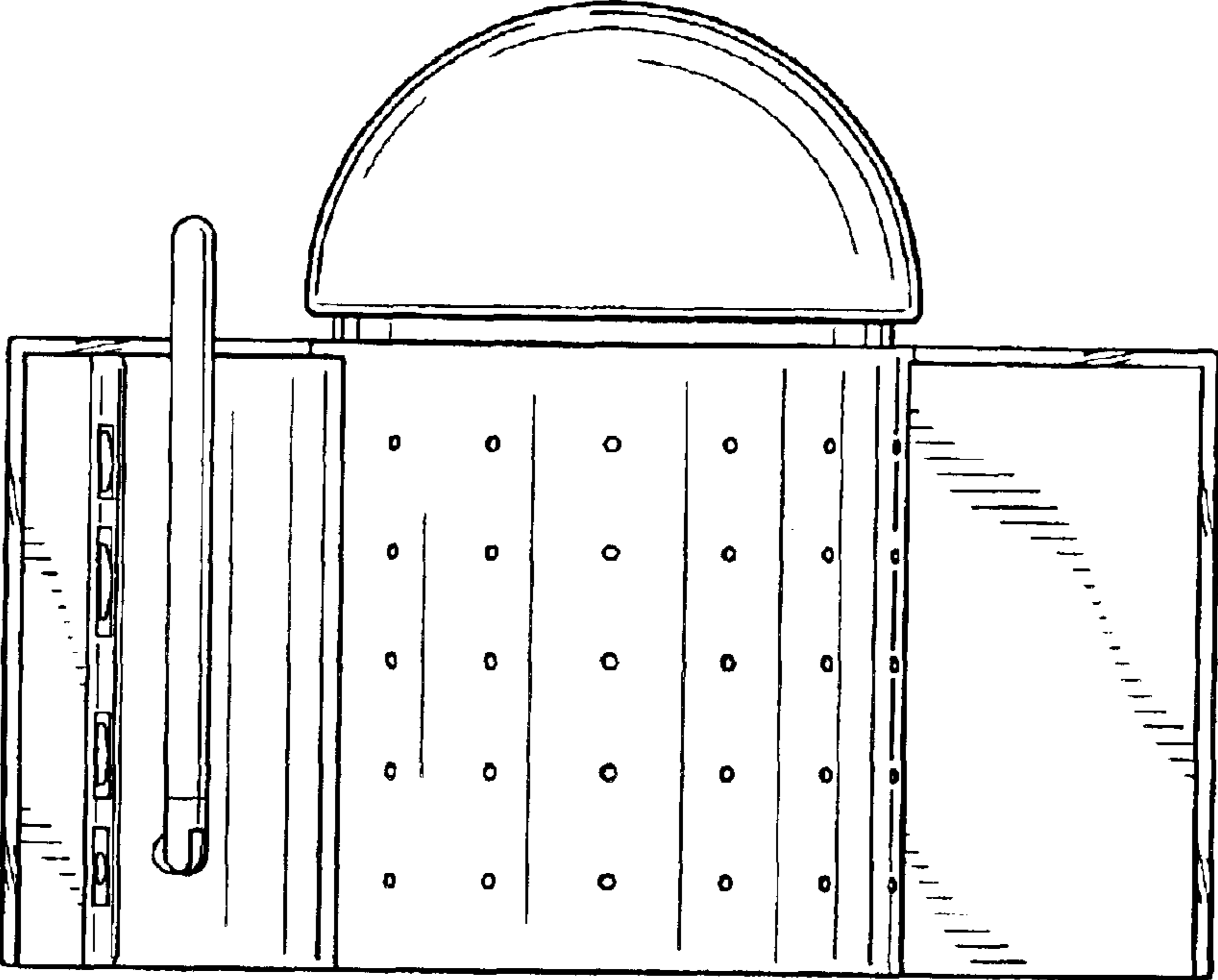


Fig.3

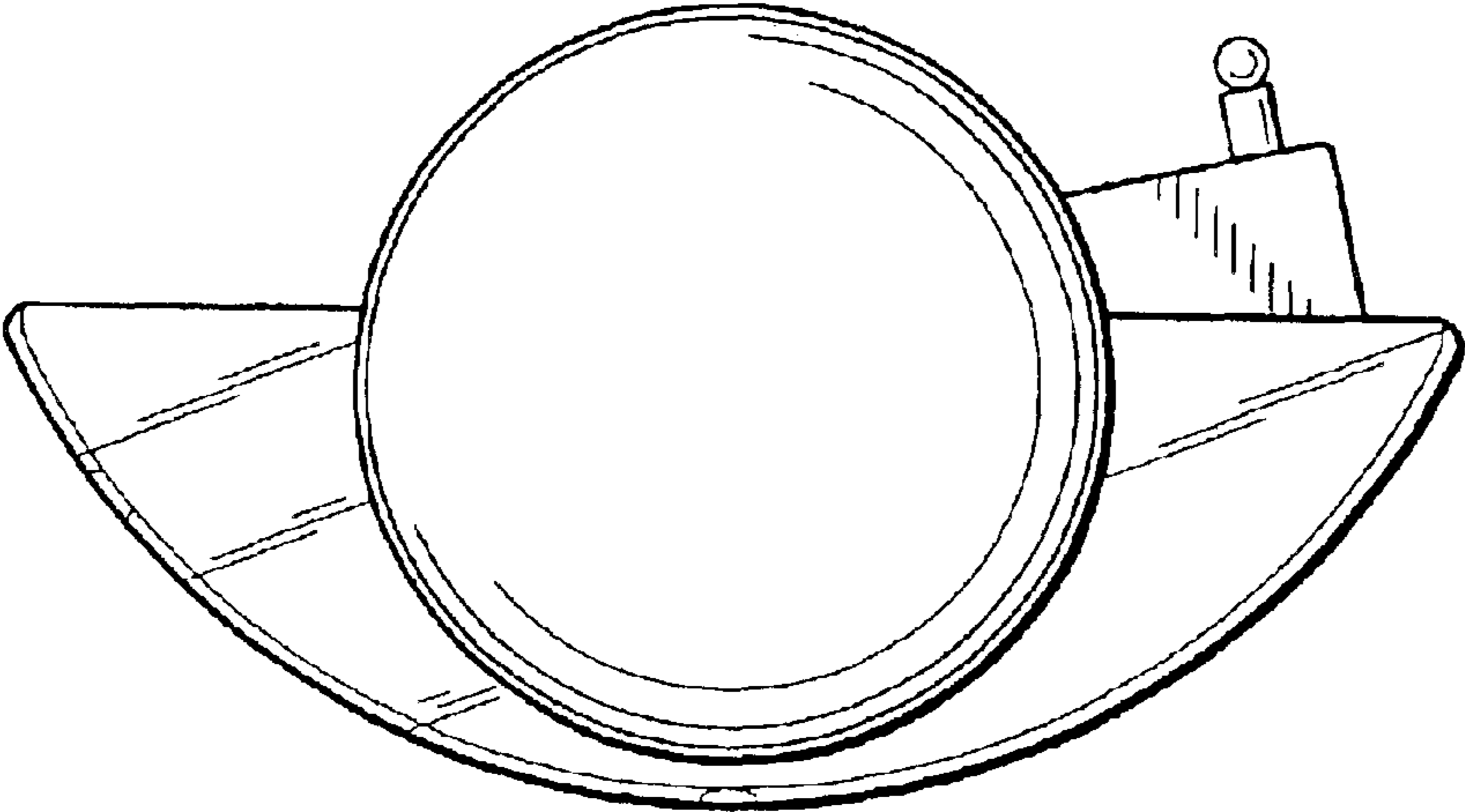


Fig.4

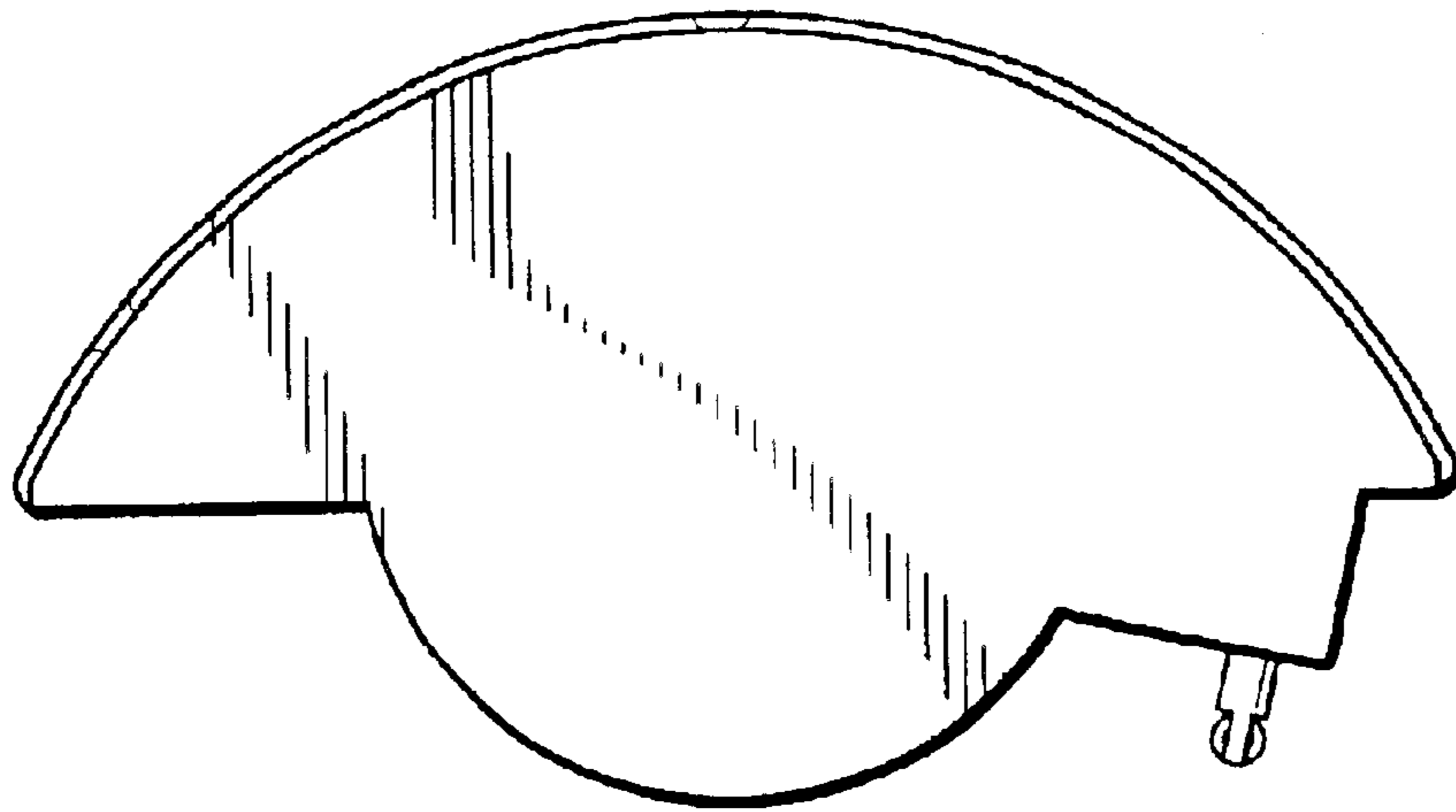


Fig.5

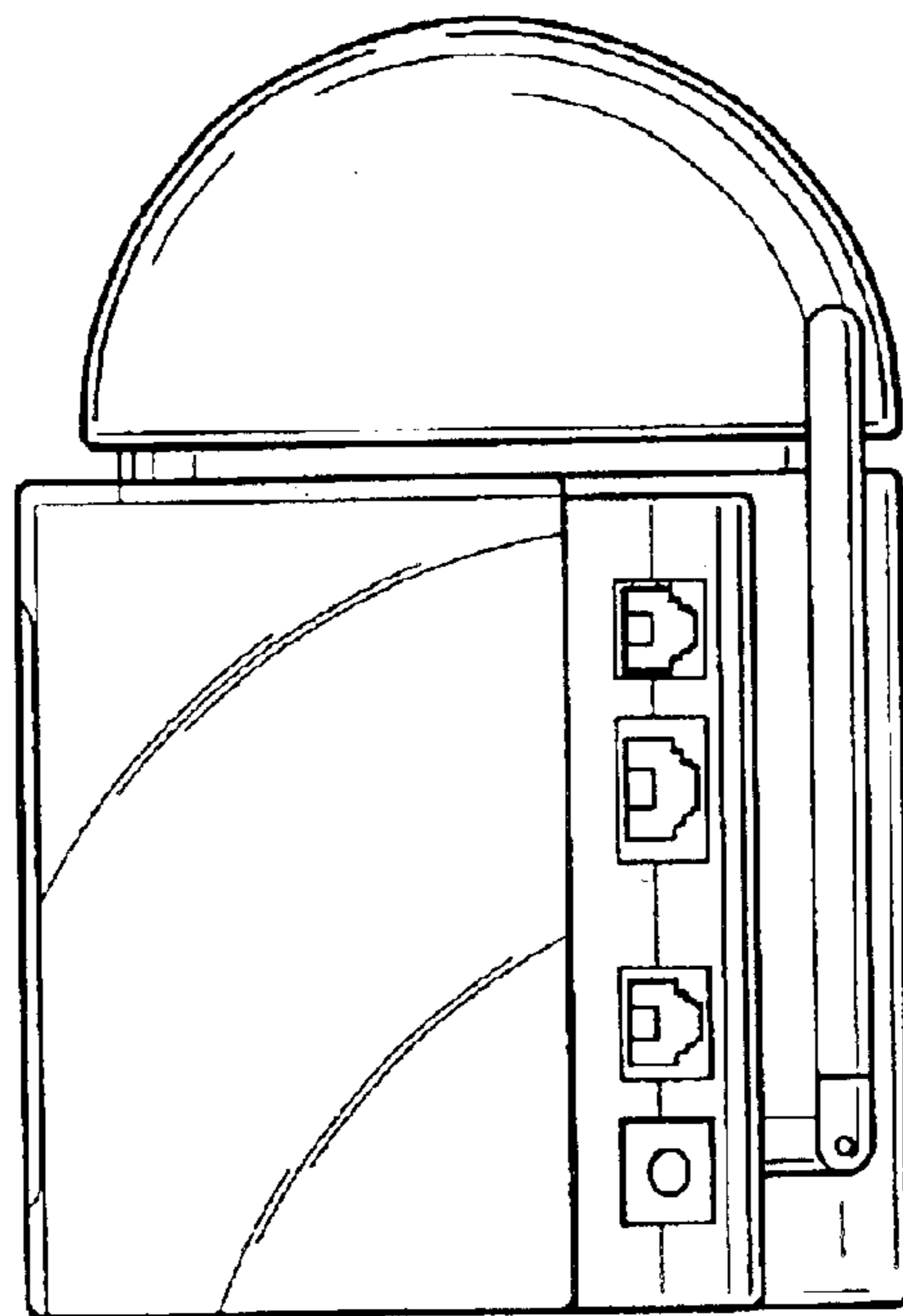


Fig.6

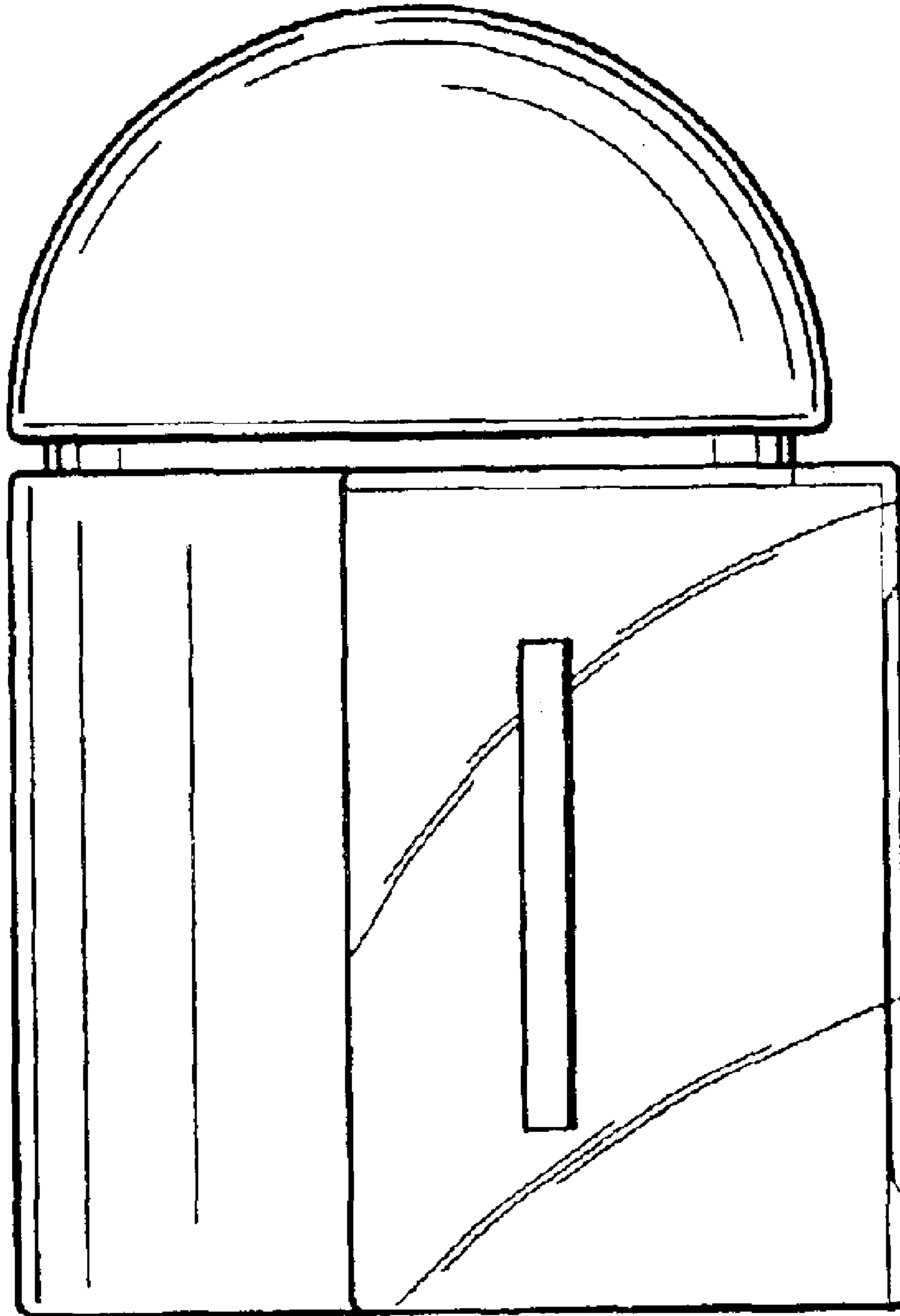


Fig.7