

US00D497903S1

(12) **United States Design Patent**  
**Chin et al.**

(10) **Patent No.:** **US D497,903 S**

(45) **Date of Patent:** **\*\* Nov. 2, 2004**

(54) **SPEAKER**

D393,642 S \* 4/1998 Yuyama ..... D14/216  
D448,017 S \* 9/2001 Hasbrook ..... D14/216

(75) Inventors: **Eric Y. Chin**, Irvine, CA (US); **Steven Chen**, Irvine, CA (US)

\* cited by examiner

(73) Assignee: **Realworld Technology Inc.**, City of Industry, CA (US)

*Primary Examiner*—Nanda Bondade

(\*\*) Term: **14 Years**

(57) **CLAIM**

The ornamental design for a speaker, as shown and described.

(21) Appl. No.: **29/197,568**

**DESCRIPTION**

(22) Filed: **Jan. 16, 2004**

(51) **LOC (7) Cl.** ..... **14-01**

(52) **U.S. Cl.** ..... **D14/216; D14/211; D14/207**

(58) **Field of Search** ..... D14/204, 207,  
D14/209–216, 356; 181/143–144, 147–148,  
150, 157, 198–199, 151, 153; 381/300–302,  
306, 333, 345, 361–364, 386–388, 332,  
336

FIG. 1 is a perspective view of a speaker showing the new design.

FIG. 2 is a front elevational view thereof.

FIG. 3 is a rear elevational view thereof.

FIG. 4 is a left side elevational view thereof.

FIG. 5 is a right side elevational view thereof.

FIG. 6 is a top plan view thereof; and,

FIG. 7 is a bottom plan view thereof.

The functional features shown in broken line in the left side elevational view are shown for illustrative purpose only and form no limitation to the claimed design.

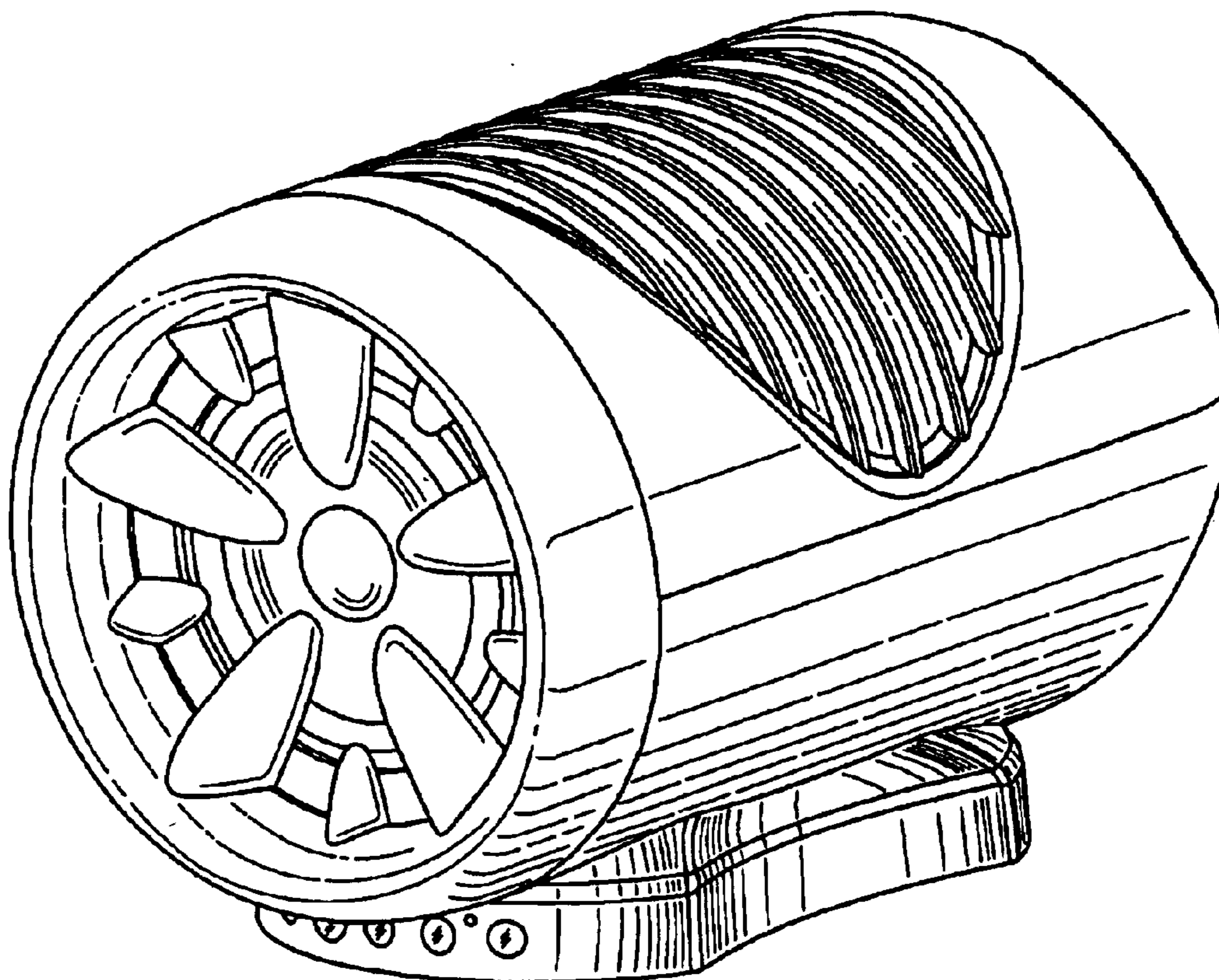
The broken line showing of the functional features on FIG. 5 is for illustrative purposes only and forms no part of the claimed design.

(56) **References Cited**

**U.S. PATENT DOCUMENTS**

2,896,737 A \* 7/1959 Gellman ..... 181/153  
D223,580 S \* 5/1972 Richards ..... D14/215  
D274,058 S \* 5/1984 Gross ..... D14/215  
D392,640 S \* 3/1998 Tully et al. .... D14/216

**1 Claim, 6 Drawing Sheets**



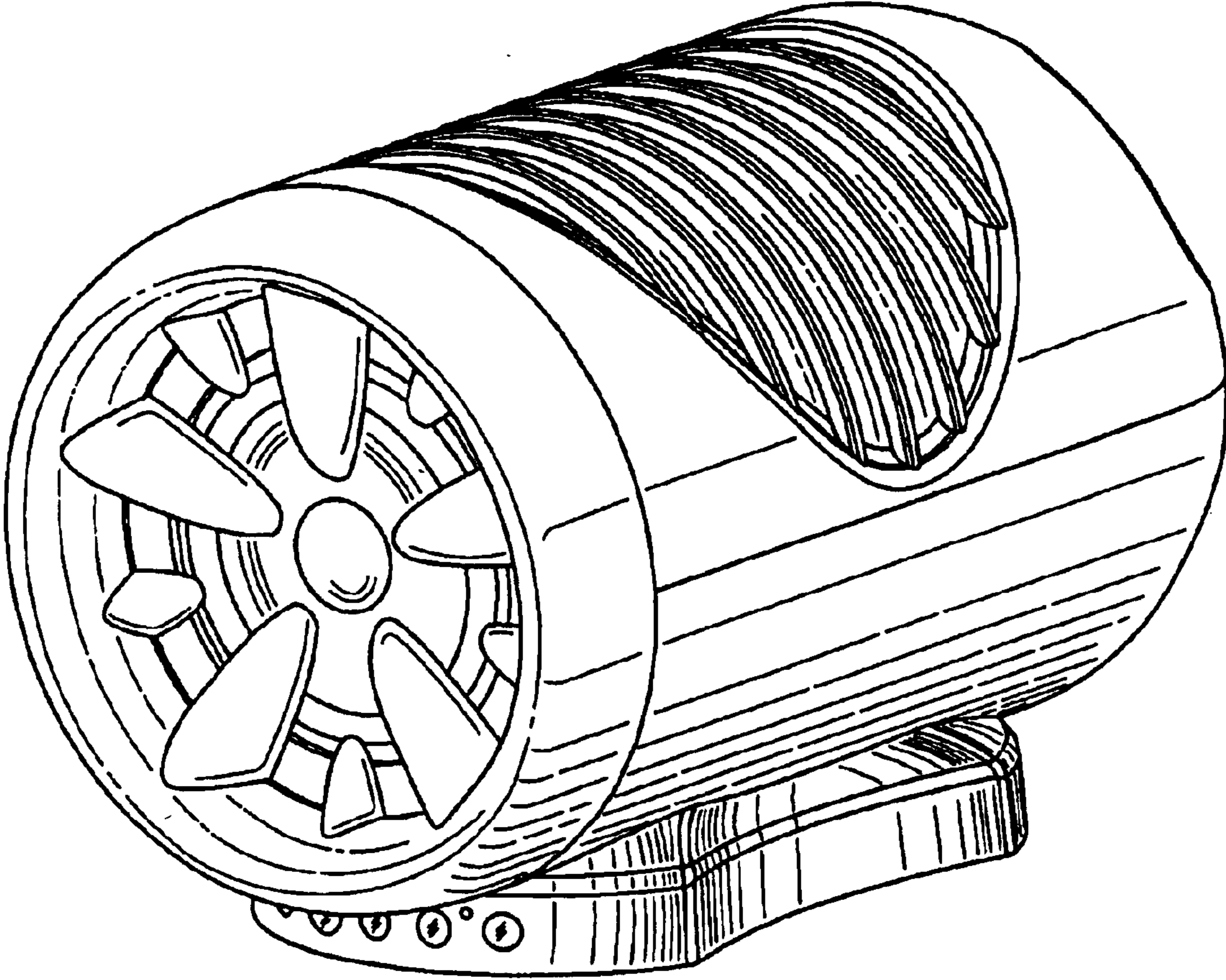


FIG. 1

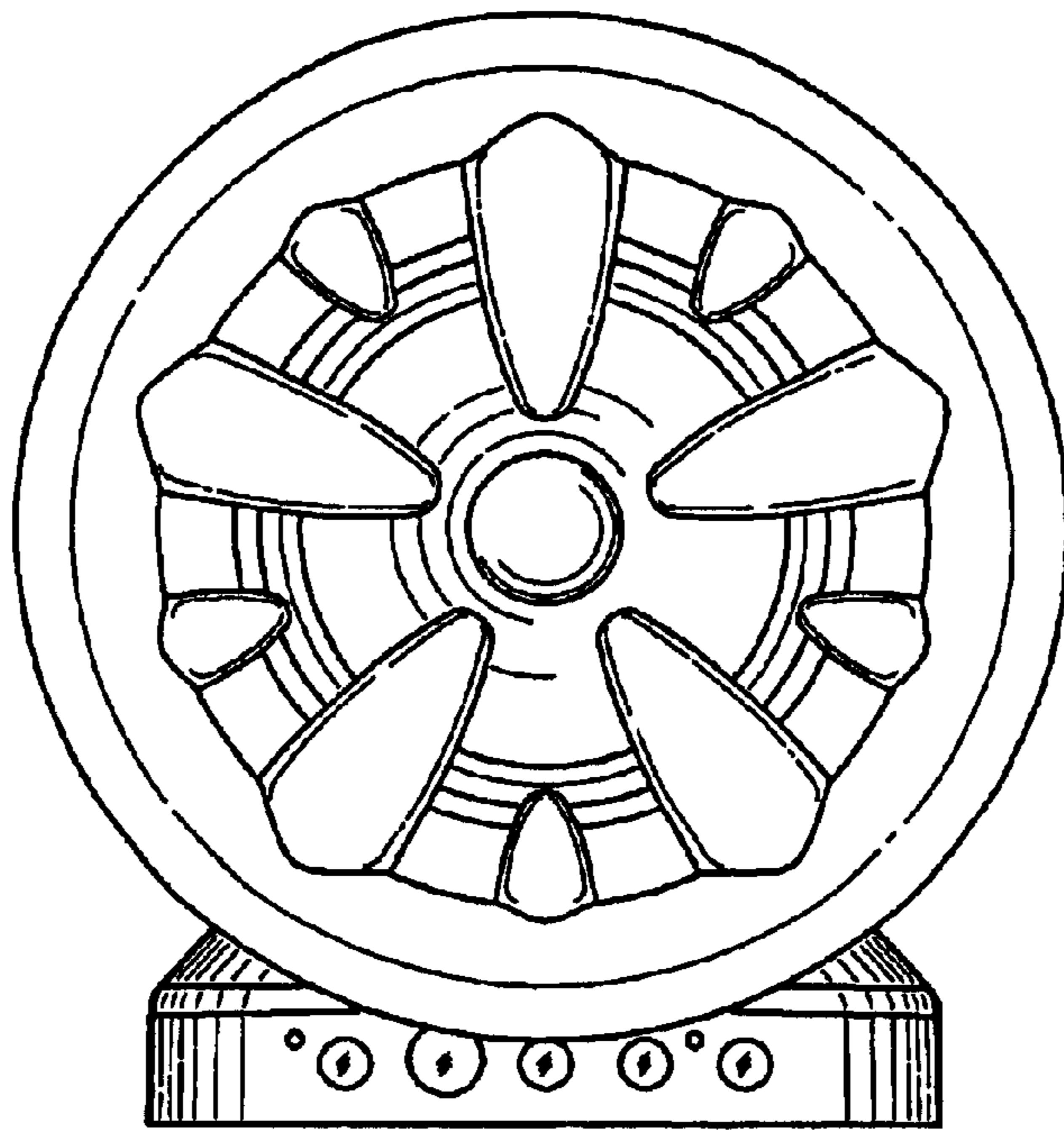


FIG. 2

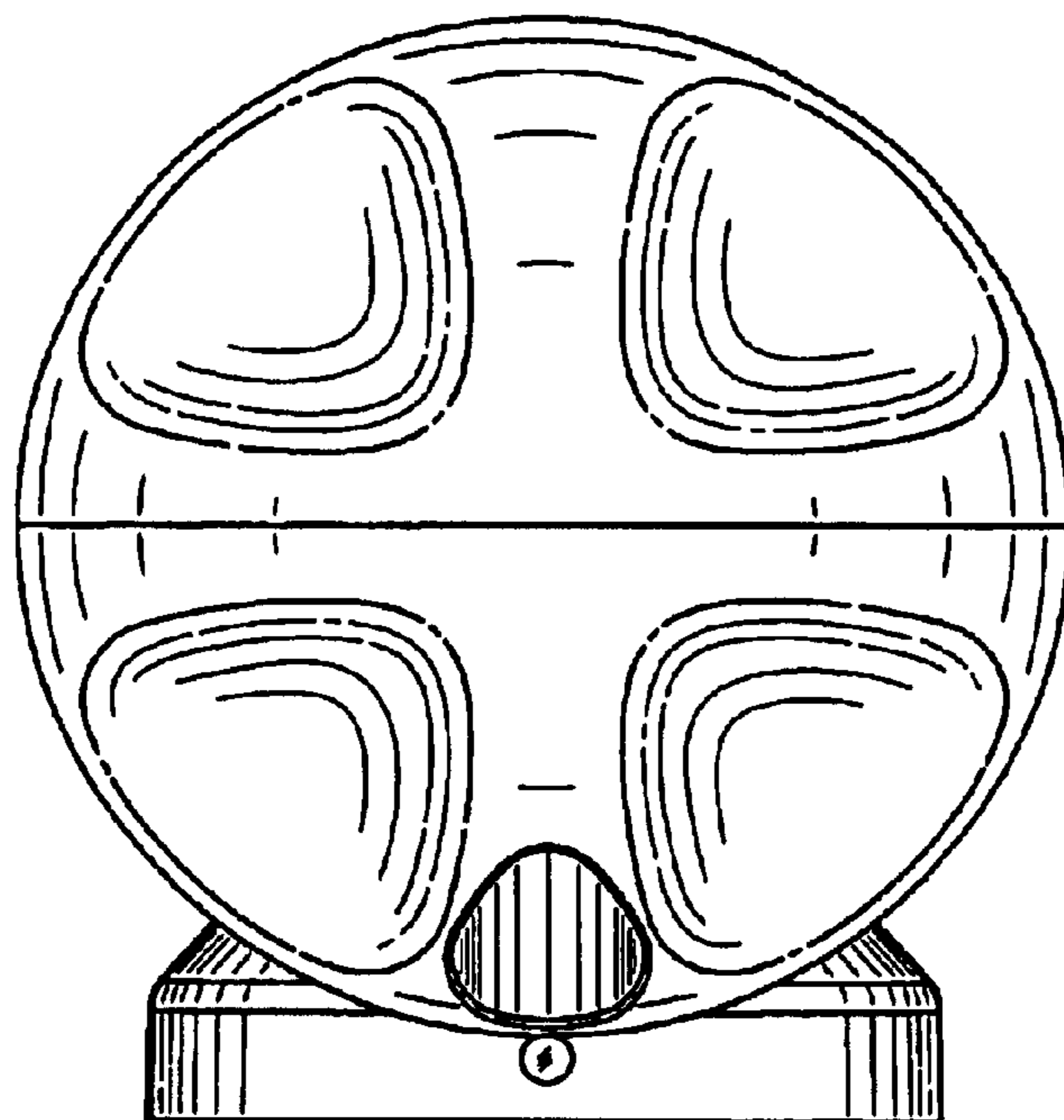


FIG. 3



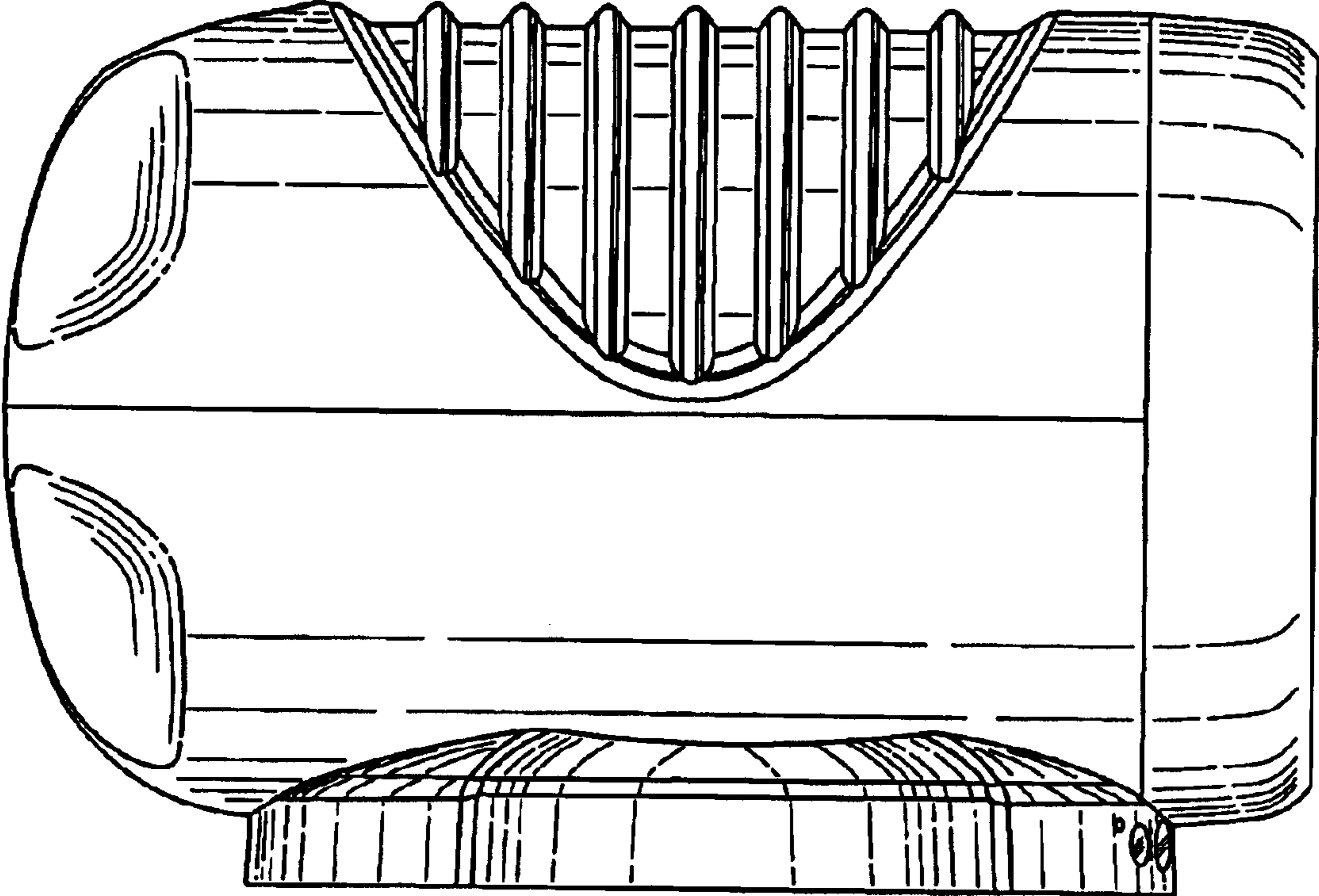


FIG. 4

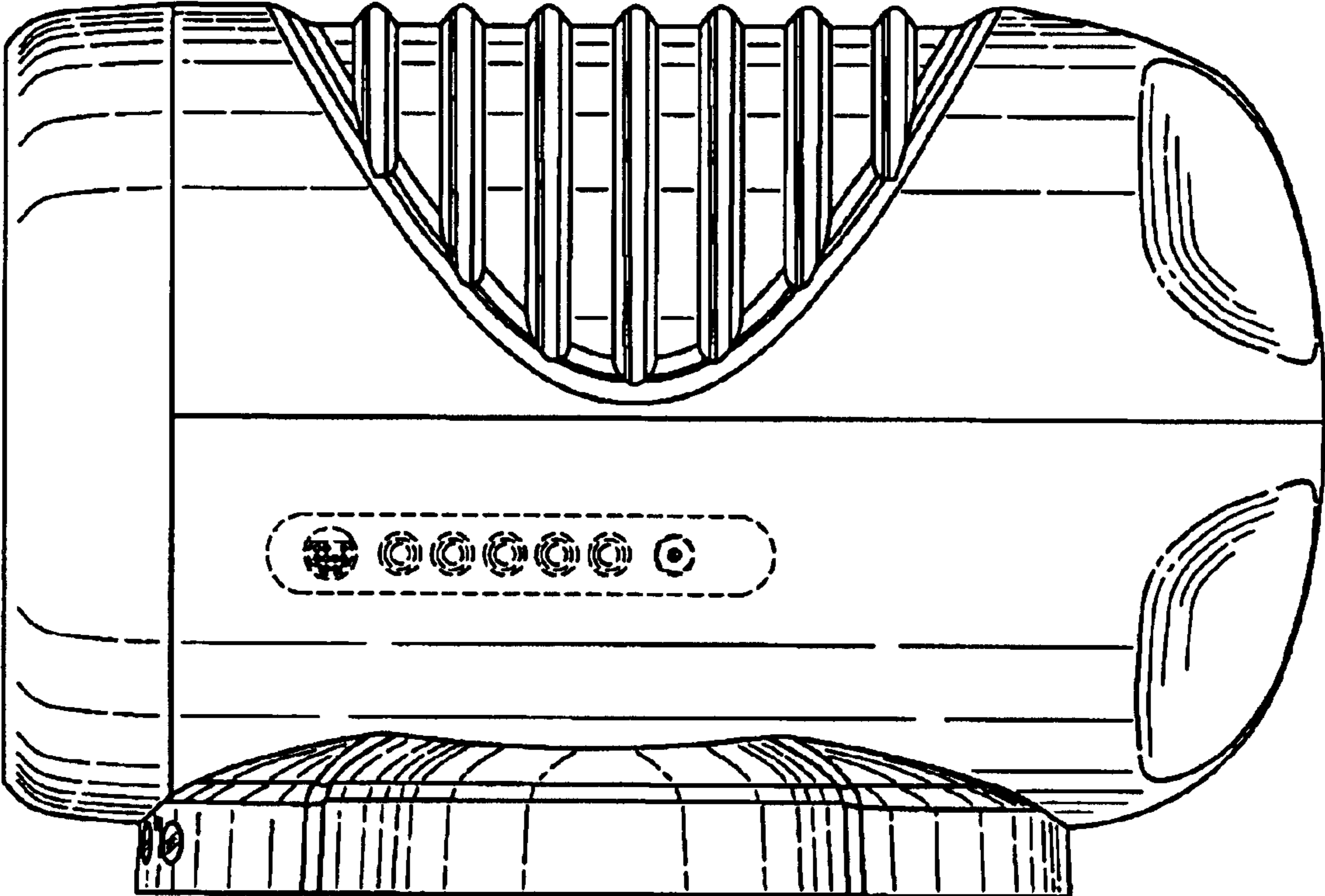


FIG. 5

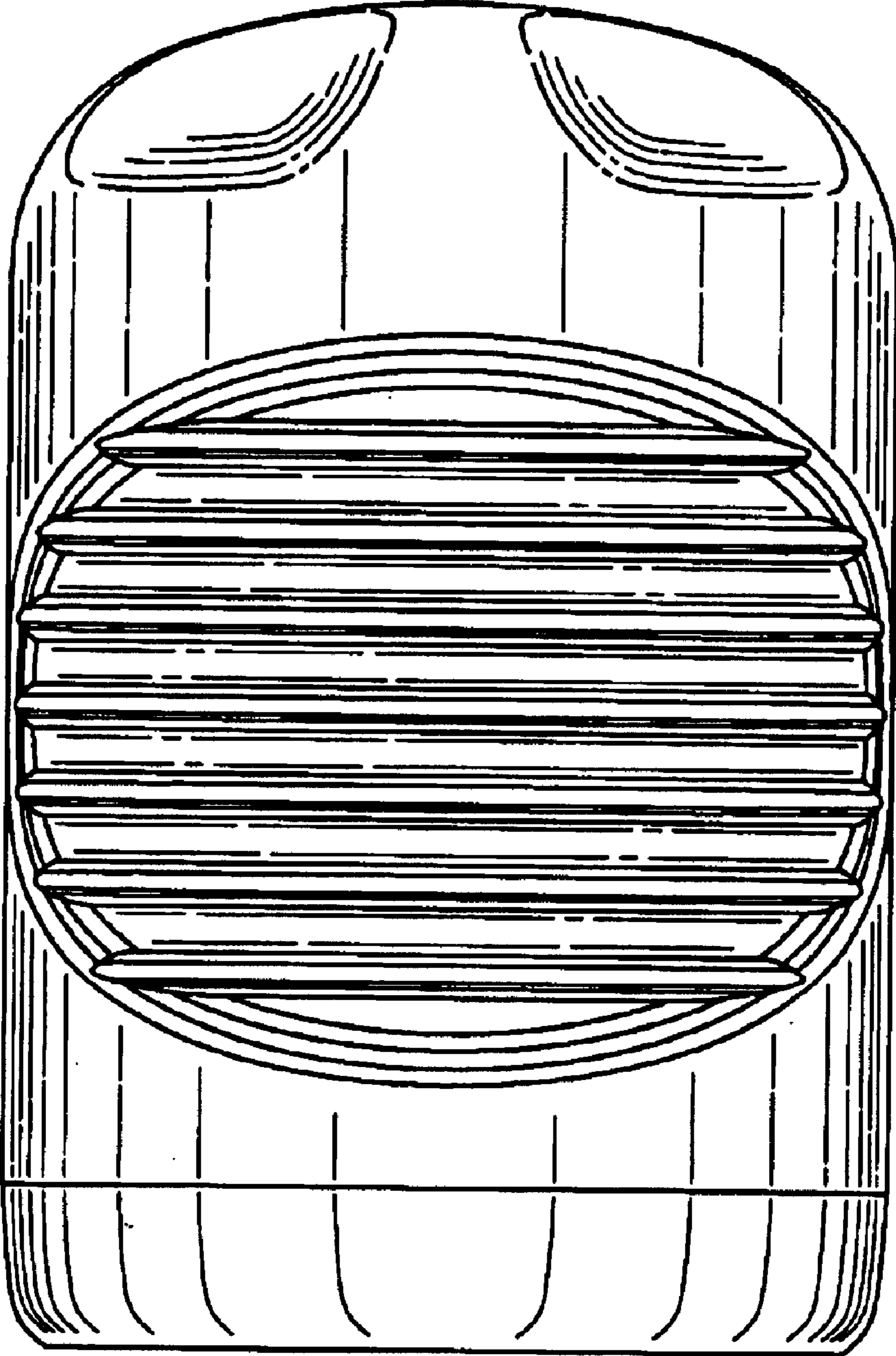


FIG. 6

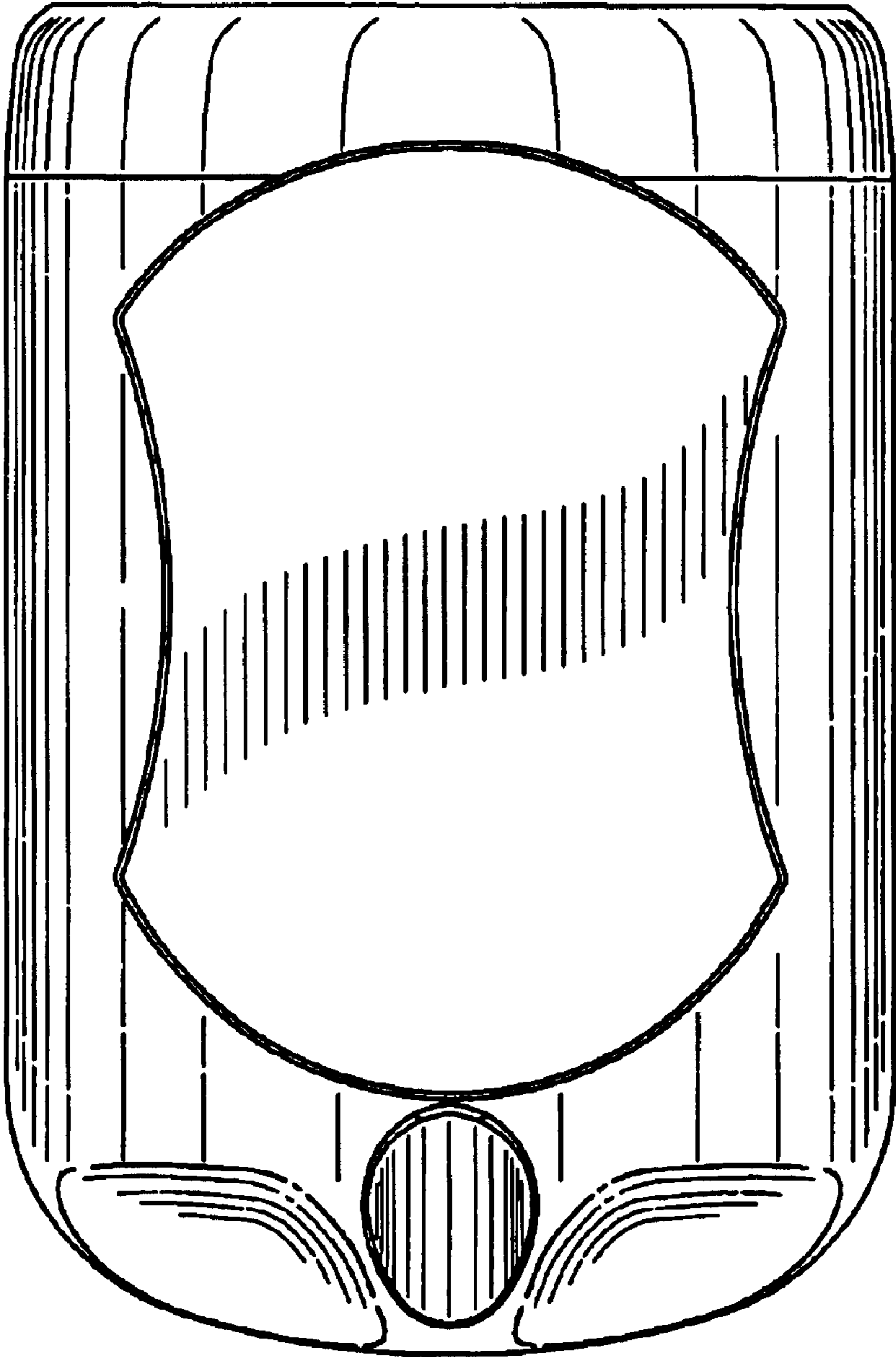


FIG. 7