

US00D497899S1

(12) **United States Design Patent** (10) **Patent No.:** **US D497,899 S**  
**Weikel et al.** (45) **Date of Patent:** **\*\* Nov. 2, 2004**

(54) **SPEAKER**

D462,066 S \* 8/2002 Mayette et al. .... D14/215  
D464,640 S \* 10/2002 Mayette et al. .... D14/214  
D465,212 S \* 11/2002 Lytel ..... D14/211

(75) Inventors: **Raymond Weikel**, Camas, WA (US);  
**Kevin Hlas**, Portland, OR (US); **Wells  
Brimhall**, Portland, OR (US); **Donald  
Mayette**, Vancouver, WA (US); **Omer  
Kotzer**, Portland, OR (US); **Jamian  
Cobbett**, Portland, OR (US)

\* cited by examiner

*Primary Examiner*—Nanda Bondade  
(74) *Attorney, Agent, or Firm*—Ipsolon LLP

(73) Assignee: **Logitech Europe S.A.**,  
Romanel-sur-Morges (CH)

(57) **CLAIM**

The ornamental design for a speaker, as shown and described.

(\*\*) Term: **14 Years**

**DESCRIPTION**

(21) Appl. No.: **29/182,848**

FIG. 1 is a front, right, perspective view of a speaker showing our new design;

(22) Filed: **May 30, 2003**

FIG. 2 is a rear, left perspective view thereof;

(51) **LOC (7) Cl.** ..... **14-01**

FIG. 3 is a right side, elevation view thereof, the left side elevation view being a mirror image;

(52) **U.S. Cl.** ..... **D14/214; D14/215; D14/211**

FIG. 4 is a front, elevation view thereof;

(58) **Field of Search** ..... D14/204, 207,

FIG. 5 is a top plan view thereof;

D14/209–216, 356; 181/143–144, 147–148,

FIG. 6 is a back elevation view thereof; and,

150, 157, 198–199, 151, 153; 381/300–302,

FIG. 7 is a bottom plan view thereof.

306, 333, 345, 361–364, 386–388, 332,

The broken lines showing the stand, mounting holes and hardware are for illustrative purpose only and form no part of the claimed design.

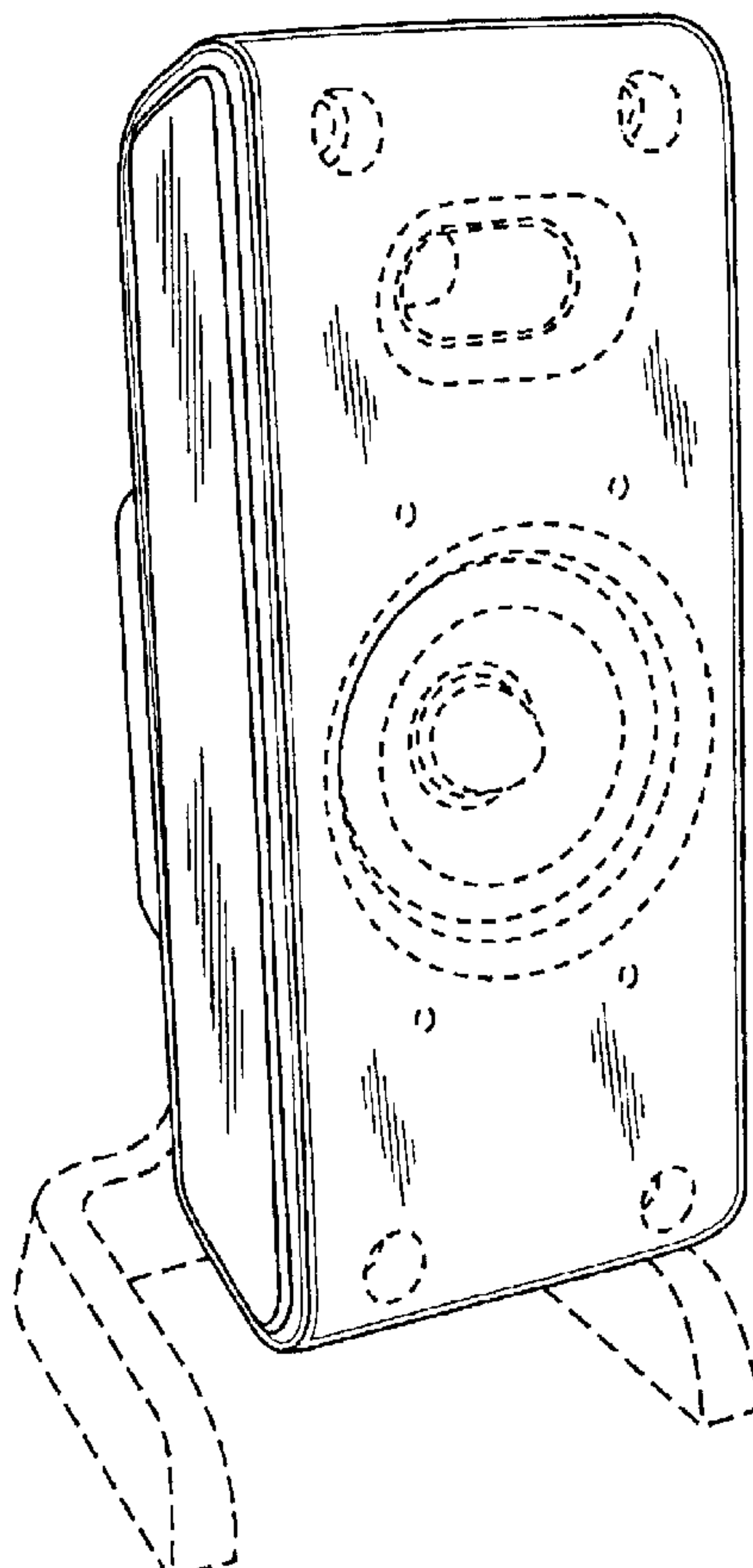
336

(56) **References Cited**

**U.S. PATENT DOCUMENTS**

5,067,583 A \* 11/1991 Hathaway ..... 181/151

**1 Claim, 3 Drawing Sheets**



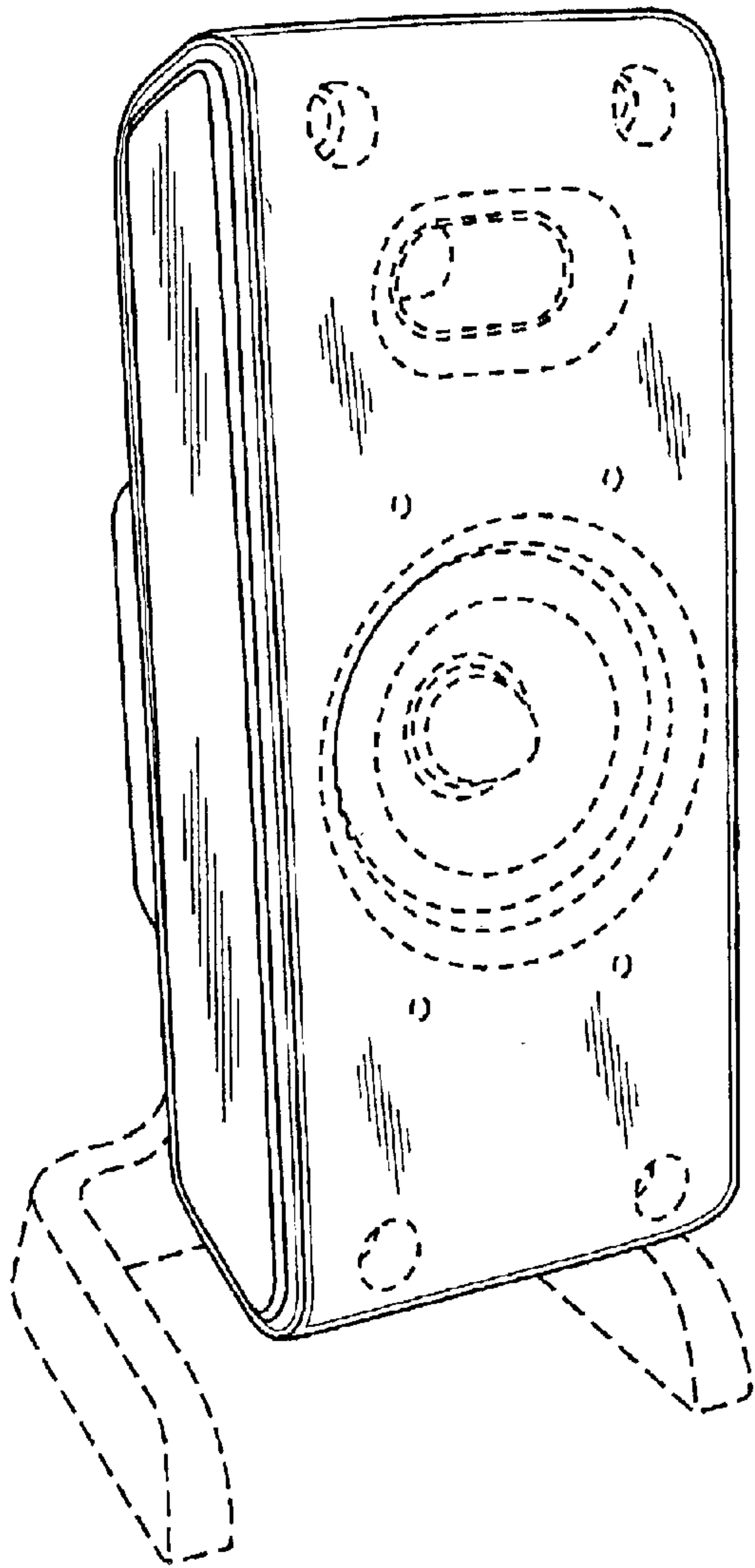


FIG. 1

FIG. 2

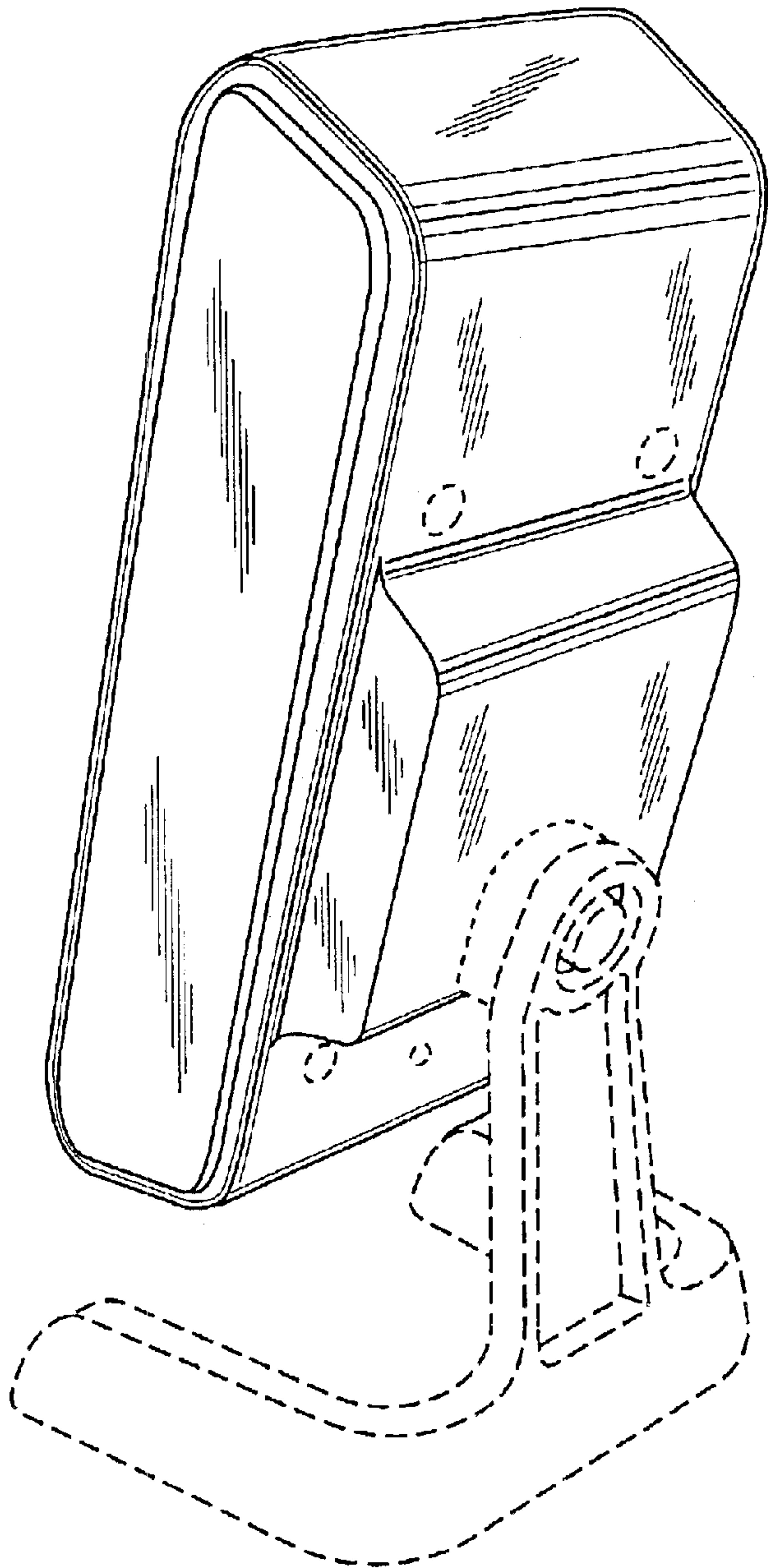


FIG. 3

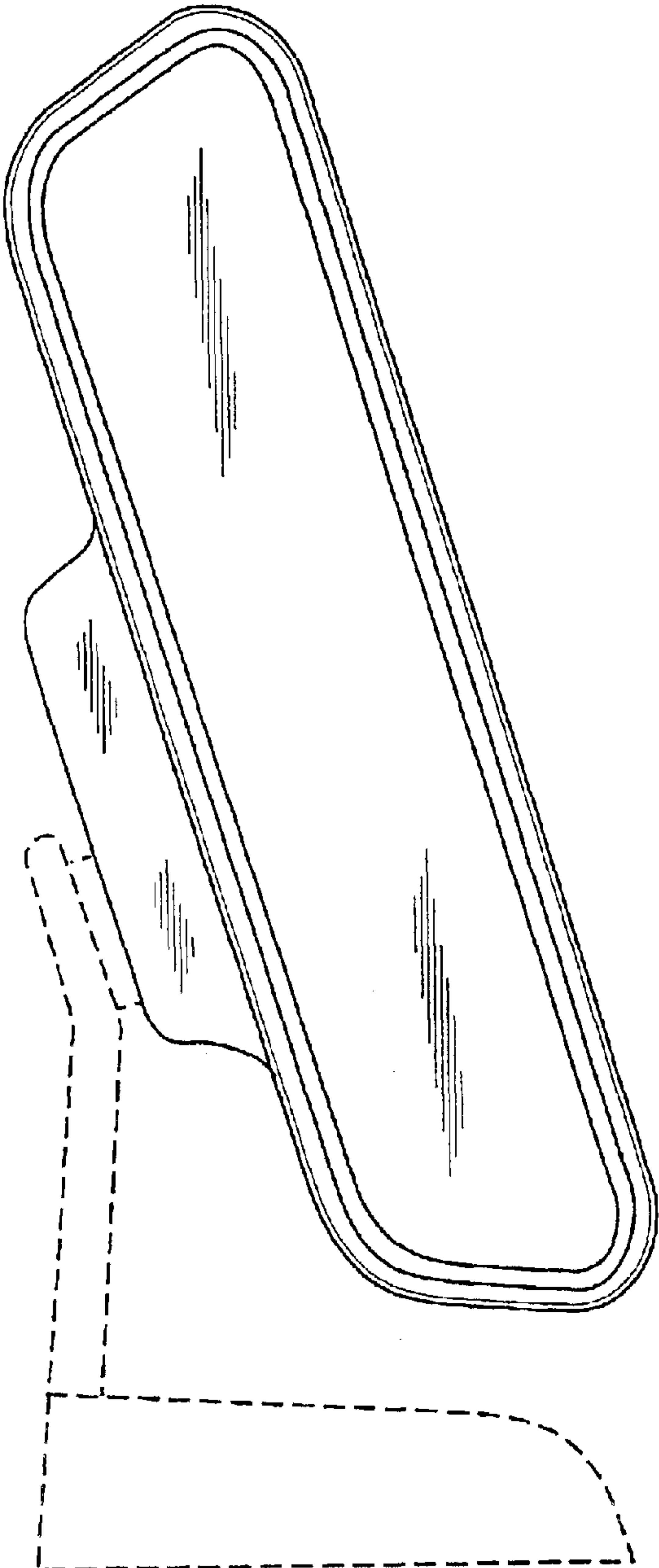


FIG. 4

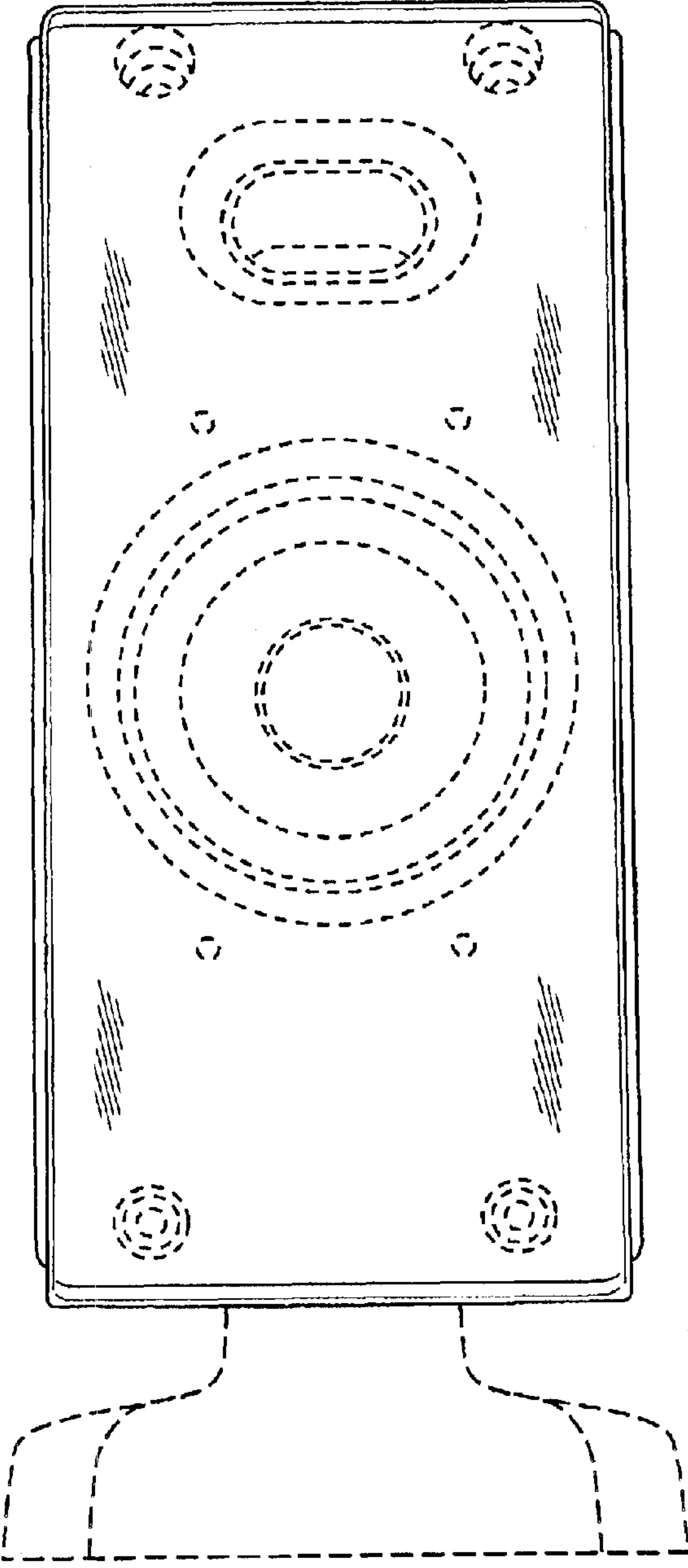


FIG. 5

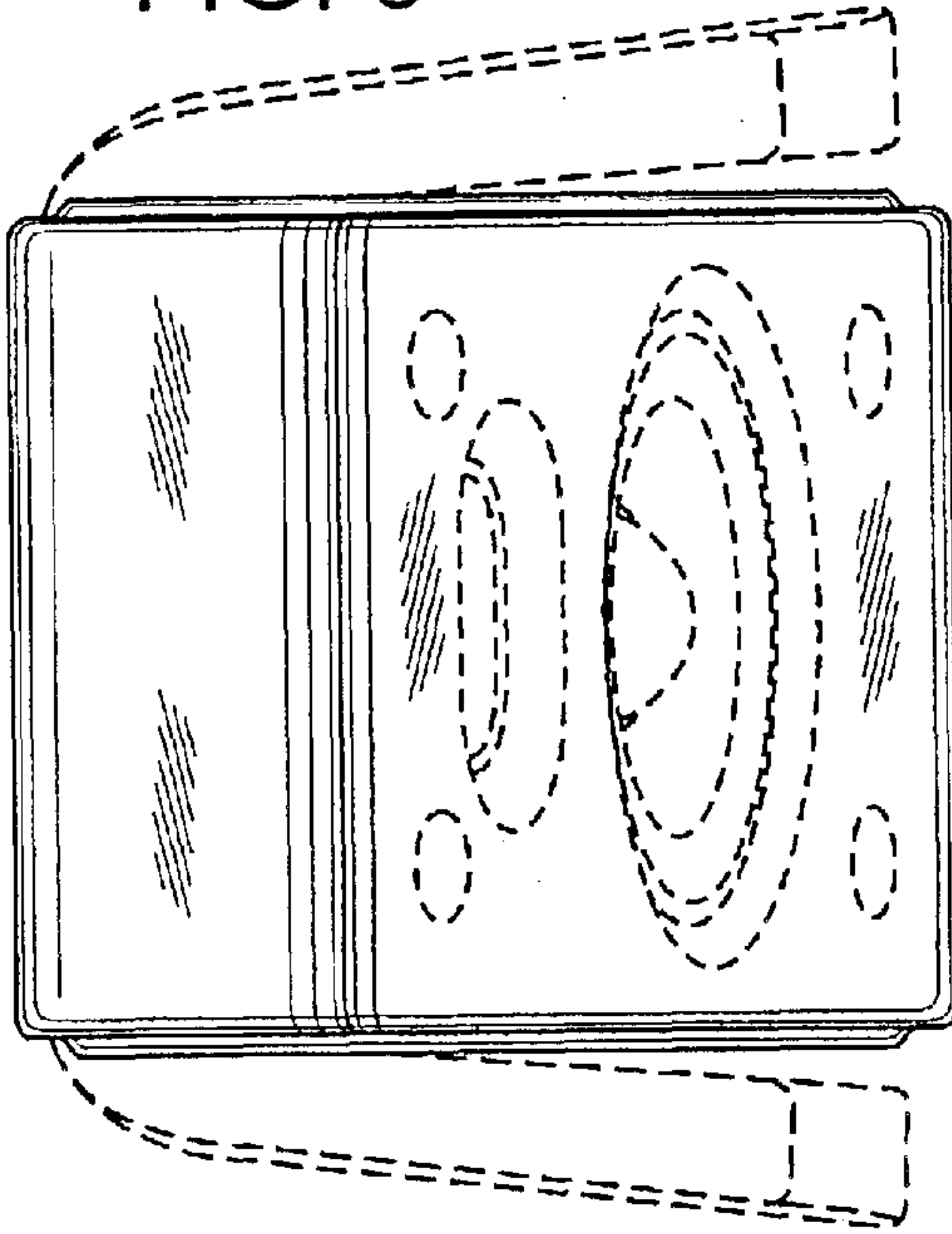


FIG. 6

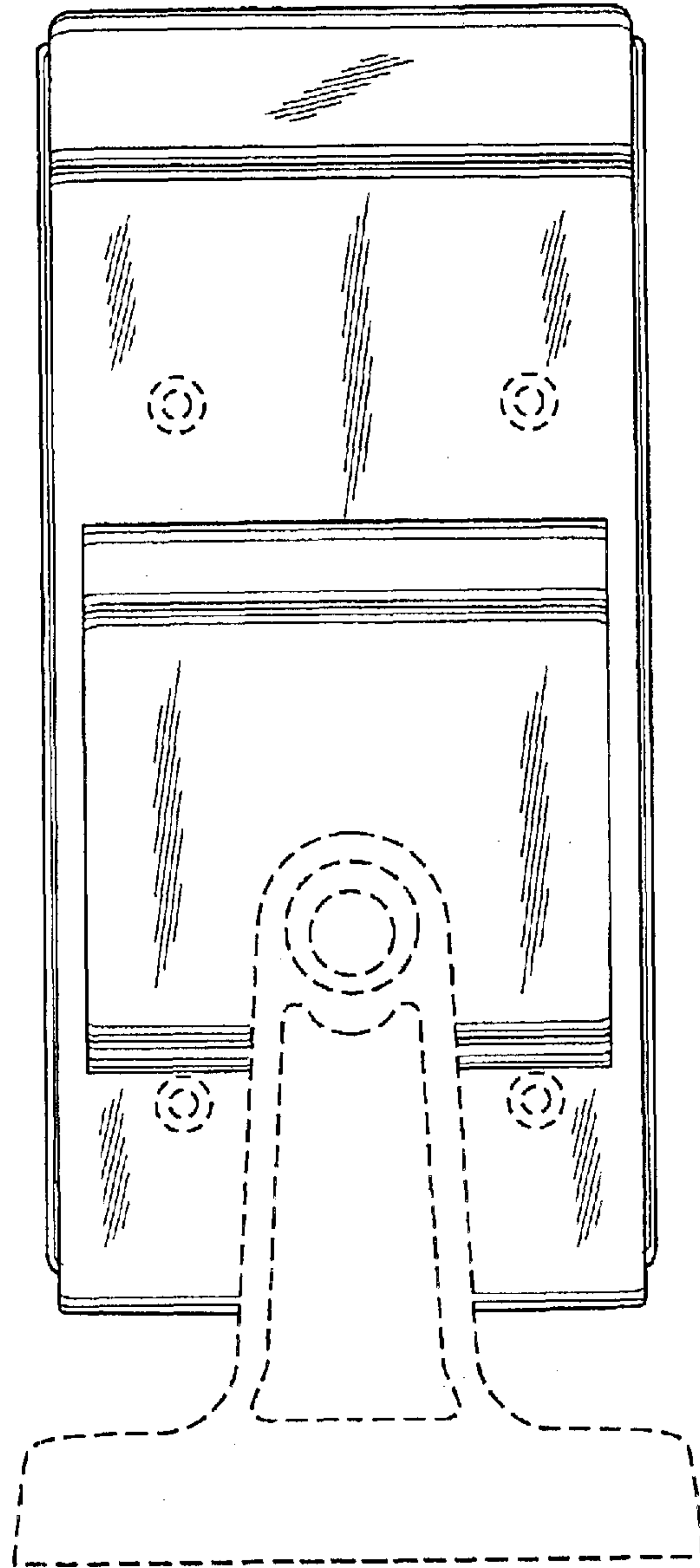


FIG. 7

