

US00D497880S1

(12) **United States Design Patent**
Apotheloz

(10) **Patent No.:** **US D497,880 S**

(45) **Date of Patent:** **** Nov. 2, 2004**

(54) **UNIVERSAL MANUAL CONTROL**

(75) **Inventor:** **Christophe Apotheloz, Zurich (CH)**

(73) **Assignee:** **Leica Microsystems (Schweiz) AG, Heerbrugg (CH)**

(**) **Term:** **14 Years**

(21) **Appl. No.:** **29/182,121**

(22) **Filed:** **May 20, 2003**

(30) **Foreign Application Priority Data**

Nov. 23, 2002 (DE) 402 09 500

(51) **LOC (7) Cl.** **13-03**

(52) **U.S. Cl.** **D13/168**

(58) **Field of Search** D13/162, 164, D13/168; D10/104, 106; D14/171, 191, 218; D21/329; 123/179.2; 341/176; 340/825, 825.22, 825.23, 825.24, 825.25, 825.31, 825.32, 825.36, 825.58, 825.69, 825.72, 425.5, 426, 539, 32; 455/151.1-151.4, 352

(56) **References Cited**

U.S. PATENT DOCUMENTS

D385,208 S * 10/1997 Chui D10/104

D392,945 S * 3/1998 Barry et al. D13/168

D422,522 S * 4/2000 Lin D10/106

6,127,920 A * 10/2000 Chen 340/425.5

6,466,154 B1 * 10/2002 Kim et al. 341/176

D482,336 S * 11/2003 Stekelenburg D13/168

* cited by examiner

Primary Examiner—Stella Reid

Assistant Examiner—Selina Sikder

(74) *Attorney, Agent, or Firm*—Simpson & Simpson, PLLC

(57) **CLAIM**

The ornamental design for a universal manual control, as shown.

DESCRIPTION

FIG. 1 is a perspective view of the universal manual control of the invention;

FIG. 2 is a front elevation view of the invention;

FIG. 3 is a left side elevation view of the invention;

FIG. 4 is a right side elevation view of the invention;

FIG. 5 is a rear elevation view of the invention taken generally along line 5—5 in FIG. 1;

FIG. 6 is a top plan view of the invention; and,

FIG. 7 is a bottom plan view of the invention.

1 Claim, 7 Drawing Sheets

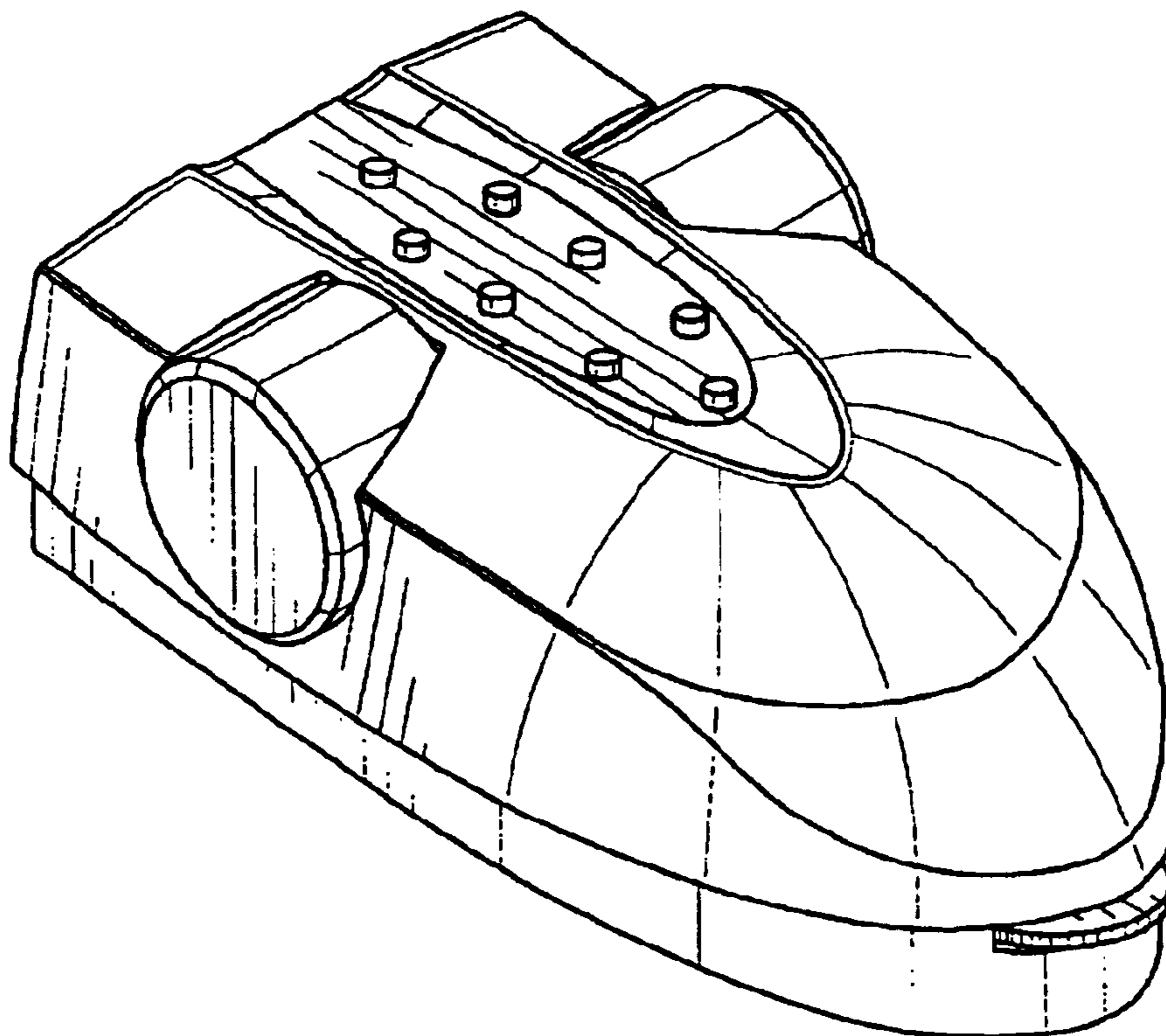


FIG. 1

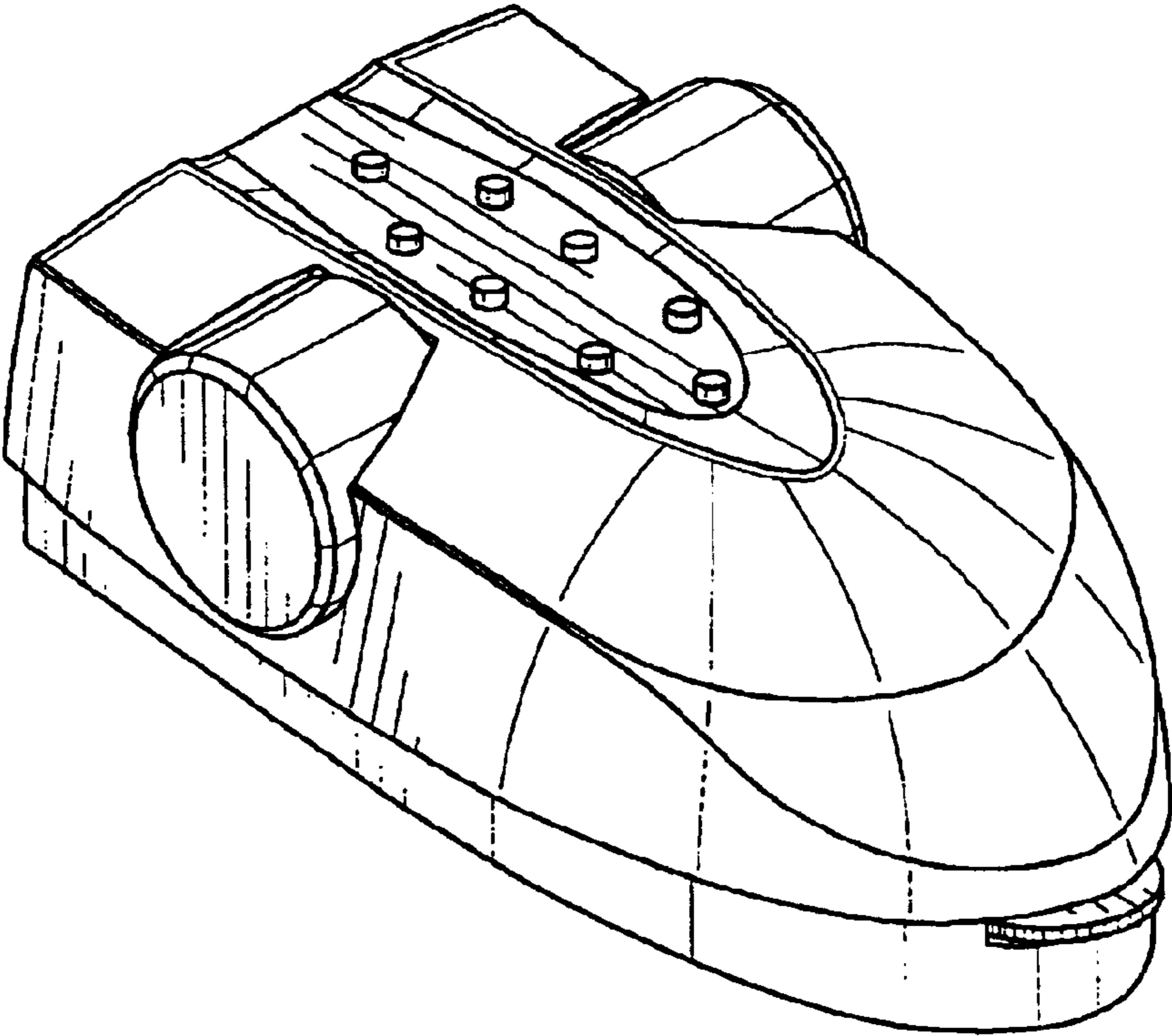


FIG.2

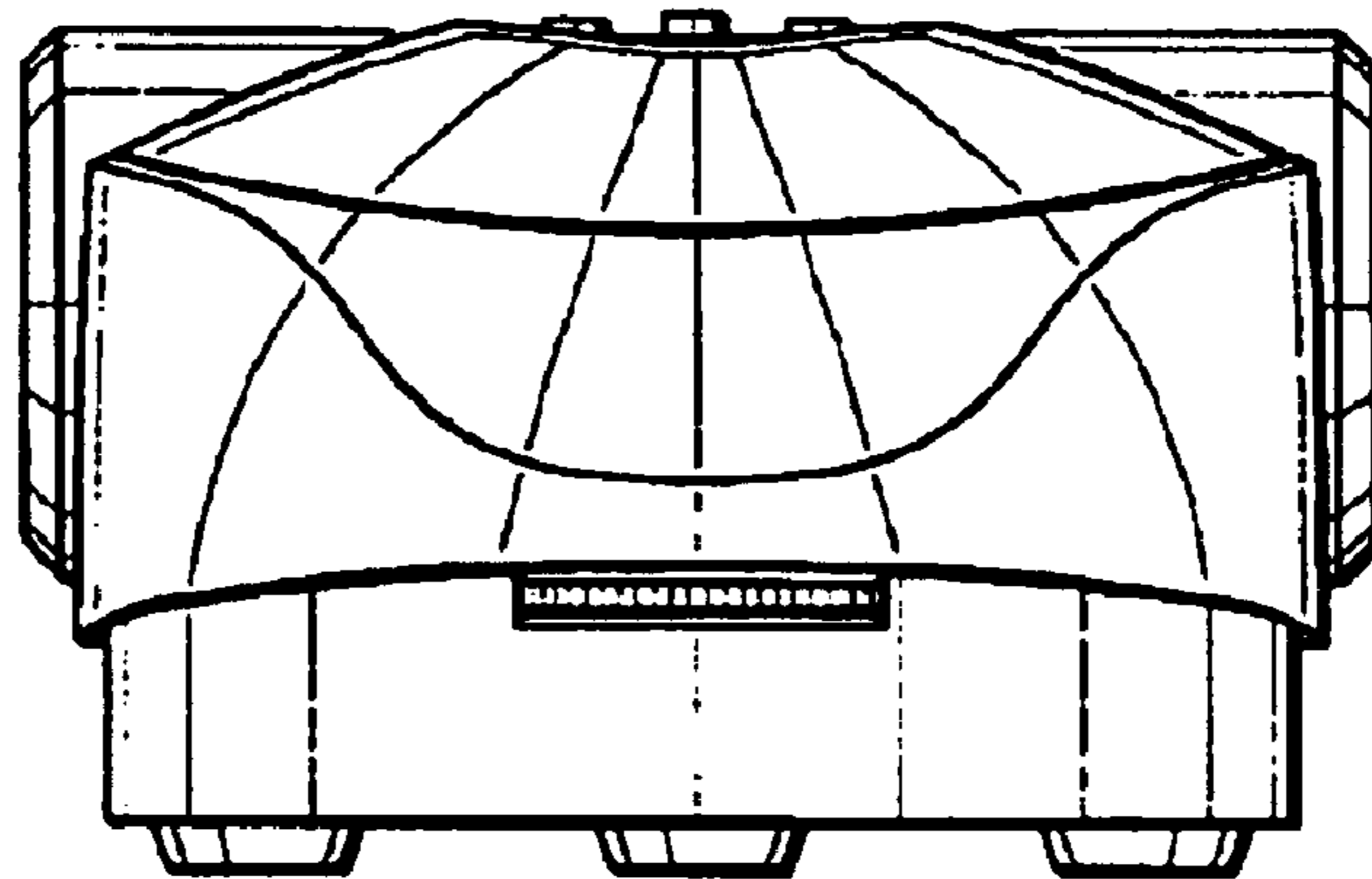


FIG. 3

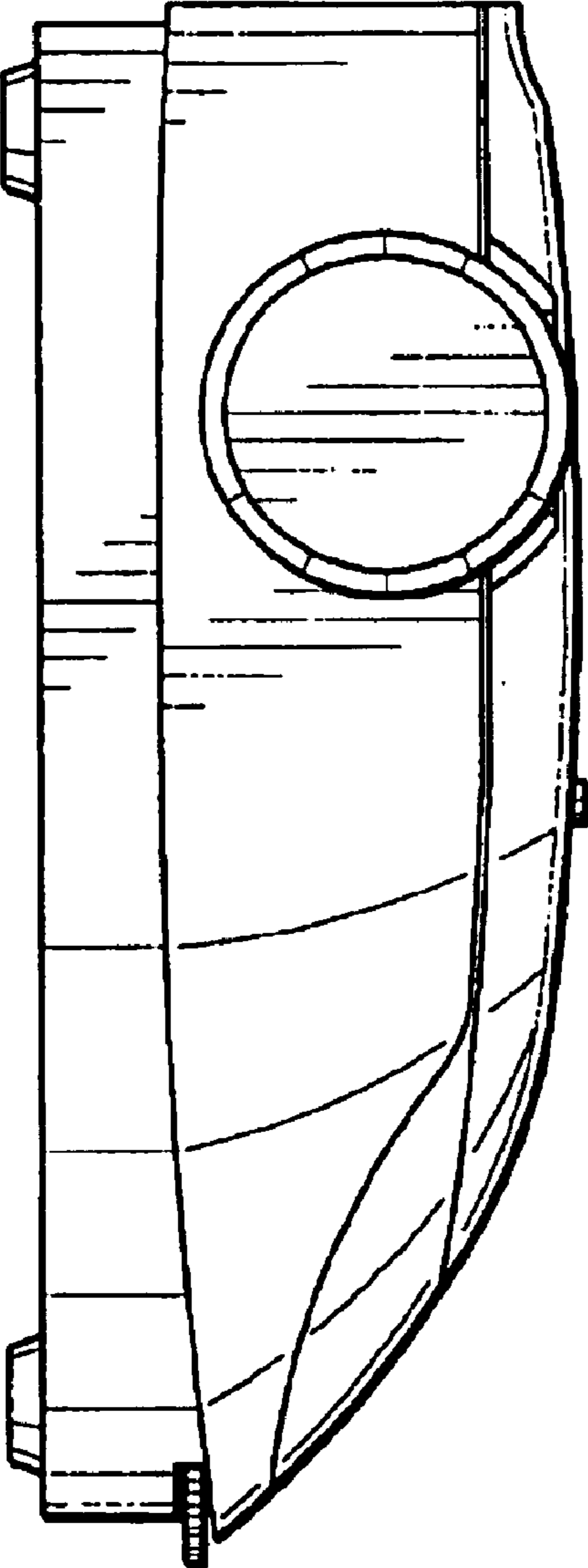


FIG.4

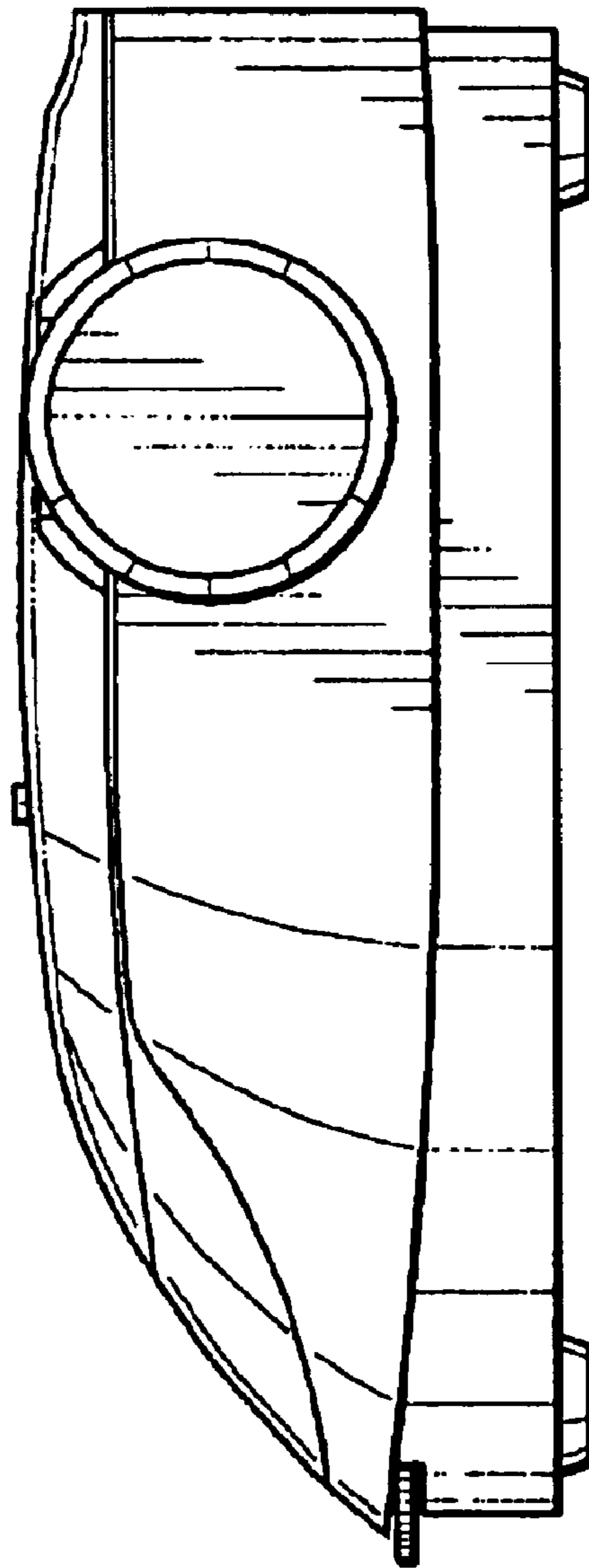


FIG. 5

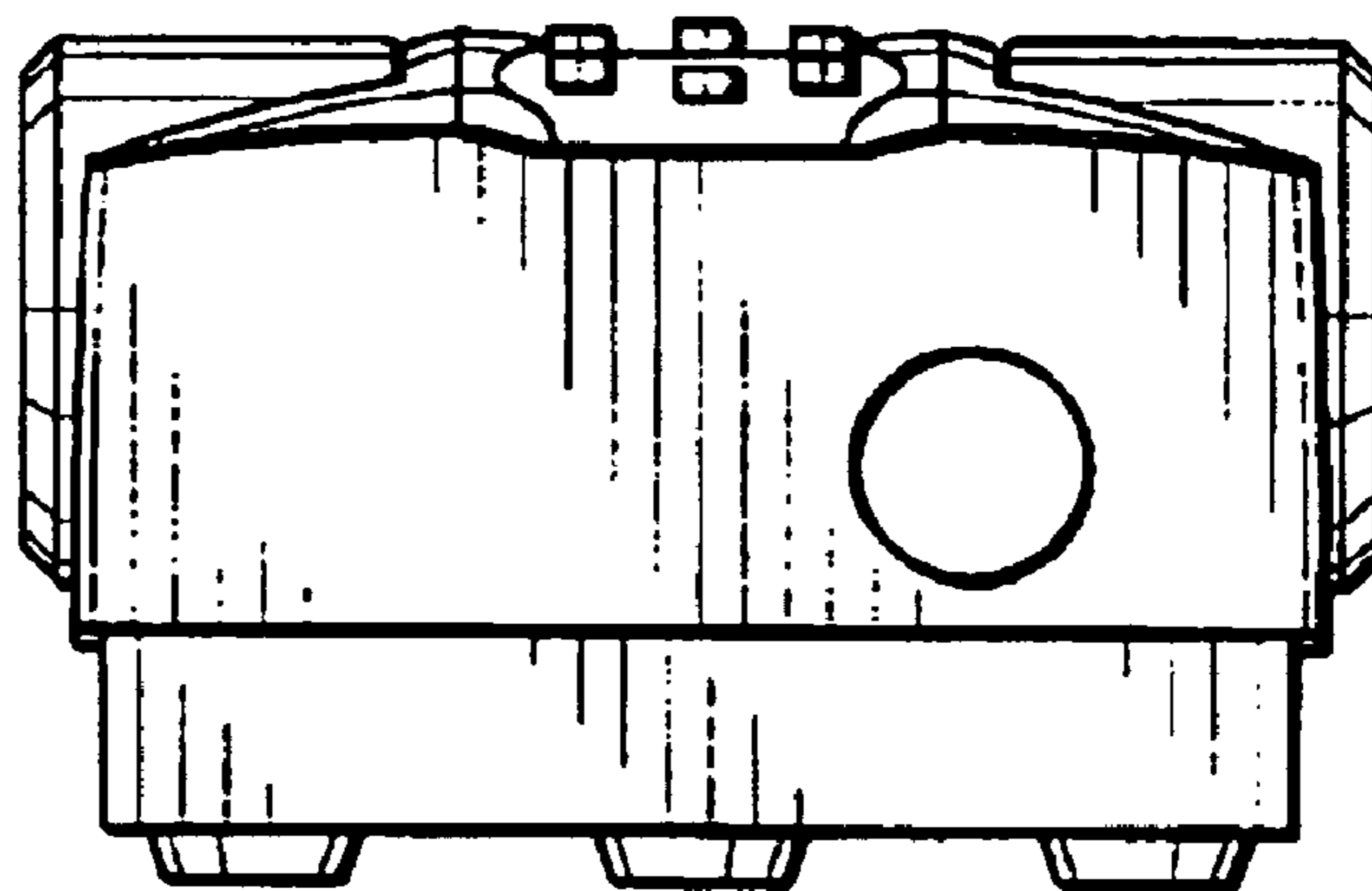


FIG. 6

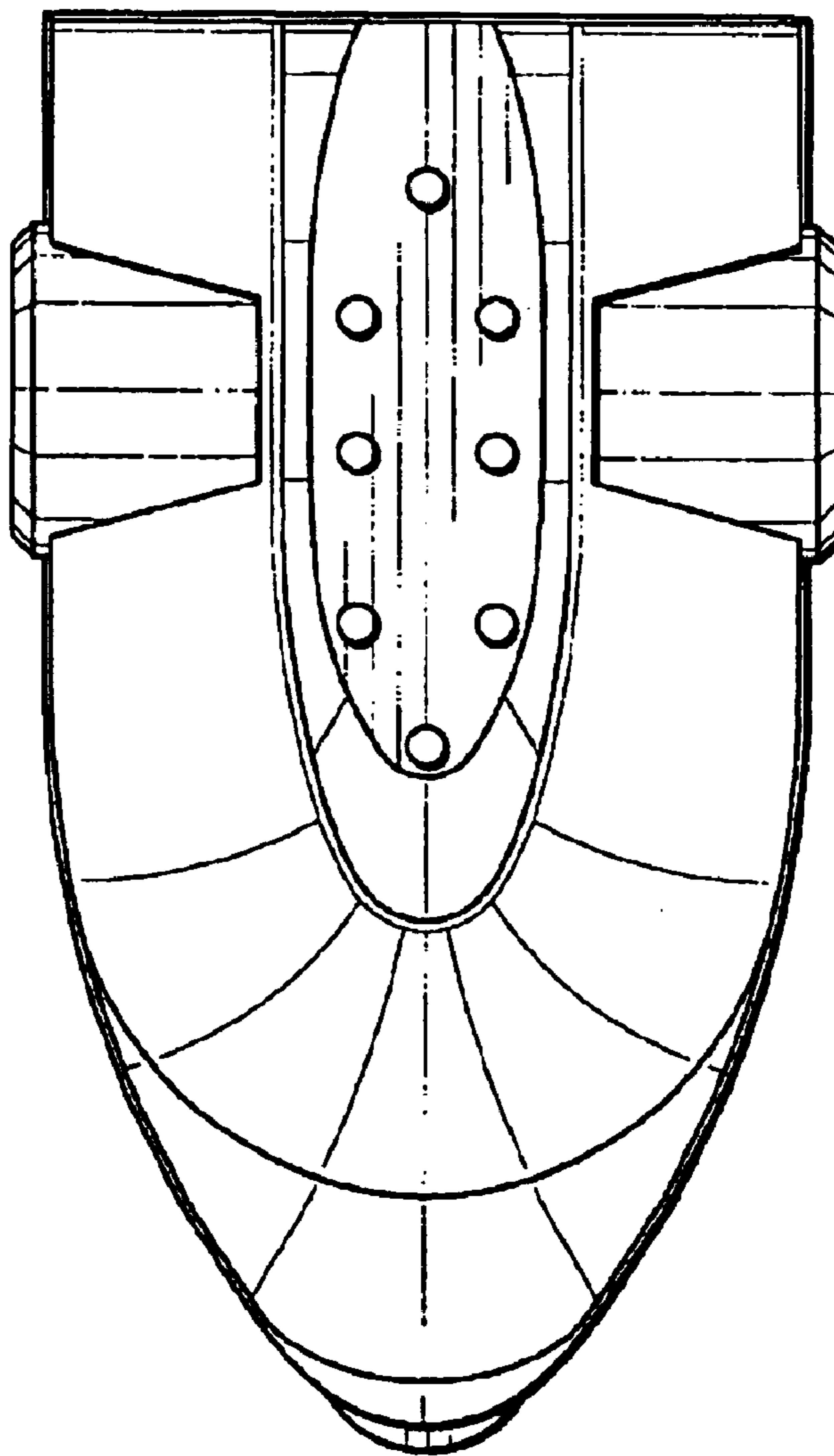


FIG. 7

