

US00D497878S1

(12) **United States Design Patent**
Koo

(10) **Patent No.:** **US D497,878 S**

(45) **Date of Patent:** **** Nov. 2, 2004**

(54) **REPEATER CIRCUIT BOX**

(76) **Inventor:** **Kyung Hee Koo**, 1339 Hewitt Ct.,
Fullerton, CA (US) 92833

(**) **Term:** **14 Years**

(21) **Appl. No.:** **29/195,354**

(22) **Filed:** **Dec. 11, 2003**

(51) **LOC (7) Cl.** **13-03**

(52) **U.S. Cl.** **D13/152**

(58) **Field of Search** D13/152, 139.4,
D13/139.5, 162, 184, 147; D14/240, 433;
361/380, 383, 390-395, 399; 362/926.2,
949

| | | | | | |
|------------|---|---------|----------------|-------|---------|
| D400,512 S | * | 11/1998 | Korhonen | | D13/184 |
| D400,513 S | * | 11/1998 | Seirio | | D13/184 |
| D402,275 S | * | 12/1998 | Korhonen | | D13/184 |
| D402,965 S | * | 12/1998 | Bender | | D13/162 |
| D429,238 S | * | 8/2000 | Kolinen | | D14/240 |
| D451,479 S | * | 12/2001 | Bateson et al. | | D13/152 |
| D471,159 S | * | 3/2003 | Albicker | | D13/152 |

* cited by examiner

Primary Examiner—Charles A. Rademaker

(74) *Attorney, Agent, or Firm*—Jerry H. Noh

(57) **CLAIM**

The ornamental design for a repeater circuit box, as shown and described.

DESCRIPTION

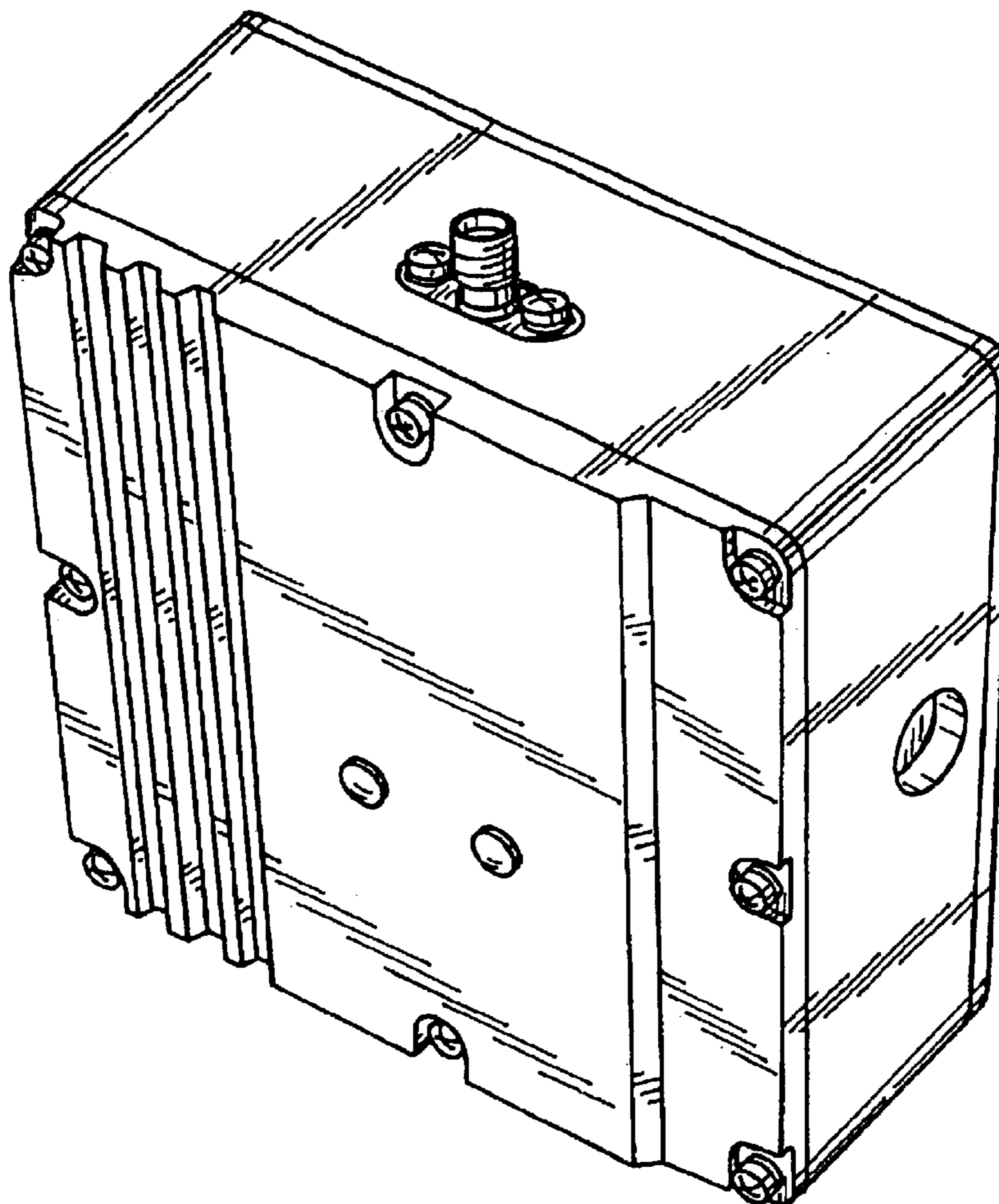
FIG. 1 is a top front perspective view of the device;
FIG. 2 is a left side elevational view thereof with the right side being a mirror image thereof;
FIG. 3 is a back view thereof; and,
FIG. 4 is a bottom view thereof.

(56) **References Cited**

U.S. PATENT DOCUMENTS

| | | | | | |
|------------|---|--------|----------------|-------|---------|
| D324,207 S | * | 2/1992 | Nieves | | D13/184 |
| D338,193 S | * | 8/1993 | Sasaki | | D14/433 |
| D349,887 S | * | 8/1994 | Page | | D13/162 |
| D362,661 S | * | 9/1995 | Buschor et al. | | D13/184 |

1 Claim, 2 Drawing Sheets



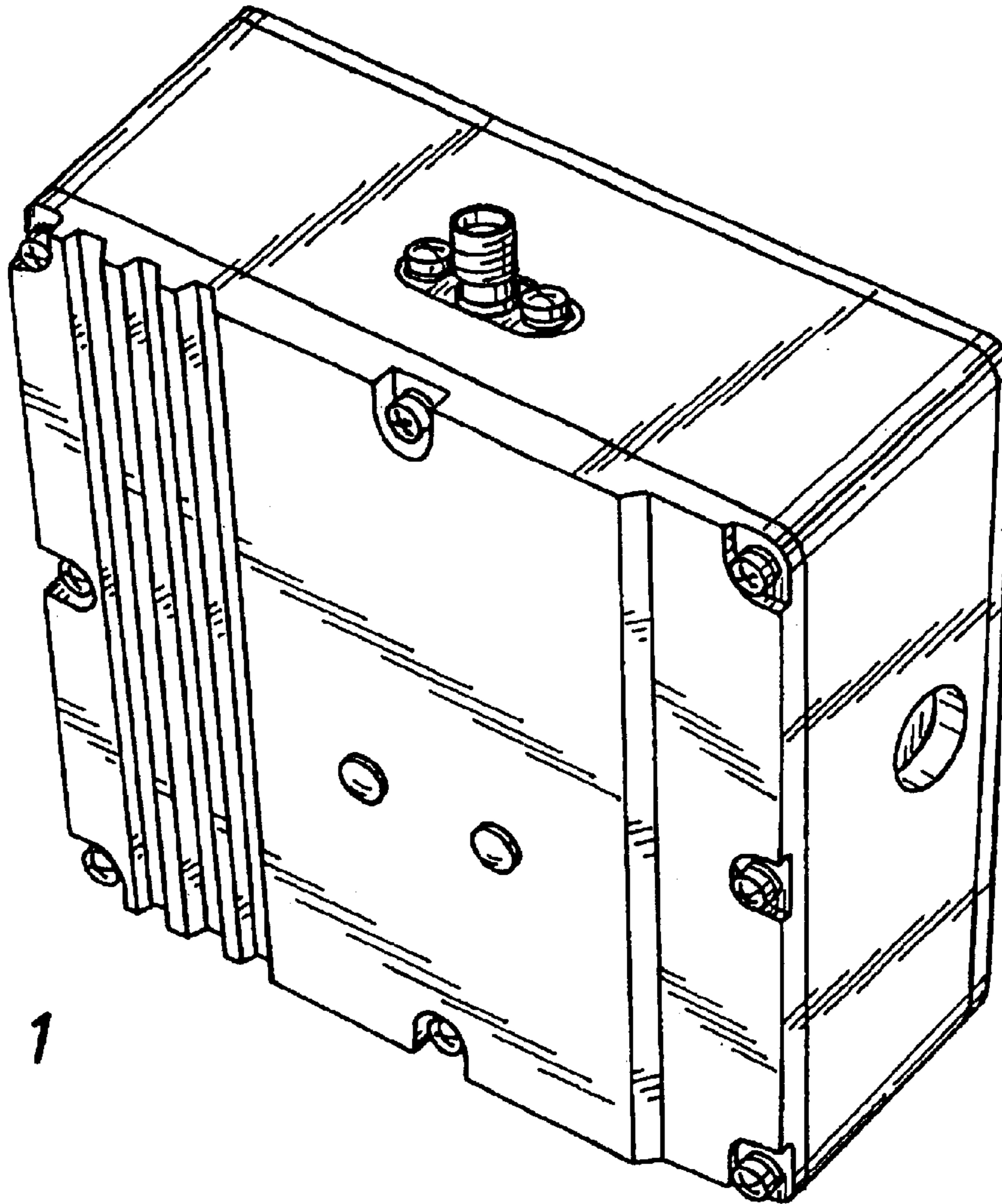


FIG. 1

FIG. 4

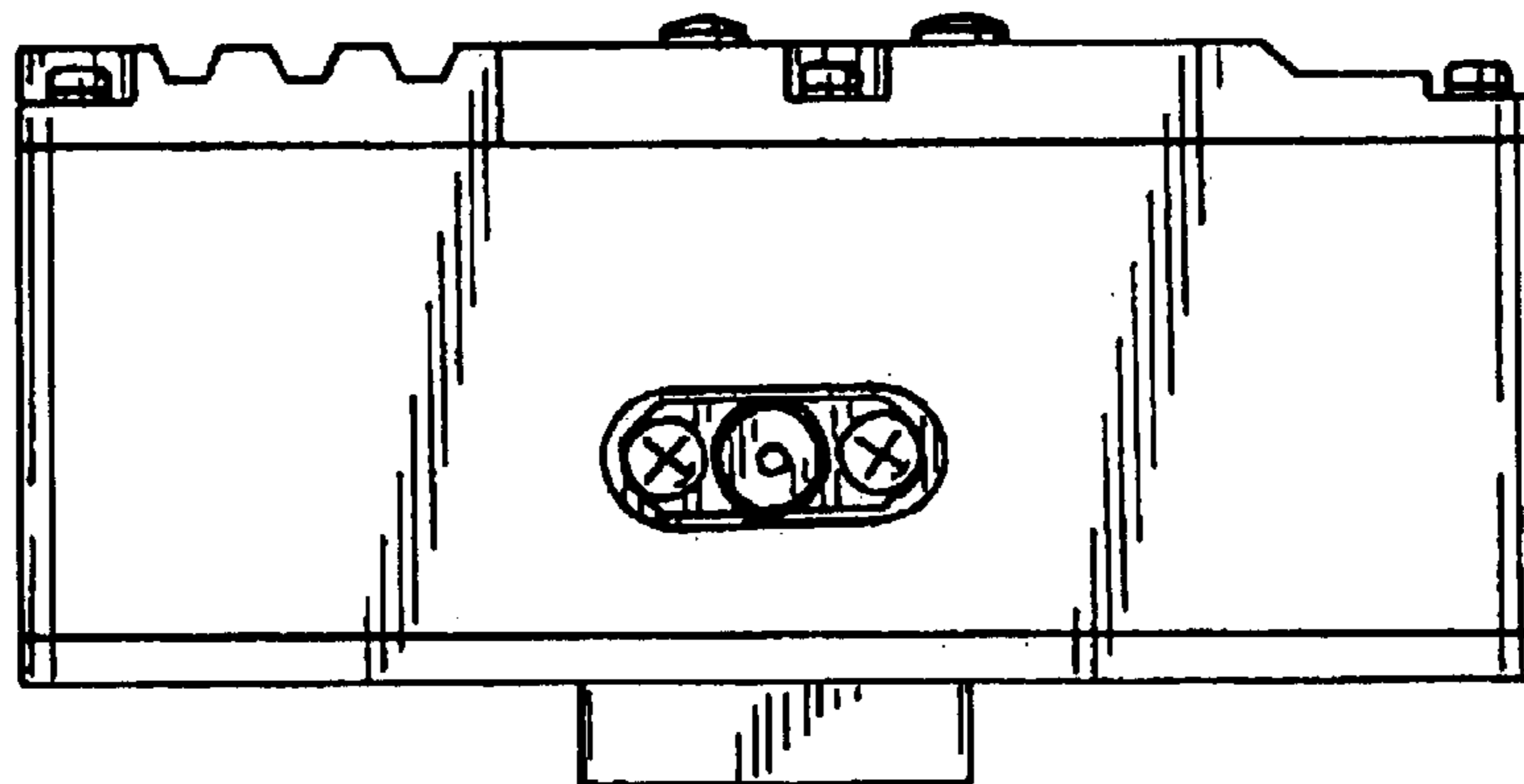


FIG. 2

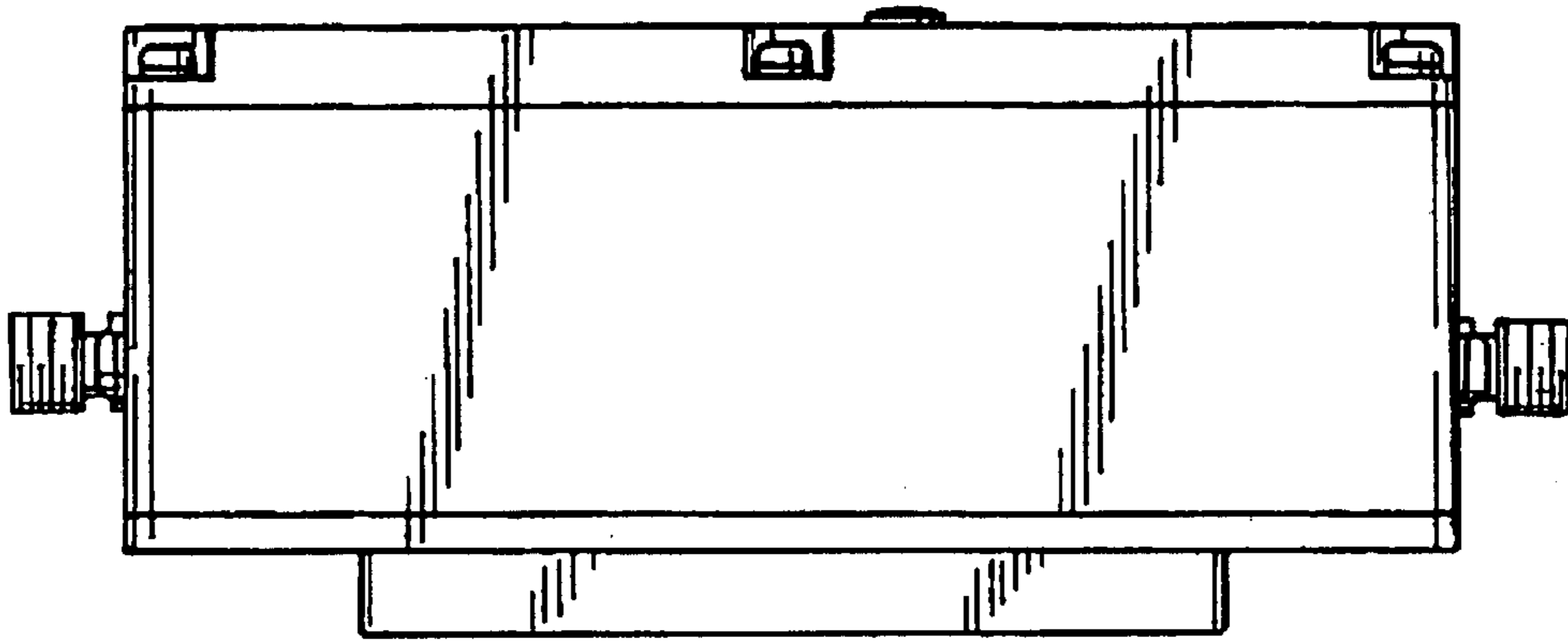


FIG. 3

