



US00D497877S1

(12) **United States Design Patent**  
**Sato**

(10) **Patent No.:** **US D497,877 S**

(45) **Date of Patent:** **\*\* Nov. 2, 2004**

(54) **JACK PLATE**

(75) **Inventor:** **Kotaku Sato, Tokyo (JP)**

(73) **Assignee:** **Jalco Co., Ltd., Tokyo (JP)**

(\*\*) **Term:** **14 Years**

(21) **Appl. No.:** **29/179,456**

(22) **Filed:** **Apr. 11, 2003**

(30) **Foreign Application Priority Data**

Jan. 29, 2003 (JP) ..... 2003-005780

(51) **LOC (7) Cl.** ..... **13-03**

(52) **U.S. Cl.** ..... **D13/133**

(58) **Field of Search** ..... D13/133, 146;  
439/544, 578, 607, 668, 669, 670, 609

(56) **References Cited**

**U.S. PATENT DOCUMENTS**

- 5,338,215 A \* 8/1994 Lee et al. .... 439/188
- 6,074,218 A \* 6/2000 Wu et al. .... 439/63
- 6,093,058 A \* 7/2000 Wu ..... 439/607
- D432,083 S \* 10/2000 Chang ..... D13/133
- 6,224,409 B1 \* 5/2001 Chang ..... 439/188

- D449,274 S \* 10/2001 Suzuki ..... D13/133
- D450,654 S \* 11/2001 Suzuki ..... D13/133
- 6,319,063 B1 \* 11/2001 Huang ..... 439/610
- D461,770 S \* 8/2002 Ma et al. .... D13/133
- D461,773 S \* 8/2002 Li et al. .... D13/133
- D467,872 S \* 12/2002 Yeh ..... D13/133

\* cited by examiner

*Primary Examiner*—Philip S. Hyder

(74) *Attorney, Agent, or Firm*—Westerman, Hattori,  
Daniels & Adrian, LLP

(57) **CLAIM**

The ornamental design for a jack plate, as shown.

**DESCRIPTION**

FIG. 1 is a front, right side perspective view of a jack plate;  
FIG. 2 is a rear, left side perspective view thereof;  
FIG. 3 is a front elevational view thereof;  
FIG. 4 is a top plan view thereof;  
FIG. 5 is a right side elevational view thereof;  
FIG. 6 is a left side elevational view thereof;  
FIG. 7 is a rear elevational view thereof; and,  
FIG. 8 is a bottom plan view thereof.

**1 Claim, 3 Drawing Sheets**

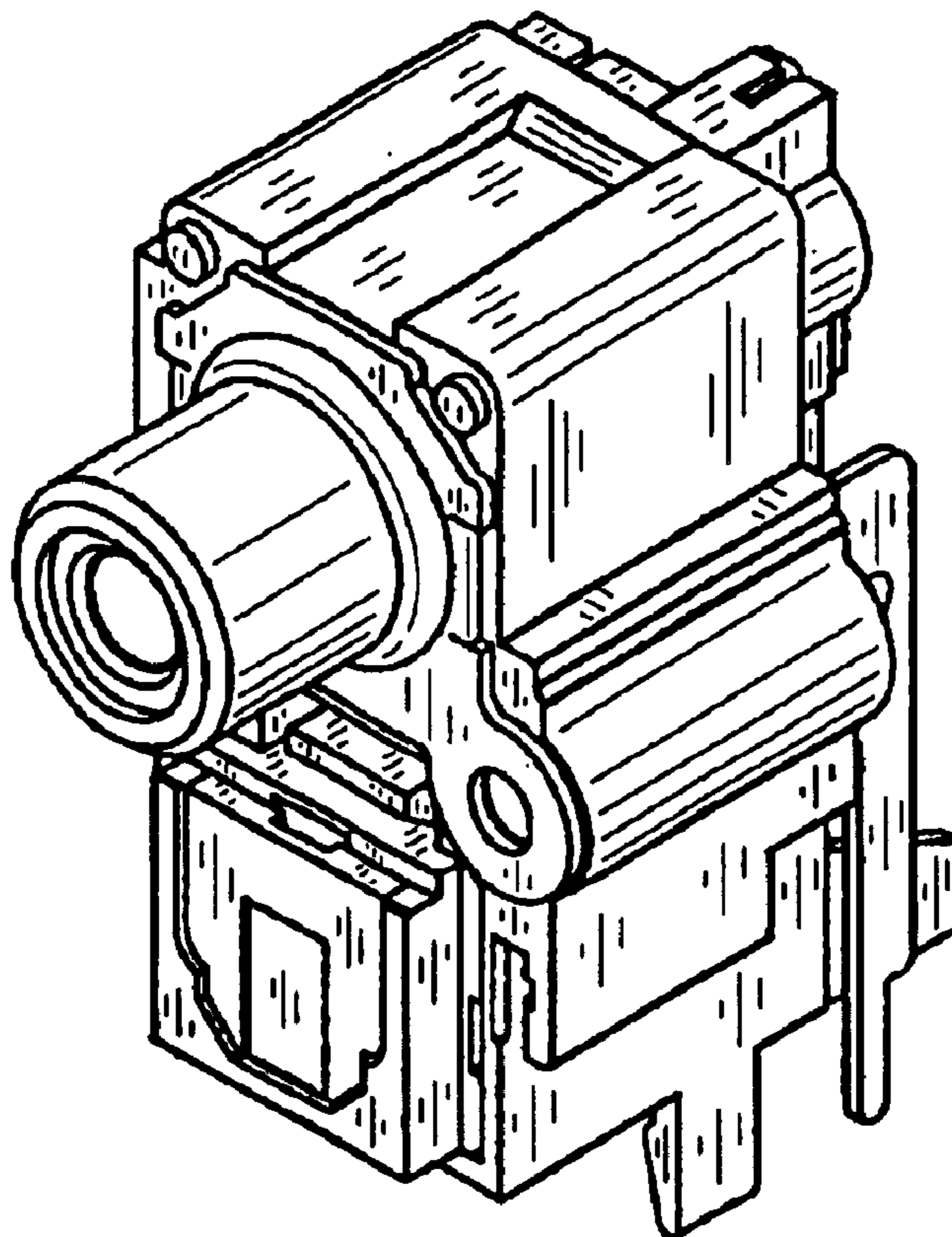


Fig.1

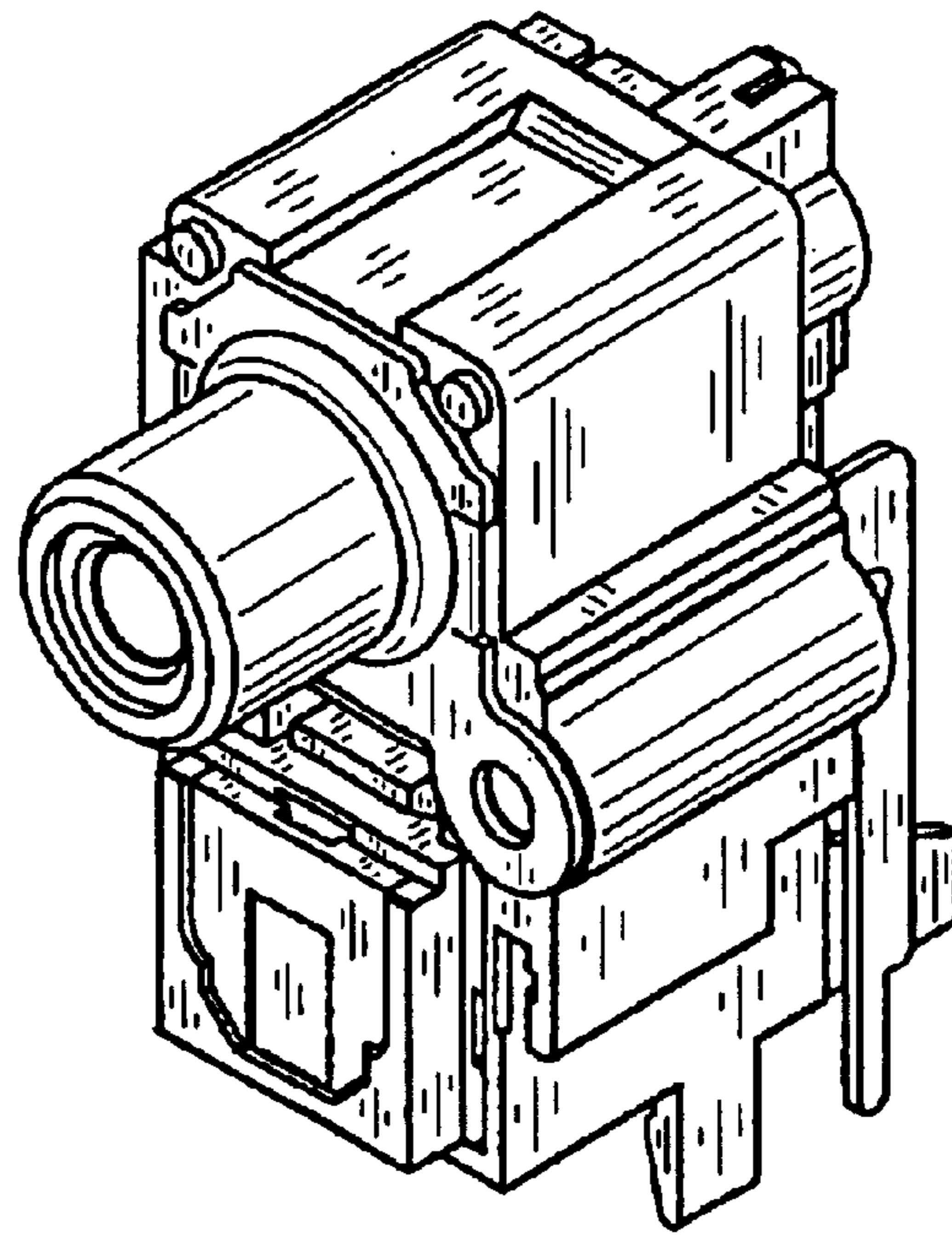


Fig.2

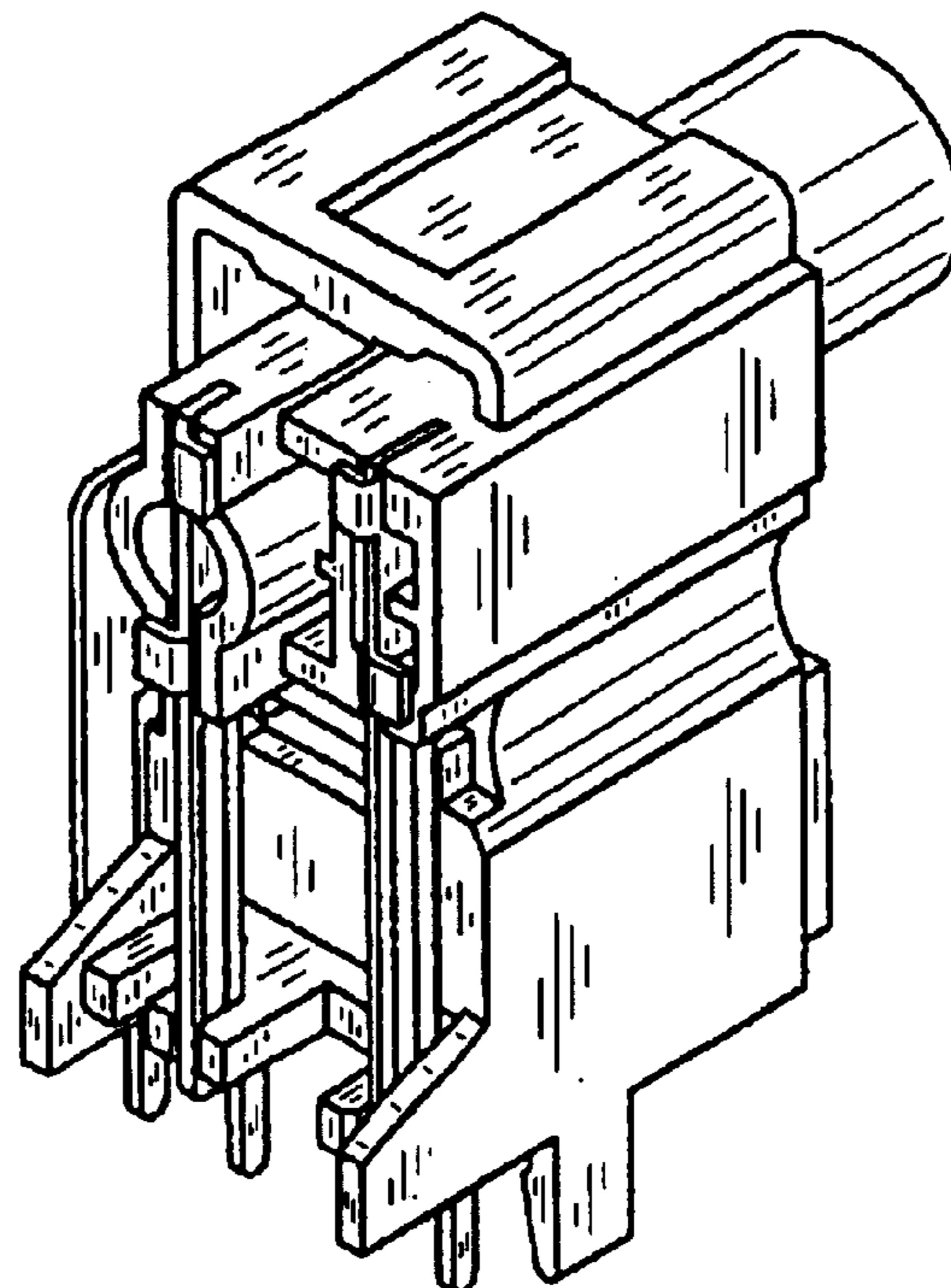


Fig.3

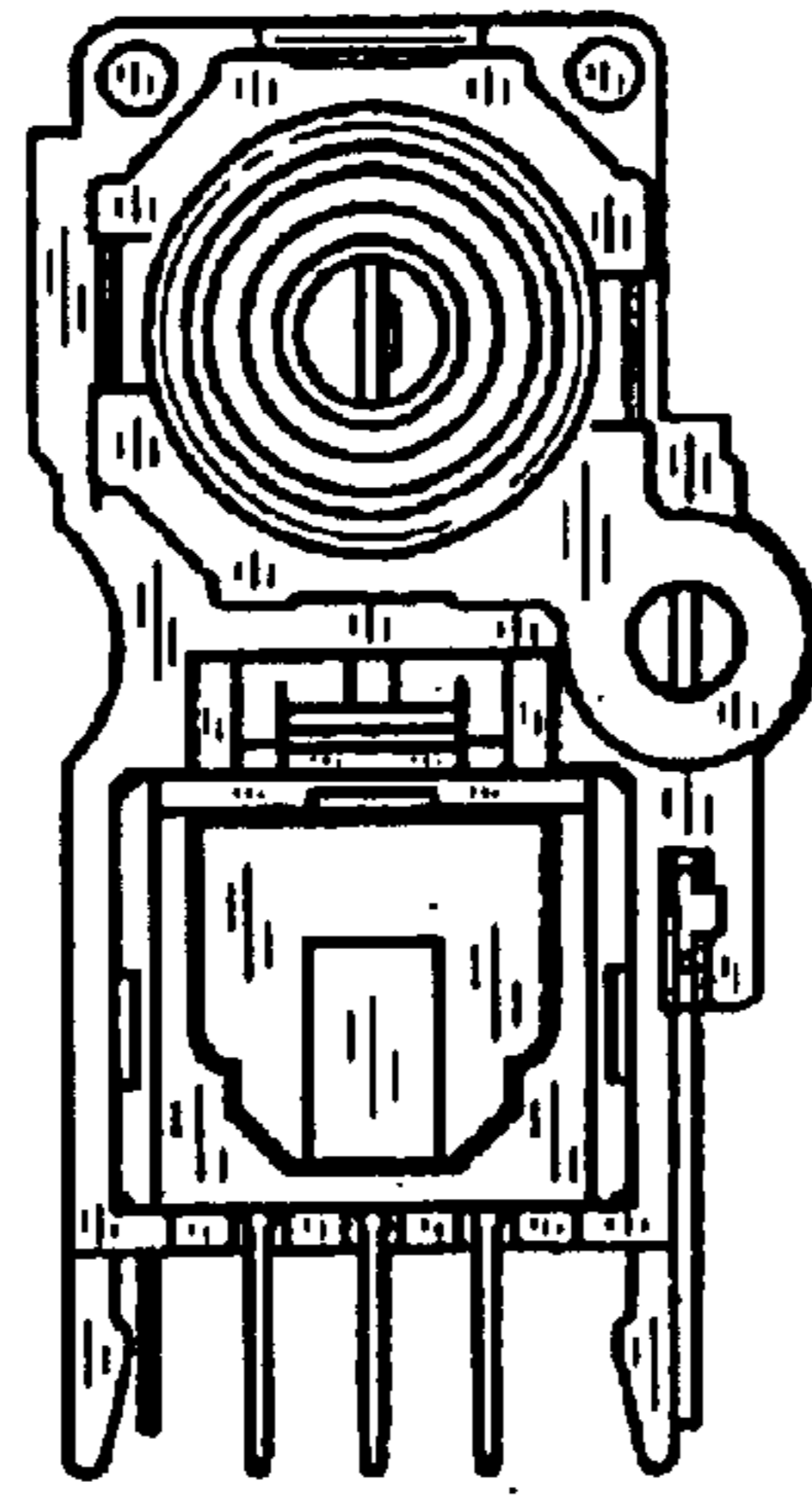


Fig.4

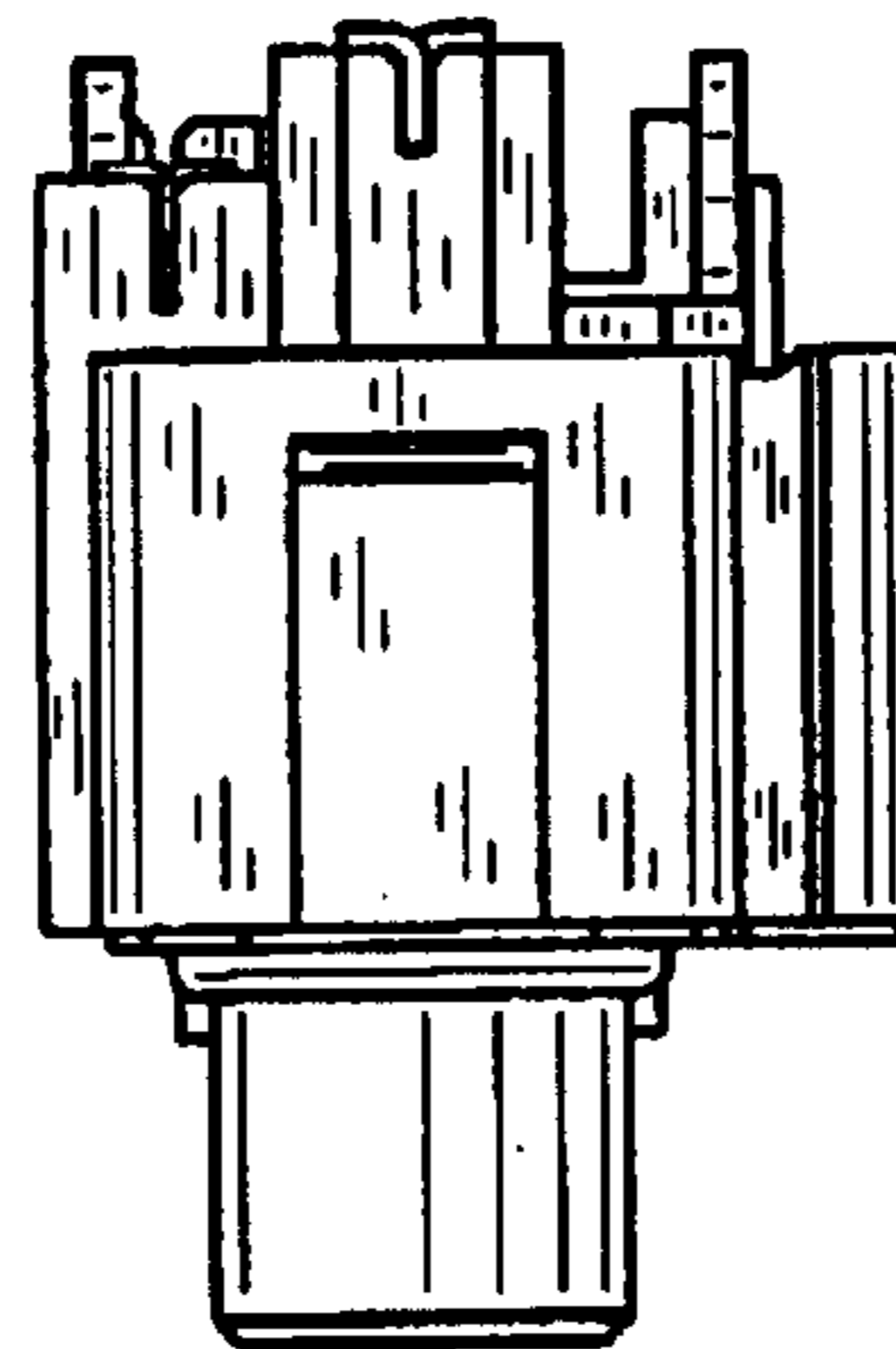


Fig.5

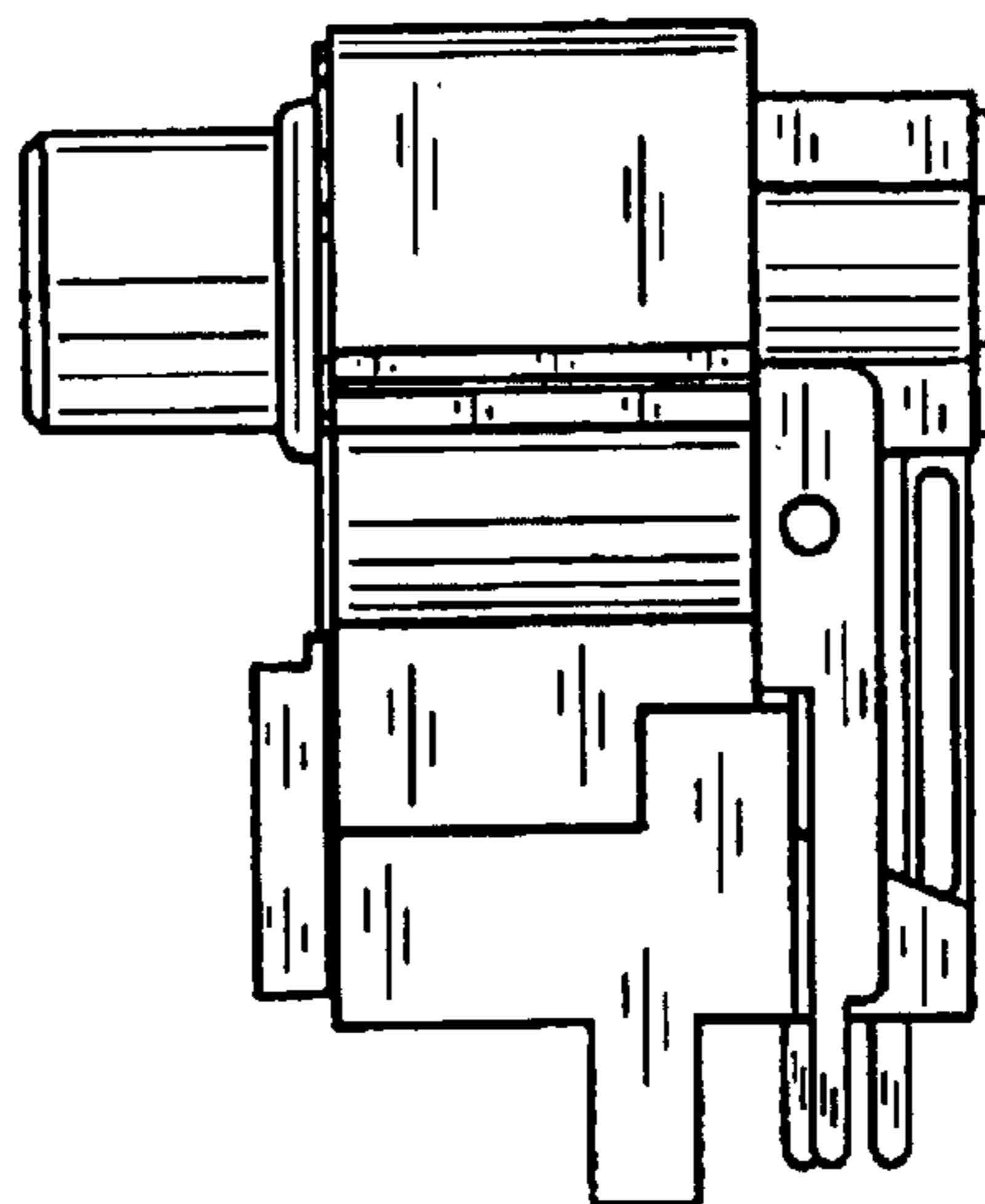


Fig.6

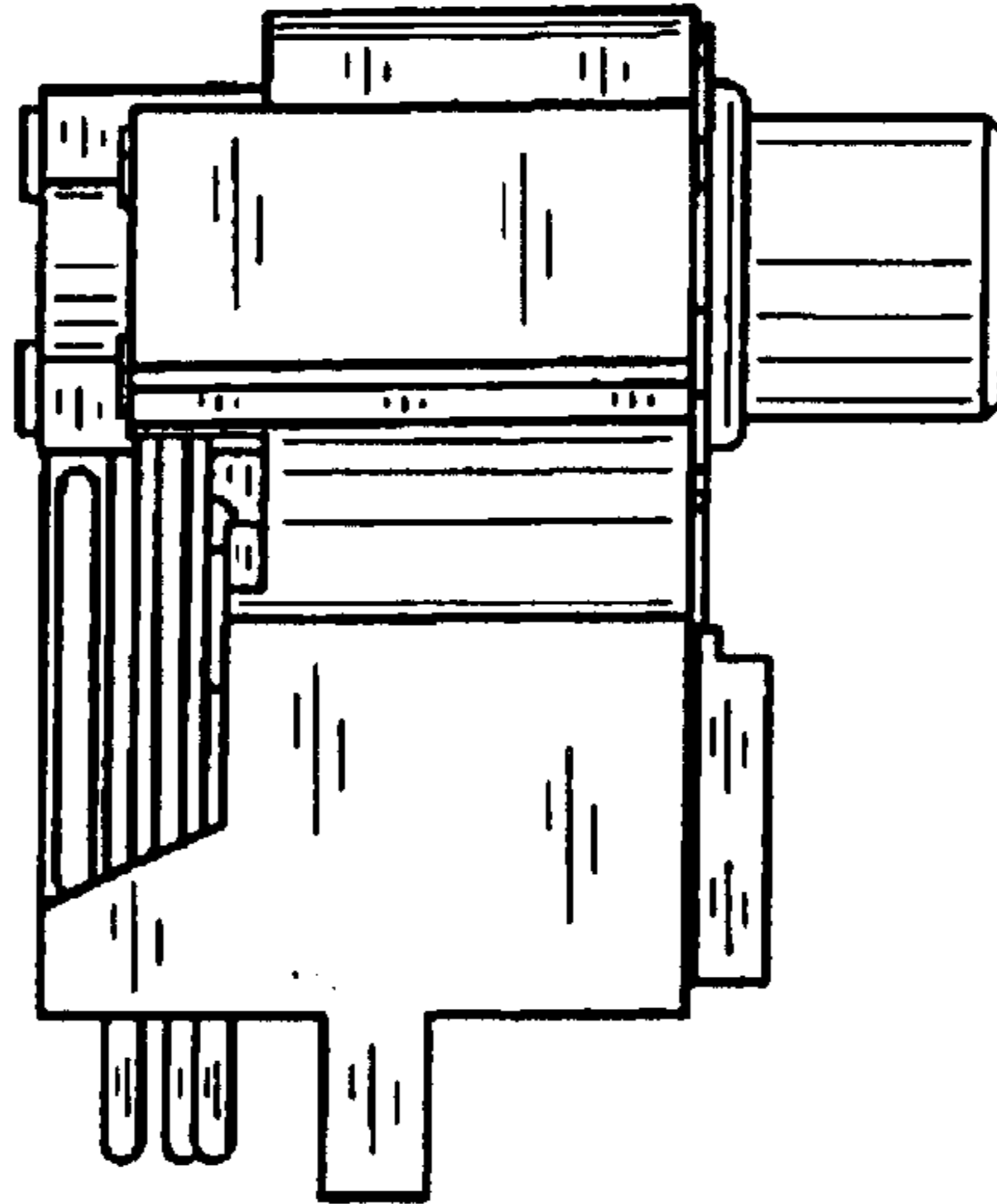


Fig.7

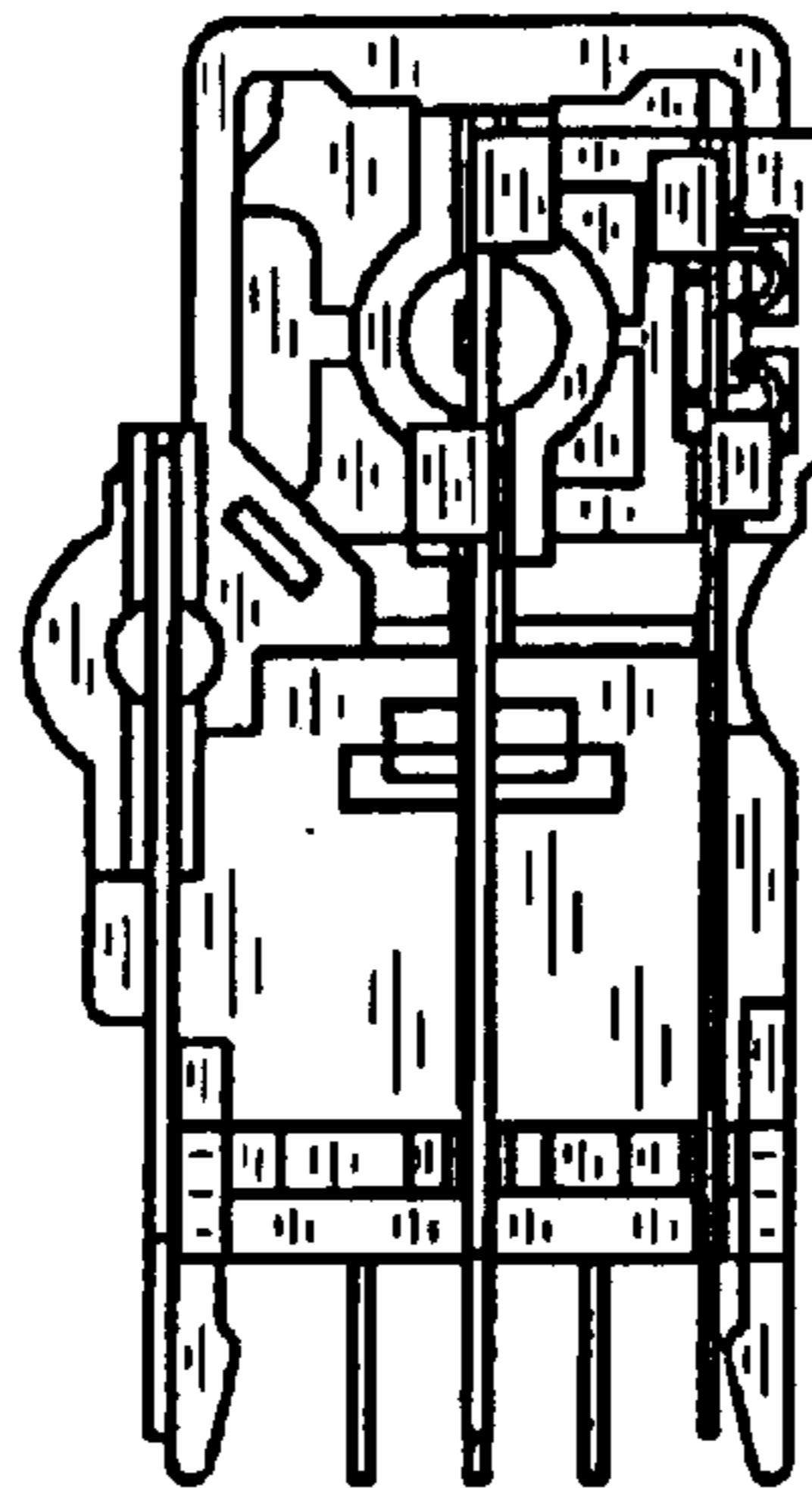


Fig.8

