

US00D497874S1

(12) **United States Design Patent**
Fialla-Dori

(10) **Patent No.:** **US D497,874 S**

(45) **Date of Patent:** **** Nov. 2, 2004**

(54) **PURSE CADDY**

(76) **Inventor:** **Eva H. Fialla-Dori**, 204 Three Islands Blvd., No. 302, Hallandale, FL (US) 33009-7301

(**) **Term:** **14 Years**

(21) **Appl. No.:** **29/175,798**

(22) **Filed:** **Feb. 12, 2003**

(51) **LOC (7) Cl.** **12-16**

(52) **U.S. Cl.** **D12/416**

(58) **Field of Search** D12/416, 423-425; D6/513, 514, 553-559; 297/188.04-188.07, 188.12, 188.2, 191; 296/37.15, 37.8, 37.1; D3/216-217; 224/400, 275-277, 539, 587

(56) **References Cited**

U.S. PATENT DOCUMENTS

| | | | |
|-------------|-----------|----------------|---------|
| 326,750 A | 9/1885 | King | |
| 486,875 A | 11/1892 | Jeschke | |
| 682,493 A | 9/1901 | Pendleton | |
| 745,251 A | 11/1903 | Sleght | |
| 2,167,363 A | 7/1939 | Hoenigsberger | |
| D247,327 S | * 2/1978 | Tracy | D12/416 |
| D312,727 S | * 12/1990 | Kunewalder | D12/416 |
| D344,180 S | * 2/1994 | Garcia | D12/416 |
| 5,354,119 A | 10/1994 | Nicholas | |
| D379,452 S | * 5/1997 | Russell et al. | D12/416 |
| 5,695,233 A | 12/1997 | Feldman | |
| D415,730 S | * 10/1999 | Jacobsmeier | D12/416 |

| | | | |
|--------------|-----------|----------------|---------|
| D419,520 S | * 1/2000 | Bergh | D12/416 |
| D430,534 S | * 9/2000 | Golenz | D12/416 |
| D432,075 S | * 10/2000 | Hassett et al. | D12/416 |
| 6,174,082 B1 | * 1/2001 | Pelky et al. | D12/416 |
| D441,341 S | * 5/2001 | Hassett et al. | D12/416 |
| D451,882 S | * 12/2001 | Hassett et al. | D12/416 |
| D473,510 S | * 4/2003 | Denmeade | D12/416 |
| D479,186 S | * 9/2003 | Hassett | D12/416 |

* cited by examiner

Primary Examiner—Stacia Cadmus

(74) *Attorney, Agent, or Firm*—Stephen R. Greiner

(57) **CLAIM**

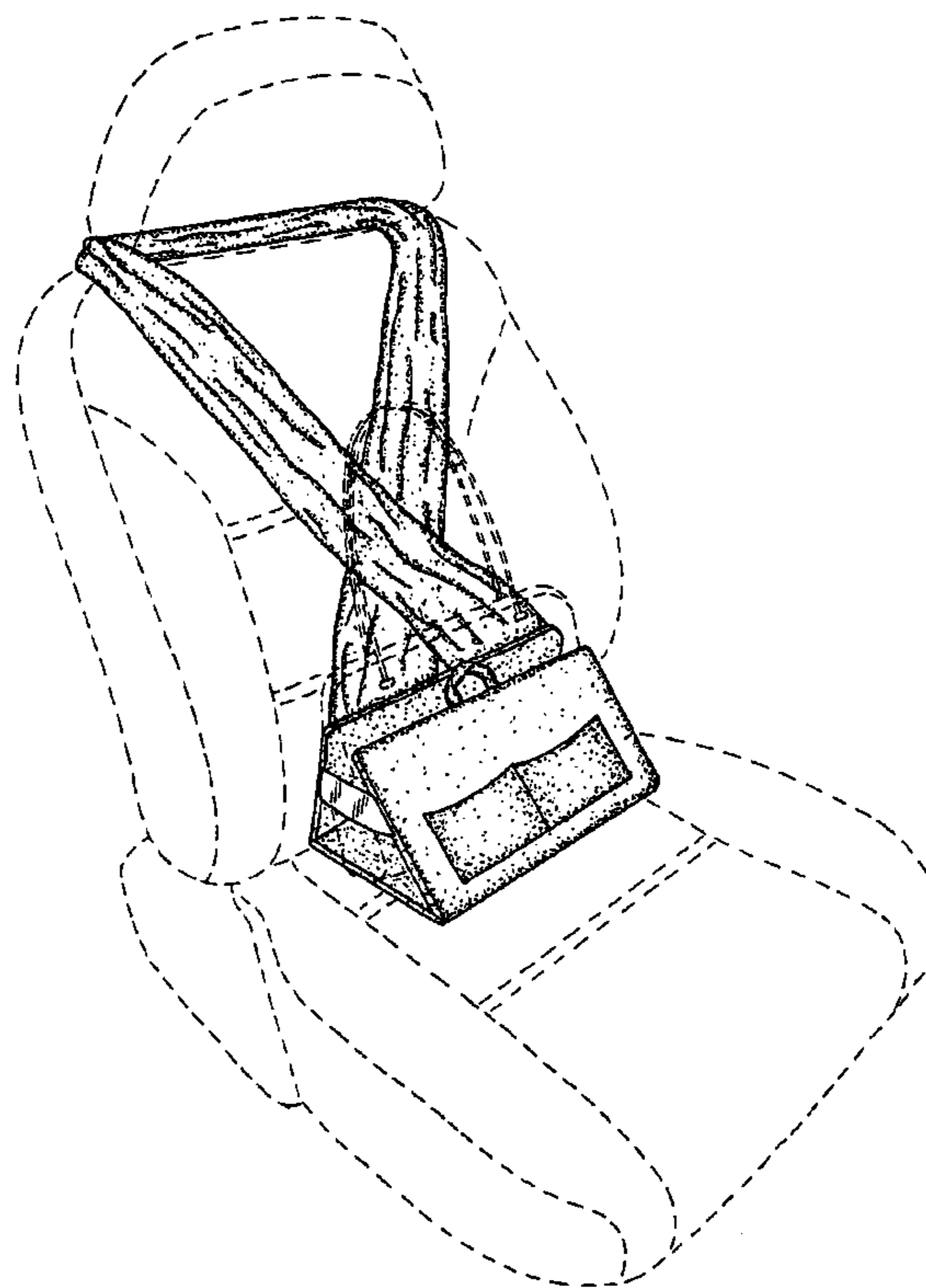
The ornamental design for a purse caddy, as shown and described.

DESCRIPTION

FIG. 1 is an environmental perspective view of a purse caddy showing my new design;
 FIG. 2 is a top view thereof;
 FIG. 3 is a bottom view thereof;
 FIG. 4 is a front elevational view thereof;
 FIG. 5 is a left side elevational view with the right side being a mirror image thereof;
 FIG. 6 is a rear elevational view thereof; and,
 FIG. 7 is a perspective view thereof.

The broken line showing of a vehicle seat and purse FIG. 1 is for demonstrative purposes only and forms no part of the claimed design.

1 Claim, 3 Drawing Sheets



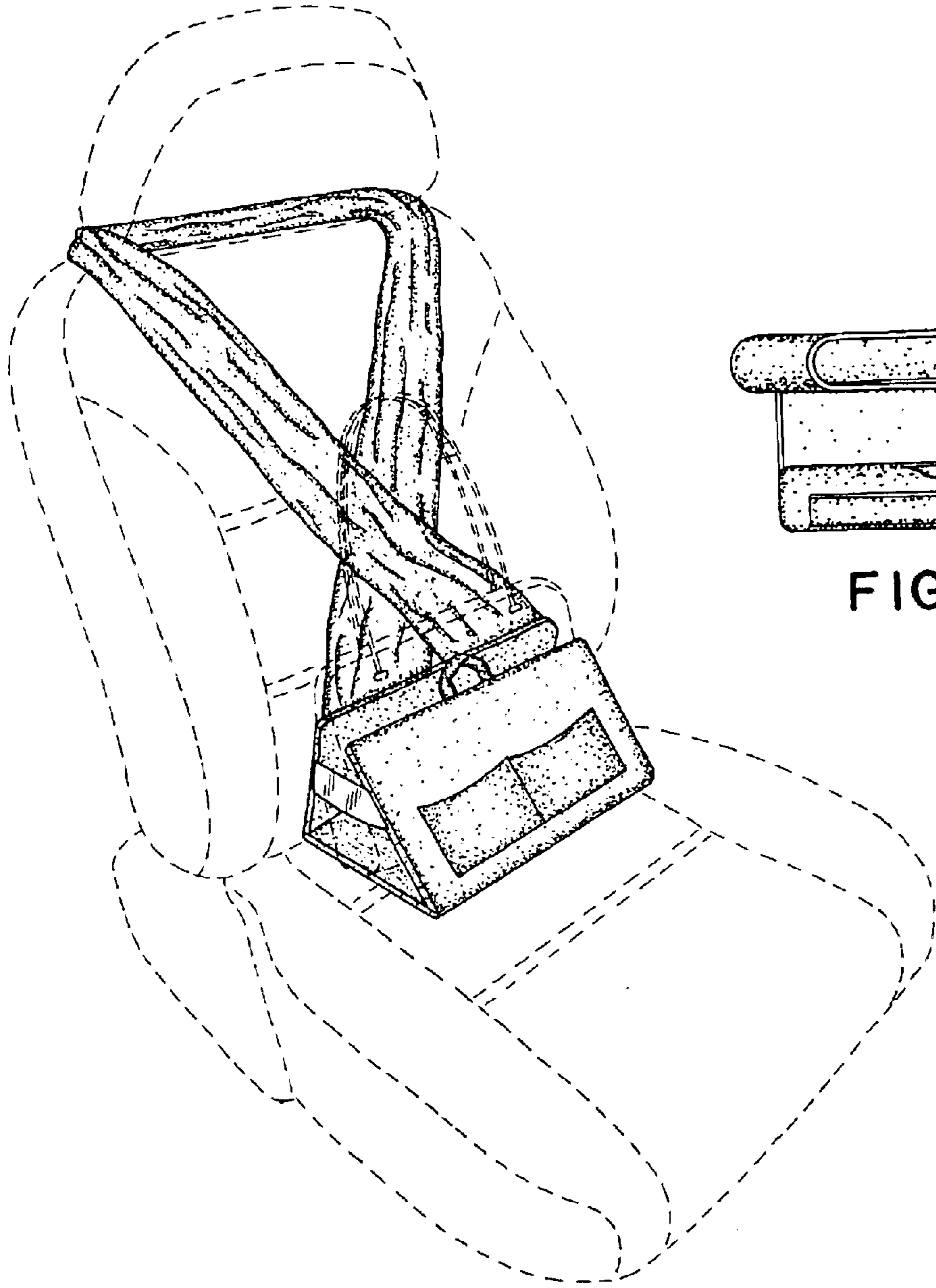


FIG. 1

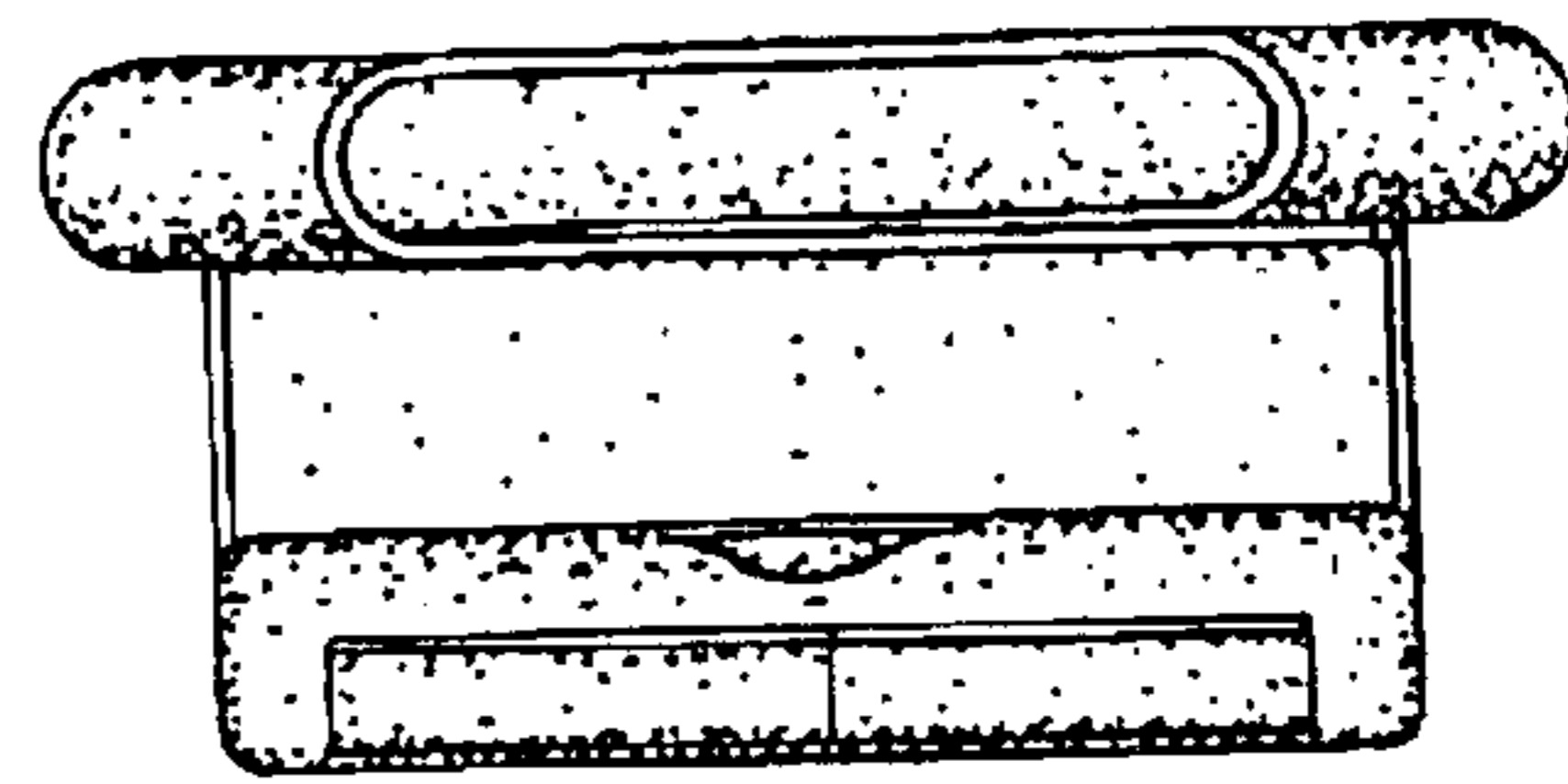


FIG. 2



FIG. 3

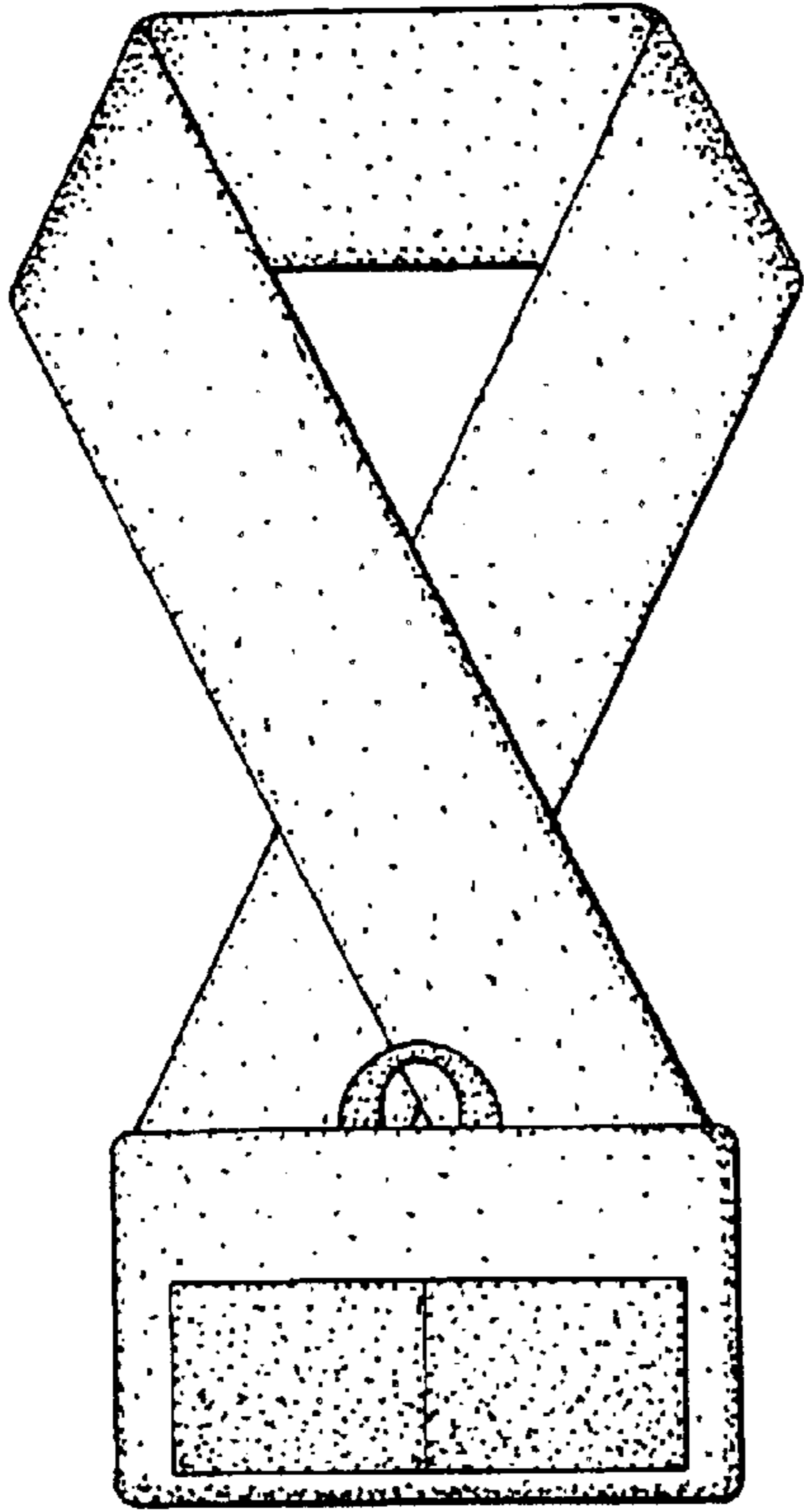


FIG. 4

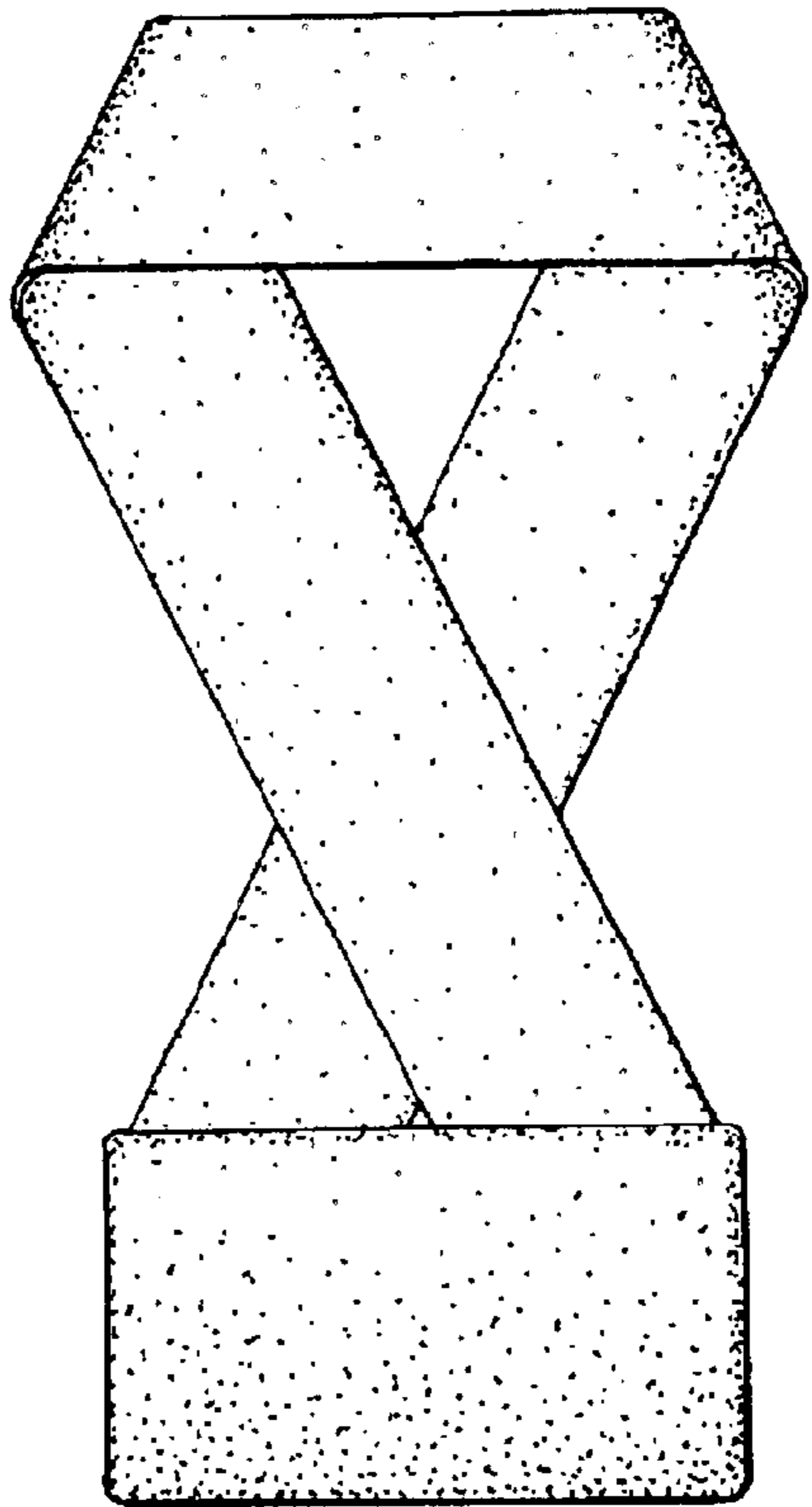
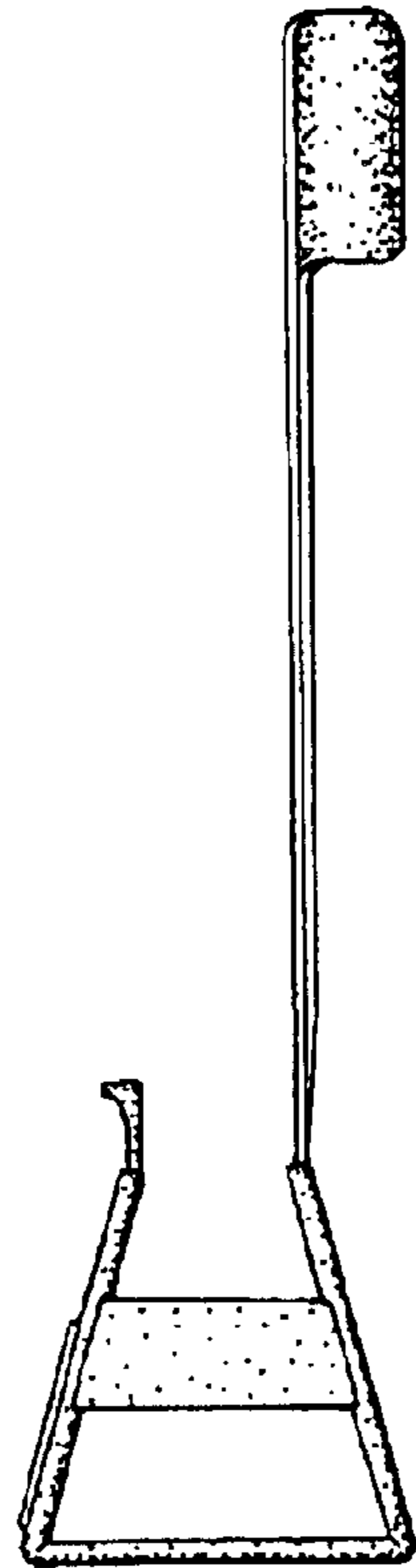


FIG. 6

FIG. 5



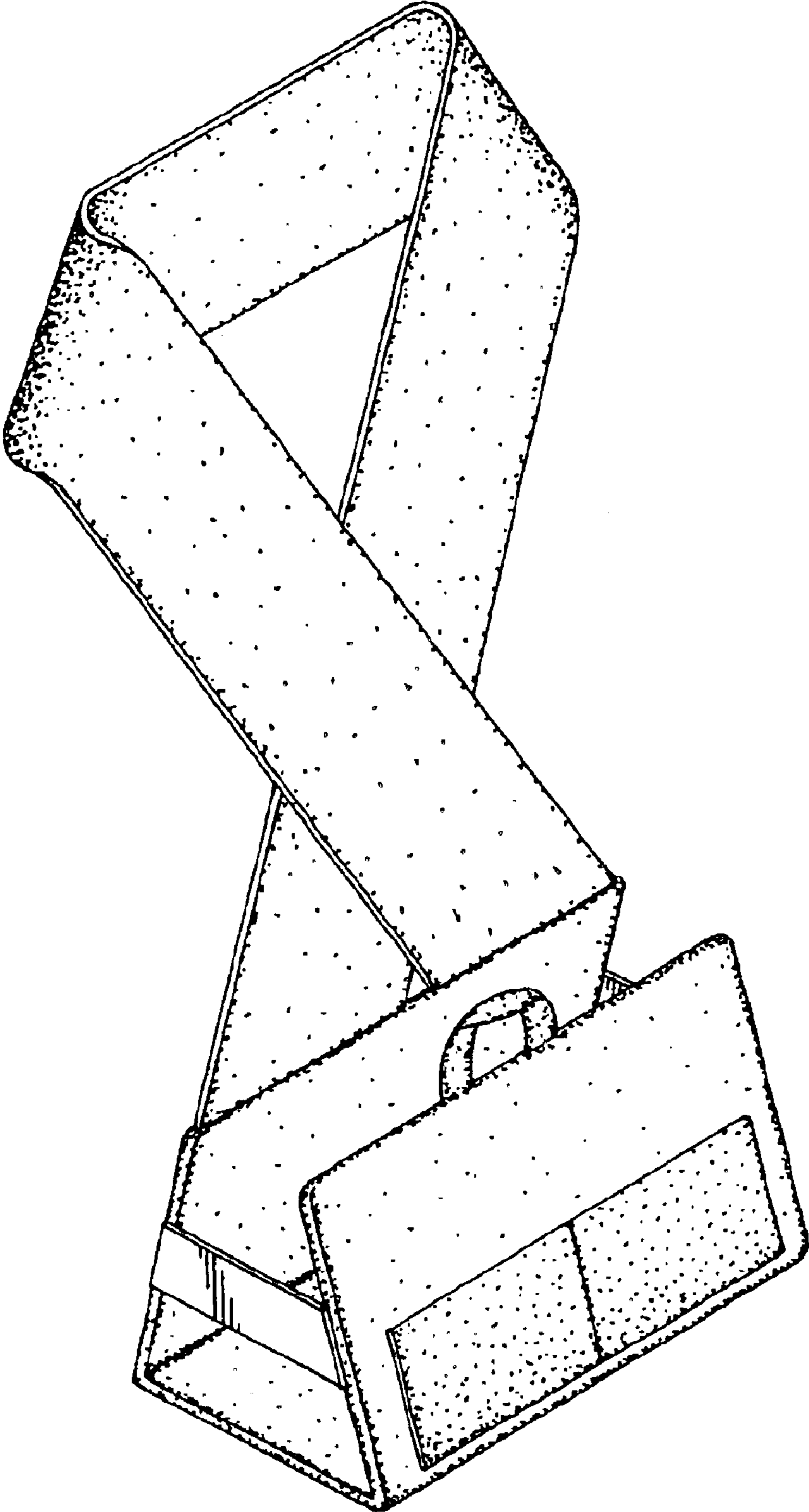


FIG. 7