



US00D497873S1

(12) **United States Design Patent**
Graber

(10) **Patent No.:** **US D497,873 S**
(45) **Date of Patent:** **** Nov. 2, 2004**

(54) **BICYCLE RACK UNIT**

(74) *Attorney, Agent, or Firm*—Stiennon & Stiennon

(75) **Inventor:** **Thomas L. Graber**, Madison, WI (US)

(57) **CLAIM**

(73) **Assignee:** **Trilary, Inc.**, Middleton, WI (US)

The ornamental design for a bicycle rack unit, as shown and described.

(**) **Term:** **14 Years**

(21) **Appl. No.:** **29/186,363**

DESCRIPTION

(22) **Filed:** **Jul. 14, 2003**

(51) **LOC (7) Cl.** **12-16**

FIG. 1 is an isometric view of the bicycle rack unit of this invention, the attachment plate shown in phantom view in the figures is environmental matter which forms no part of the claimed design;

(52) **U.S. Cl.** **D12/407**

(58) **Field of Search** D12/406-408,
D12/412; 224/309, 412, 413, 419; 211/17-22

FIG. 2 is a front elevational view thereof;

FIG. 3 is a rear elevational view thereof;

(56) **References Cited**

U.S. PATENT DOCUMENTS

- 5,098,155 A 3/1992 Graber
- D409,134 S * 5/1999 Will D12/407
- 6,257,419 B1 * 7/2001 Kamysiak 211/22

FIG. 4 is a top plan view thereof;

FIG. 5 is a bottom plan view thereof;

OTHER PUBLICATIONS

Dero Bike Racks sheet, with prices redacted.

FIG. 6 is a left side elevational view thereof; and,

FIG. 7 is a right side elevational view thereof.

* cited by examiner

Primary Examiner—Alan P. Douglas

1 Claim, 4 Drawing Sheets

Assistant Examiner—Linda Brooks

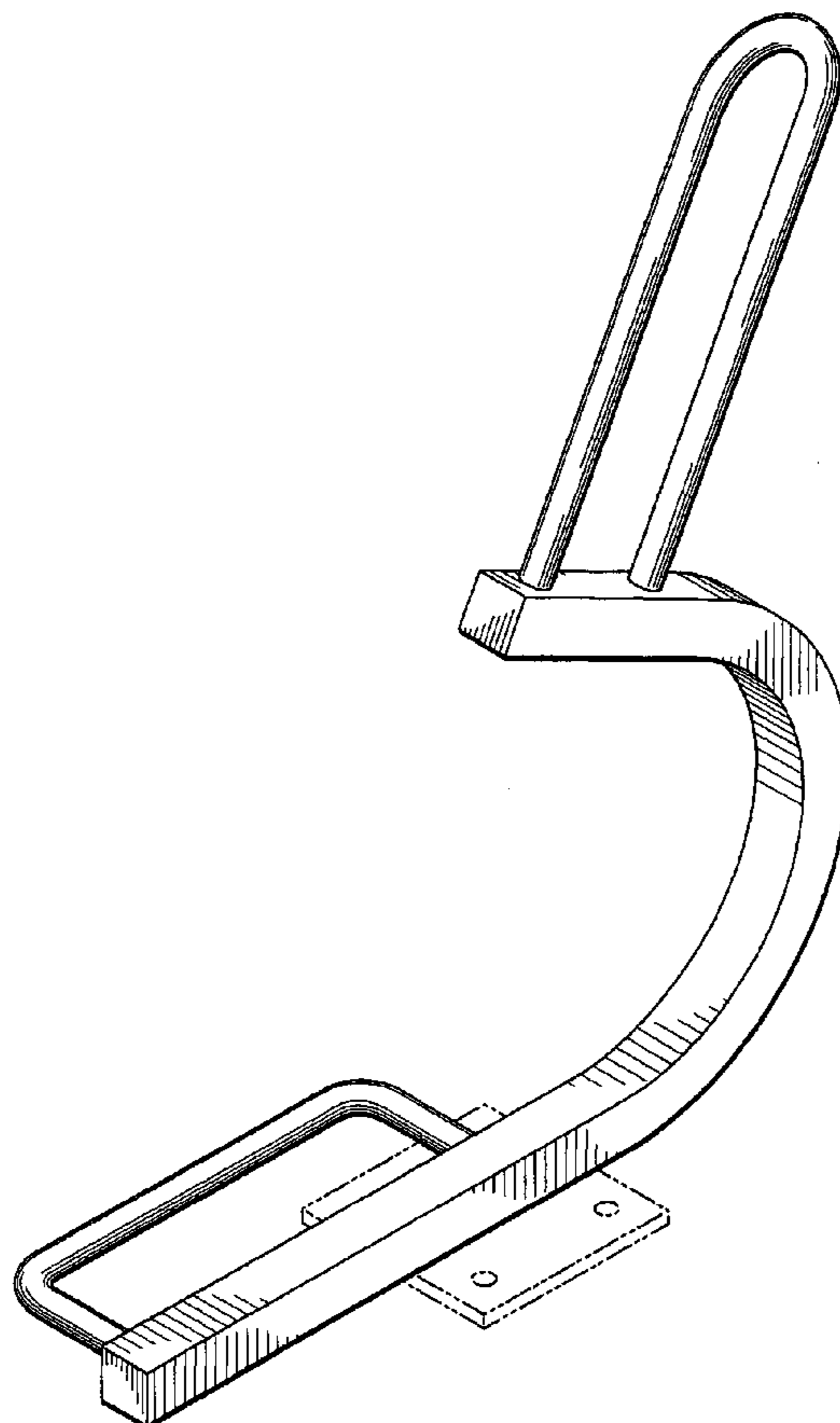
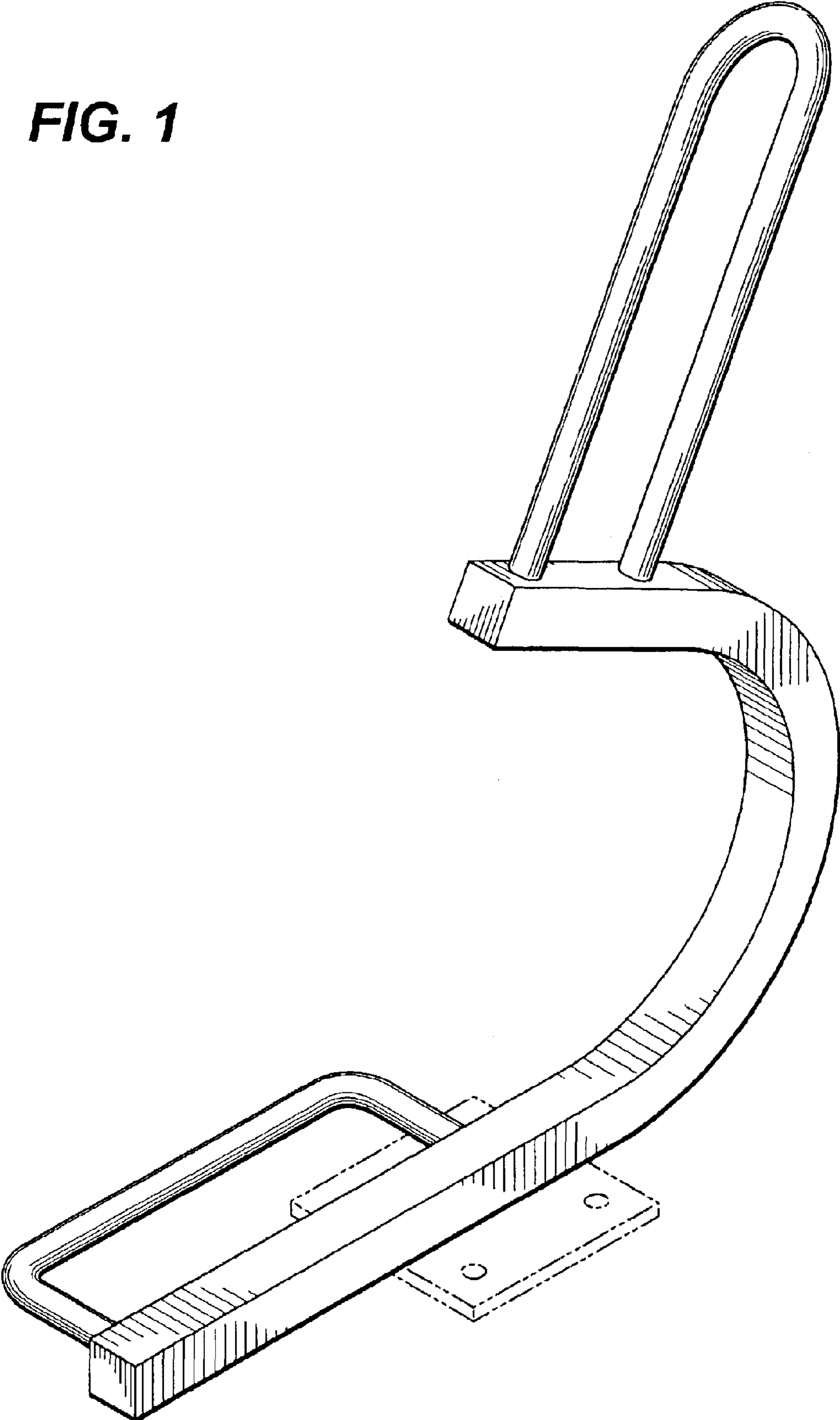


FIG. 1



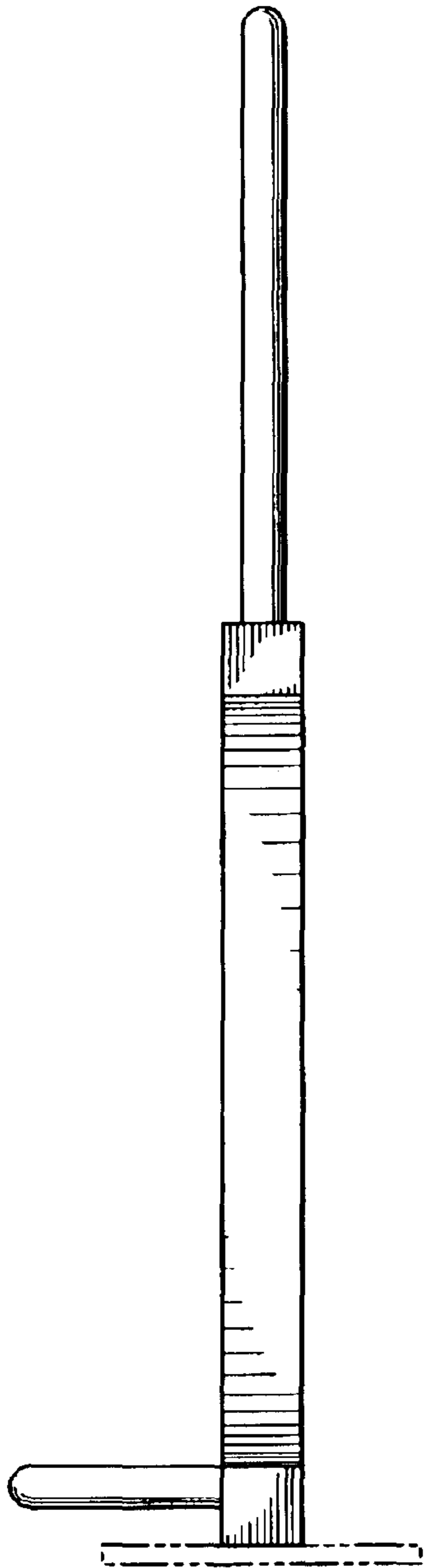


FIG. 2

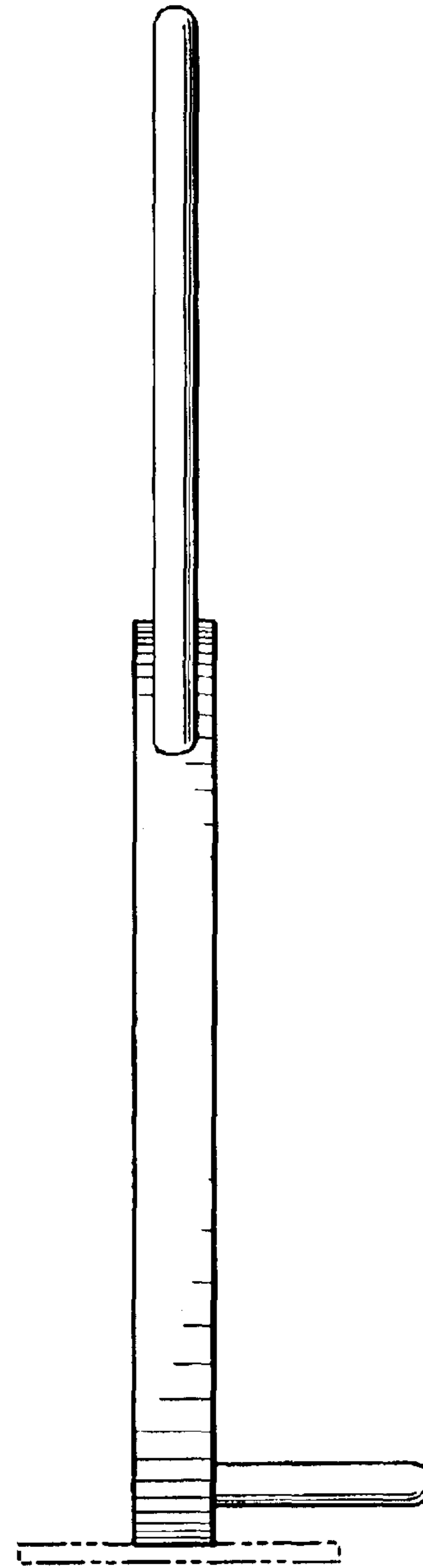


FIG. 3

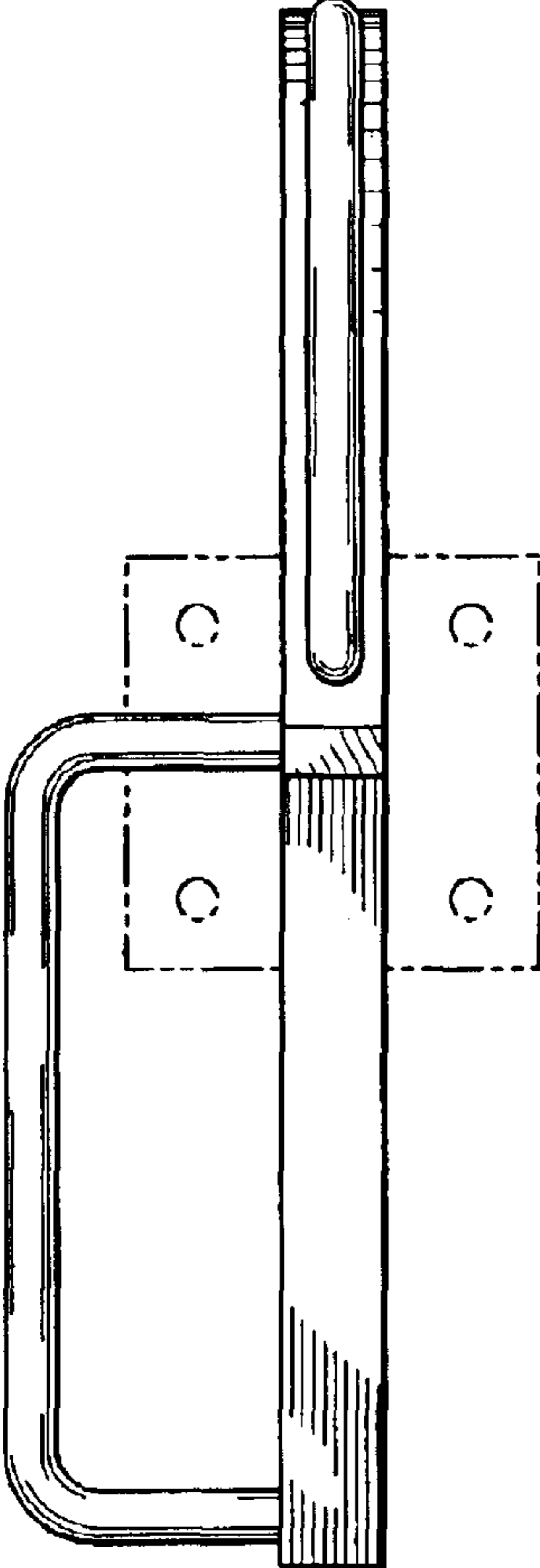


FIG. 4

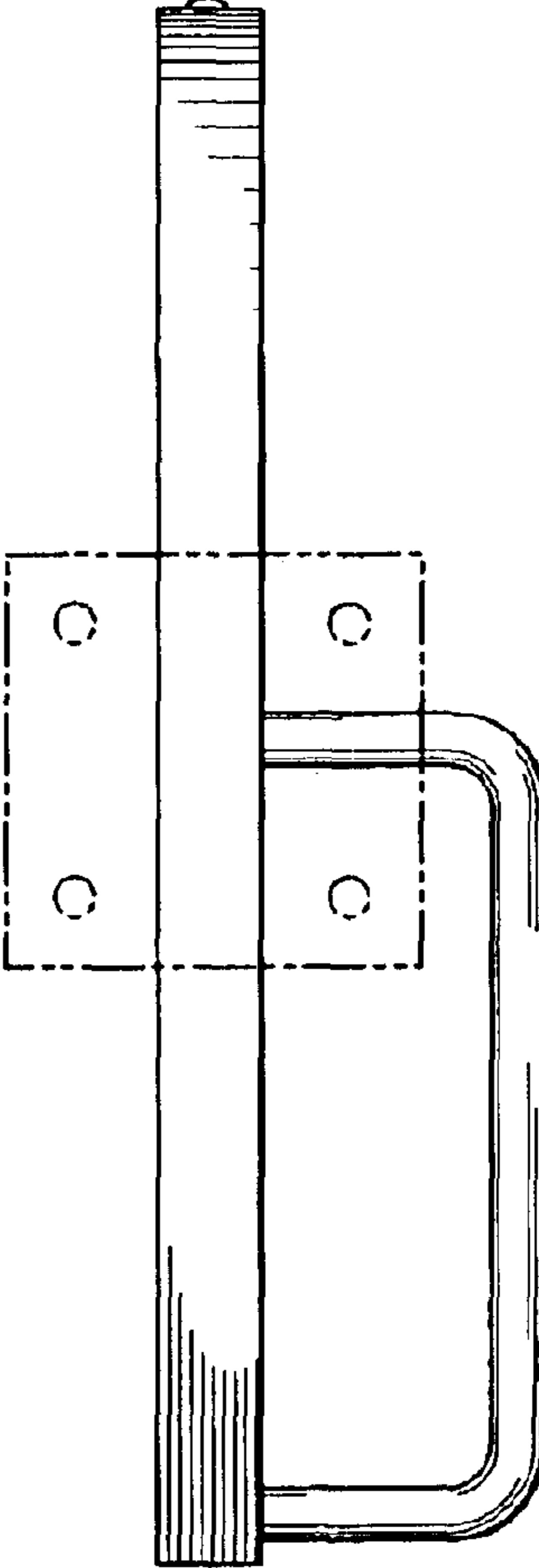


FIG. 5

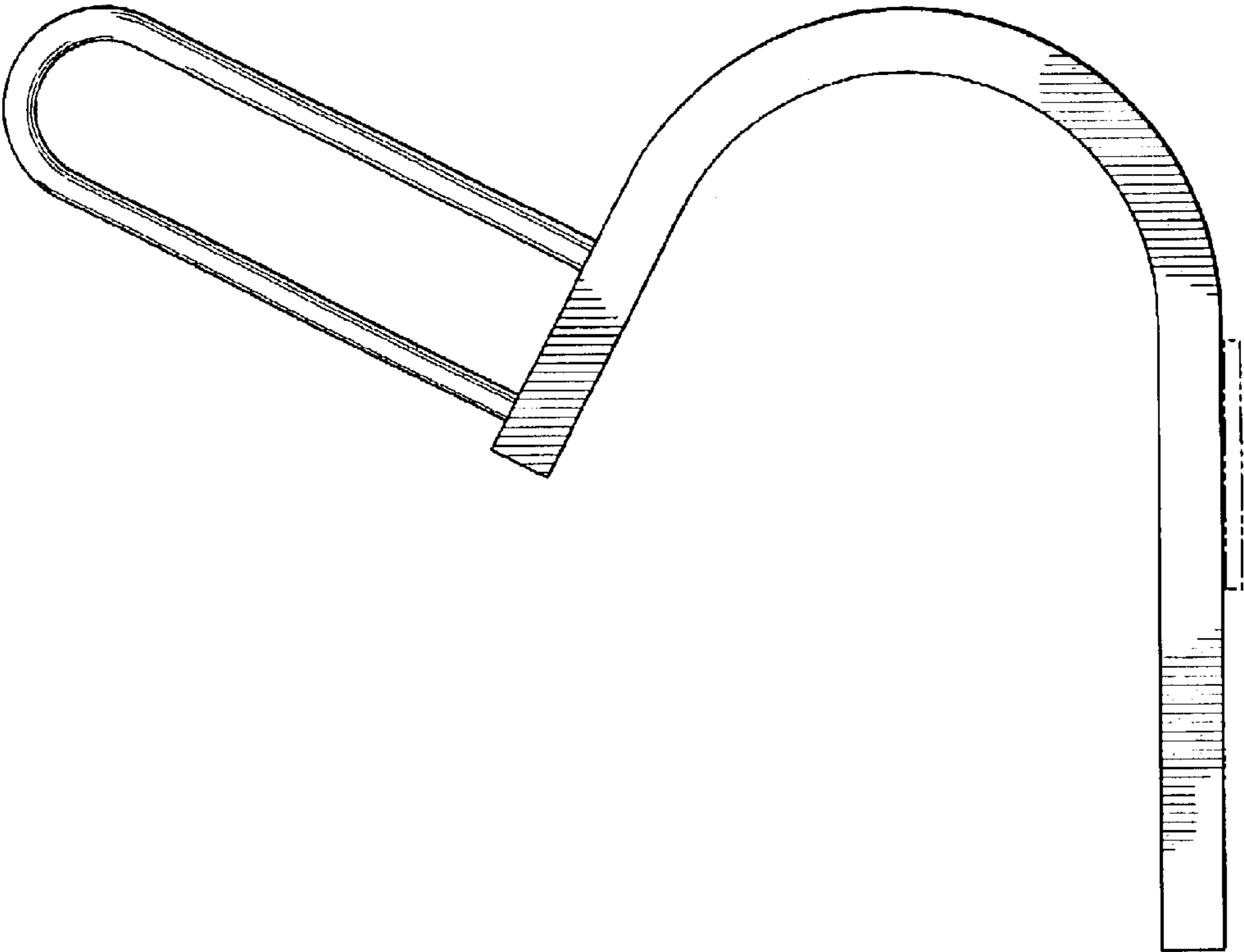


FIG. 7

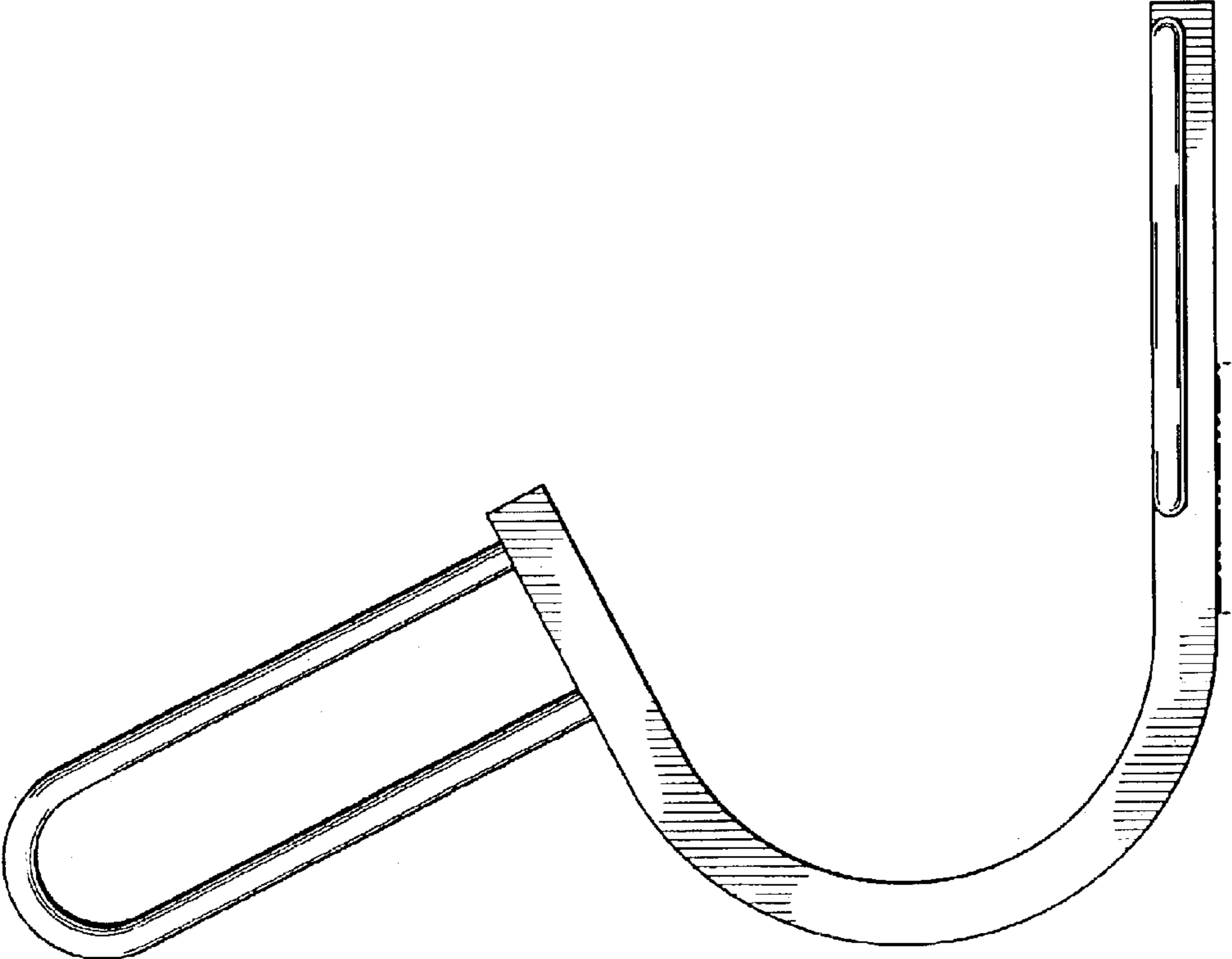


FIG. 6