

US00D497865S1

(12) **United States Design Patent** (10) **Patent No.:** **US D497,865 S**
Cahyono (45) **Date of Patent:** **** Nov. 2, 2004**

(54) **VEHICLE WHEEL**
 (75) Inventor: **Sumantri Cahyono, Surabaya (ID)**
 (73) Assignee: **PT Prima Alloy Steel Universal, Sidoarjo (ID)**
 (**) Term: **14 Years**

D466,465 S * 12/2002 Kim D12/209
 D479,175 S * 9/2003 Yun D12/209
 D481,345 S * 10/2003 O'Connell D12/211
 D481,985 S * 11/2003 Cahyono D12/211
 D488,422 S * 4/2004 Hartanto D12/209
 D489,307 S * 5/2004 Tirado D12/209
 D491,870 S * 6/2004 Kim D12/209

* cited by examiner

(21) Appl. No.: **29/204,308**
 (22) Filed: **Apr. 27, 2004**

Primary Examiner—Stacia Cadmus
 (74) *Attorney, Agent, or Firm*—Fulwider Patton Lee & Utecht, LLP

(51) **LOC (7) Cl.** **12-16**
 (52) **U.S. Cl.** **D12/209**
 (58) **Field of Search** D12/204–213;
 301/37.101, 64.101, 65

(57) **CLAIM**

The ornamental design for the “vehicle wheel,” as shown and described.

(56) **References Cited**

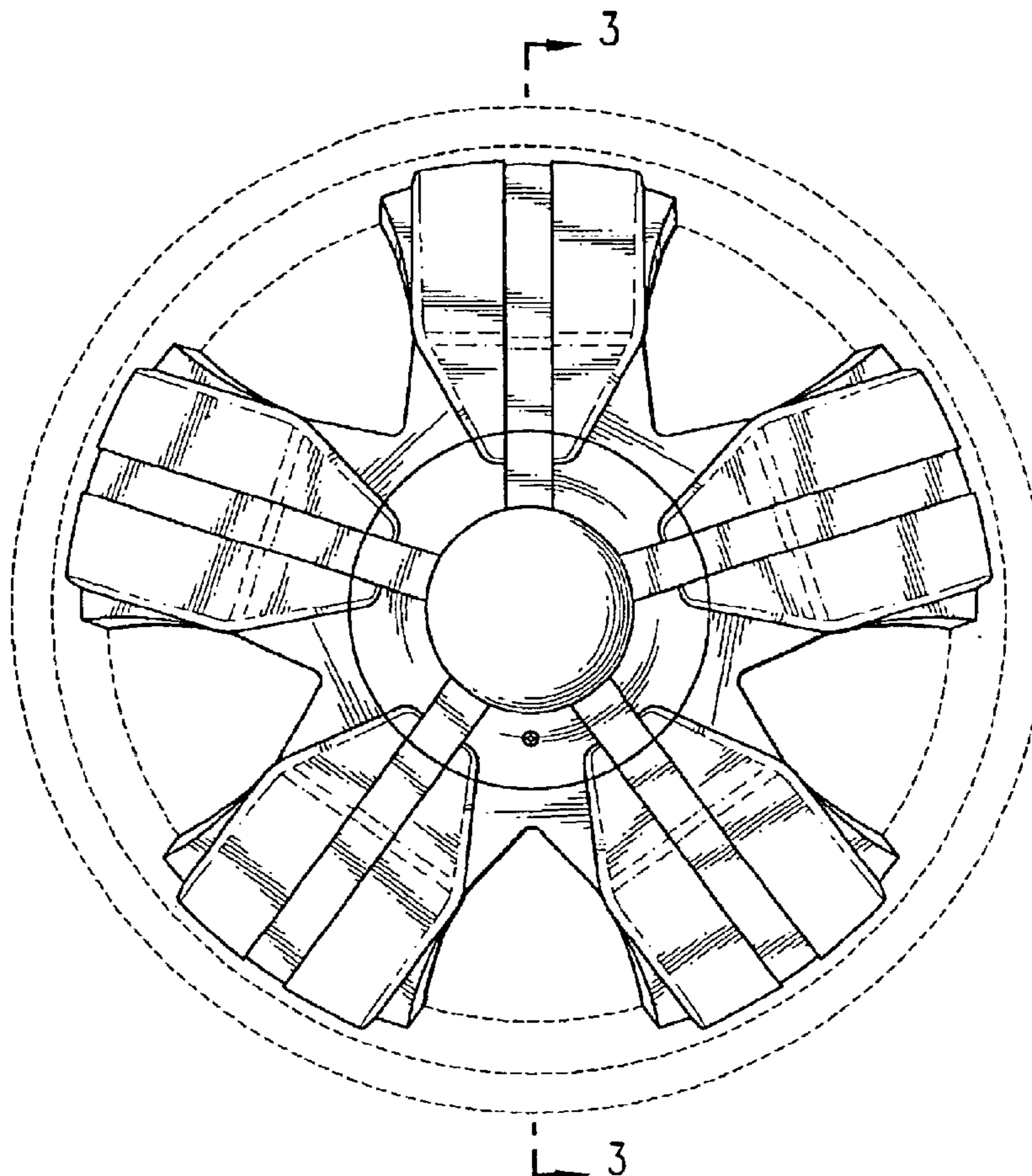
DESCRIPTION

U.S. PATENT DOCUMENTS

D419,513 S * 1/2000 Hartanto D12/209
 D431,517 S * 10/2000 Donikoglu D12/209
 D433,375 S * 11/2000 Fitzgerald D12/209
 D451,875 S * 12/2001 Arellano D12/209
 D453,725 S * 2/2002 Brown et al. D12/209
 D457,847 S * 5/2002 Neeper D12/209
 D460,731 S * 7/2002 Cahyono D12/209
 D466,065 S * 11/2002 Lee D12/209

FIG. 1 is a perspective view of the vehicle wheel showing my new design;
 FIG. 2 is a front elevational view thereof; and,
 FIG. 3 is a cross-sectional view taken along the lines of 3—3 of FIG. 2.
 The broken line showing of environment is for illustrative purposes only and forms no part of the claimed design.

1 Claim, 3 Drawing Sheets



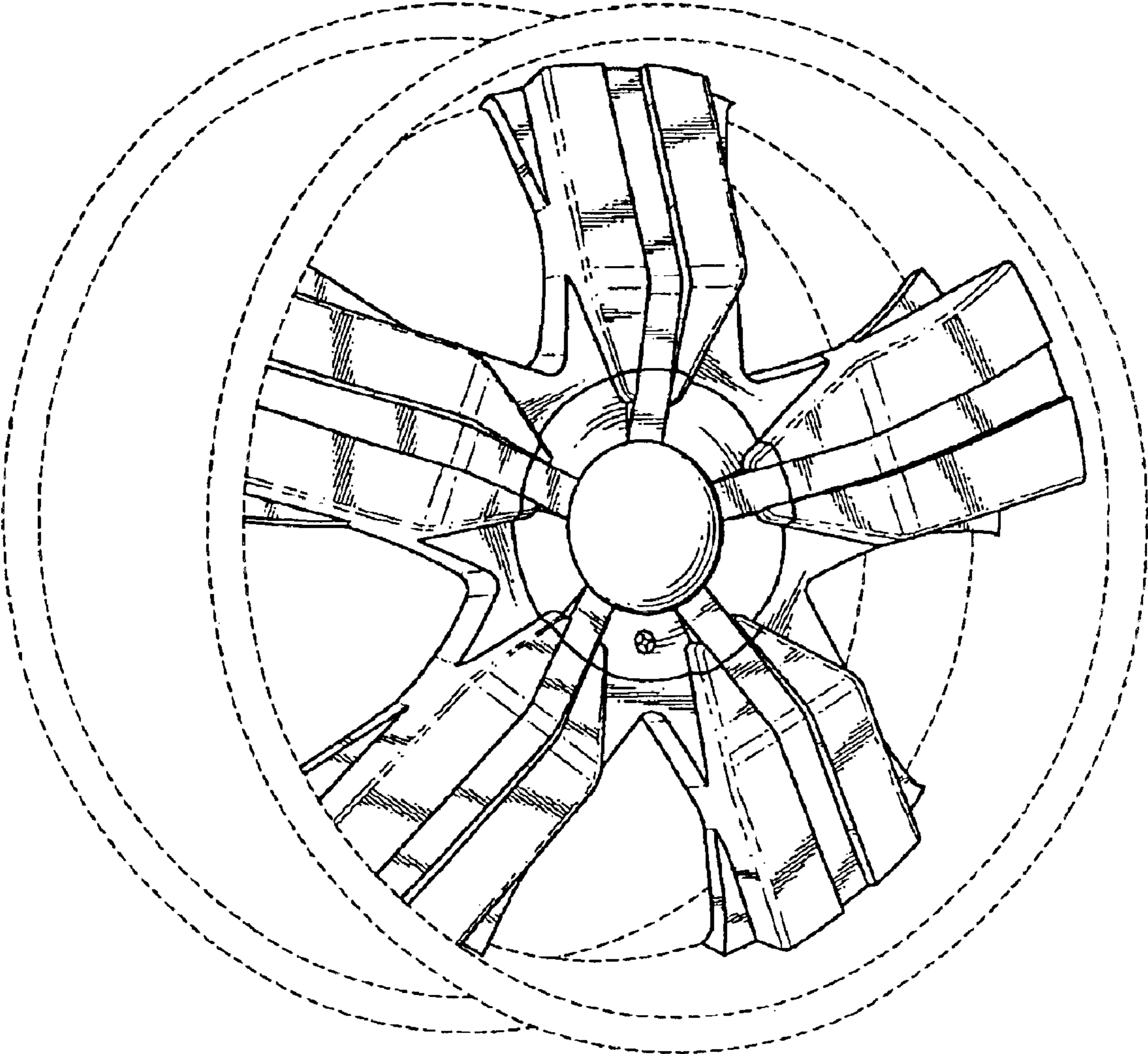


FIG. 1

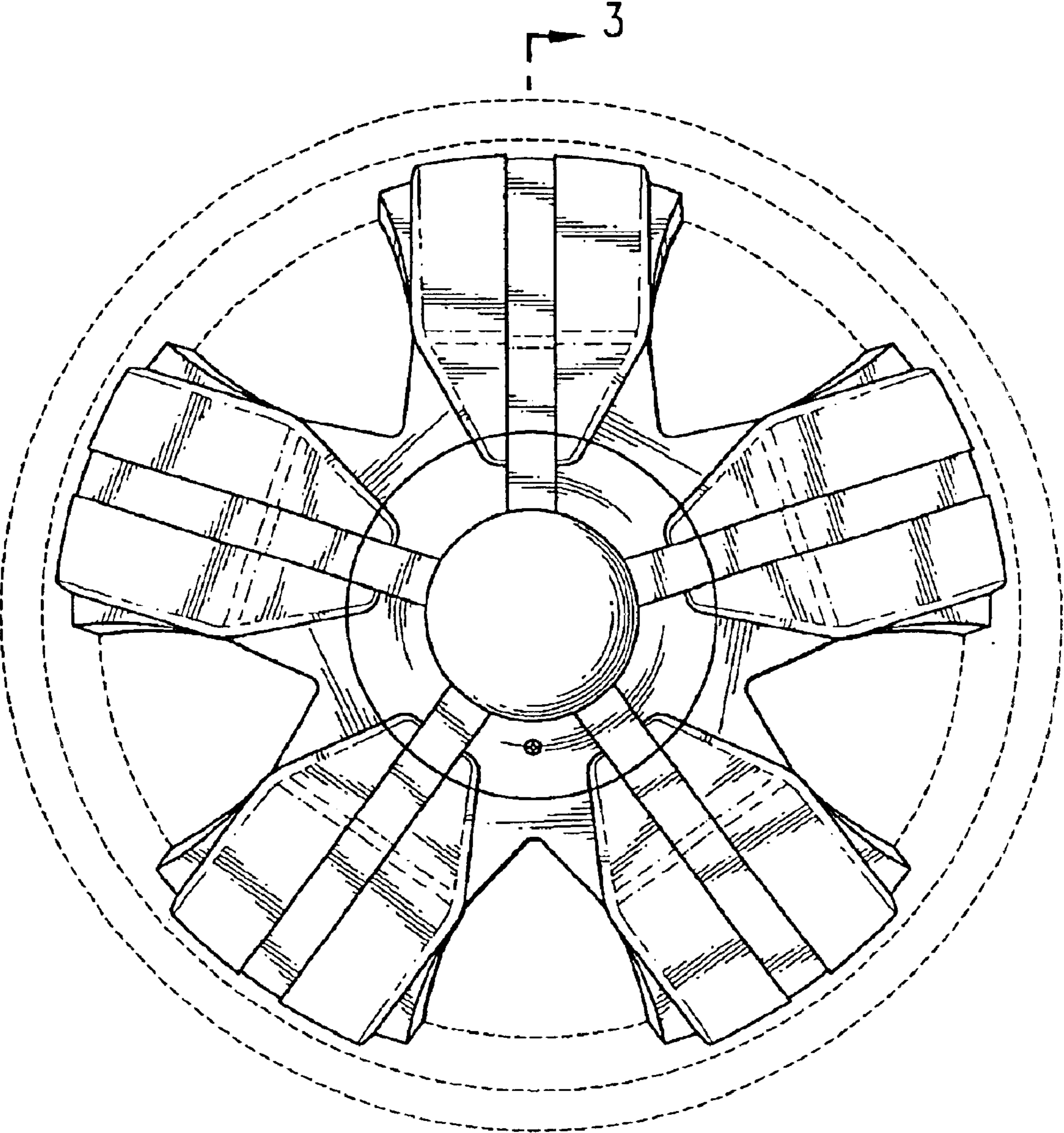


FIG. 2

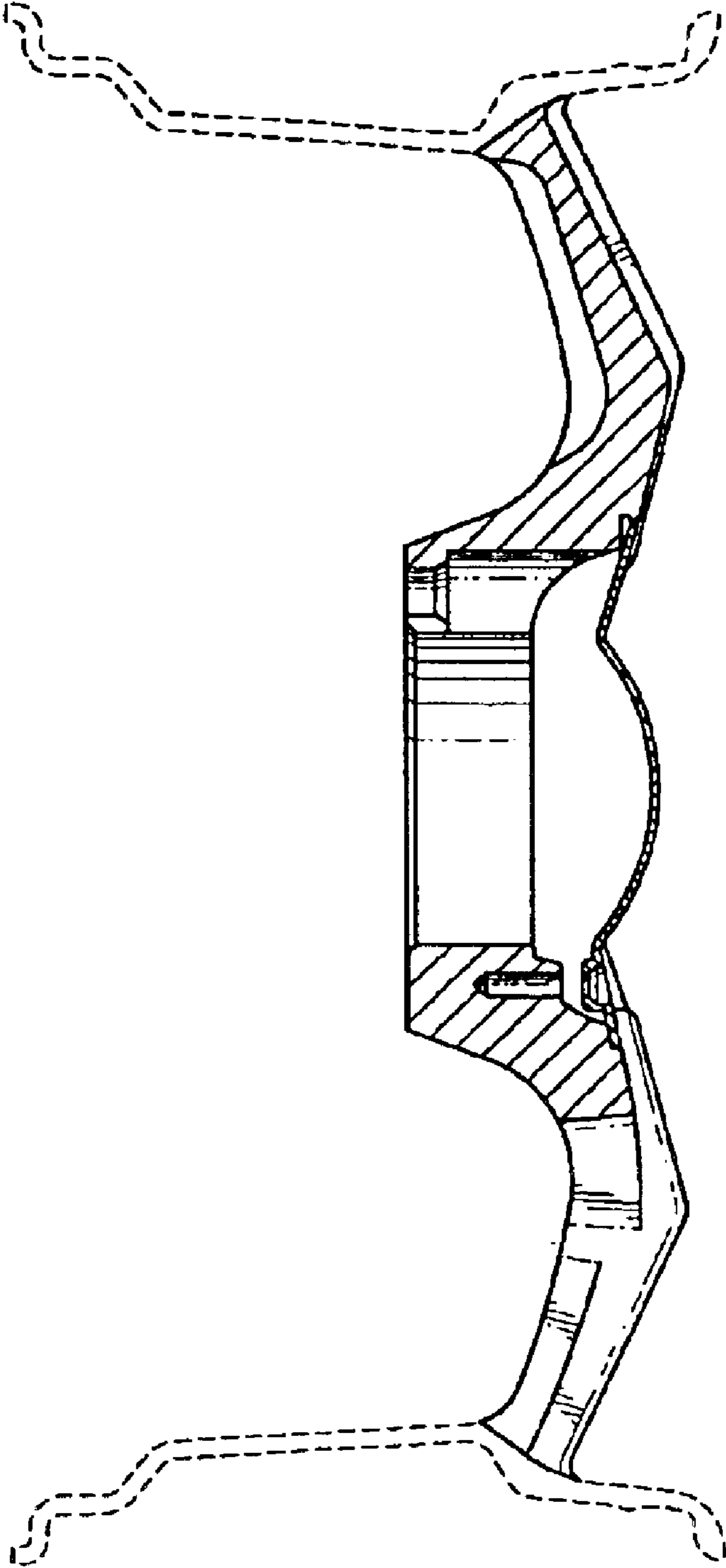


FIG. 3

UNITED STATES PATENT AND TRADEMARK OFFICE
CERTIFICATE OF CORRECTION

PATENT NO. : Des. 497,865 S
DATED : November 2, 2004
INVENTOR(S) : Sumantri Cahyono

Page 1 of 1

It is certified that error appears in the above-identified patent and that said Letters Patent is hereby corrected as shown below:

Title page,

Item [57], **CLAIM**, delete “decribed” and insert -- described --.

Signed and Sealed this

Tenth Day of May, 2005

A handwritten signature in black ink on a light gray dotted background. The signature reads "Jon W. Dudas" in a cursive style.

JON W. DUDAS

Director of the United States Patent and Trademark Office