

US00D497864S1

(12) **United States Design Patent**
Cahyono

(10) **Patent No.:** **US D497,864 S**

(45) **Date of Patent:** **** Nov. 2, 2004**

(54) **VEHICLE WHEEL**

(75) **Inventor:** **Sumantri Cahyono, Surabaya (ID)**

(73) **Assignee:** **PT Prima Alloy Steel Universal, Sidoarjo (ID)**

(**) **Term:** **14 Years**

(21) **Appl. No.:** **29/204,307**

(22) **Filed:** **Apr. 27, 2004**

(51) **LOC (7) Cl.** **12-16**

(52) **U.S. Cl.** **D12/209**

(58) **Field of Search** **D12/204-213;**
301/37.101, 64.101, 65

D480,677 S * 10/2003 Atwell D12/211
D482,647 S * 11/2003 Lecher et al. D12/211
D488,422 S * 4/2004 Hartanto D12/209
D491,511 S * 6/2004 Brintouch et al. D12/209

* cited by examiner

Primary Examiner—Stacia Cadmus

(74) *Attorney, Agent, or Firm*—Fulwider Patton Lee & Utecht, LLP

(57) **CLAIM**

The ornamental design for the “vehicle wheel,” as shown and described.

DESCRIPTION

FIG. 1 is a perspective view of the vehicle wheel showing my new design;

FIG. 2 is a front elevational view thereof; and,

FIG. 3 is a cross-sectional view taken along lines of 3—3 of FIG. 2.

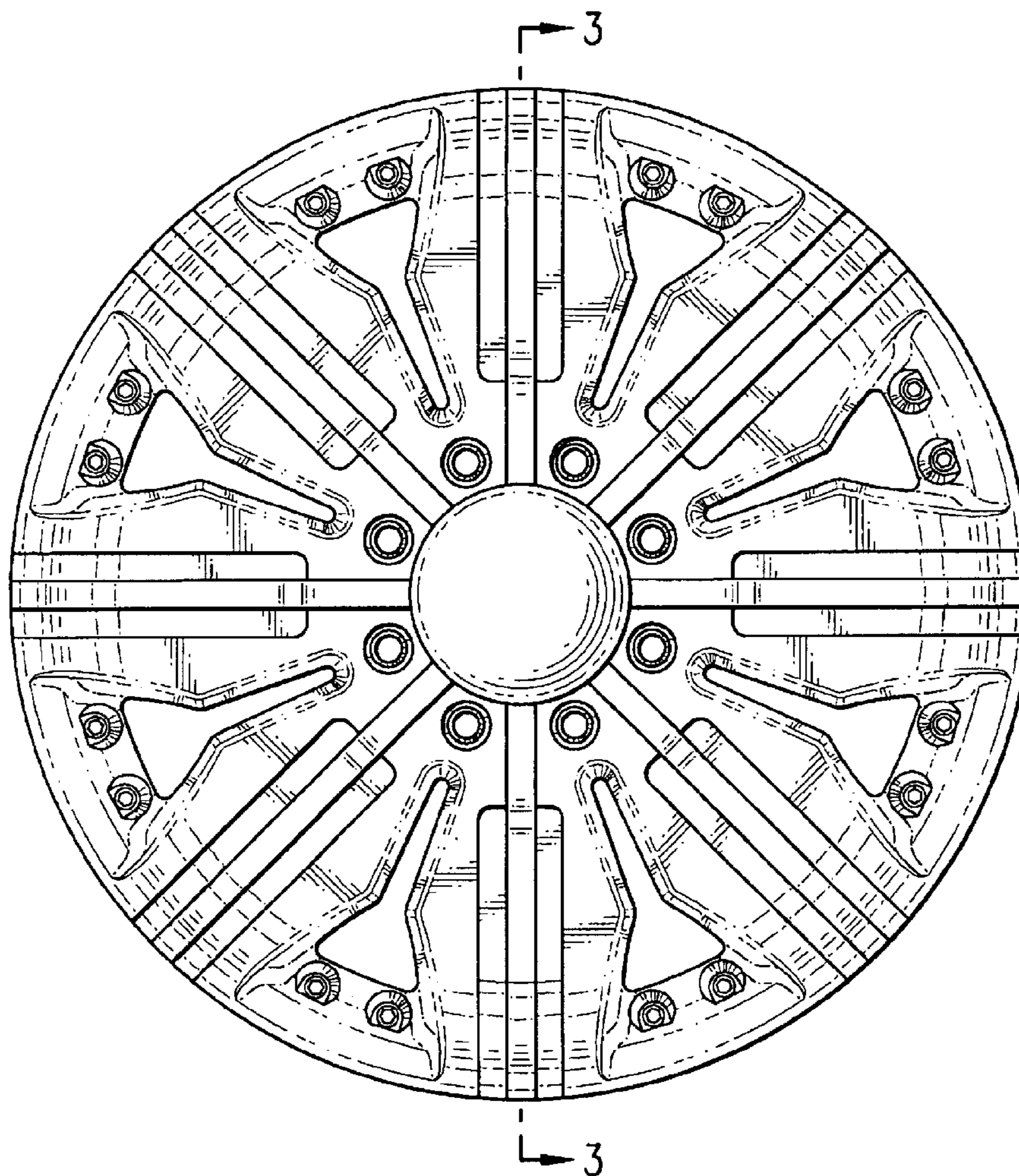
The broken line showing of environment is for illustrative purposes only and forms no part of the claimed design.

(56) **References Cited**

U.S. PATENT DOCUMENTS

D368,464 S * 4/1996 Morley et al. D12/209
D451,066 S * 11/2001 Pfeiffer et al. D12/211
D456,334 S * 4/2002 Brintouch D12/211
D468,251 S * 1/2003 Chung D12/211

1 Claim, 3 Drawing Sheets



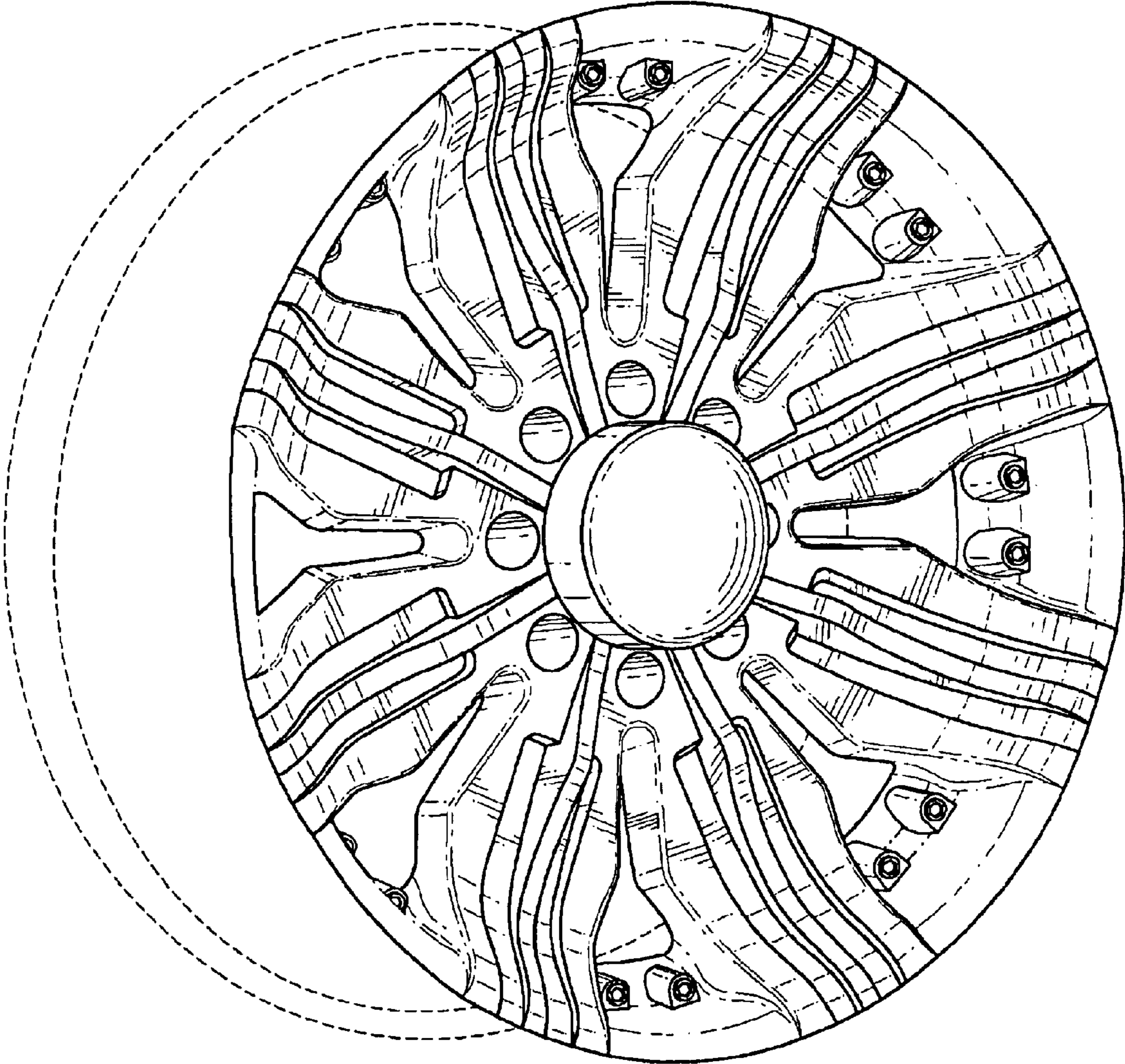


FIG. 1

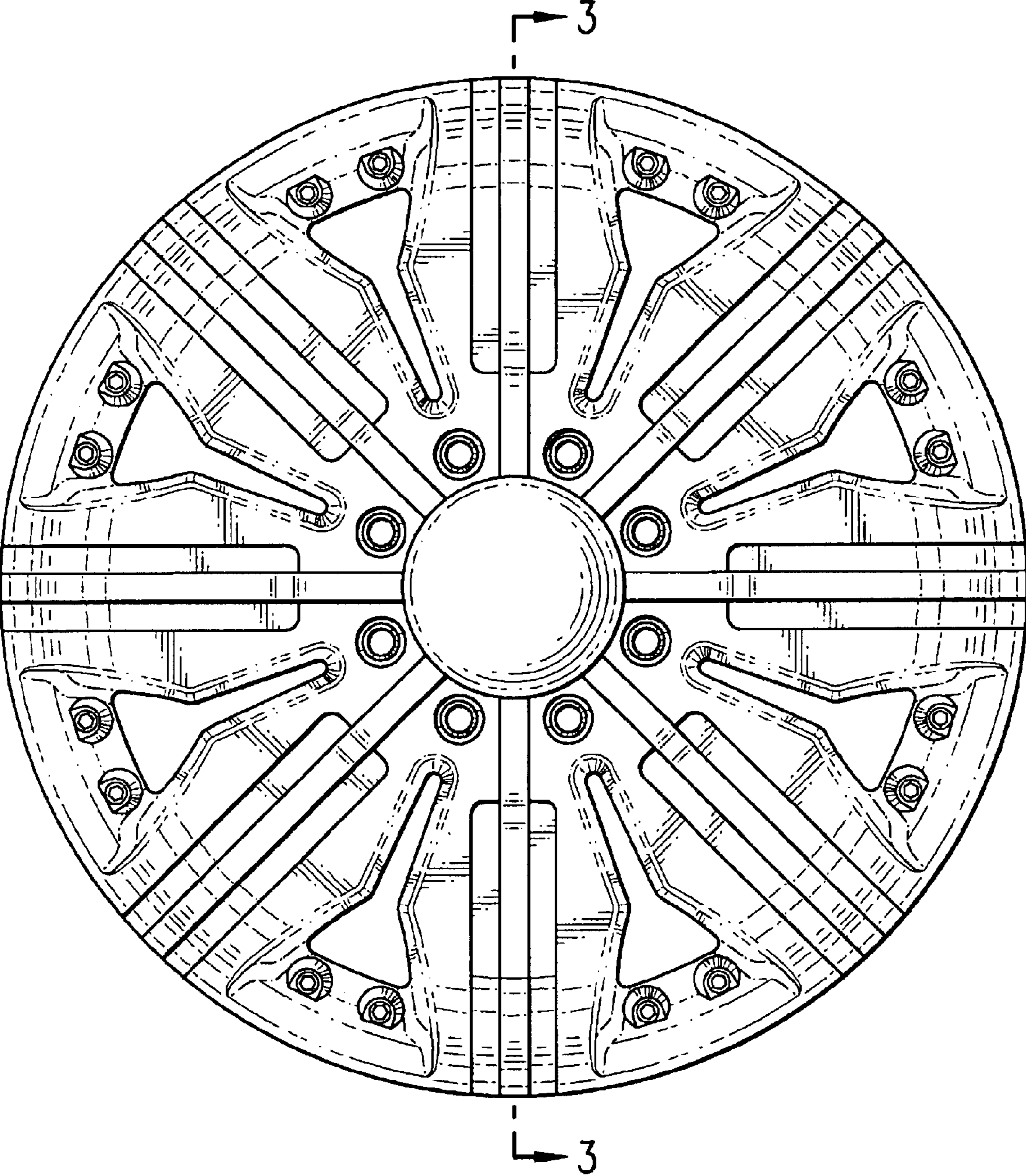


FIG. 2

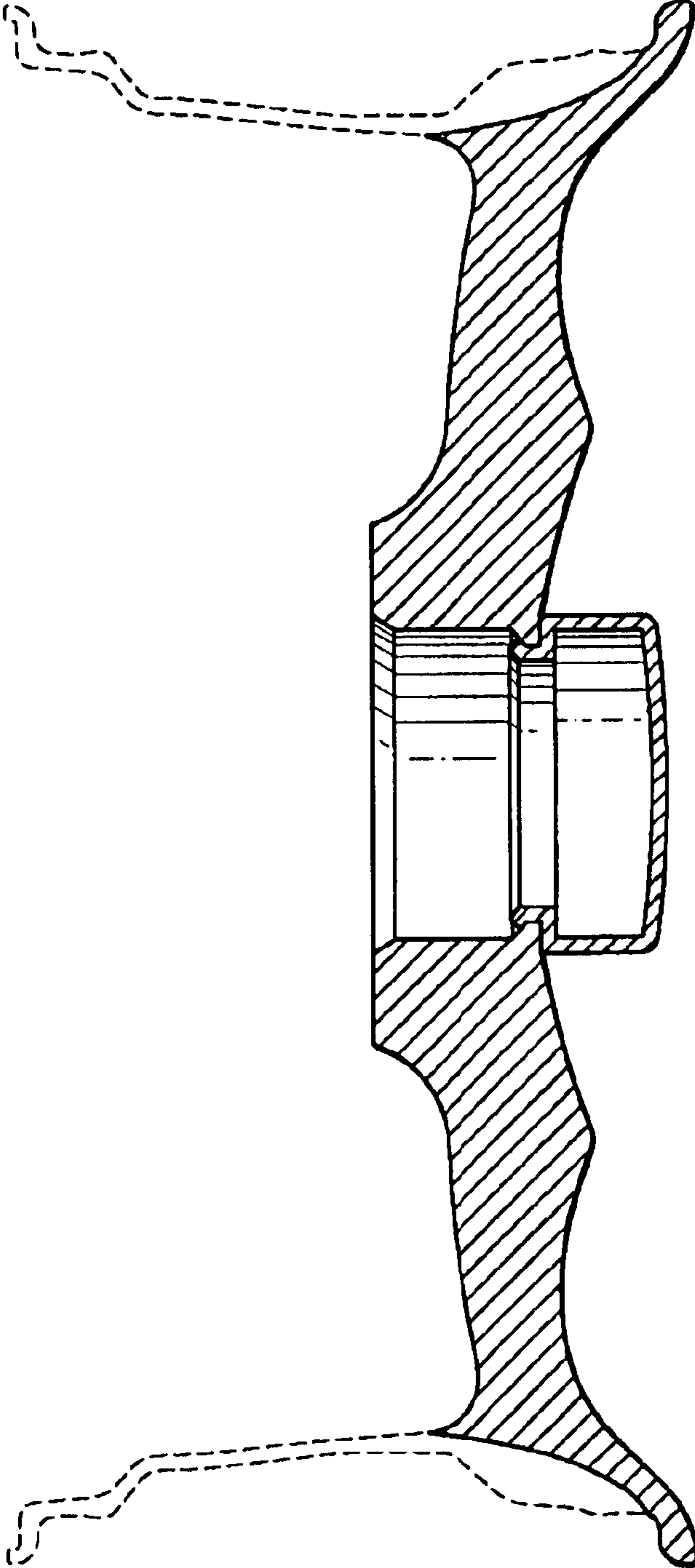


FIG. 3