



US00D497863S1

(12) **United States Design Patent**  
**Cahyono**

(10) **Patent No.:** **US D497,863 S**

(45) **Date of Patent:** **\*\* Nov. 2, 2004**

(54) **VEHICLE WHEEL**

(75) **Inventor:** **Sumantri Cahyono, Surabaya (ID)**

(73) **Assignee:** **PT Prima Alloy Steel Universal,  
Sidoarjo (ID)**

(\*\*) **Term:** **14 Years**

(21) **Appl. No.:** **29/204,306**

(22) **Filed:** **Apr. 27, 2004**

(51) **LOC (7) Cl.** ..... **12-16**

(52) **U.S. Cl.** ..... **D12/209**

(58) **Field of Search** ..... **D12/204-213;**  
**301/37.101, 64.101, 65**

D475,670 S	*	6/2003	Chung	.....	D12/209
D482,996 S	*	12/2003	Sulahian	.....	D12/211
D483,714 S	*	12/2003	Warming	.....	D12/211
D489,308 S	*	5/2004	Tirado	.....	D12/209
D489,667 S	*	5/2004	Kaucher	.....	D12/209
D490,040 S	*	5/2004	Foose	.....	D12/211

\* cited by examiner

*Primary Examiner*—Stacia Cadmus

(74) *Attorney, Agent, or Firm*—Fulwider Patton Lee & Utecht, LLP

(57) **CLAIM**

The ornamental design for the “vehicle wheel,” as shown and described.

**DESCRIPTION**

FIG. 1 is a perspective view of the vehicle wheel showing my new design;

FIG. 2 is a front elevational view thereof; and,

FIG. 3 is a cross-sectional view taken along the lines of 3—3 of FIG. 2.

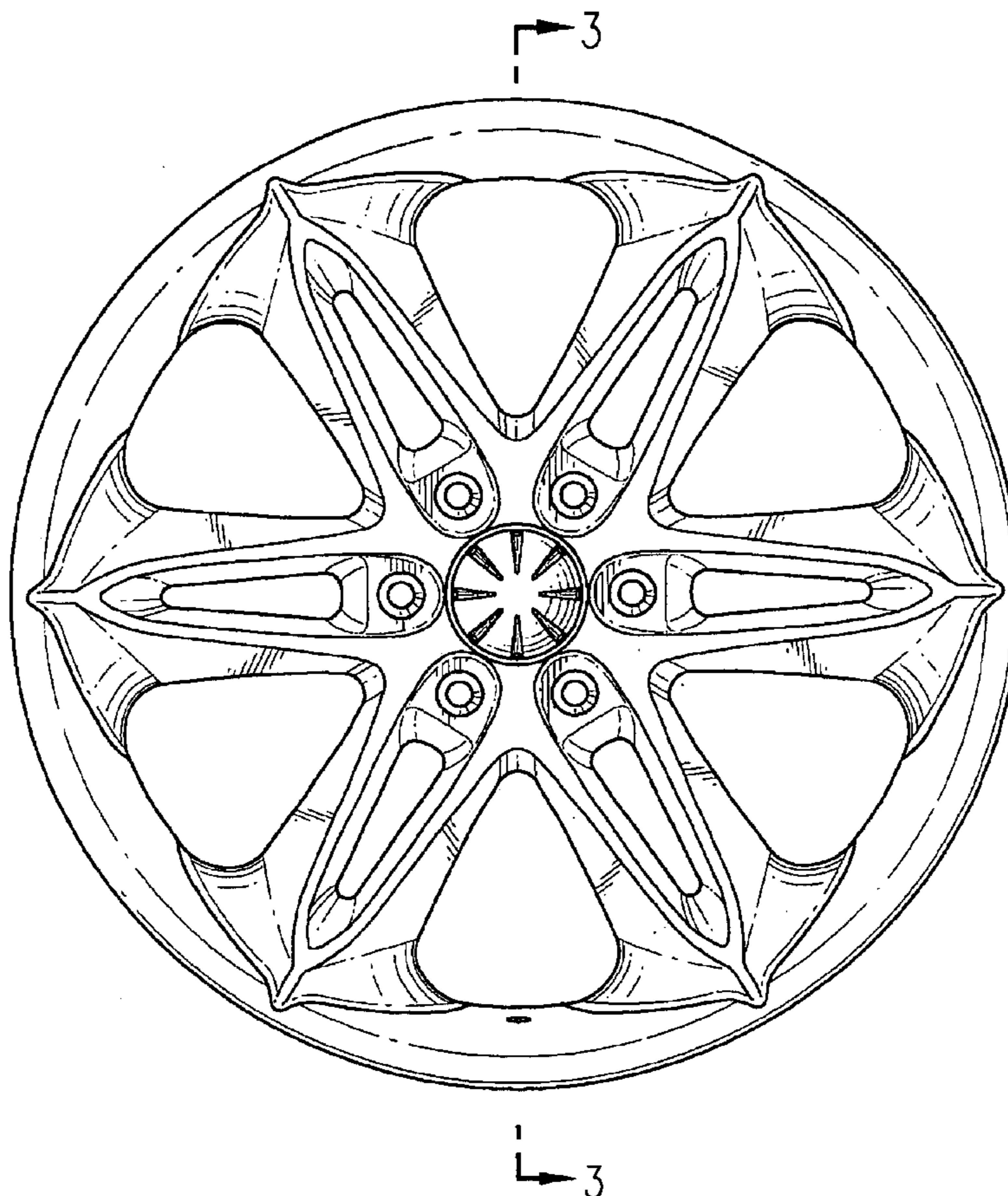
The broken line showing of environment is for illustrative purposes only and forms no part of the claimed design.

**1 Claim, 3 Drawing Sheets**

(56) **References Cited**

**U.S. PATENT DOCUMENTS**

D422,258 S	*	4/2000	Hale, Jr.	.....	D12/211
D455,696 S	*	4/2002	Foose	.....	D12/209
D465,186 S	*	11/2002	Chung	.....	D12/211
D467,212 S	*	12/2002	Noriega	.....	D12/209
D470,812 S	*	2/2003	Chu	.....	D12/211
D471,499 S	*	3/2003	Cahyono	.....	D12/209
D474,141 S	*	5/2003	Foose	.....	D12/211



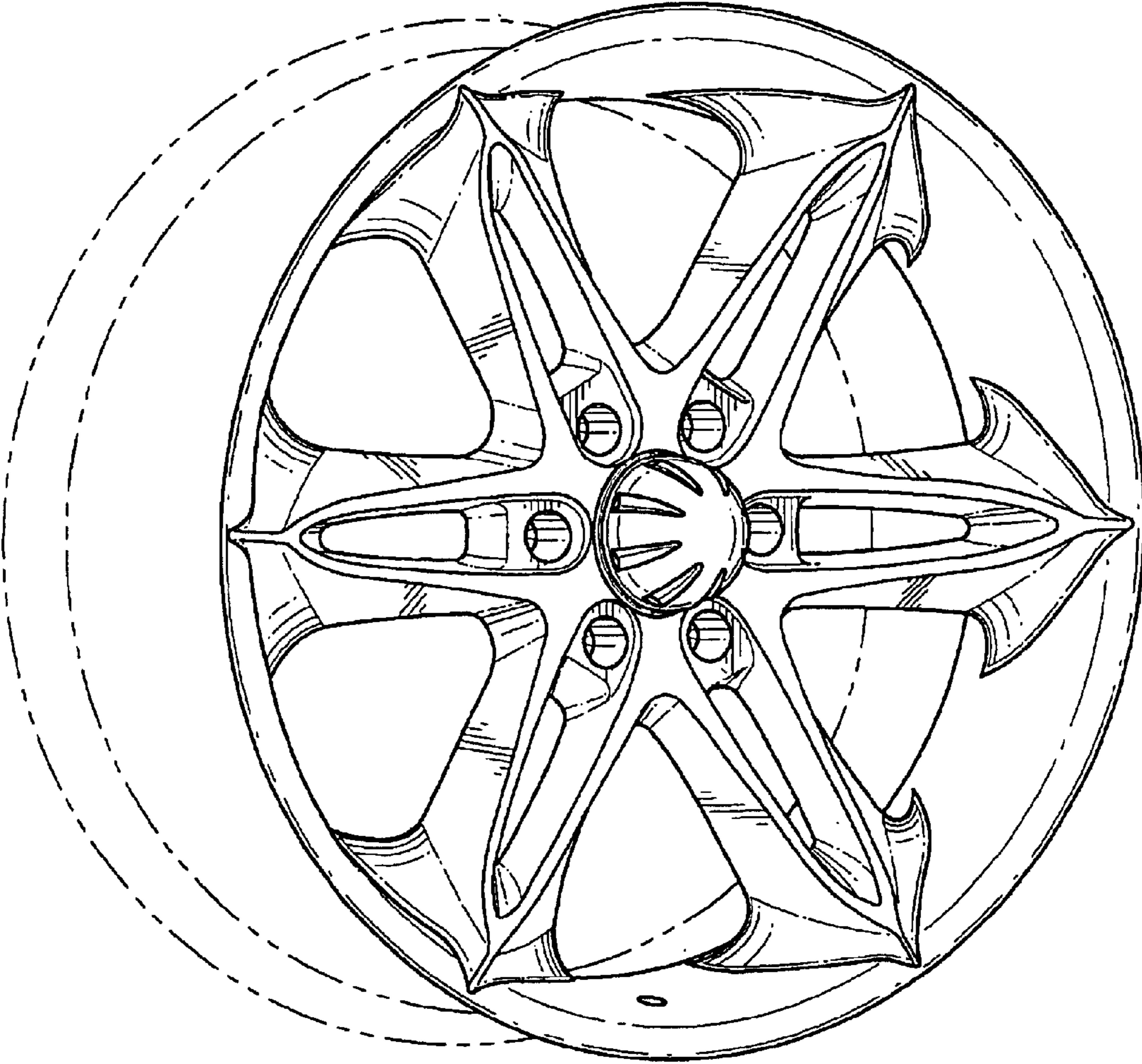


FIG. 1

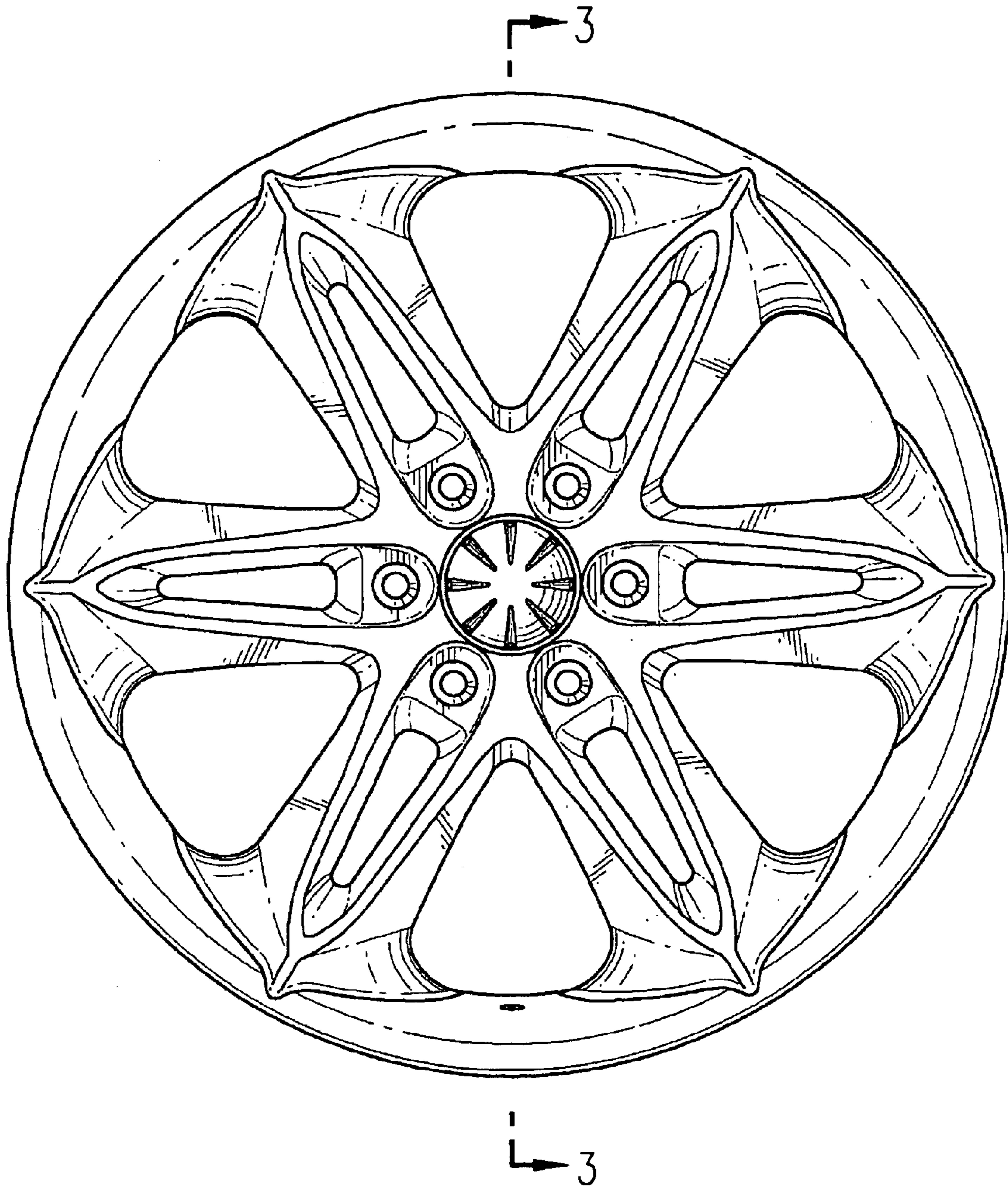


FIG. 2



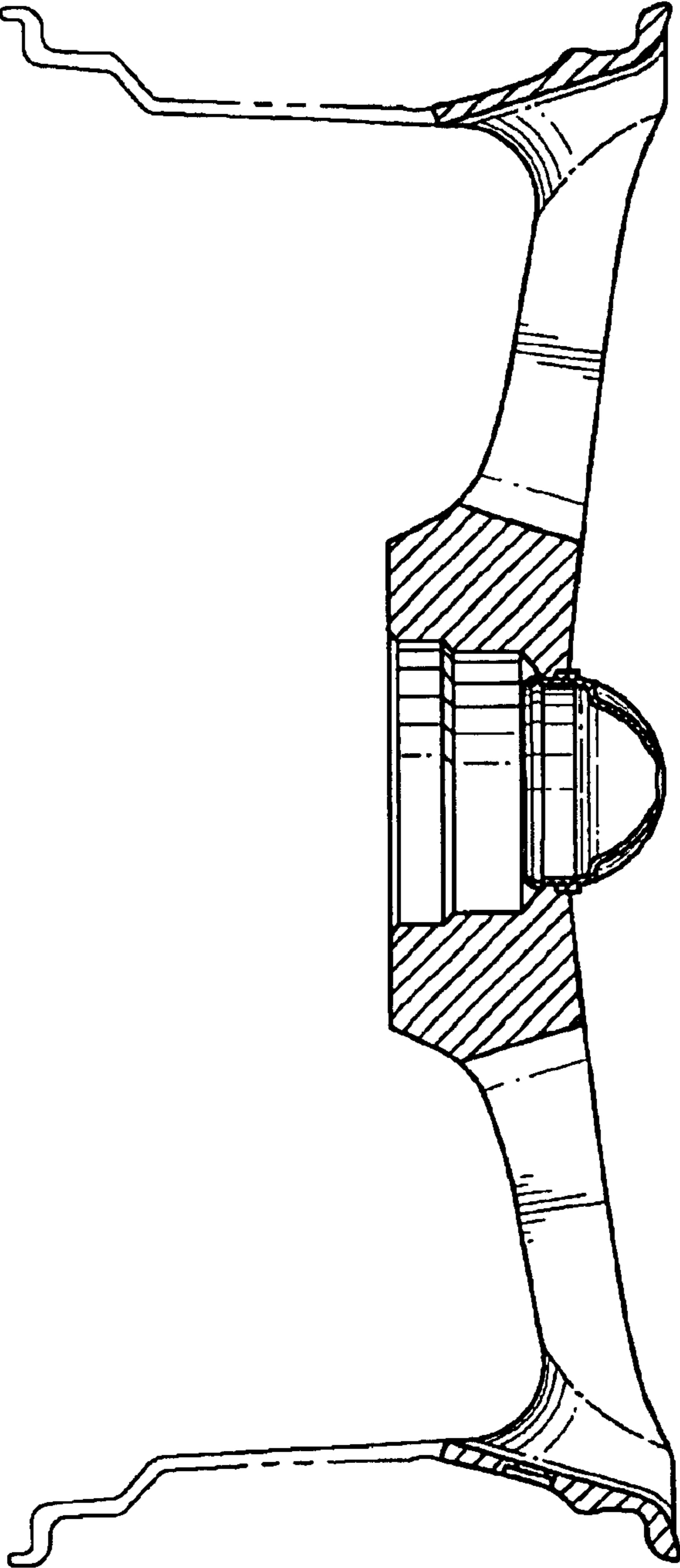


FIG. 3