

US00D497859S1

(12) **United States Design Patent**  
**Schultz**

(10) **Patent No.: US D497,859 S**

(45) **Date of Patent: \*\* Nov. 2, 2004**

(54) **INSTRUMENT DISPLAY**

(76) **Inventor: James Schultz, 211 Sandy Point La.,  
Lake Zurich, IL (US) 60047**

(\*\*) **Term: 14 Years**

(21) **Appl. No.: 29/200,298**

(22) **Filed: Feb. 26, 2004**

**Related U.S. Application Data**

(62) **Division of application No. 29/195,190, filed on Dec. 8,  
2003.**

(51) **LOC (7) Cl. .... 12-16**

(52) **U.S. Cl. .... D12/192**

(58) **Field of Search ..... D12/192; 180/90;  
280/750-752; 296/190-191, 70; D10/46,  
102, 98, 122-127**

(56) **References Cited**

**U.S. PATENT DOCUMENTS**

- D198,279 S \* 5/1964 Karbo ..... D12/192
- D279,975 S \* 8/1985 Akira et al. .... D12/192
- D440,925 S \* 4/2001 Pfeiffer ..... D12/192
- D461,437 S \* 8/2002 Hofmann et al. .... D12/192
- D467,844 S \* 12/2002 Preston ..... D12/192

- D467,845 S \* 12/2002 Pfeiffer et al. .... D12/192
- D476,276 S \* 6/2003 Day ..... D12/192
- D483,309 S \* 12/2003 Wyszogrod ..... D12/192
- D484,081 S \* 12/2003 Day ..... D12/192
- D486,435 S \* 2/2004 Day et al. .... D12/192

\* cited by examiner

*Primary Examiner*—Stacia Cadmus

(74) *Attorney, Agent, or Firm*—Fitch, Even, Tabin &  
Flannery

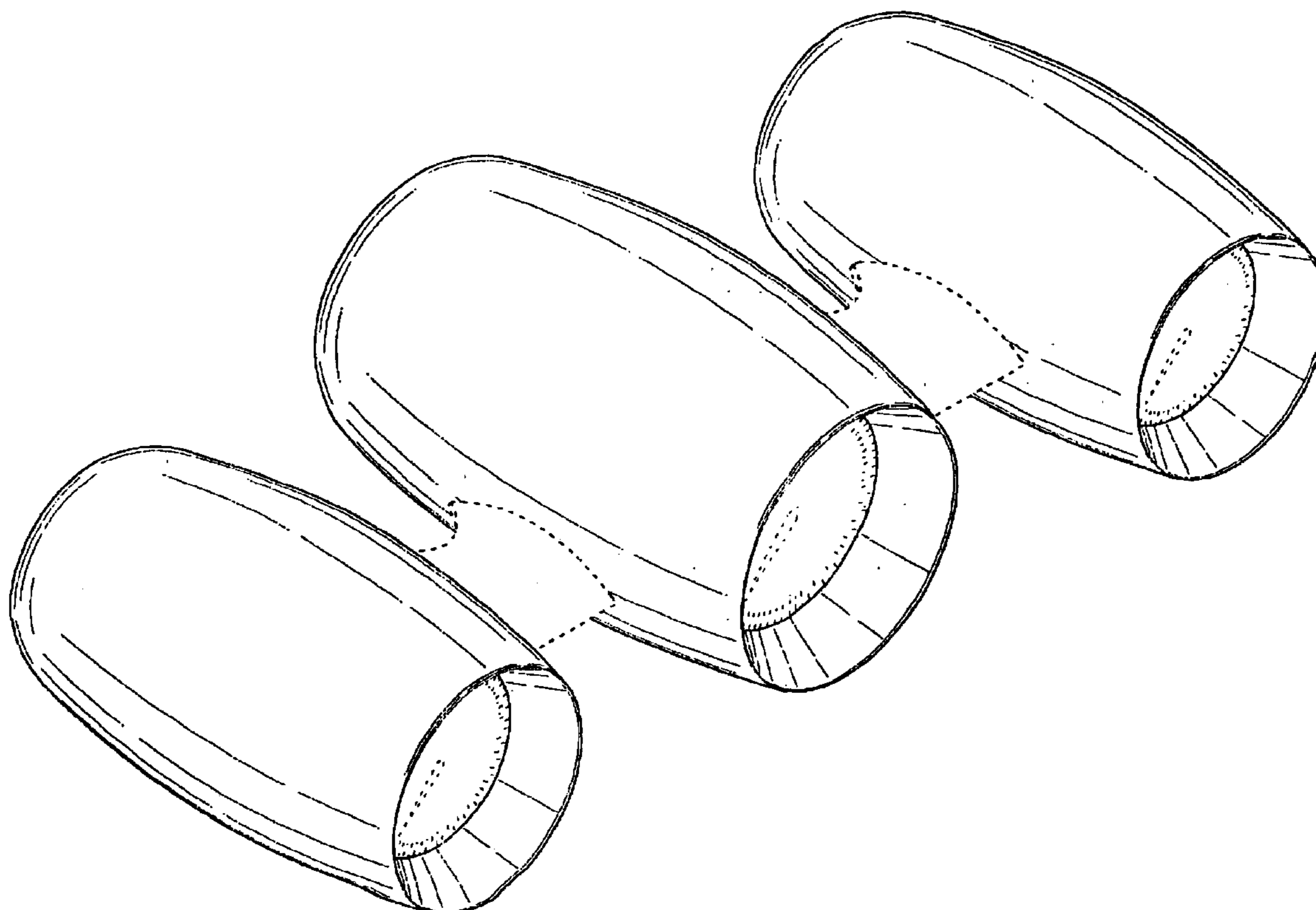
(57) **CLAIM**

The ornamental design for an instrument display, as shown  
and described.

**DESCRIPTION**

FIG. 1 is a perspective view of an instrument display of my  
new design;  
FIG. 2 is a top plan view of FIG. 1 thereof, whereof a bottom  
plan view is a mirror image;  
FIG. 3 is a left side elevational view of FIG. 1 thereof,  
whereof a right side elevational view is a mirror image;  
FIG. 4 is a front side elevational view of FIG. 1 thereof; and,  
FIG. 5 is a rear side elevational view of FIG. 1 thereof.  
The broken line showing of environment is for illustrative  
purposes only and forms no part of the claimed design.

**1 Claim, 4 Drawing Sheets**



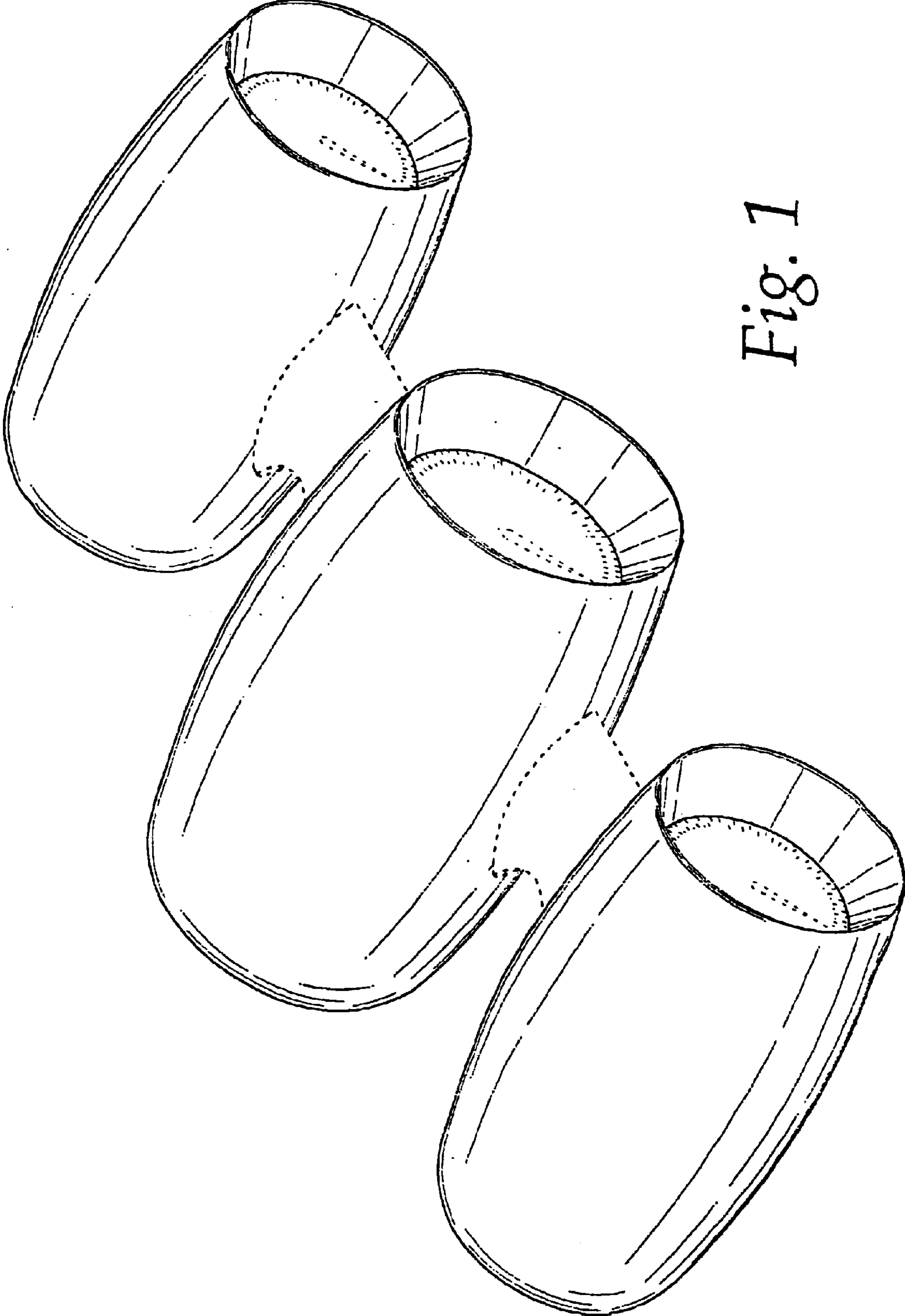


Fig. 1

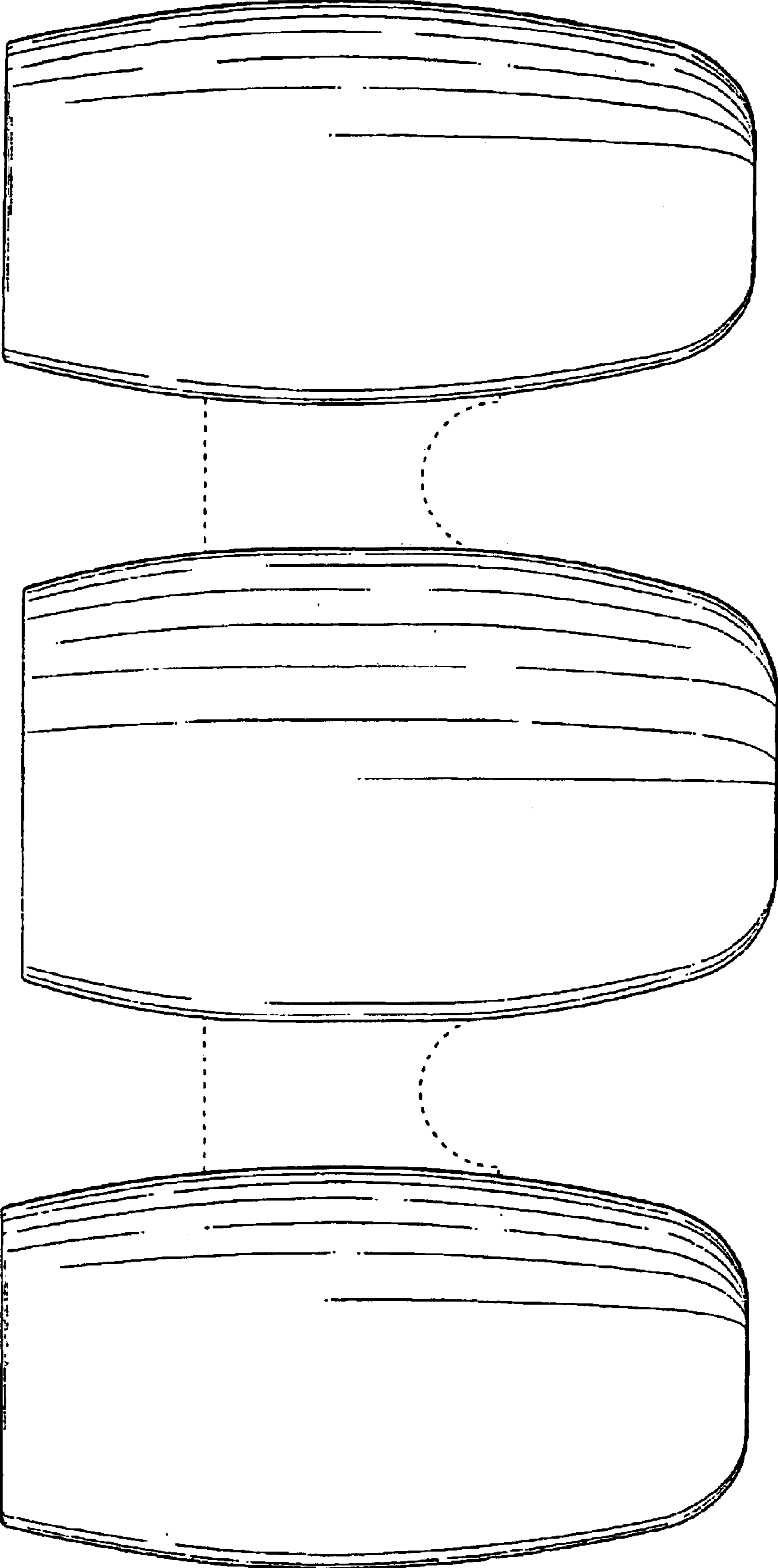


Fig. 2

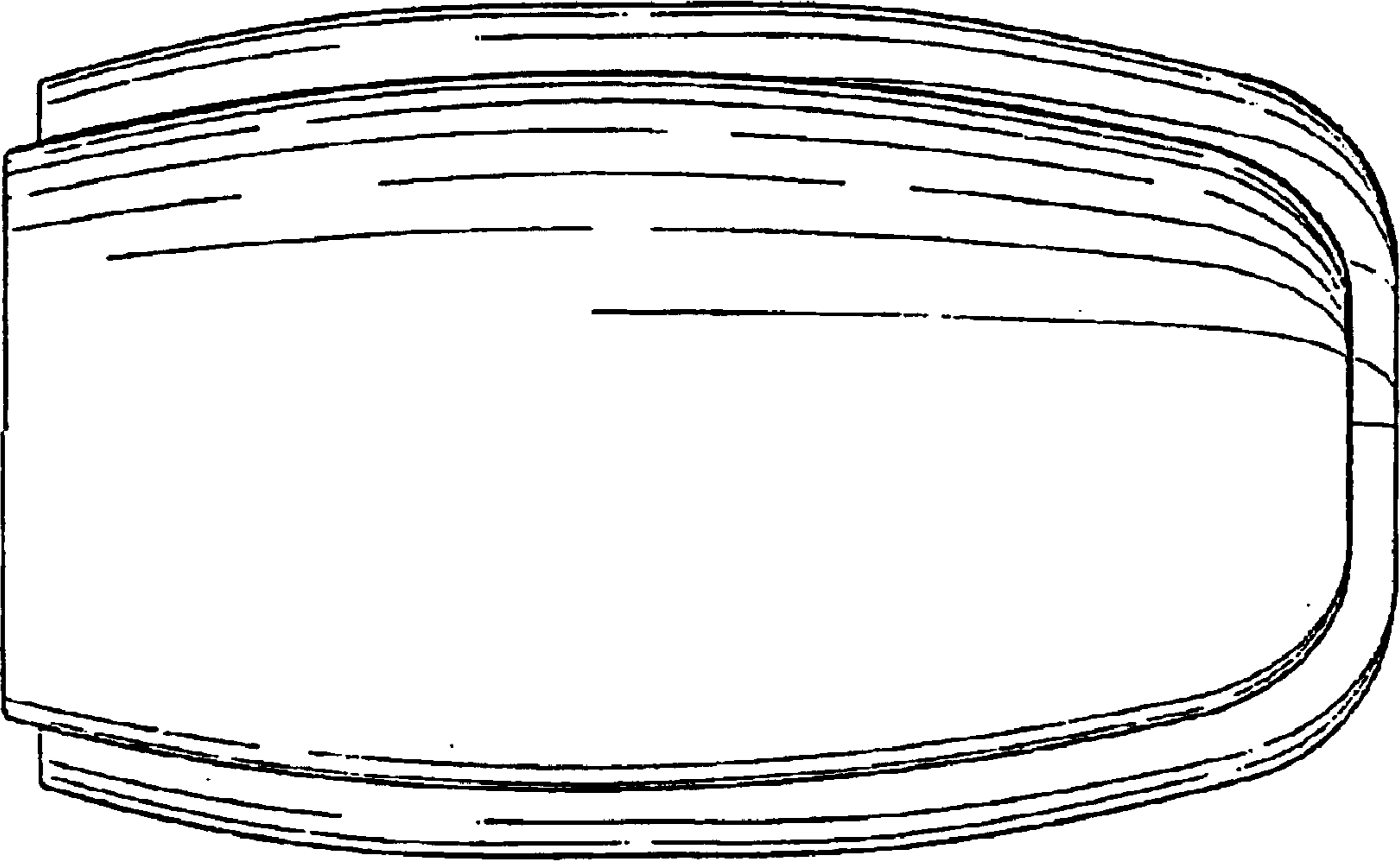
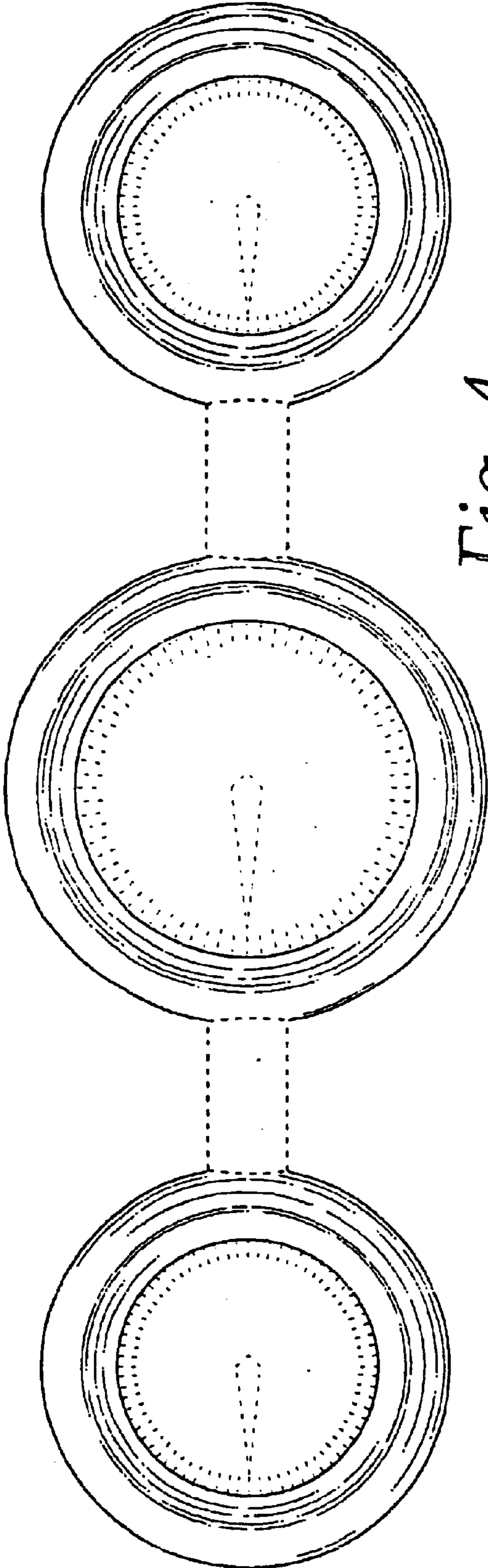
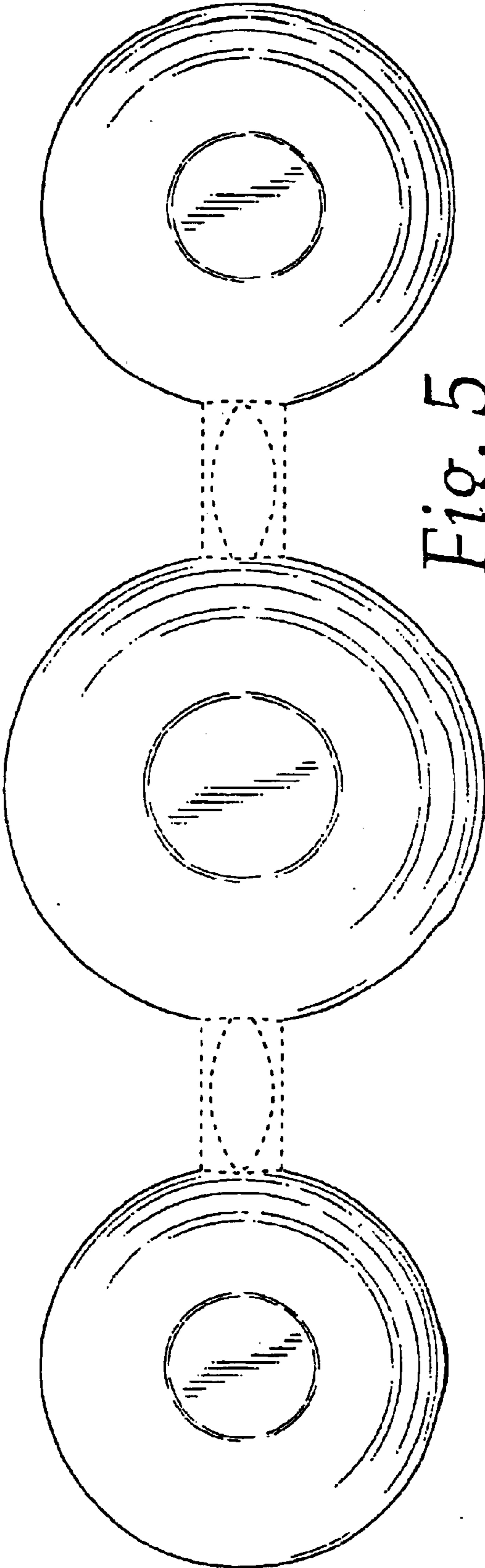


Fig. 3



*Fig. 4*



*Fig. 5*