

US00D497845S1

(12) **United States Design Patent** (10) **Patent No.:** **US D497,845 S**
Twigg (45) **Date of Patent:** **** Nov. 2, 2004**

(54) **COLLAPSIBLE WALKER**

6,003,532 A 12/1999 Pi
 D420,624 S * 2/2000 Gonzalez D12/130
 D474,133 S * 5/2003 Cerelli D12/130

(76) Inventor: **John D. Twigg**, 64 LaVale Ct., LaVale, MD (US) 21502

* cited by examiner

(**) Term: **14 Years**

Primary Examiner—Marcus A. Jackson

(21) Appl. No.: **29/194,832**

(57) **CLAIM**

(22) Filed: **Dec. 3, 2003**

The ornamental design for a collapsible walker, as shown and described.

(51) **LOC (7) Cl.** **12-99**

(52) **U.S. Cl.** **D12/130**

(58) **Field of Search** D12/128–133;
135/66, 67, 72, 74; 297/5, 6; 280/47.3,
87.051, 755

DESCRIPTION

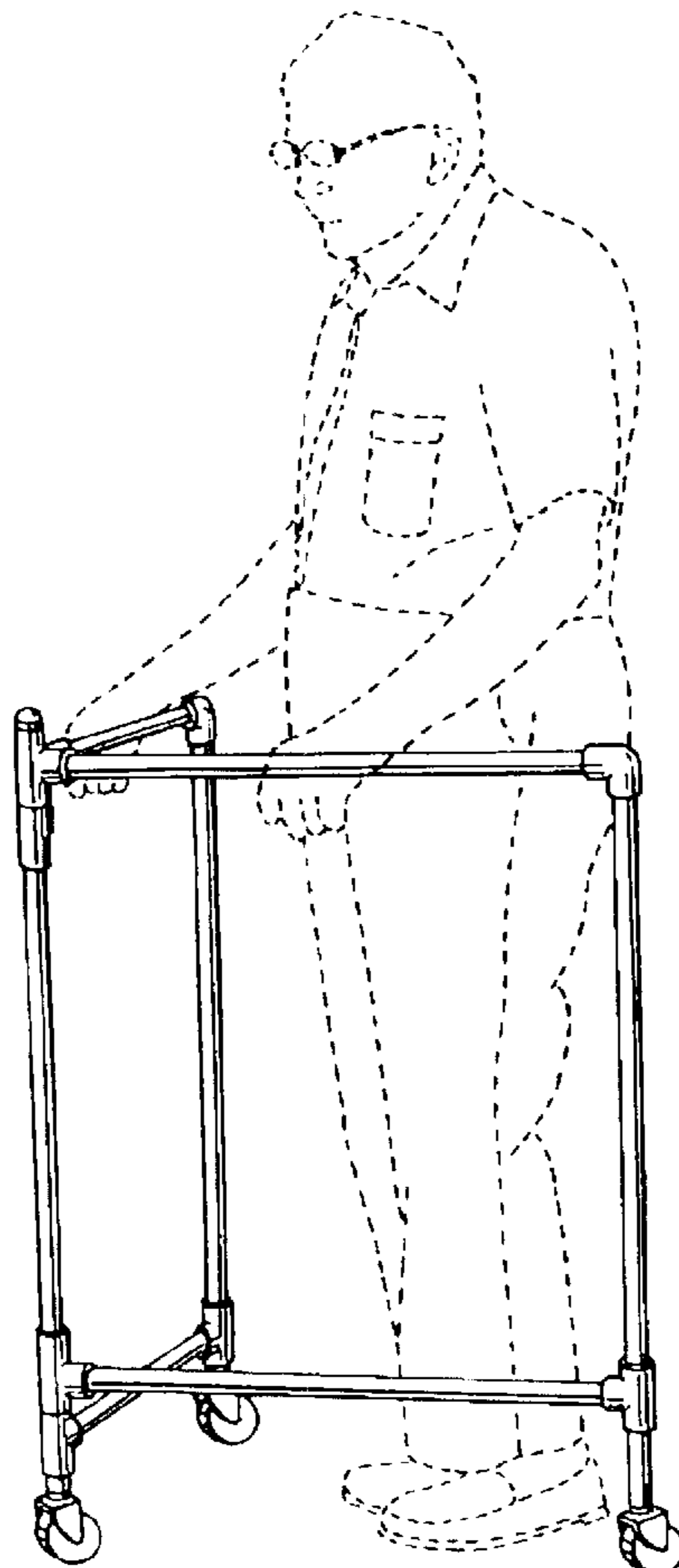
FIG. 1 is a top view of a collapsible walker showing my new design;
 FIG. 2 is a bottom view thereof;
 FIG. 3 is a perspective view thereof;
 FIG. 4 is a front elevational view thereof;
 FIG. 5 is a left side elevational view thereof;
 FIG. 6 is a rear elevational view thereof; and,
 FIG. 7 is a right side elevational view thereof.
 The broken line showing of a user of the collapsible walker shown in FIG. 3 is for demonstrative purposes only and forms no part of the claimed design.

(56) **References Cited**

U.S. PATENT DOCUMENTS

127,948 A	6/1872	Bassett	
2,316,100 A	4/1943	Nelson	
2,594,051 A	4/1952	McFarland	
3,716,067 A	2/1973	Skoog	
3,999,778 A	12/1976	Markiel	
D389,545 S	* 1/1998	Gertler D12/130
D404,345 S	* 1/1999	Donets D12/130

1 Claim, 2 Drawing Sheets



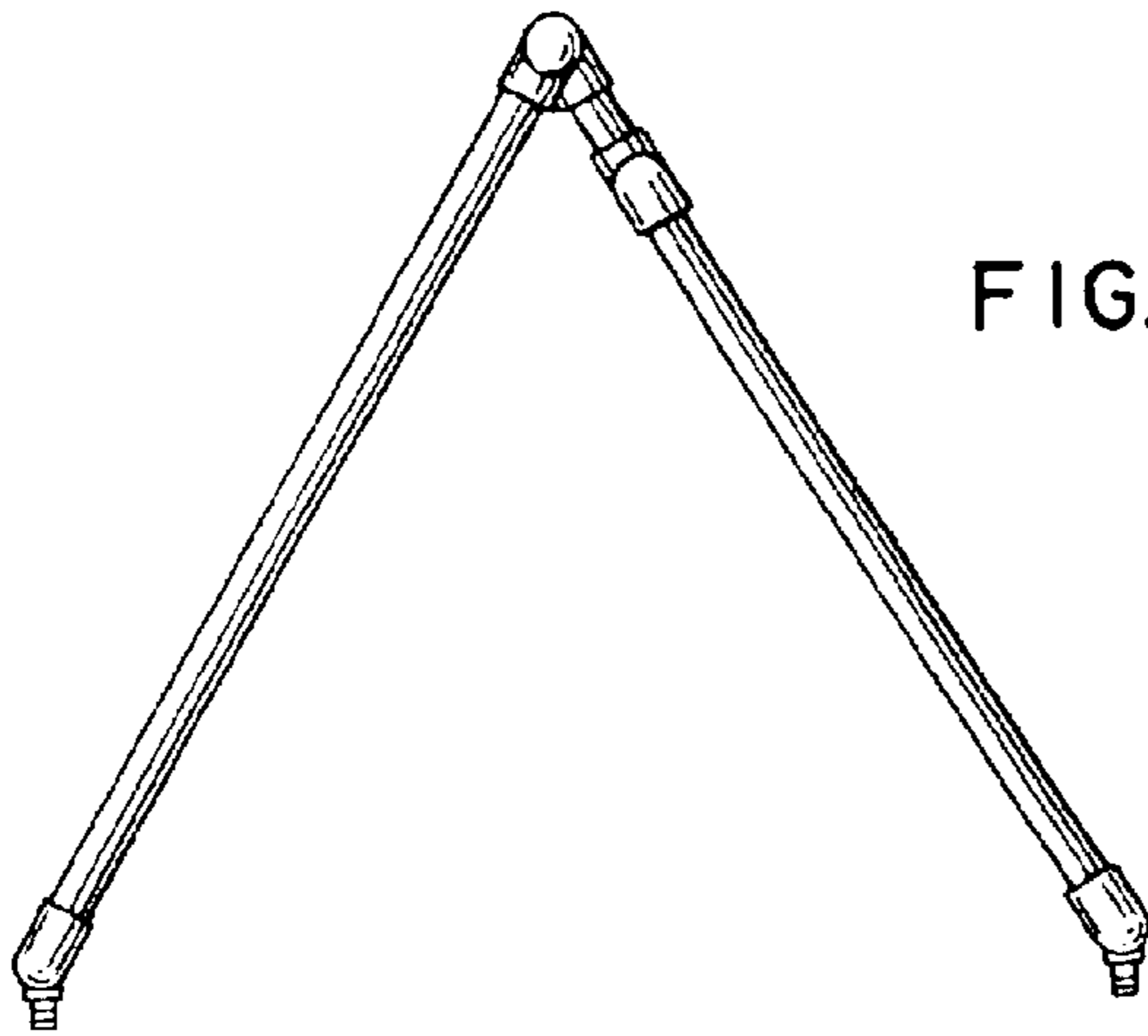


FIG. 1

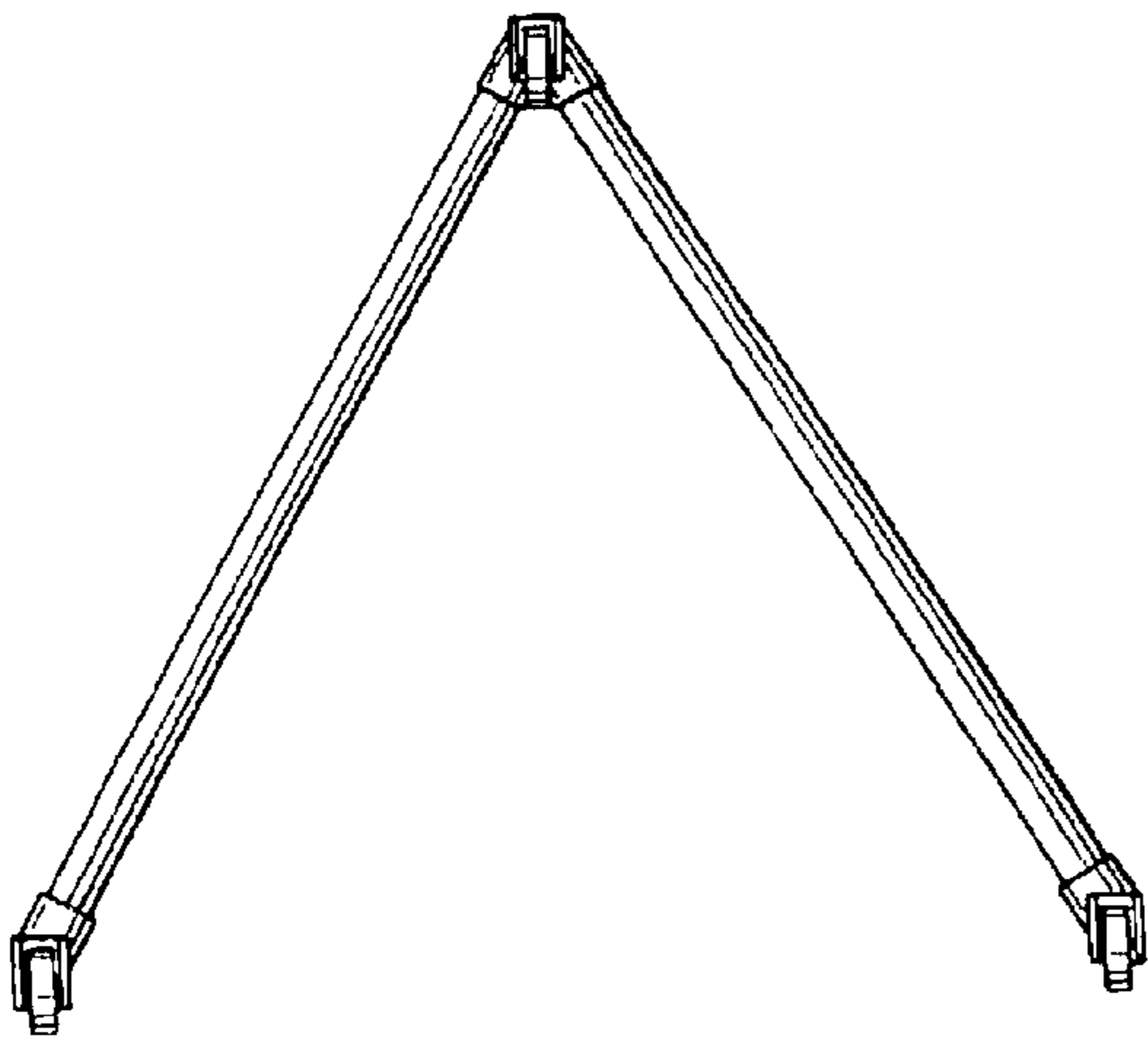


FIG. 2

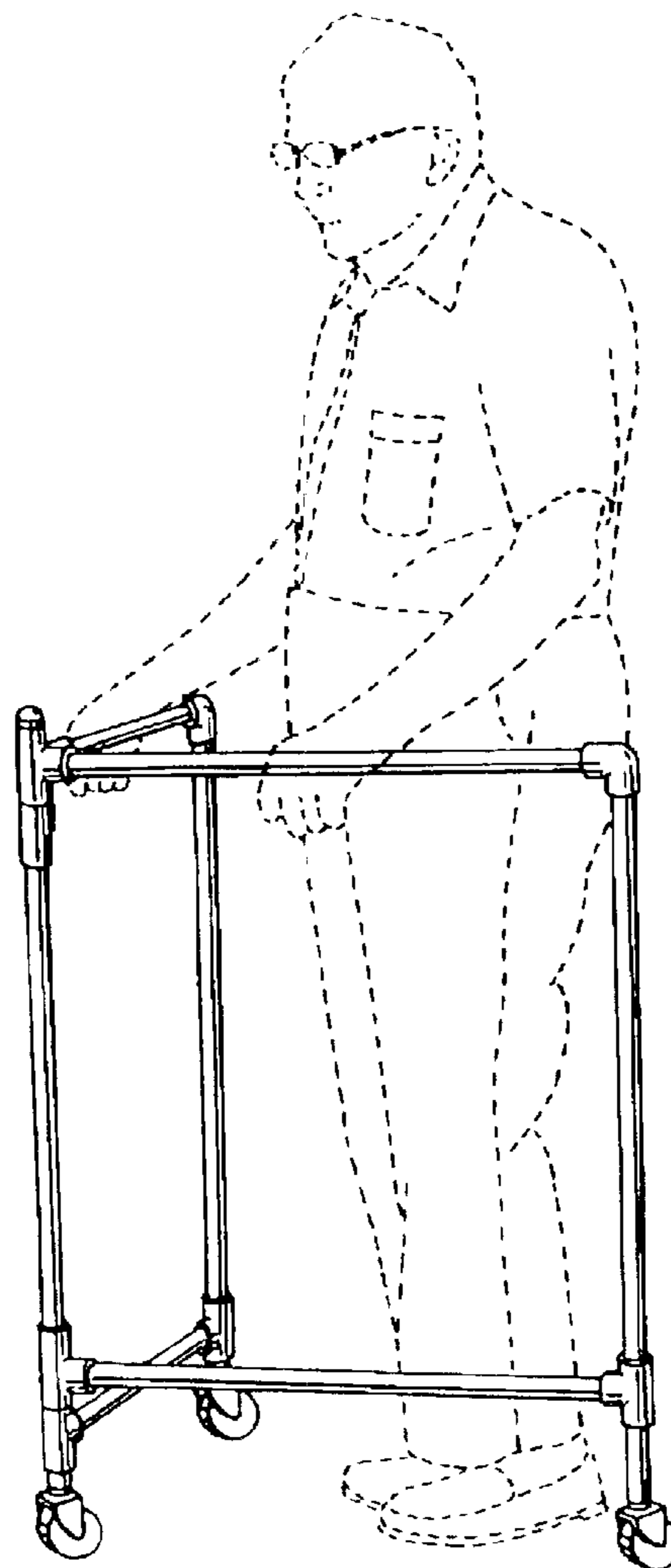


FIG. 3

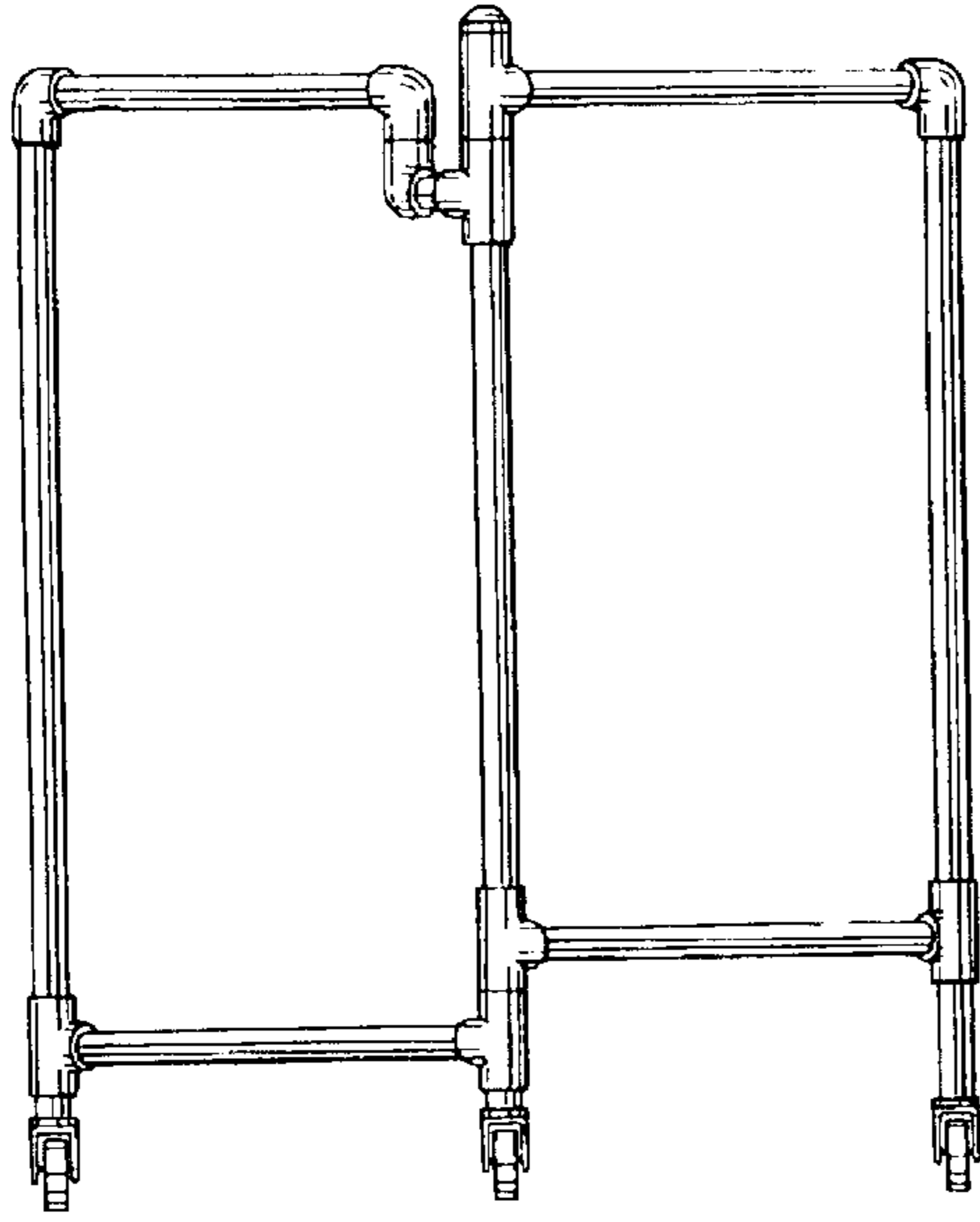


FIG. 4

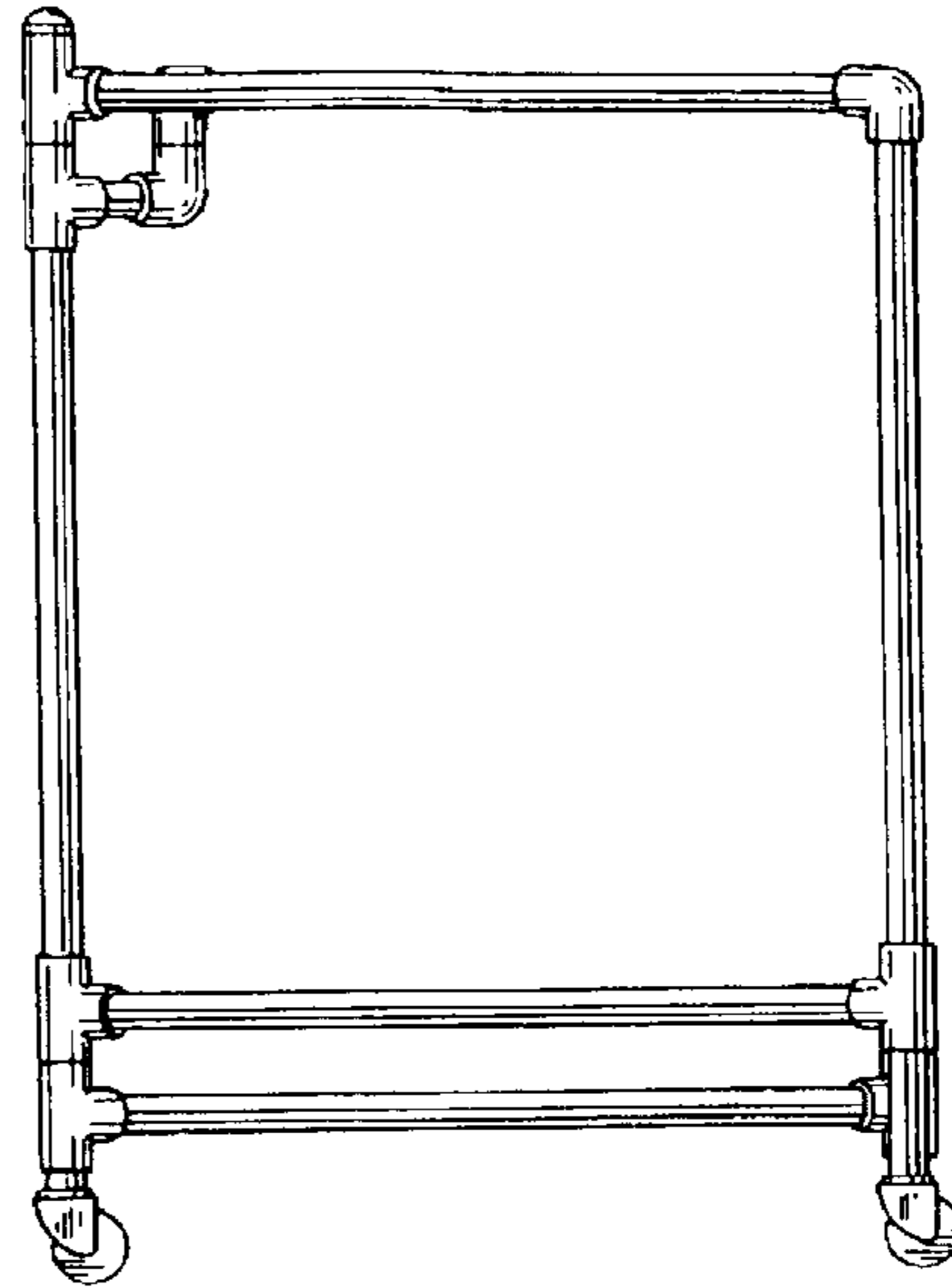


FIG. 5

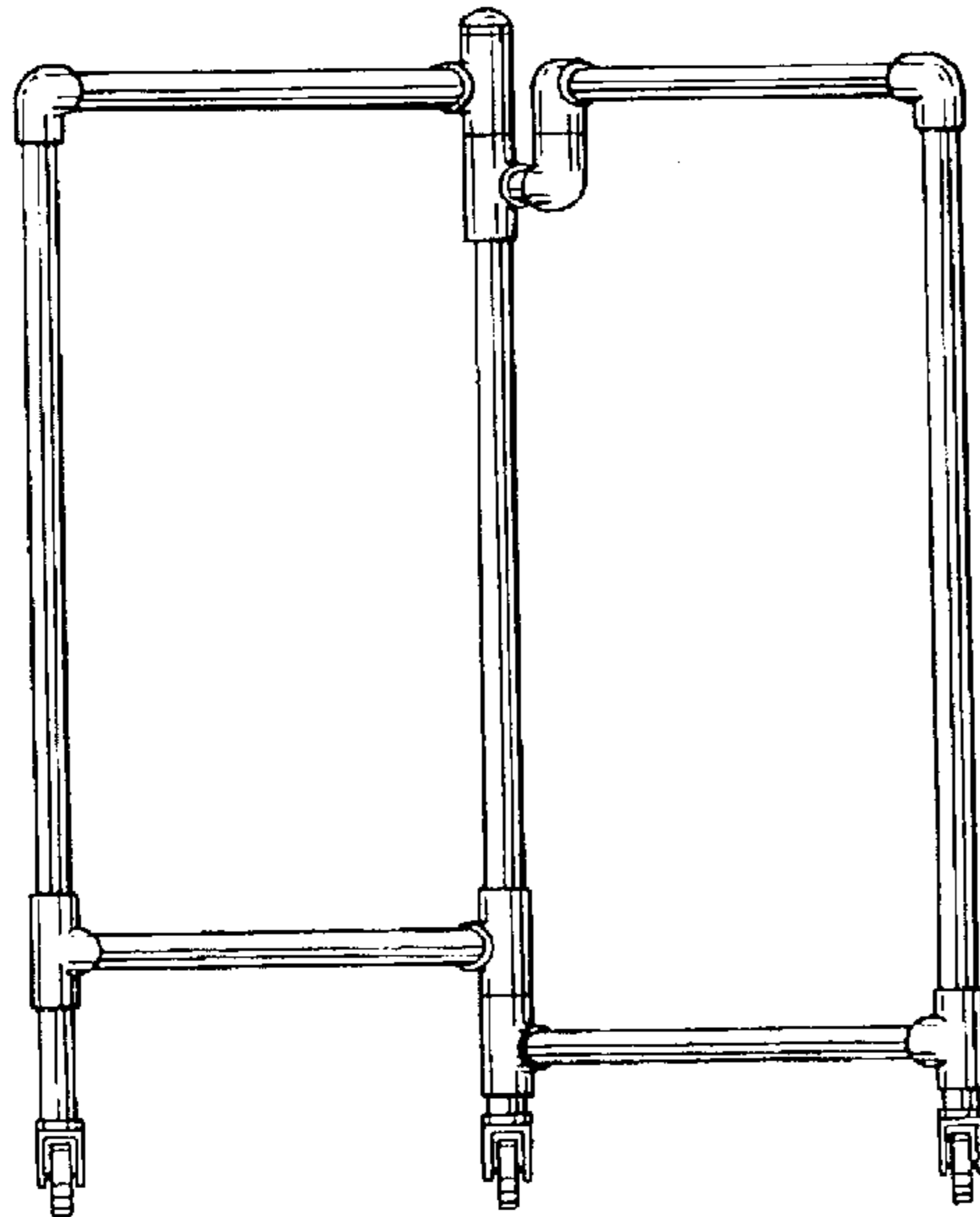


FIG. 6

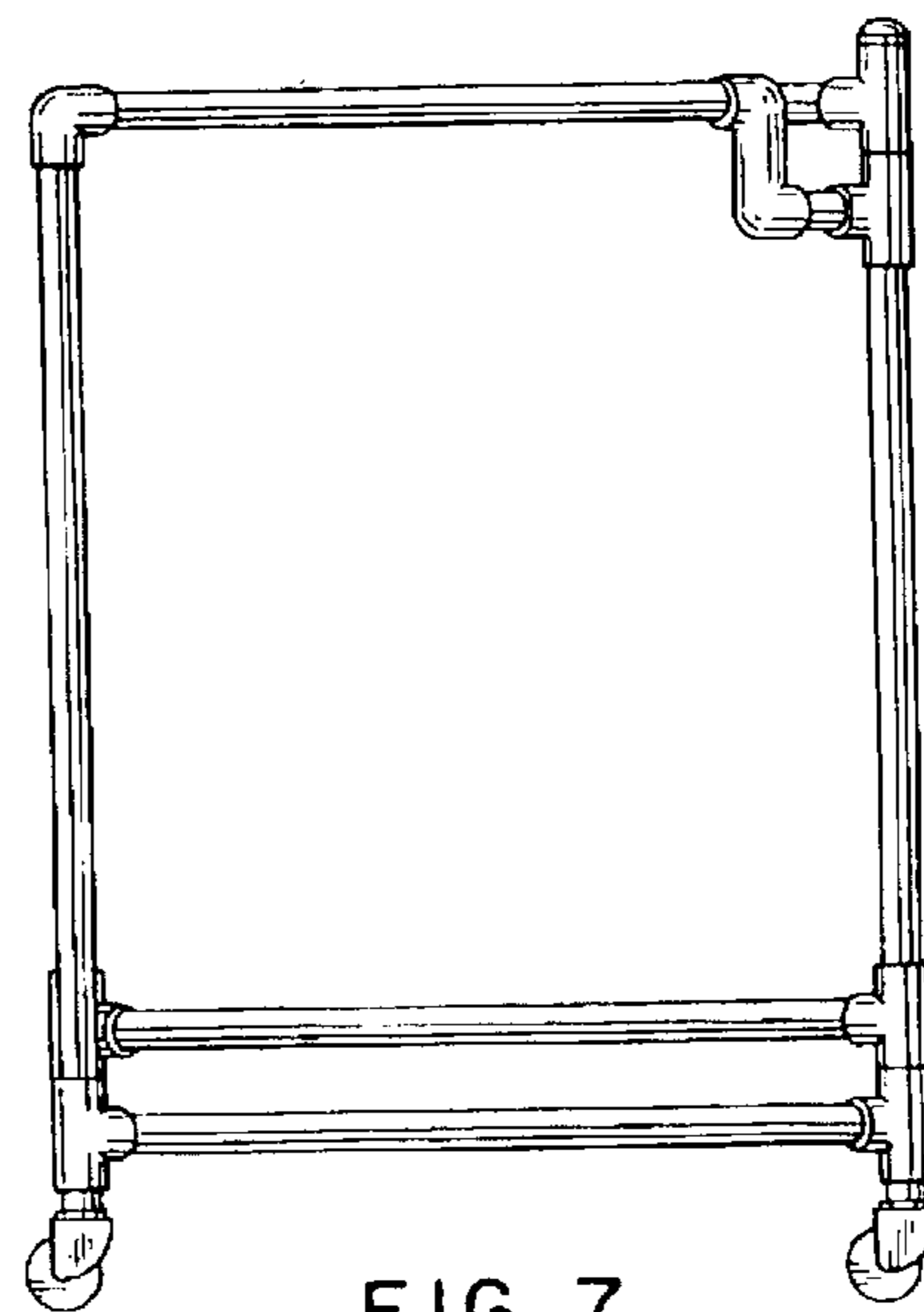


FIG. 7