

US00D497844S1

(12) **United States Design Patent**
Chou et al.

(10) **Patent No.: US D497,844 S**
(45) **Date of Patent: ** Nov. 2, 2004**

(54) **BABY TRAILER**

(75) Inventors: **Yu-Te Chou**, Chiayi County (TW);
Sen-Yung Jiang, Yunglin County (TW)

(73) Assignee: **Link Treasure Limited**, Tortola (VG)

(**) Term: **14 Years**

(21) Appl. No.: **29/203,820**

(22) Filed: **Apr. 20, 2004**

(30) **Foreign Application Priority Data**

Oct. 1, 2003 (TW) 92306017

(51) **LOC (7) Cl.** **12-99**

(52) **U.S. Cl.** **D12/129**

(58) **Field of Search** D12/128-133;
280/42, 62, 641, 642, 647, 648, 650, 657,
658

(56) **References Cited**

U.S. PATENT DOCUMENTS

D453,128 S * 1/2002 van den Heuvel D12/128

D475,951 S * 6/2003 Everett D12/129
D481,975 S * 11/2003 Prouty D12/129
D486,427 S * 2/2004 Garza D12/129

* cited by examiner

Primary Examiner—Marcus A. Jackson

(74) *Attorney, Agent, or Firm*—Alan D. Kamrath; Nikolai & Mersereau, P.A.

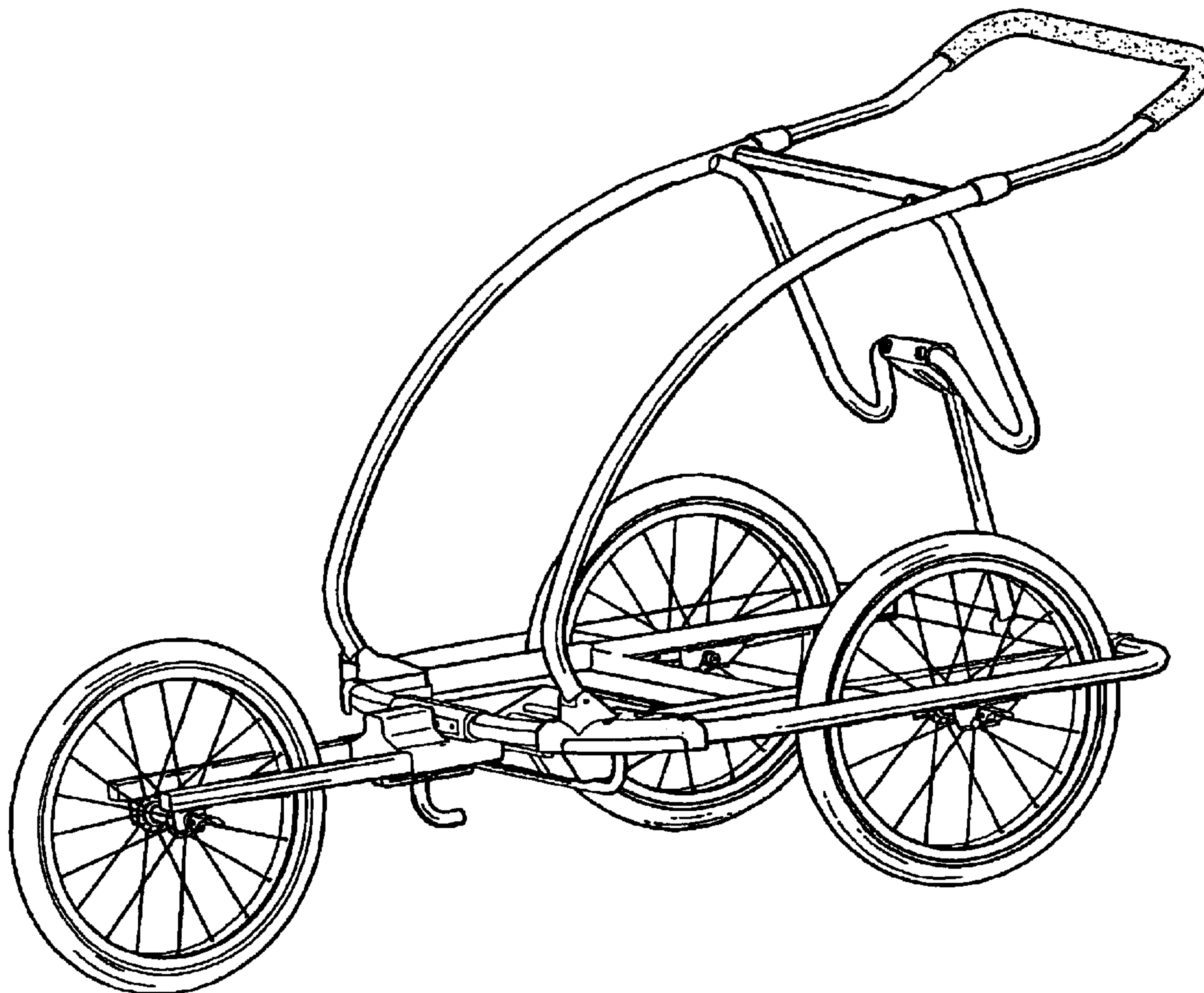
(57) **CLAIM**

The ornamental design for a baby trailer, as shown and described.

DESCRIPTION

FIG. 1 is a perspective view of a baby trailer showing our new design;
FIG. 2 is a front view thereof;
FIG. 3 is a rear view thereof;
FIG. 4 is a left side elevational view thereof;
FIG. 5 is a right side elevational view thereof;
FIG. 6 is a top view thereof; and,
FIG. 7 is a bottom view thereof.

1 Claim, 6 Drawing Sheets



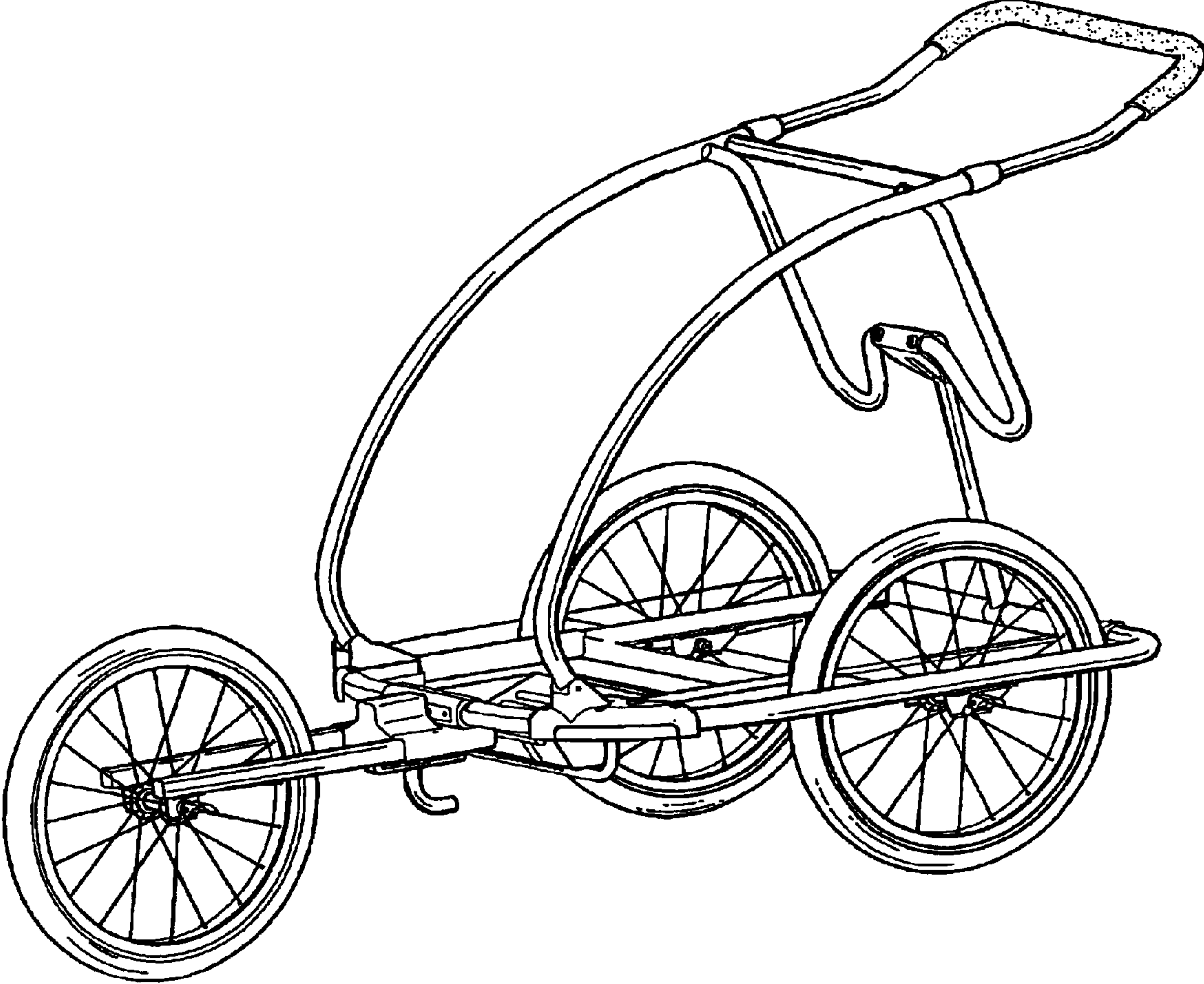


FIG. 1

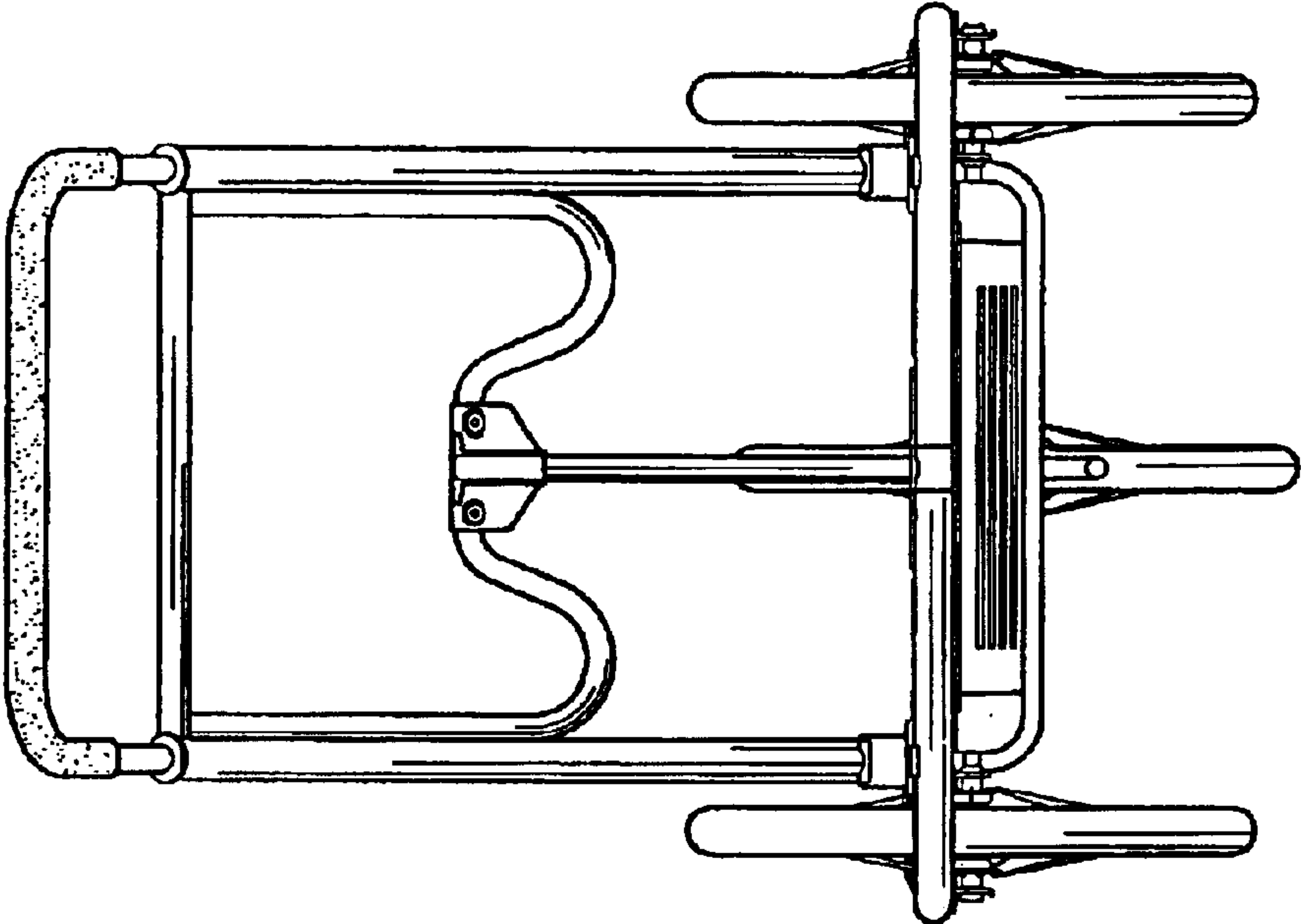


FIG. 3

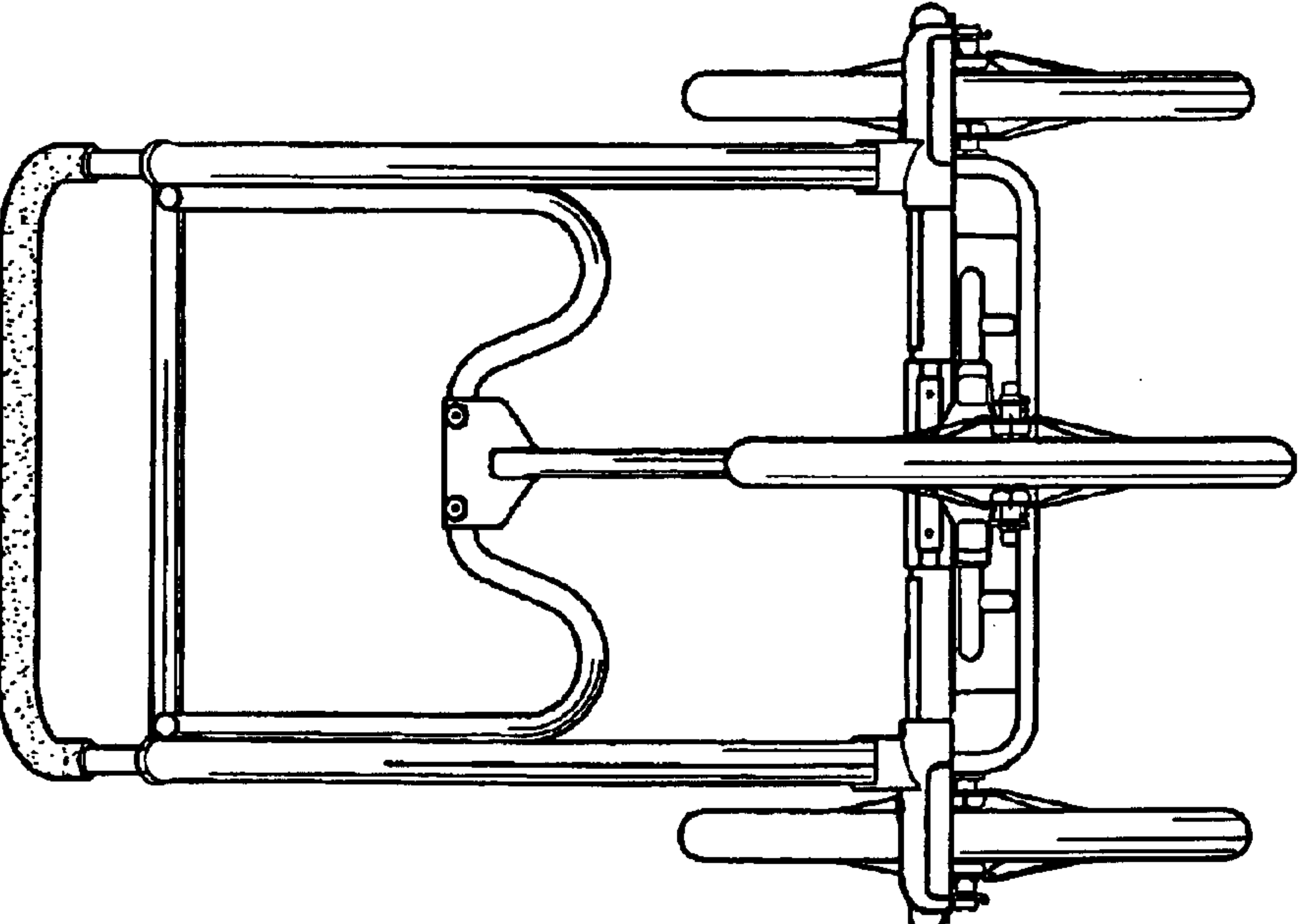


FIG. 2

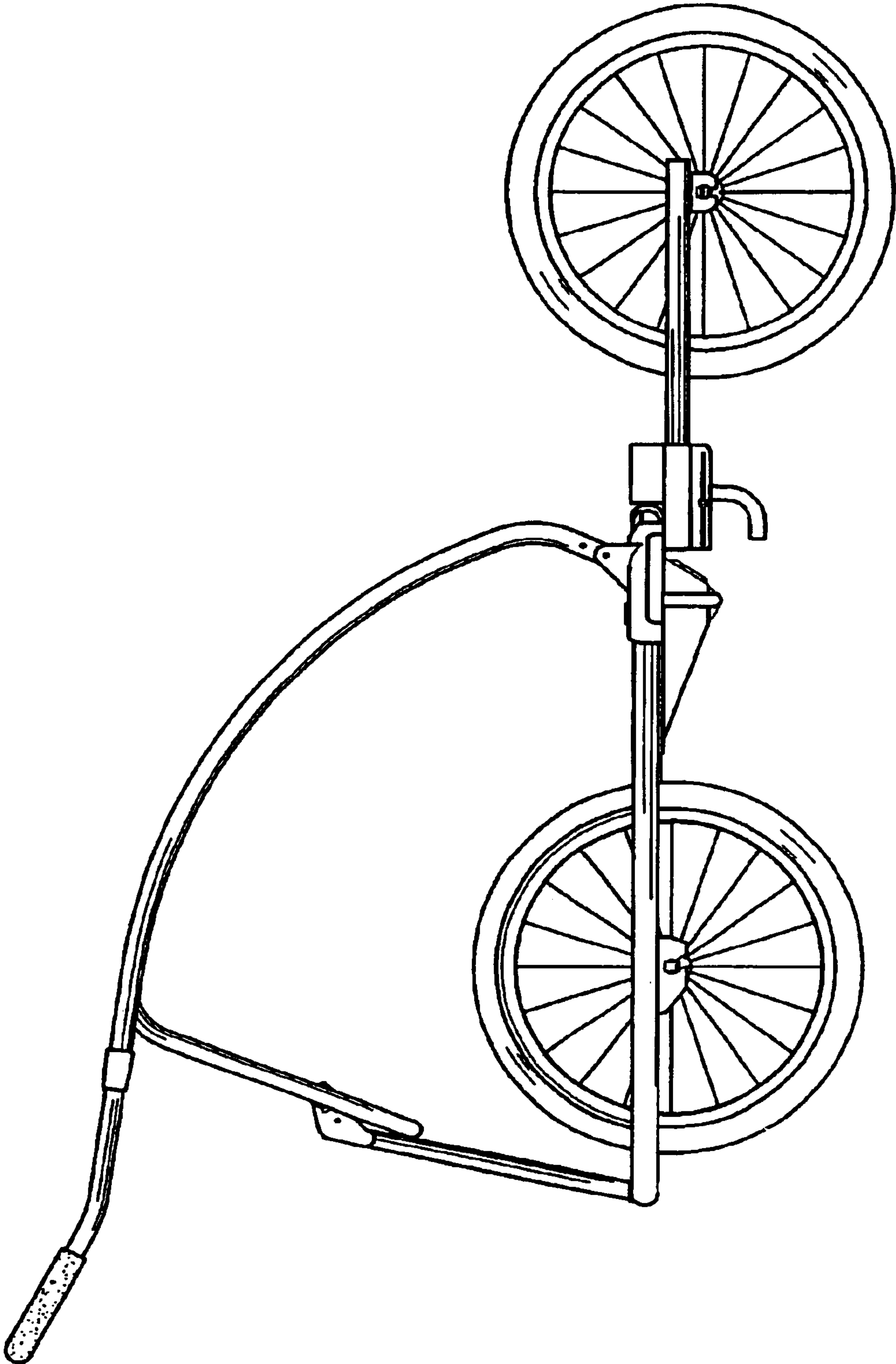


FIG. 4

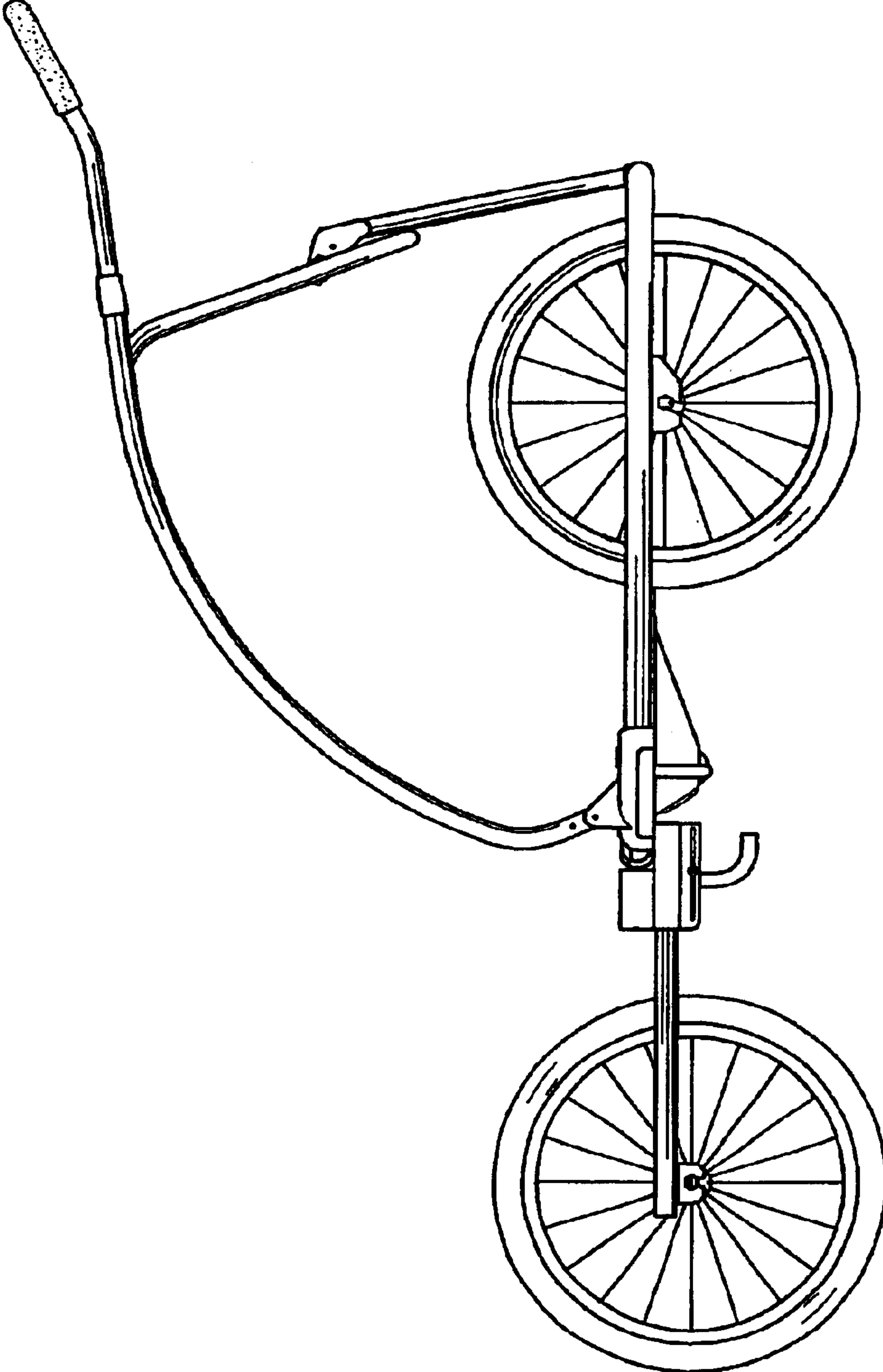


FIG. 5

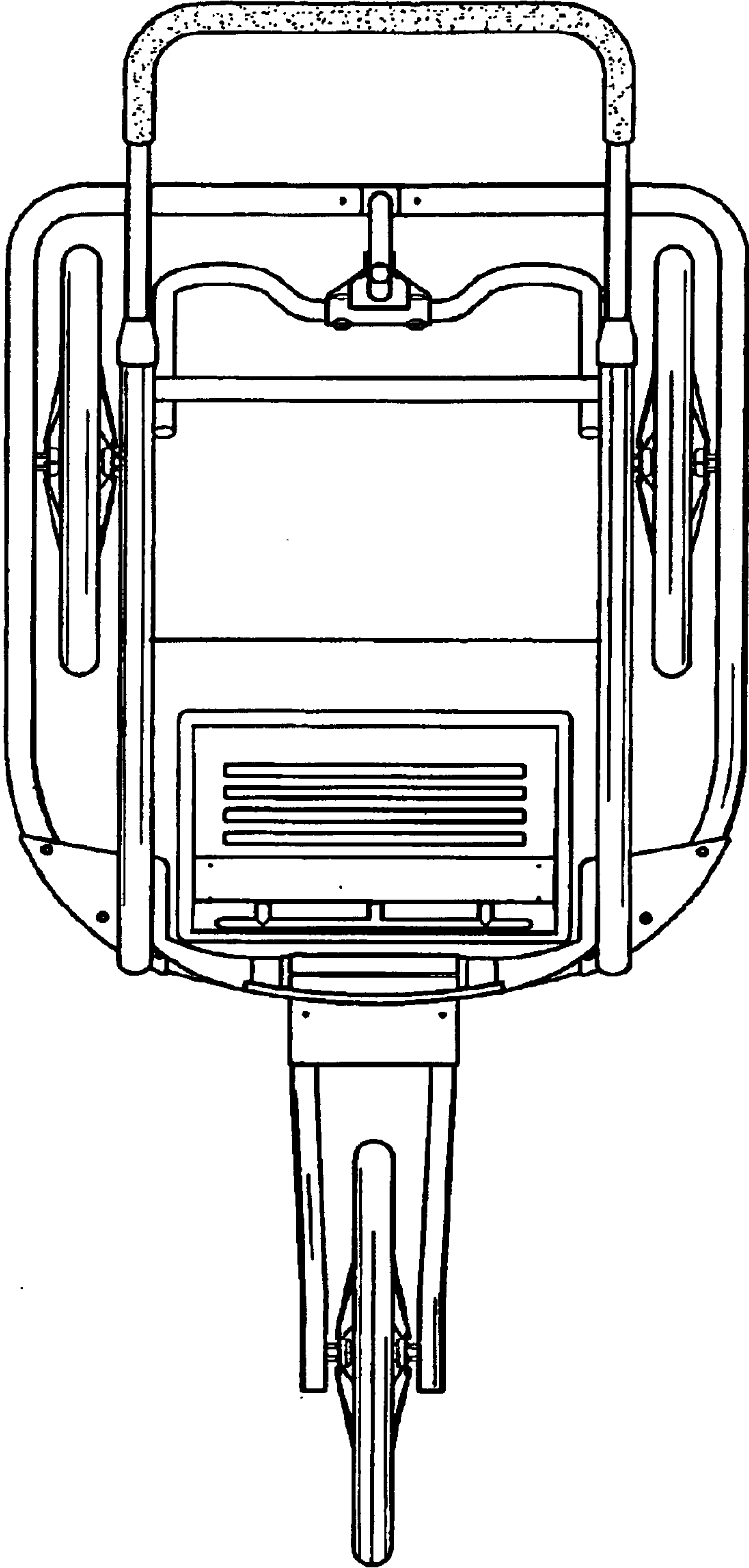


FIG. 6

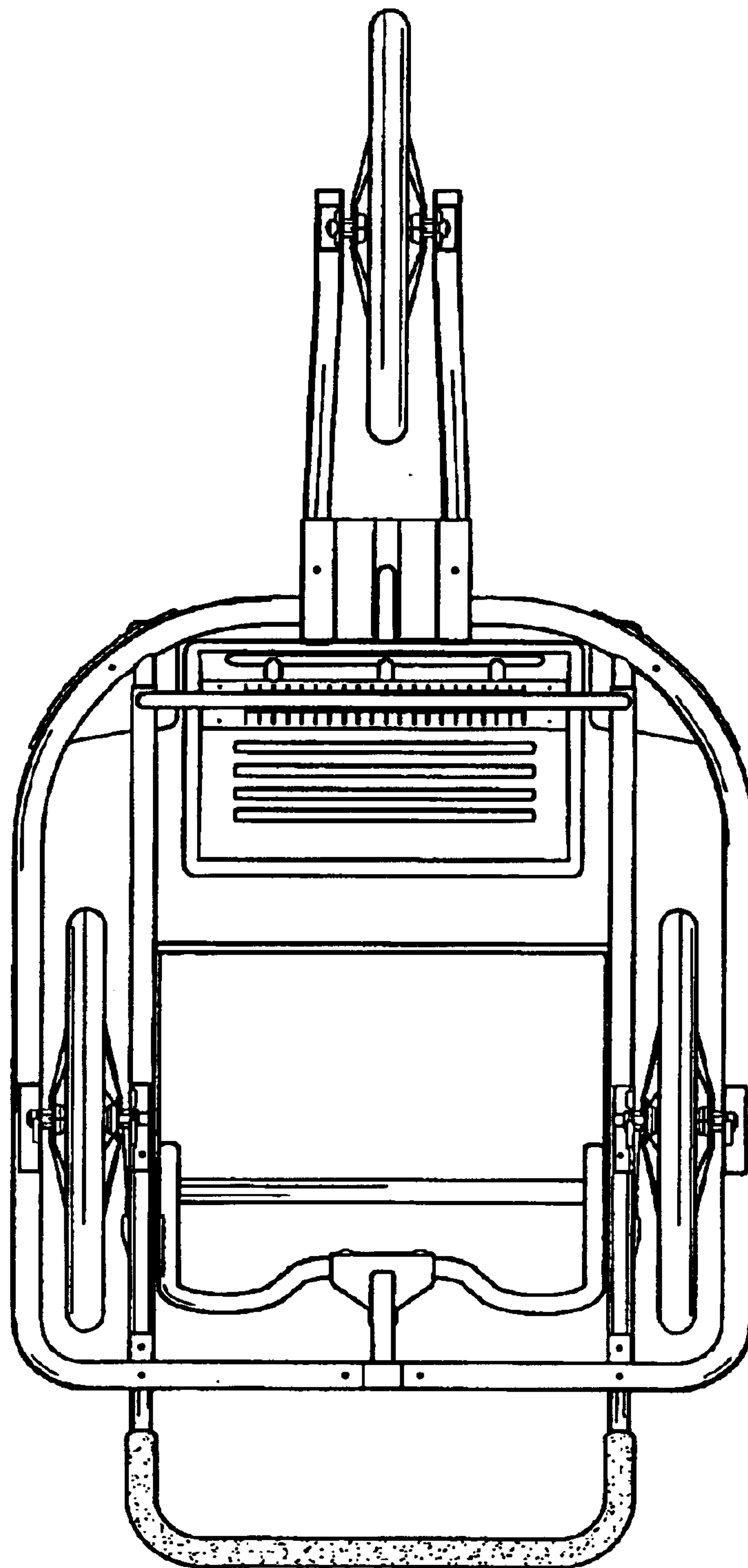


FIG. 7