



US00D497835S1

(12) **United States Design Patent** (10) **Patent No.:** **US D497,835 S**
Yoneoka et al. (45) **Date of Patent:** **** Nov. 2, 2004**

(54) **SLIDER BODY FOR SLIDE FASTENER**

(75) Inventors: **Morimasa Yoneoka**, Toyama-Ken (JP);
Keiichi Keyaki, Toyama-Ken (JP)

(73) Assignee: **YKK Corporation**, Tokyo (JP)

(**) Term: **14 Years**

(21) Appl. No.: **29/185,195**

(22) Filed: **Jun. 25, 2003**

(30) **Foreign Application Priority Data**

Dec. 26, 2002 (JP) 2002-036021

(51) **LOC (7) Cl.** **02-07**

(52) **U.S. Cl.** **D11/221**

(58) **Field of Search** D11/200, 201,
D11/221; 24/415-417, 418, 419, 421, 427-431,
381-382, 385, 387, 433; 384/64

(56) **References Cited**

U.S. PATENT DOCUMENTS

D380,988 S * 7/1997 Mizuno D11/221
D446,164 S * 8/2001 Yoneoka D11/221
6,532,633 B2 * 3/2003 Chu 24/429
D484,829 S * 1/2004 Yamamoto et al. D11/221

* cited by examiner

Primary Examiner—Ralf Seifert
(74) *Attorney, Agent, or Firm*—Finnegan, Henderson,
Farabow, Garrett & Dunner, L.L.P.

(57) **CLAIM**

The ornamental design for a slider body for slide fastener, as shown and described.

DESCRIPTION

FIG. 1 is a right-front perspective view of a slider body for slide fastener showing our new design;
FIG. 2 is a front-elevational view;
FIG. 3 is a rear-elevational;
FIG. 4 is a right-side elevational view, the left-side elevational view being a mirror image thereof;
FIG. 5 is a top-plan view;
FIG. 6 is a bottom-plan view;
FIG. 7 is a front-elevational view; and,
FIG. 8 is a right-side elevational view.

It being understood that the broken lines of hemispherical projections in FIGS. 1, 2 and 4-8, and the pull tabs in FIGS. 7 and 8 are for illustrative purposes only and form no part of the claimed design.

1 Claim, 2 Drawing Sheets

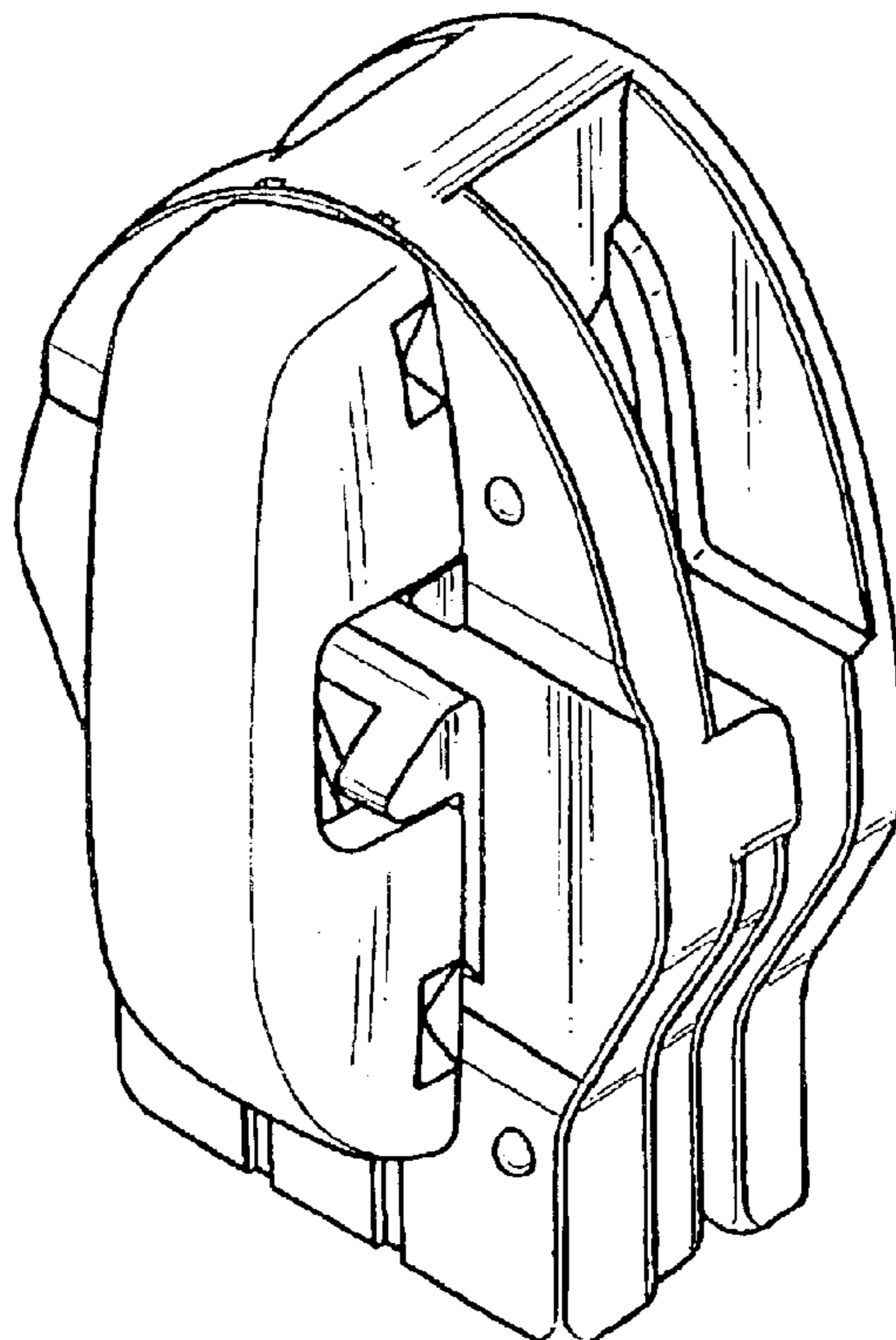


FIG. 1

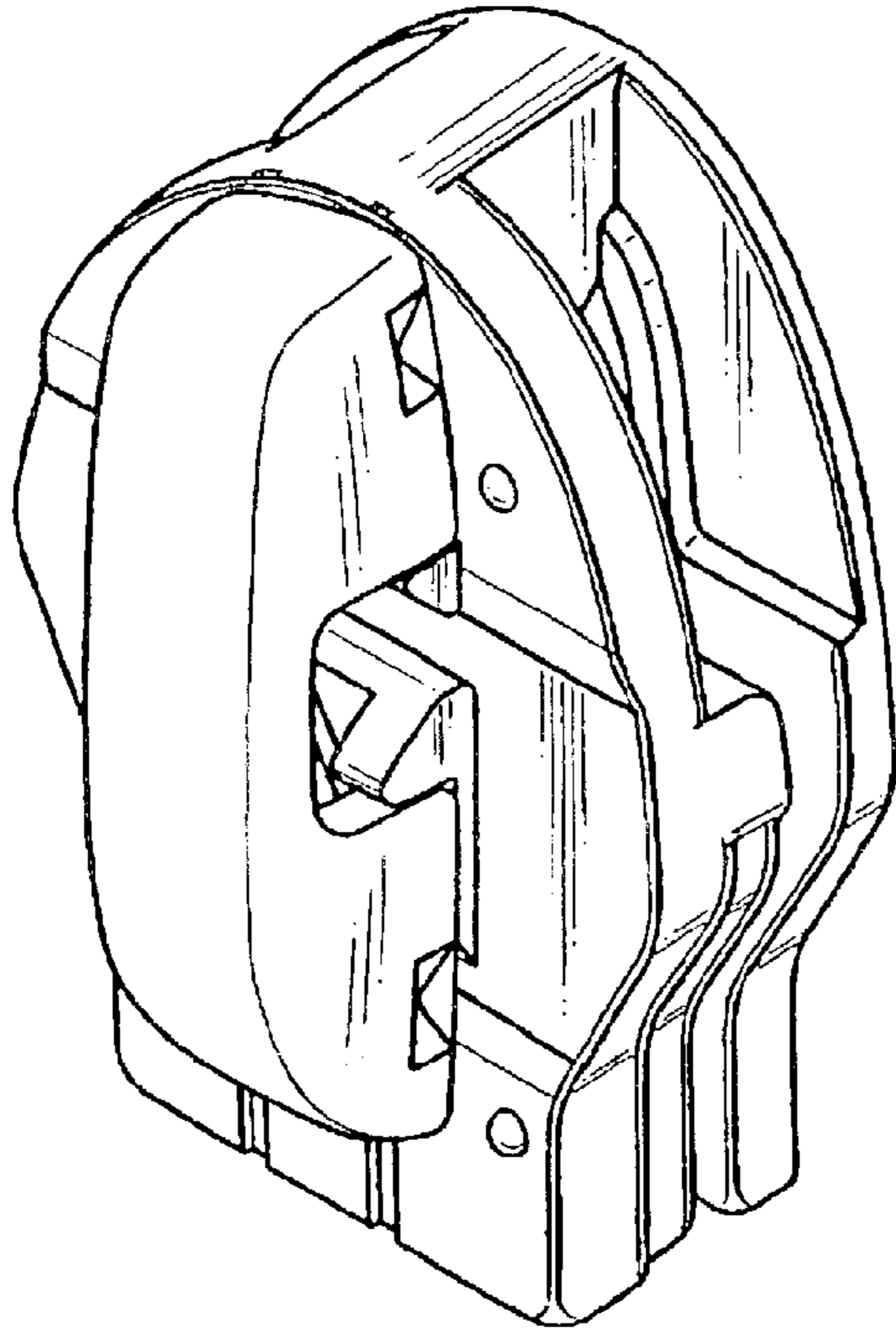


FIG. 2

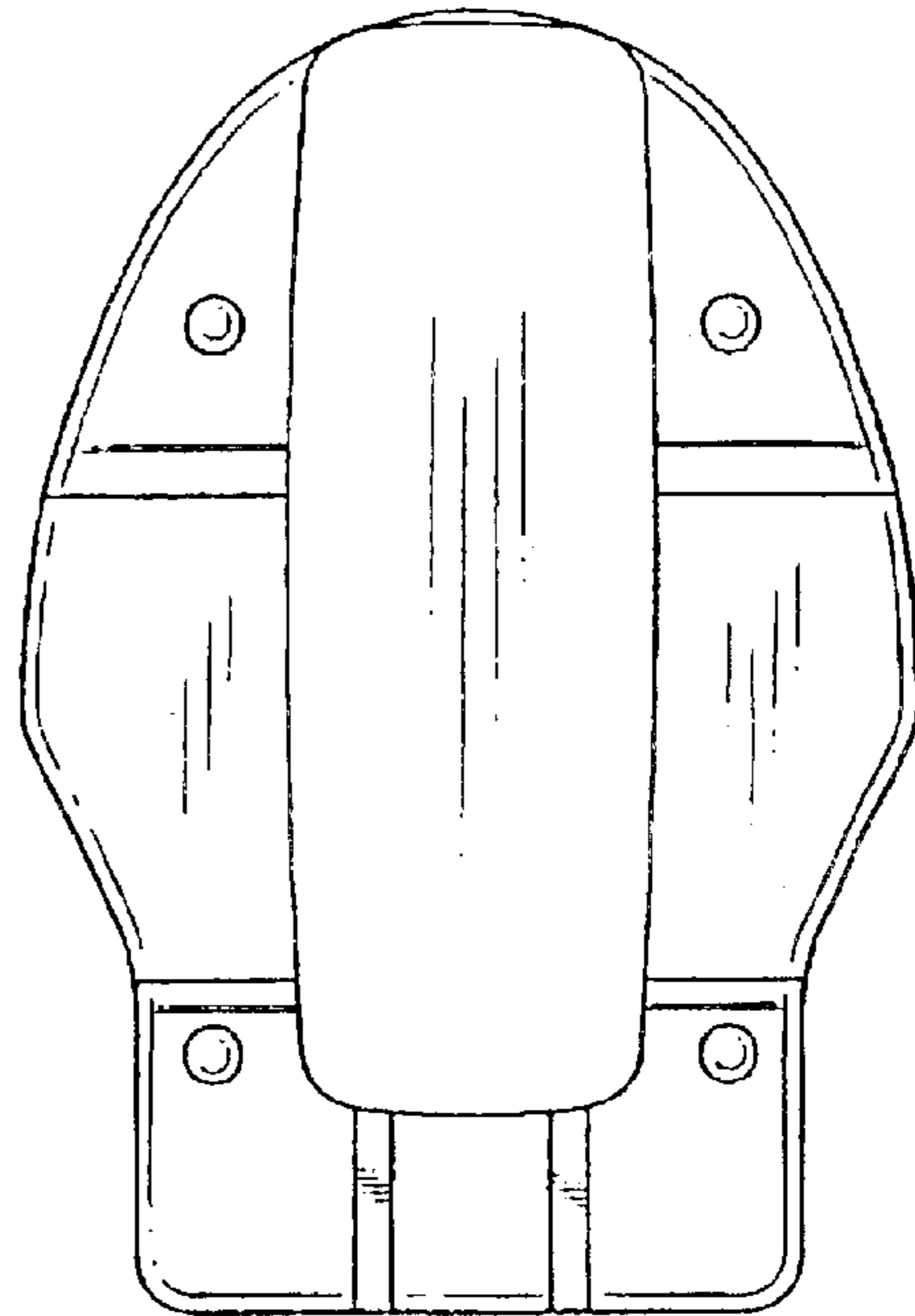


FIG. 3

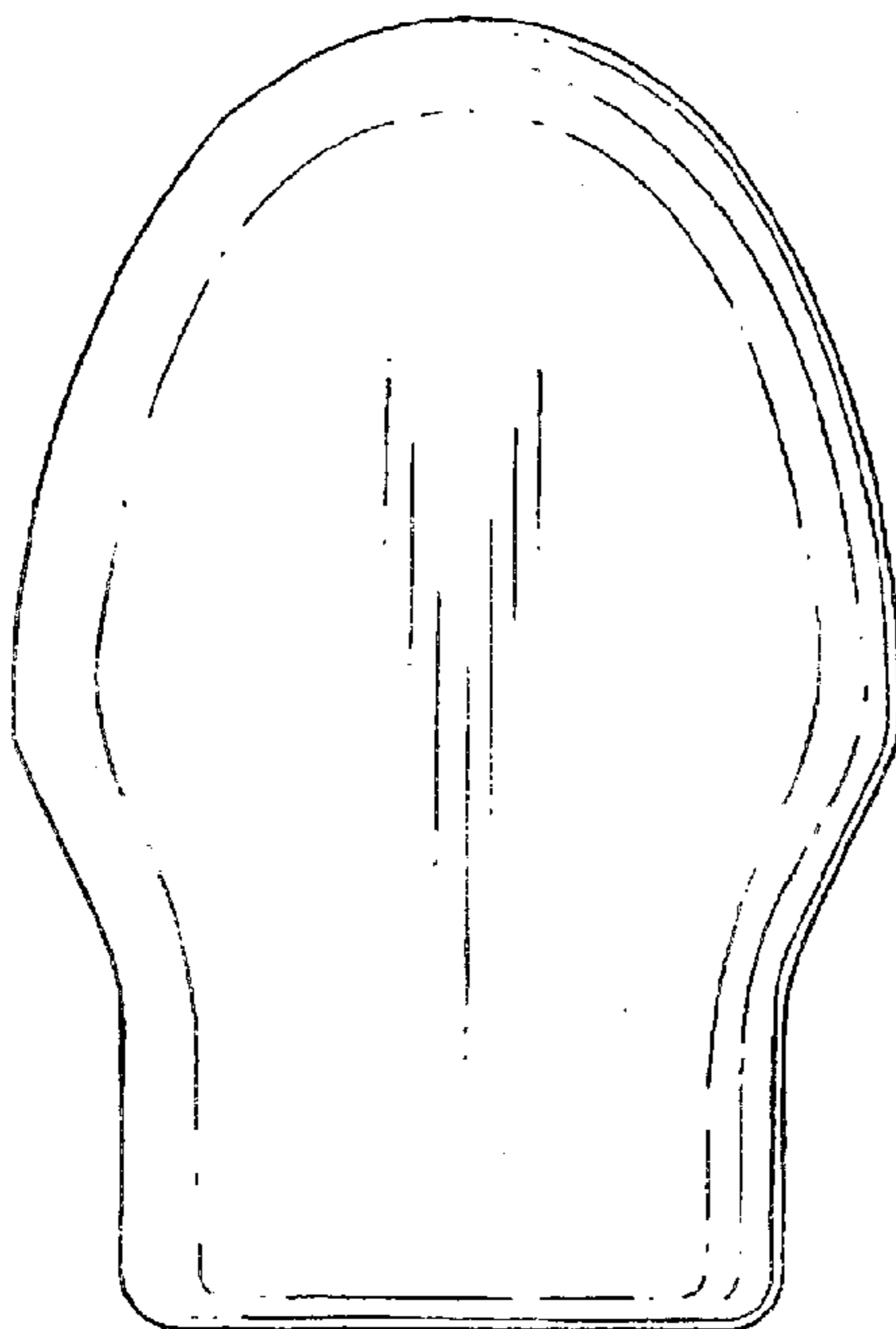


FIG. 4

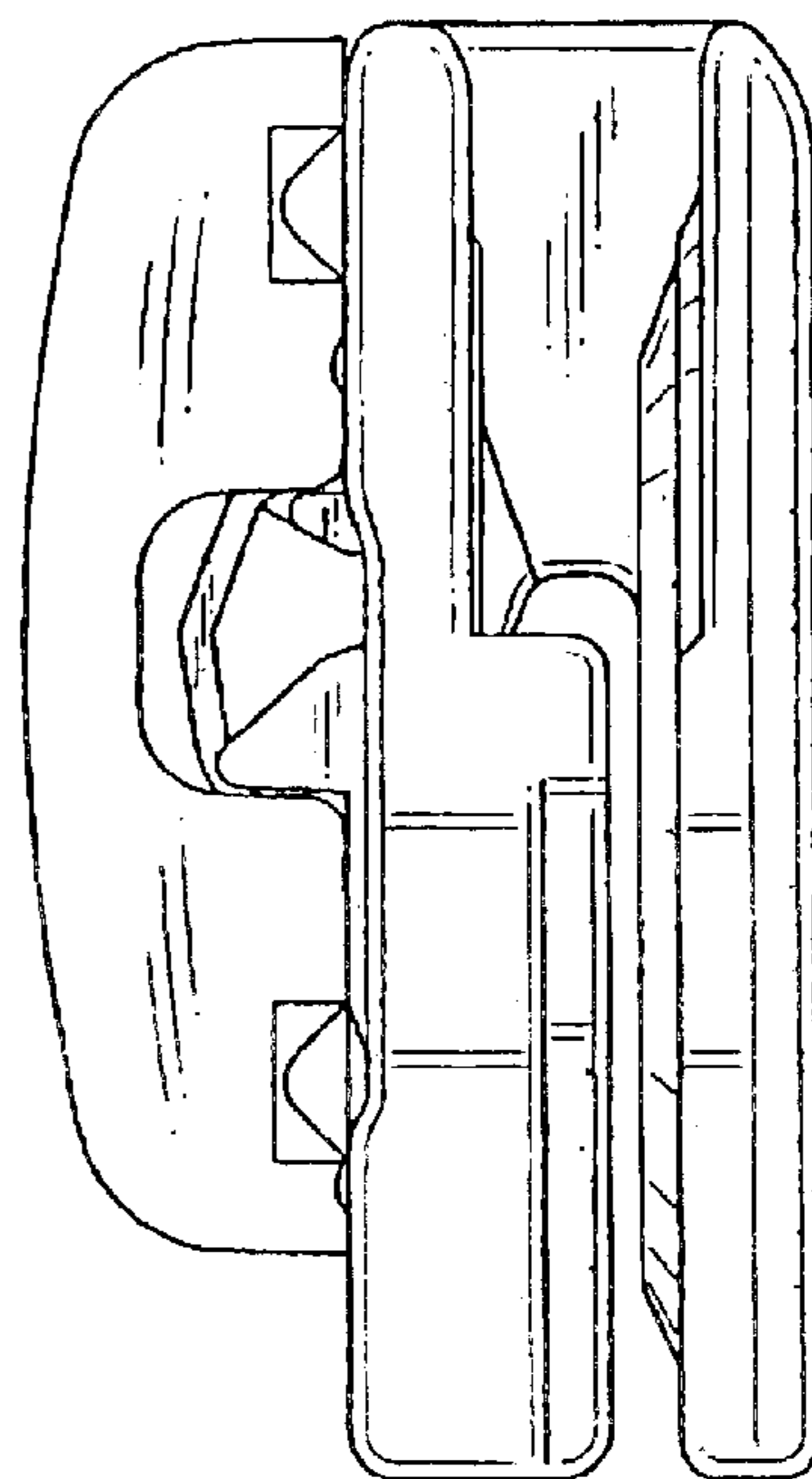


FIG. 5

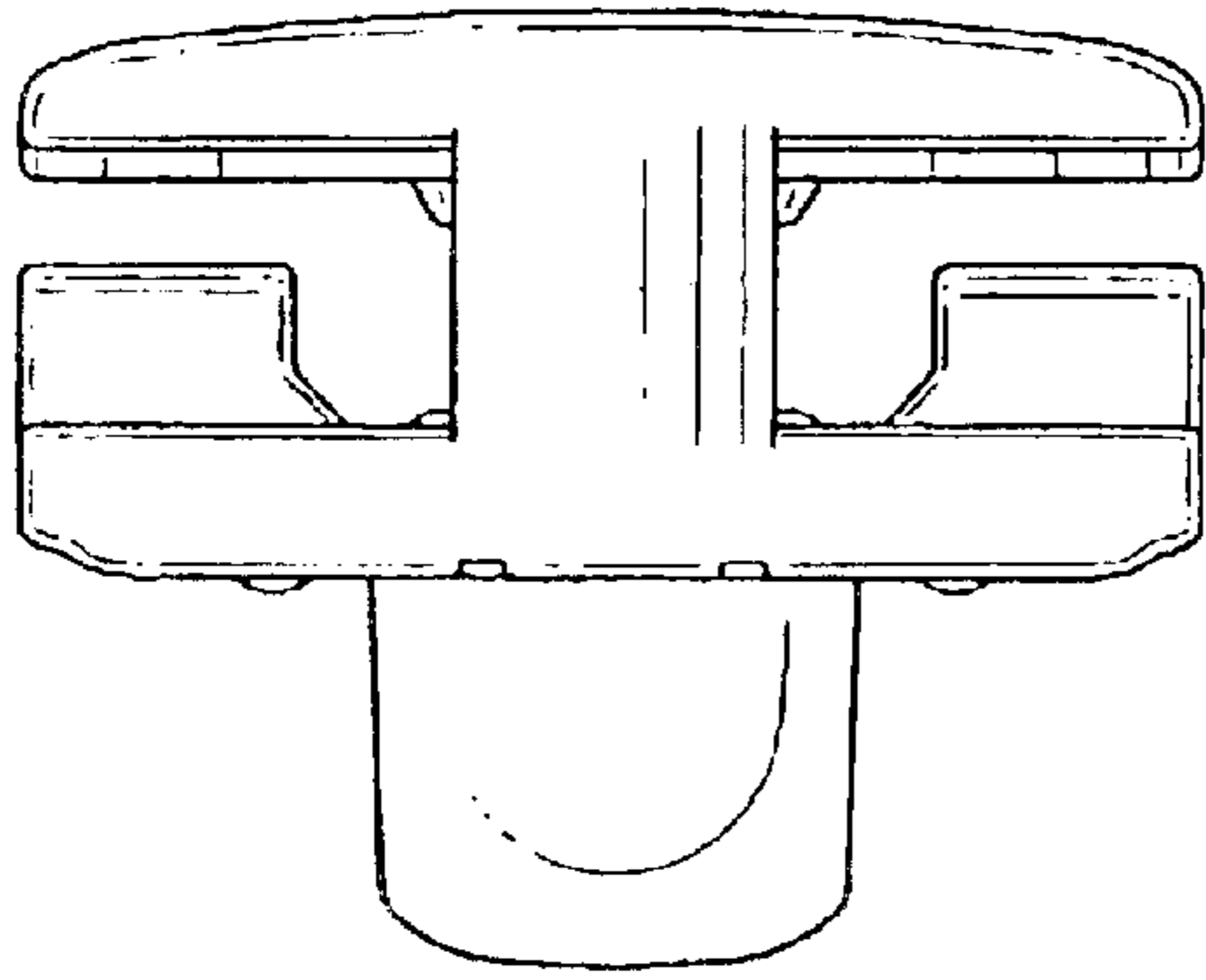


FIG. 6

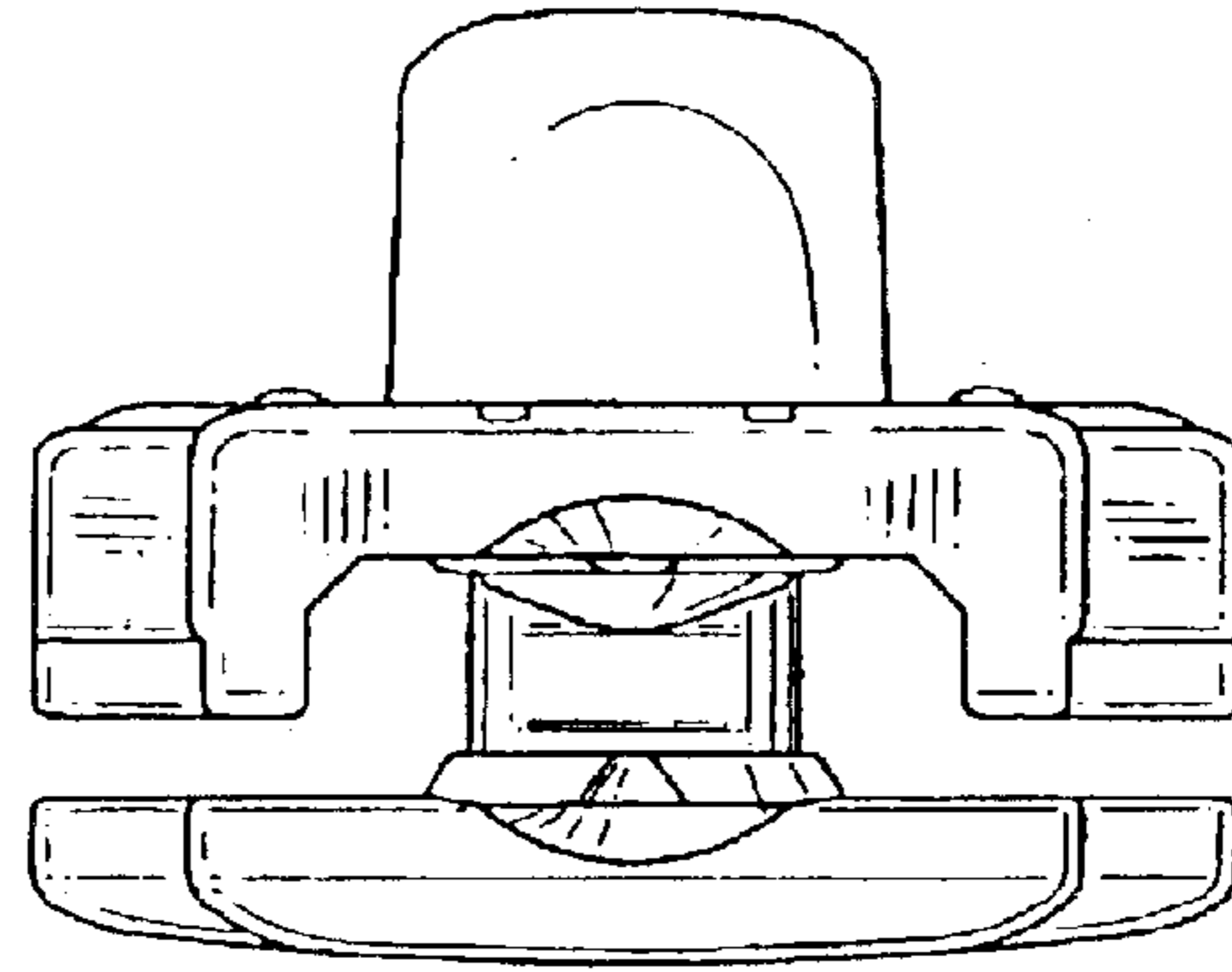


FIG. 7

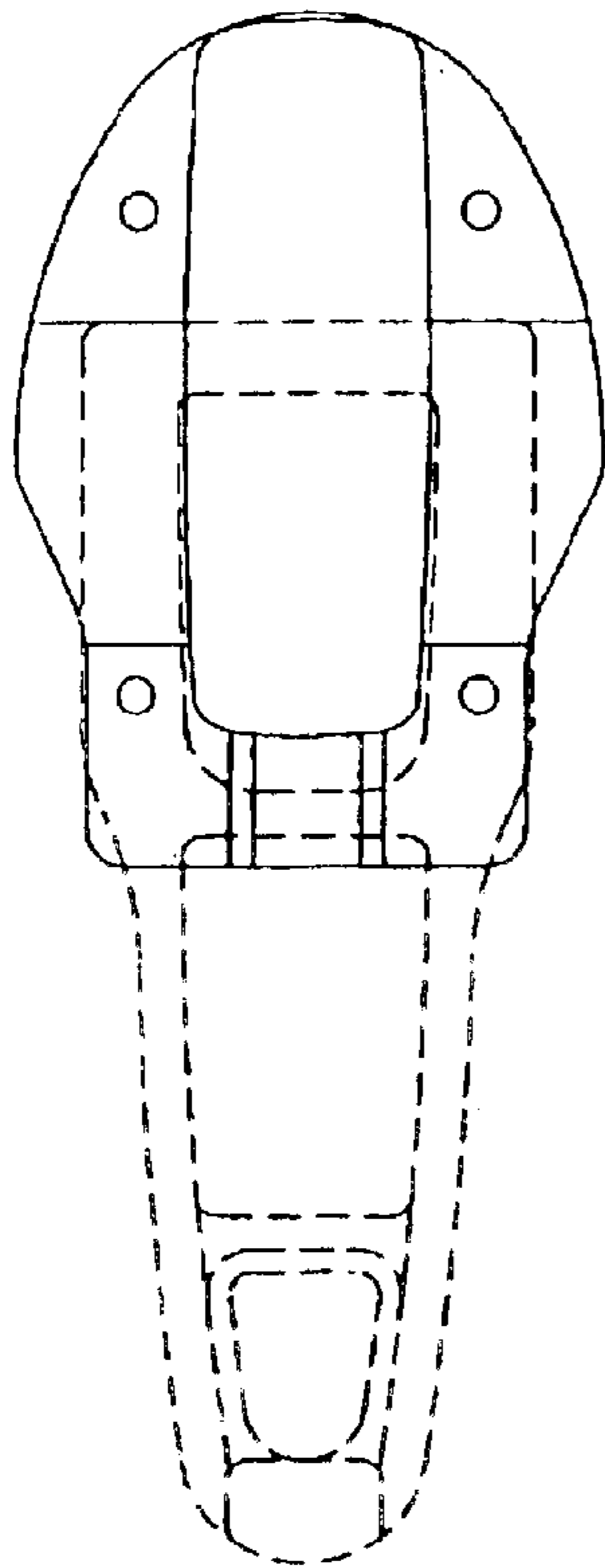


FIG. 8

