

US00D497834S1

(12) **United States Design Patent**
Kawamura

(10) **Patent No.:** **US D497,834 S**
(45) **Date of Patent:** **** Nov. 2, 2004**

(54) **BELT ADJUSTER**

D483,293 S * 12/2003 Kawamura D11/216

(75) Inventor: **Ryoji Kawamura**, Taipei (TW)

* cited by examiner

(73) Assignee: **YKK Corporation**, Tokyo (JP)

Primary Examiner—Ralf Seifert

(**) Term: **14 Years**

(74) *Attorney, Agent, or Firm*—Bell, Boyd & Lloyd LLC

(21) Appl. No.: **29/189,440**

(57) **CLAIM**

(22) Filed: **Sep. 5, 2003**

The ornamental design for a belt adjuster, as shown and described.

(30) **Foreign Application Priority Data**

DESCRIPTION

Mar. 7, 2003 (JP) 2003-005992

FIG. 1 is a front elevational view of a belt adjuster of the claimed design.

(51) **LOC (7) Cl.** **02-07**

FIG. 2 is a rear elevational view of the belt adjuster of FIG. 1.

(52) **U.S. Cl.** **D11/218**

(58) **Field of Search** D11/200, 201,
D11/208–210, 212–218, 220, 231–234,
237, 86–87, 94; 63/15.2, 15; 24/307, 625,
616, 200, 196, 171, 169, 112, 633, 615

FIG. 3 is a top plan view of the belt adjuster of FIG. 1, and the bottom plan view is a mirror image thereof.

FIG. 4 is a left side elevational view of the belt adjuster of FIG. 1.

(56) **References Cited**

U.S. PATENT DOCUMENTS

D64,374 S * 4/1924 Schaaff D11/218
D352,681 S * 11/1994 Fildan D11/218
D363,257 S * 10/1995 Anscher D11/218
D365,044 S * 12/1995 Anscher D11/218
D382,514 S * 8/1997 Hysek D11/218
D471,132 S * 3/2003 Murata D11/218

FIG. 5 is a cross-sectional view of the belt adjuster taken along the line 5—5 of FIG. 1.

FIG. 6 is a cross-sectional view of the belt adjuster taken along the line 6—6 of FIG. 1; and,

FIG. 7 is a perspective view of the belt adjuster of FIG. 1. It being understood that the broken lines are for illustrative purposes only and form no part of the claimed design.

1 Claim, 3 Drawing Sheets

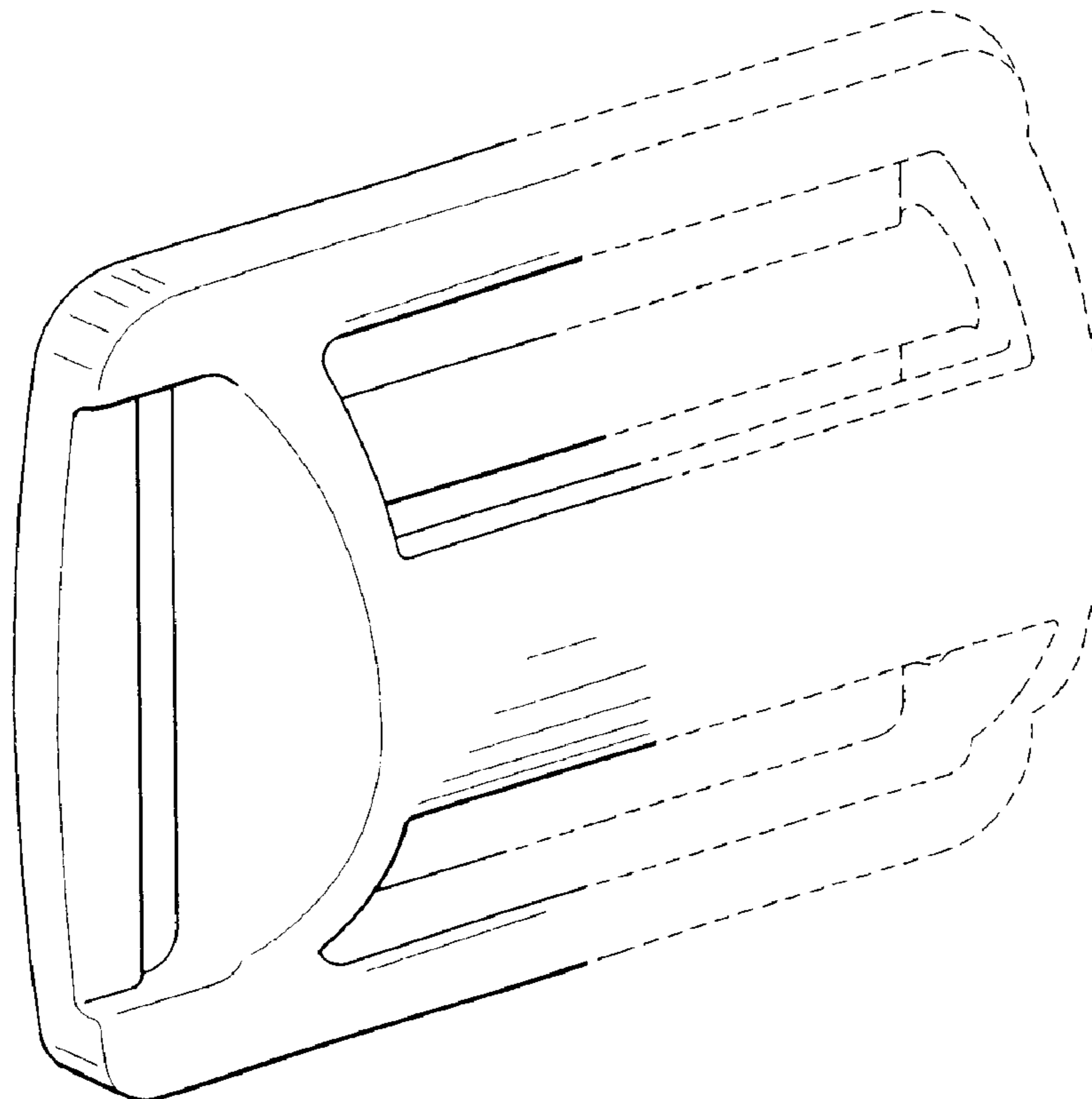


FIG. 1

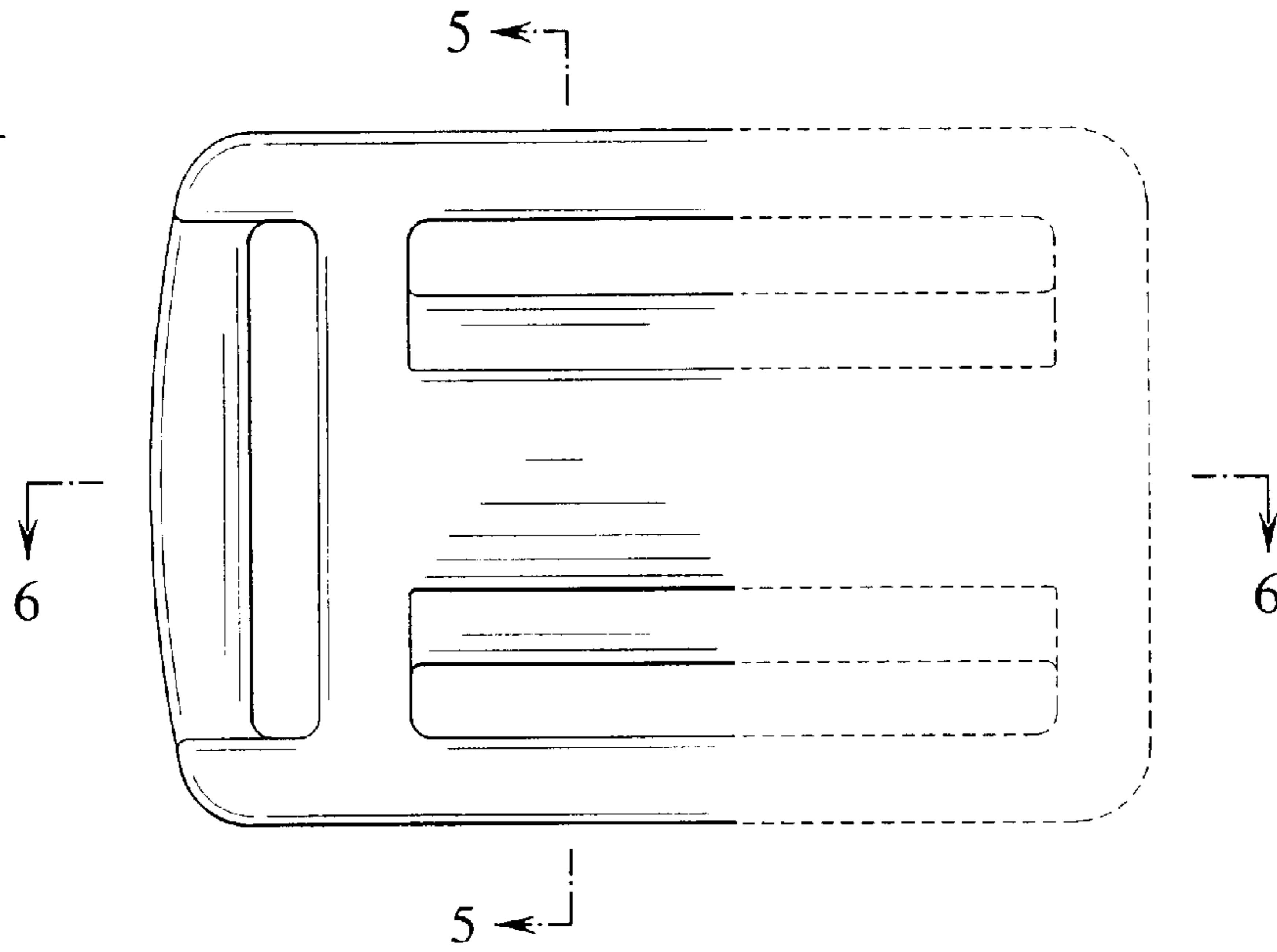


FIG. 2

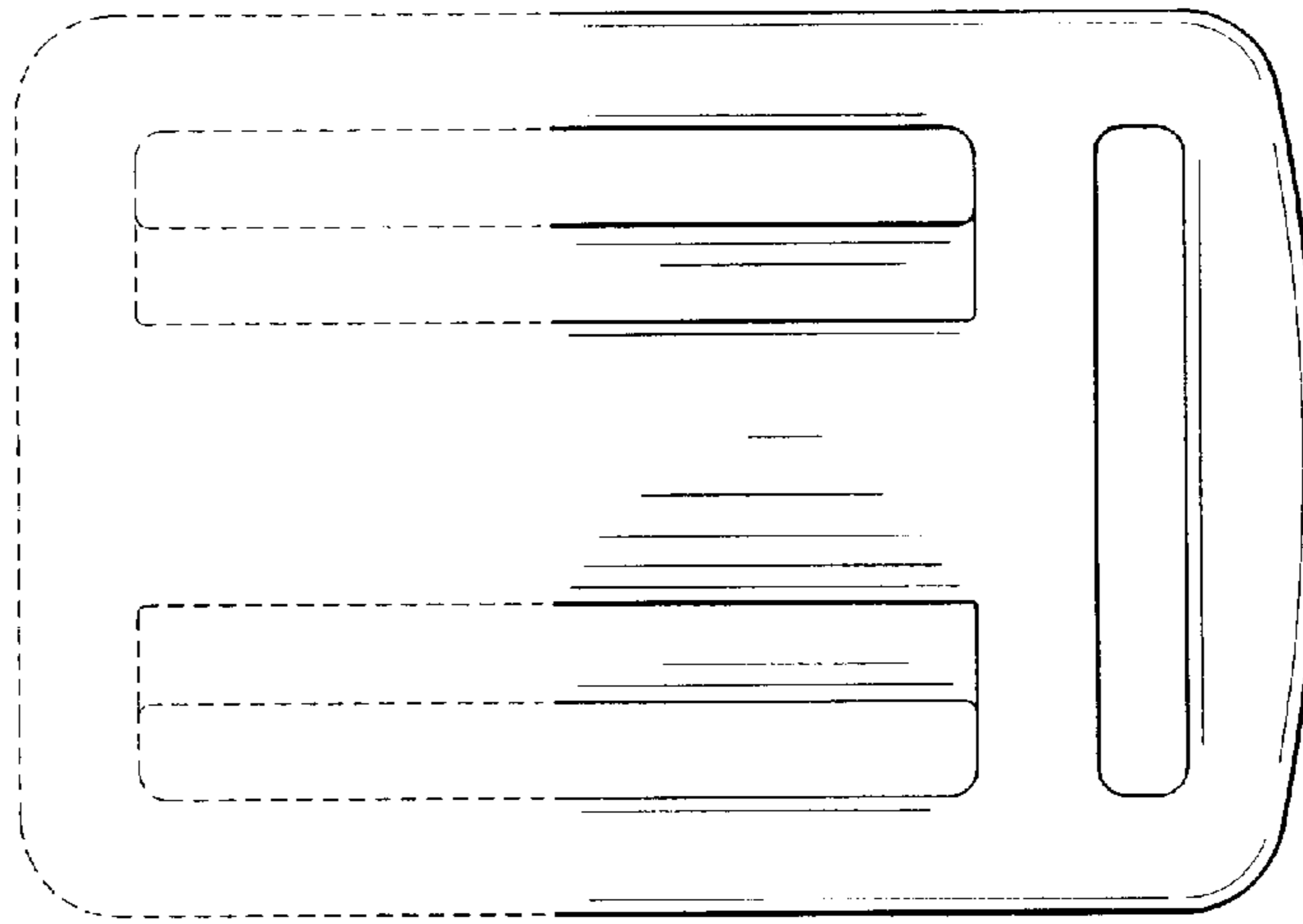


FIG. 3

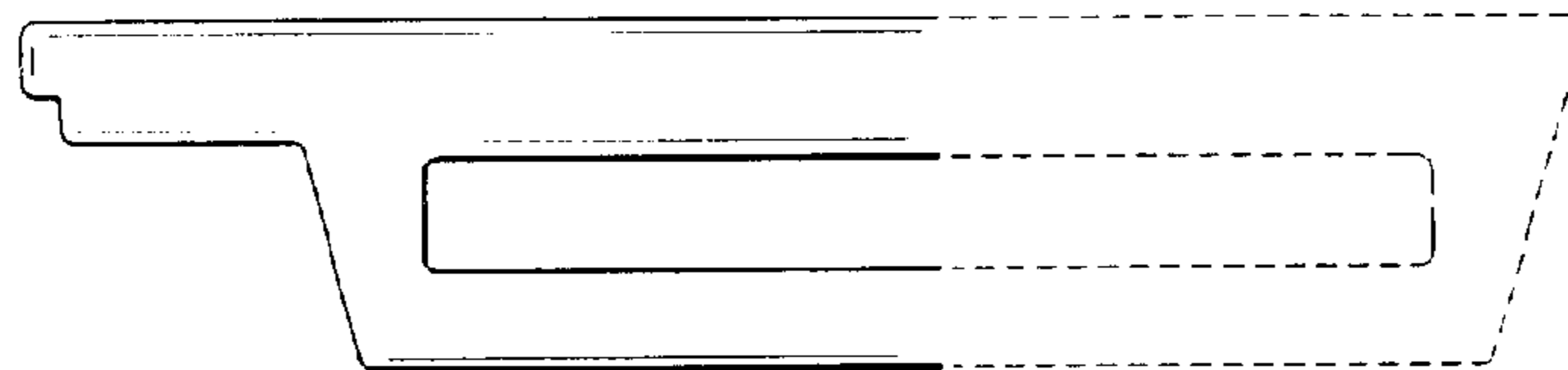


FIG. 4

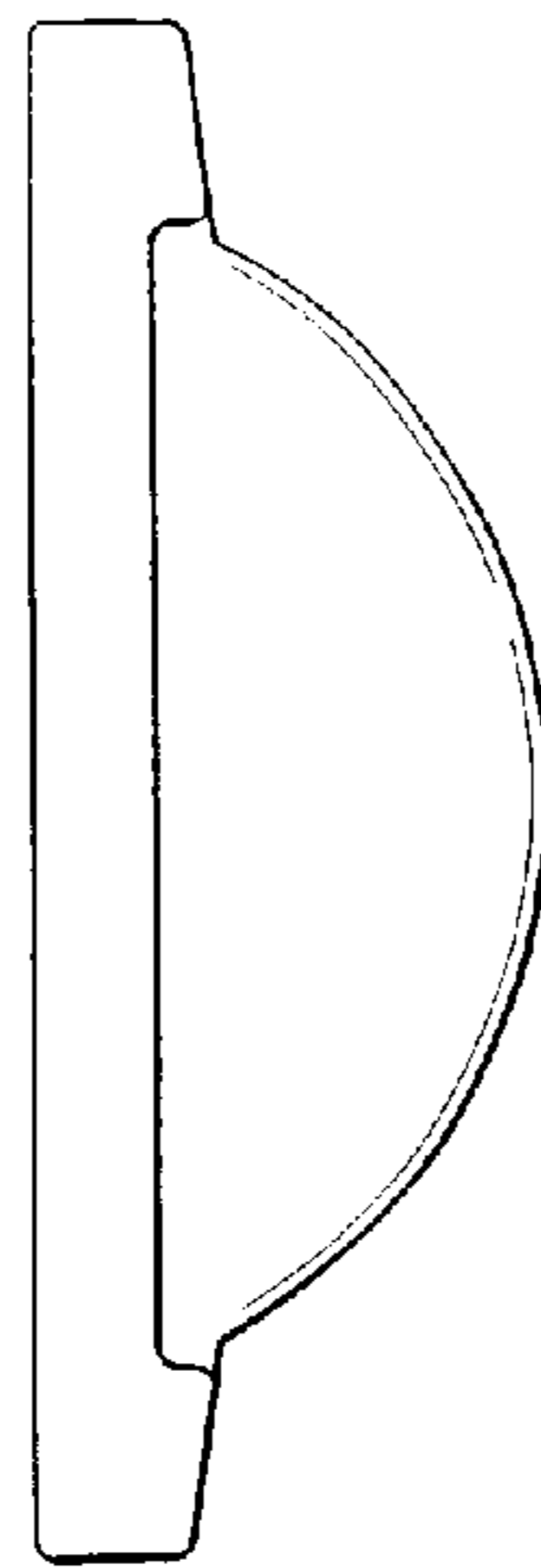


FIG. 5

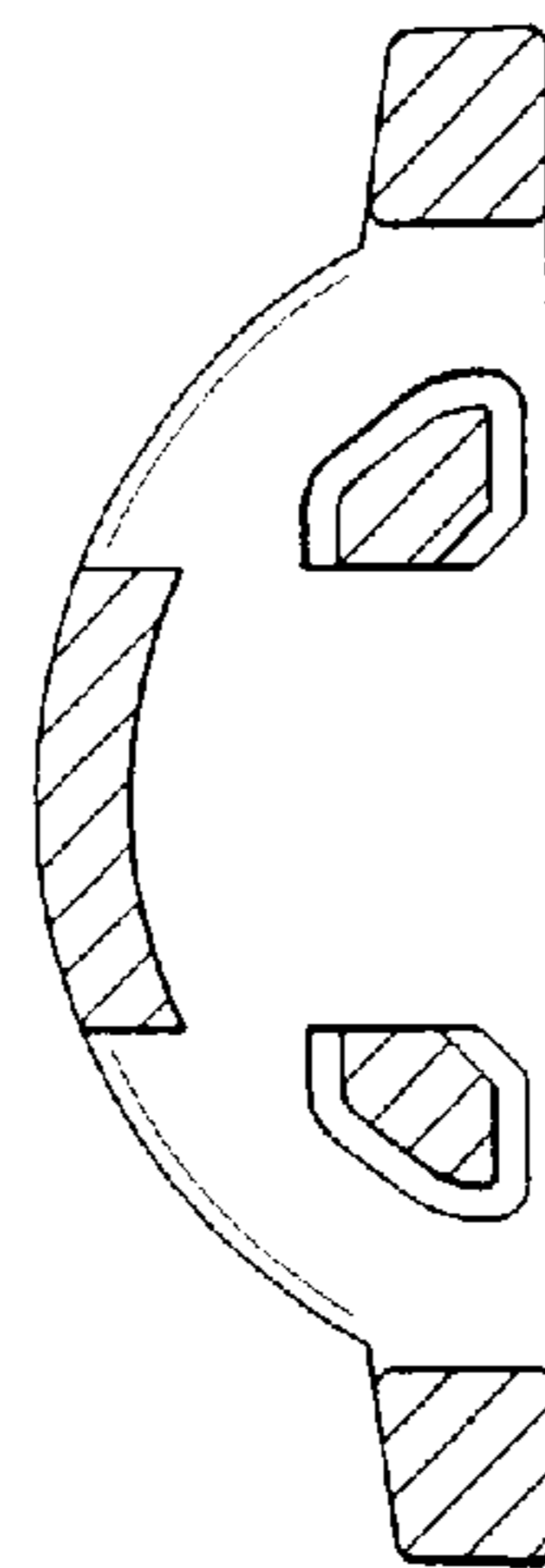


FIG. 6

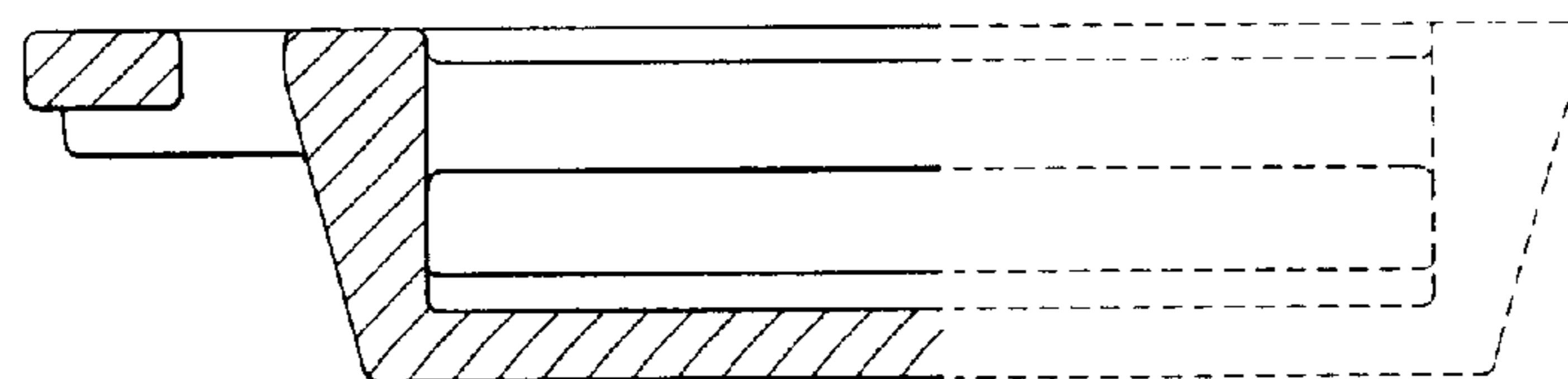


FIG. 7

