

US00D497832S1

(12) **United States Design Patent**  
**Glover**

(10) **Patent No.:** **US D497,832 S**

(45) **Date of Patent:** **\*\* Nov. 2, 2004**

(54) **CHRISTMAS TREE STAND WITH WHEELS AND PULL HANDLE**

(76) **Inventor:** **Douglas L. Glover**, 1700 Robbins Rd., Lot 473, Grand Haven, MI (US) 49417

(\*\*) **Term:** **14 Years**

(21) **Appl. No.:** **29/201,337**

(22) **Filed:** **Mar. 15, 2004**

(51) **LOC (7) Cl.** ..... **11-05**

(52) **U.S. Cl.** ..... **D11/130.1**

(58) **Field of Search** ..... D11/130.1; 47/40.5; 248/523-526

(56) **References Cited**

**U.S. PATENT DOCUMENTS**

D76,958 S	*	11/1928	Rosenberg	.....	D11/130.1
D87,368 S	*	7/1932	Fegley et al.	.....	D11/130.1
1,900,807 A	*	3/1933	Fegley et al.	.....	47/40.5
D100,808 S	*	8/1936	Wolf	.....	D11/130.1
2,516,802 A	*	7/1950	Richards et al.	.....	D11/130.1
2,956,357 A		10/1960	Rakes		
3,073,558 A	*	1/1963	De Klotz	.....	47/40.5
3,137,969 A	*	6/1964	Sokol	.....	47/57.5
3,411,740 A	*	11/1968	Schulz	.....	47/40.5
4,261,138 A	*	4/1981	St. George Syms	.....	47/40.5
4,331,720 A		5/1982	Vin Dick et al.		

D287,831 S	*	1/1987	Stephan	.....	D11/130.1
4,895,339 A		1/1990	Yang et al.		
5,190,261 A		3/1993	Tetting		
5,255,886 A		10/1993	Wang		
D351,570 S	*	10/1994	Fillipp	.....	D11/130.1
D354,930 S	*	1/1995	Rush et al.	.....	D11/130.1
D381,598 S	*	7/1997	Roberts et al.	.....	D11/130.1
D382,227 S	*	8/1997	Adams et al.	.....	D11/130.1
D396,824 S	*	8/1998	Bolster	.....	D11/130.1

\* cited by examiner

*Primary Examiner*—Dominic Simone

(74) *Attorney, Agent, or Firm*—Donald R. Schoonover

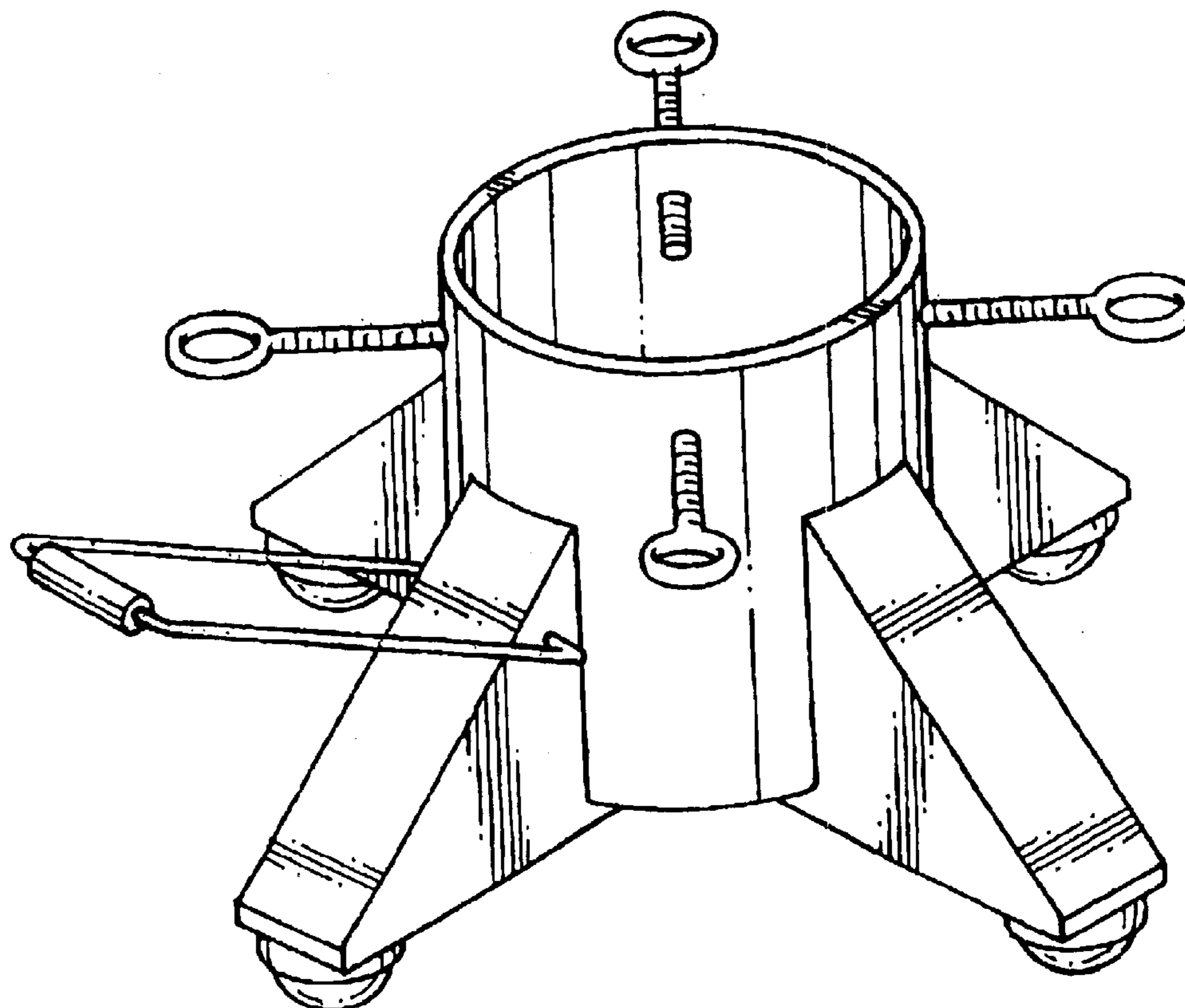
(57) **CLAIM**

I claim the ornamental design for a Christmas tree stand with wheels and pull handle, as shown and described.

**DESCRIPTION**

FIG. 1 is a perspective view of a Christmas tree stand with wheels and pull handle showing my new design; FIG. 2 is a front elevational view thereof; FIG. 3 is a rear elevational view thereof; FIG. 4 is a right side elevational view thereof, the left side elevational view being a mirror image thereof; FIG. 5 is a top plan view thereof; and, FIG. 6 is a bottom plan view thereof.

**1 Claim, 4 Drawing Sheets**



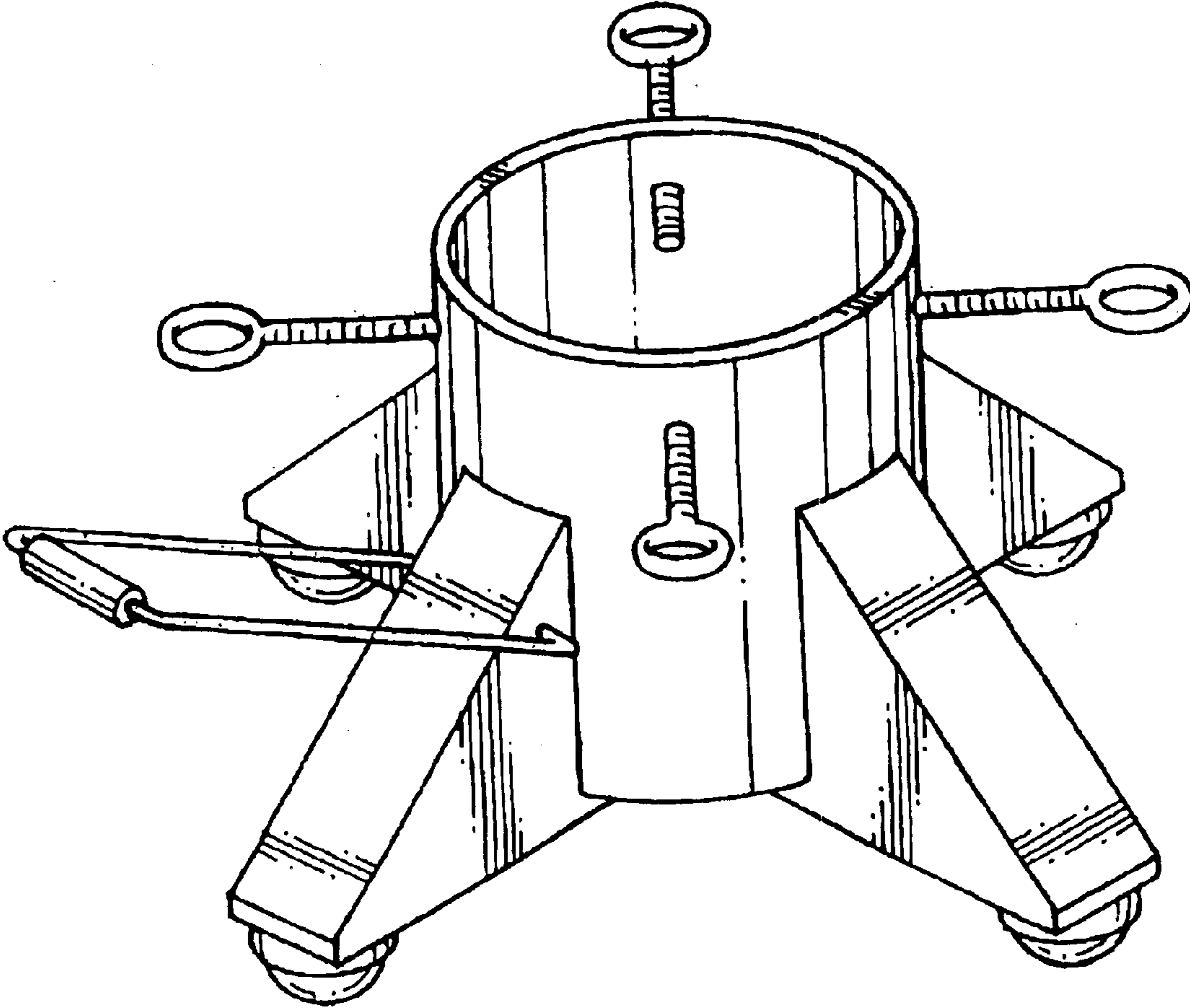


FIG. 1.

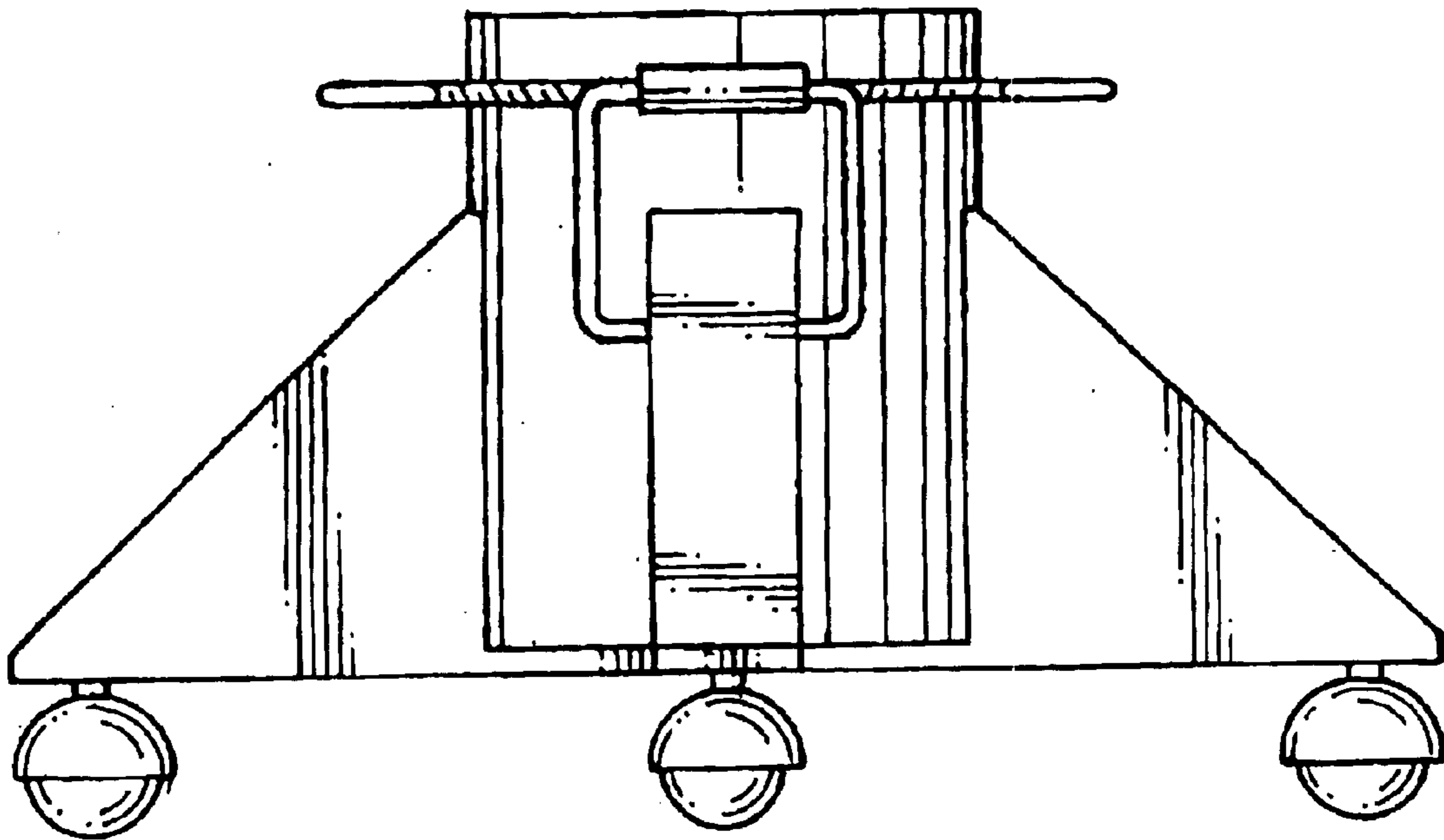


FIG. 2.

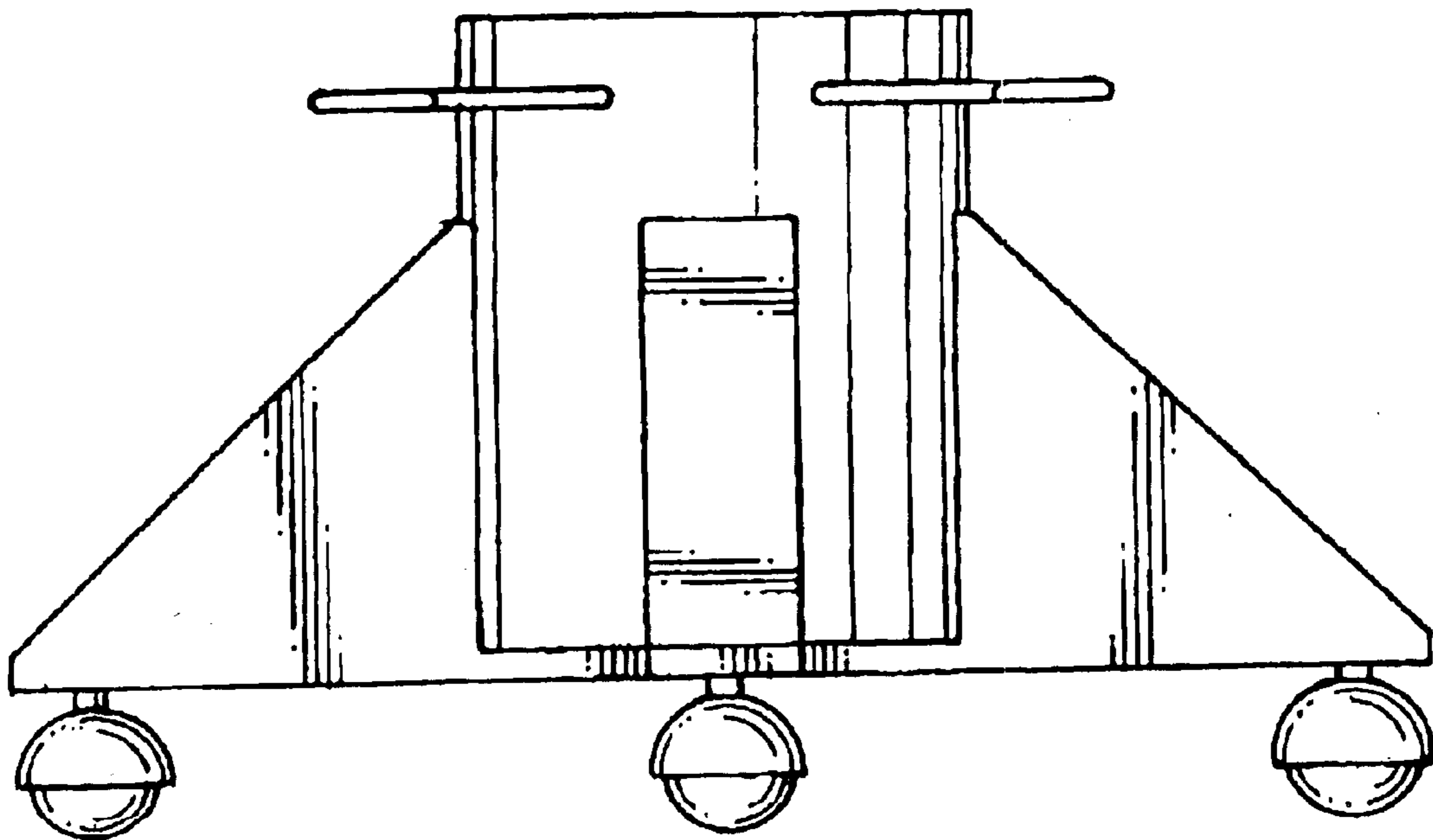
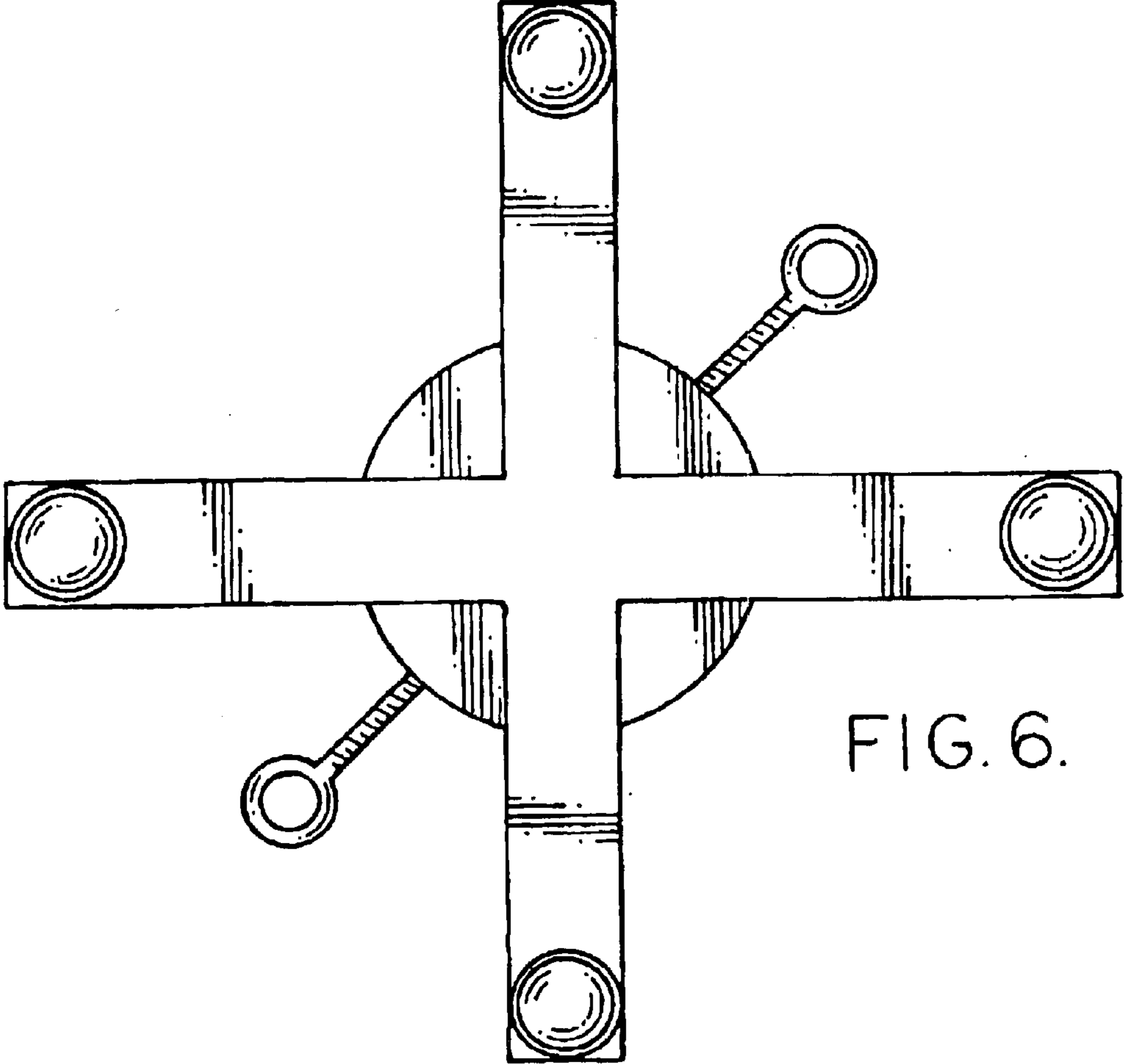
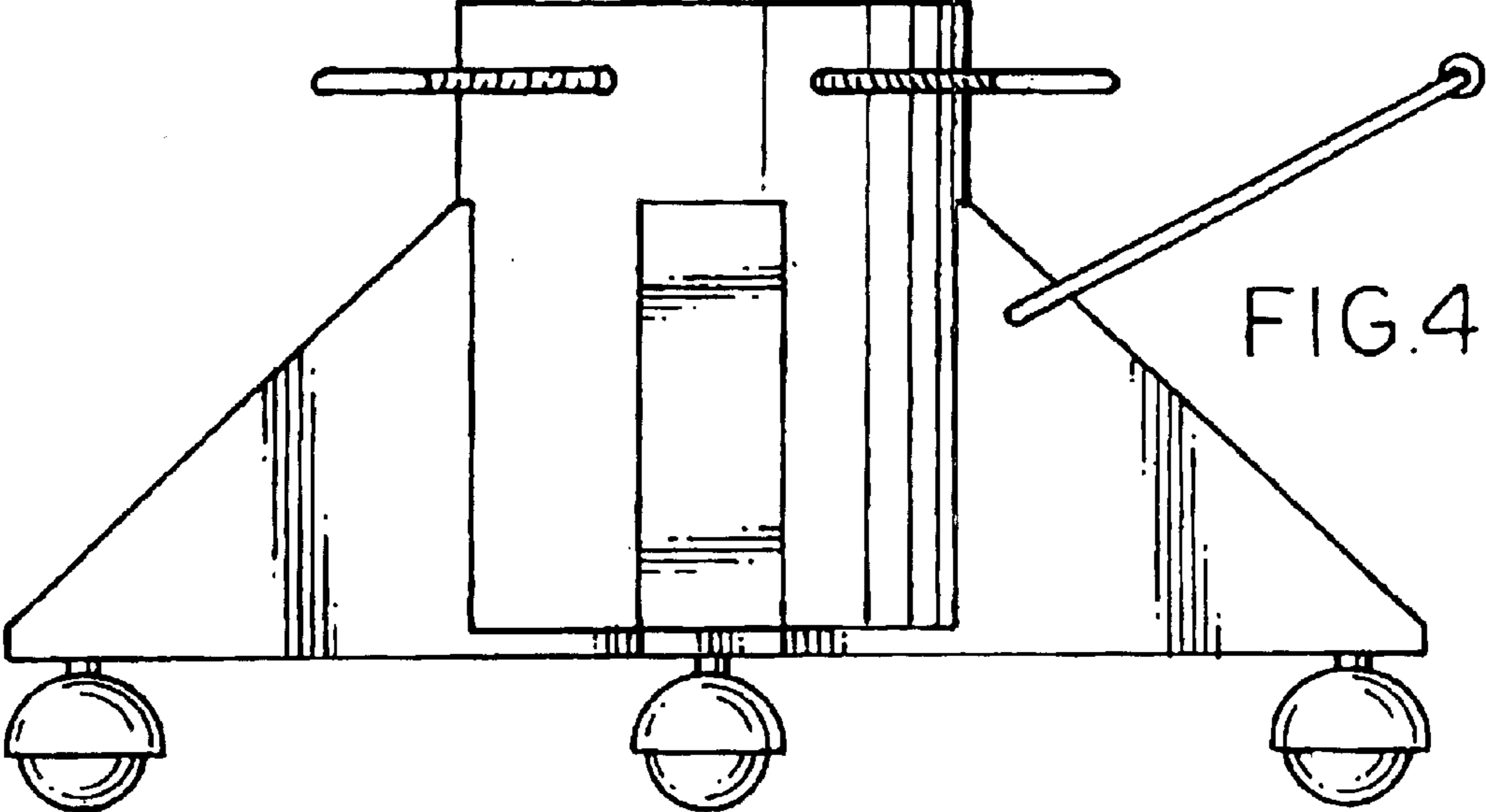


FIG. 3.



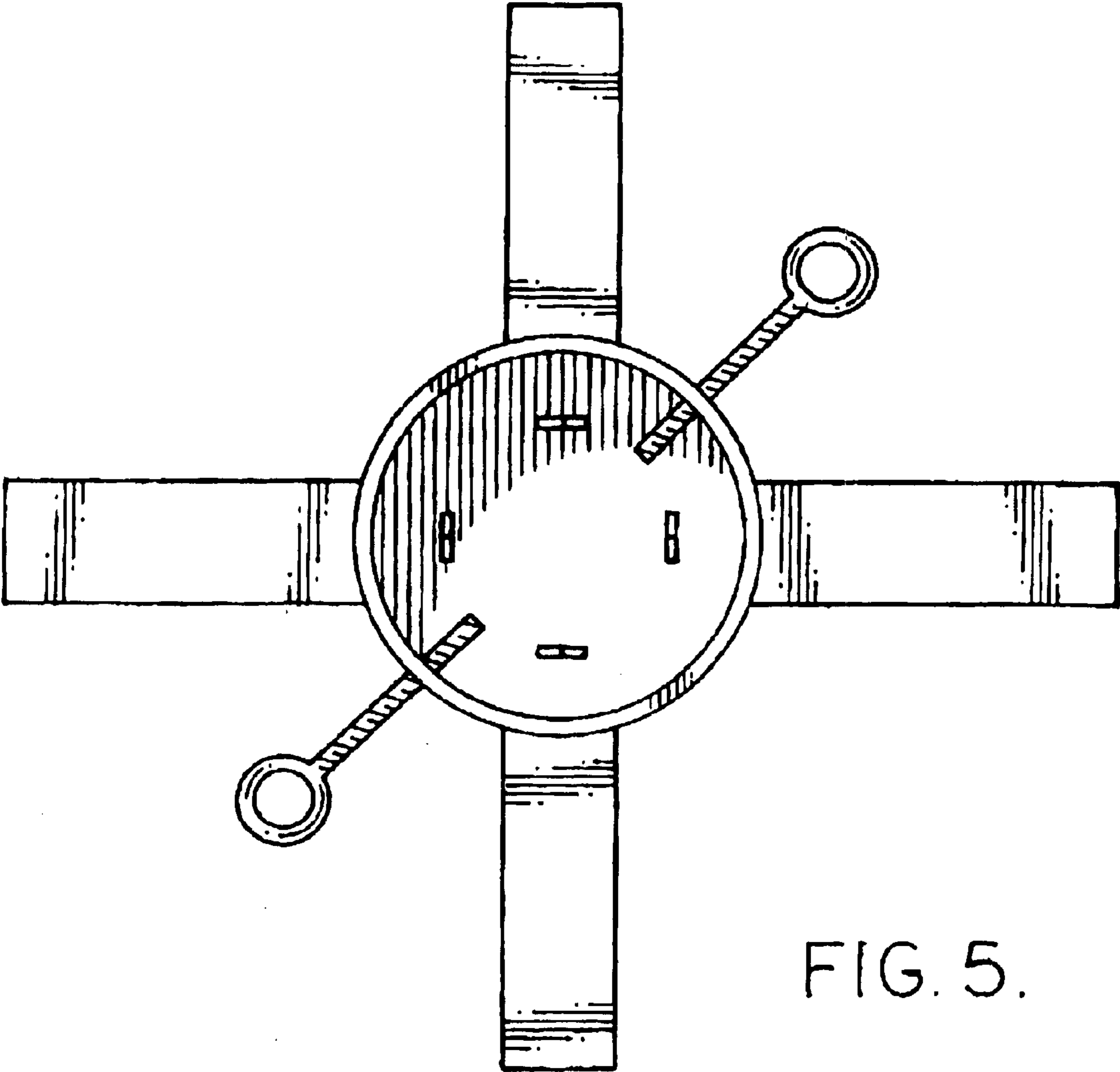


FIG. 5.