

US00D497816S1

(12) **United States Design Patent**
Sipos

(10) **Patent No.:** **US D497,816 S**

(45) **Date of Patent:** **** Nov. 2, 2004**

(54) **PROTRACTOR ATTACHMENT FOR A LEVEL**

5,488,777 A 2/1996 Erdesky
5,712,125 A * 1/1998 Uhlen 435/91.2
6,209,213 B1 * 4/2001 Moe 33/471

(76) Inventor: **Richard Sipos**, 223 Priscilla St.,
Allentown, PA (US) 18103

* cited by examiner

(**) Term: **14 Years**

Primary Examiner—Antoine D. Davis

(74) *Attorney, Agent, or Firm*—Donald R. Schoonover

(21) Appl. No.: **29/197,165**

(57) **CLAIM**

(22) Filed: **Jan. 13, 2004**

I claim the ornamental design for a protractor attachment for a level, as shown and described.

(51) **LOC (7) Cl.** **10-04**

(52) **U.S. Cl.** **D10/74; D10/62**

(58) **Field of Search** **D10/62, 74; 33/451, 33/471**

DESCRIPTION

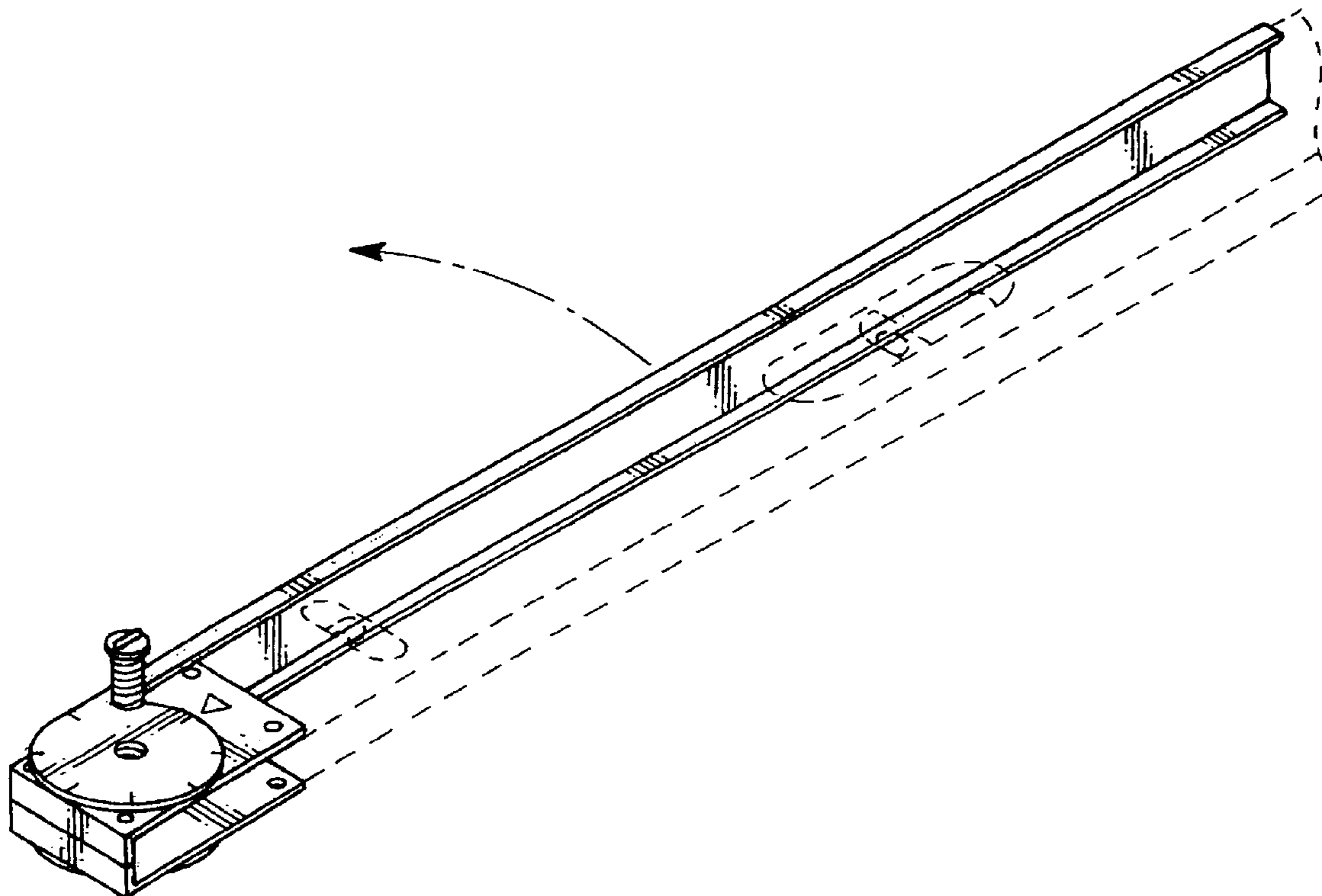
FIG. 1 is a partially exploded, perspective view of a protractor attachment for a level showing my new design; the broken lines depict environmental structure for illustrative purposes only and form no part of the claimed design; FIG. 2 is a bottom plan view thereof; FIG. 3 is a top plan view thereof; FIG. 4 is an end elevational view thereof; FIG. 5 is an elevational view of the opposing end thereof; FIG. 6 is a side elevational view thereof; and, FIG. 7 is an elevational view of the opposing side thereof.

(56) **References Cited**

U.S. PATENT DOCUMENTS

4,394,801 A	*	7/1983	Thibodeaux	33/496
4,481,720 A		11/1984	Sury		
4,745,689 A	*	5/1988	Hiltz	33/451
4,787,556 A		11/1988	Heisson		
5,063,679 A		11/1991	Schwandt		
5,240,301 A		8/1993	Arnold		
5,439,171 A		8/1995	Fruend		
5,459,935 A	*	10/1995	Paulson et al.	33/451

1 Claim, 3 Drawing Sheets



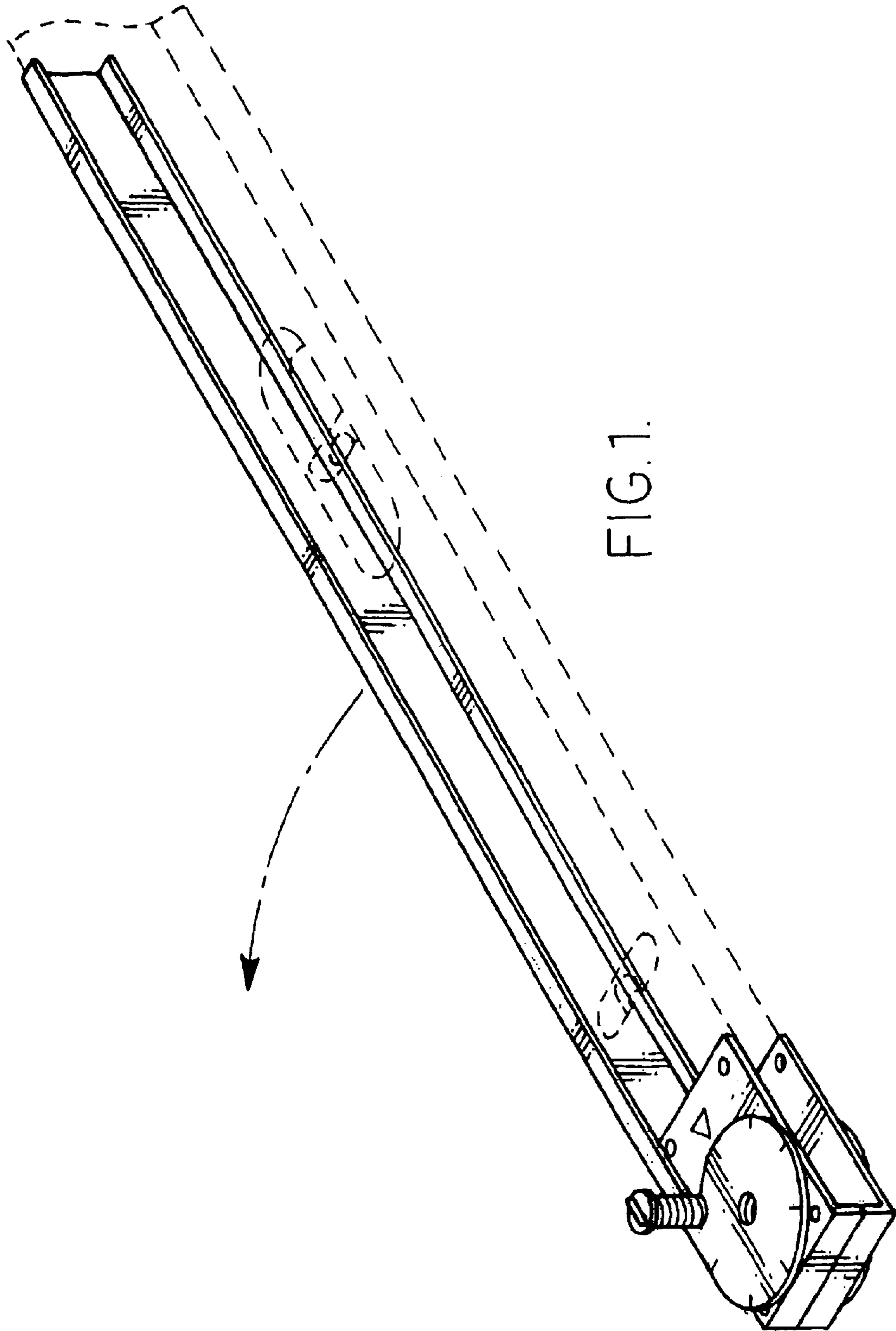




FIG. 4.

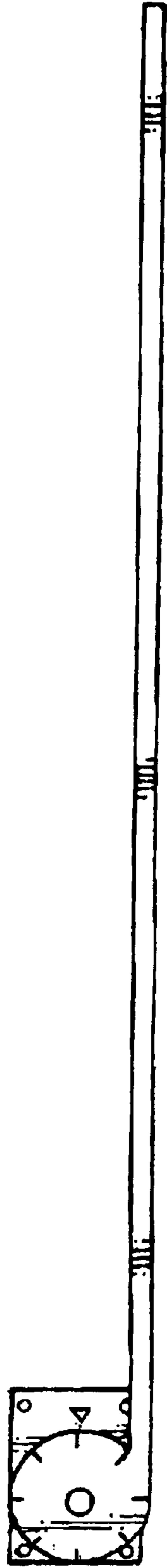


FIG. 2.

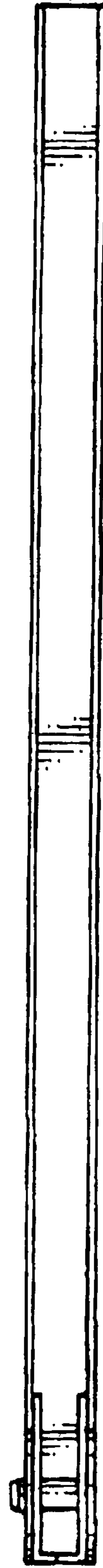


FIG. 6.



FIG. 5.

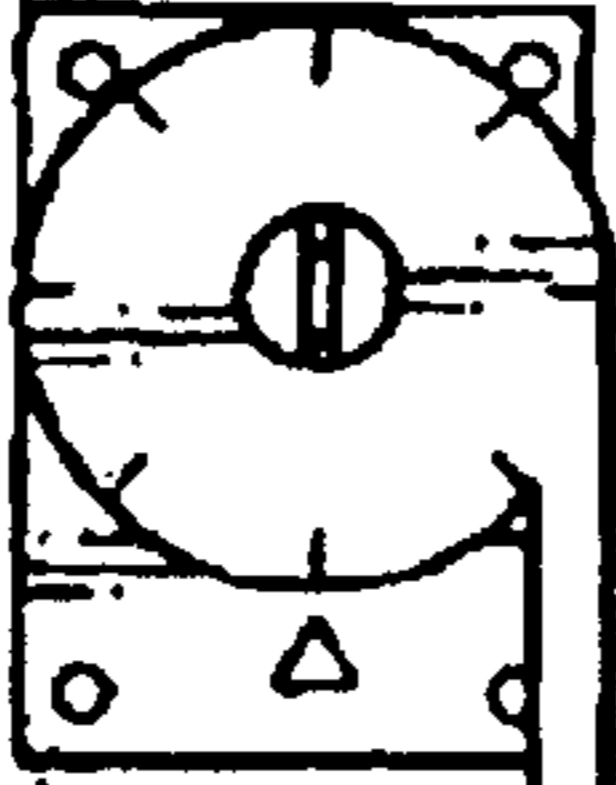


FIG. 3.



FIG. 7.