



US00D497803S1

(12) **United States Design Patent** (10) **Patent No.:** **US D497,803 S**
Nichols et al. (45) **Date of Patent:** **** Nov. 2, 2004**

(54) **TABLET DISPENSER**

(75) Inventors: **Mark A. Nichols**, Boston, MA (US);
David G. Honan, Concord, MA (US);
Faith C. David-Hegerich, Holliston,
MA (US)

(73) Assignee: **Wyeth**, Madison, NJ (US)

(**) Term: **14 Years**

(21) Appl. No.: **29/191,683**

(22) Filed: **Oct. 10, 2003**

(51) **LOC (7) Cl.** **09-07**

(52) **U.S. Cl.** **D9/417; D9/428; D9/422**

(58) **Field of Search** D9/417, 414, 422,
D9/424, 430, 428, 339, 341; D3/201, 203;
206/528-534, 535-539, 533, 828; 221/307-310

(56) **References Cited**

U.S. PATENT DOCUMENTS

D167,777 S * 9/1952 Spender D9/420
3,053,383 A * 9/1962 Lee 206/540
D272,420 S * 1/1984 Shaland D9/424
D333,430 S * 2/1993 Reiseder D9/418
5,275,291 A * 1/1994 Sledge 206/531
D397,247 S * 8/1998 Gardner et al. D3/203
6,068,126 A * 5/2000 DeJonge 206/538

D436,034 S * 1/2001 Wolff D9/417
D476,886 S * 7/2003 Christianson D9/422
6,662,081 B1 * 12/2003 Jacober et al. 700/242
6,669,022 B2 * 12/2003 Donegan 206/531

* cited by examiner

Primary Examiner—Prabhakar Deshmukh

(74) *Attorney, Agent, or Firm*—Woodcock Washburn LLP

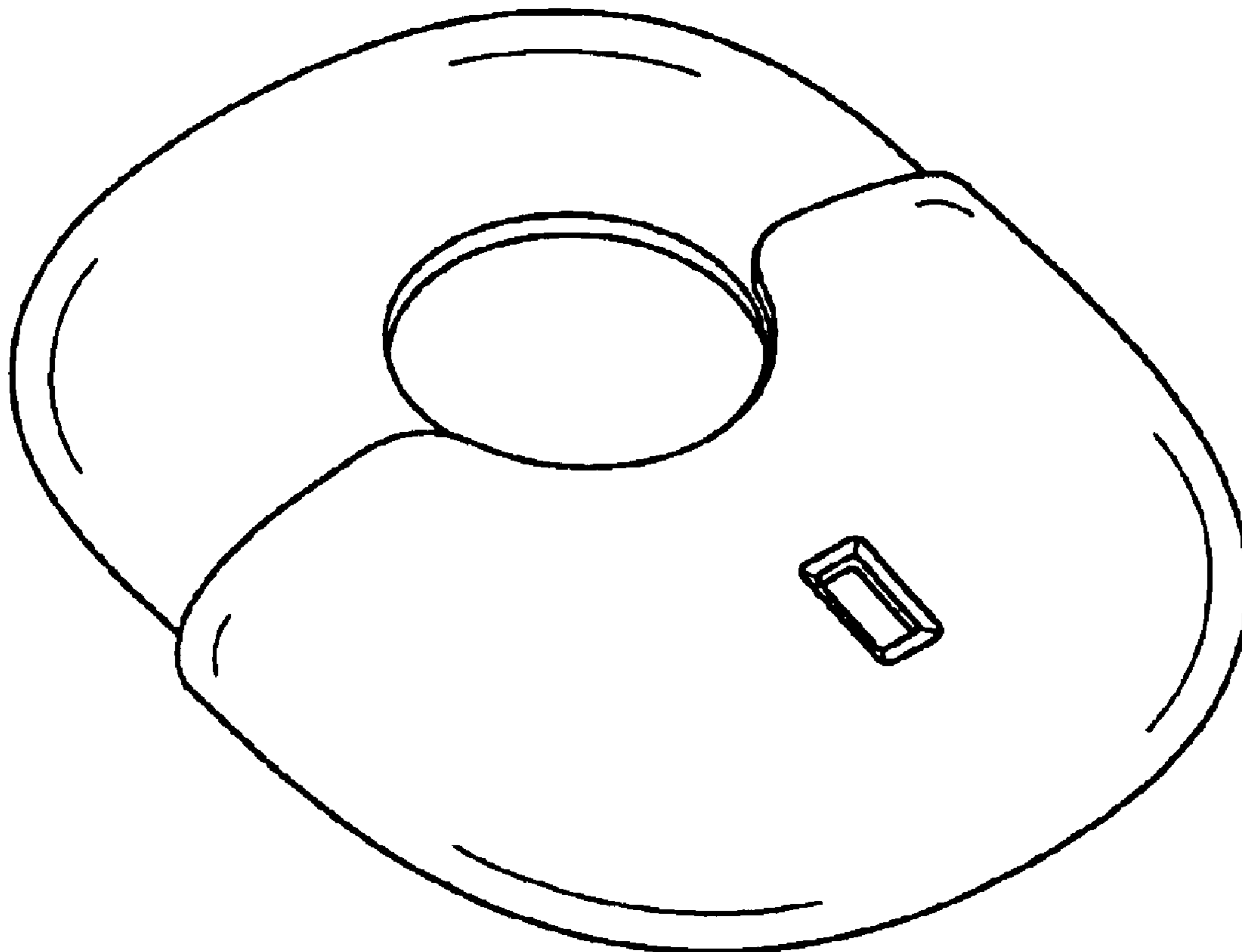
(57) **CLAIM**

The ornamental design for a tablet dispenser, as shown and described.

DESCRIPTION

FIG. 1 is a perspective view of a tablet dispenser;
FIG. 2 is a top side view of the tablet dispenser shown in FIG. 1;
FIG. 3 is a left side view of the tablet dispenser shown in FIGS. 1 and 2;
FIG. 4 is a front side view of the tablet dispenser shown in FIGS. 1-3;
FIG. 5 is a bottom side view of the tablet dispenser shown in FIGS. 1-4;
FIG. 6 is a right side view of the tablet dispenser shown in FIGS. 1-5; and,
FIG. 7 is a back side view of the tablet dispenser shown in FIGS. 1-6.

1 Claim, 3 Drawing Sheets



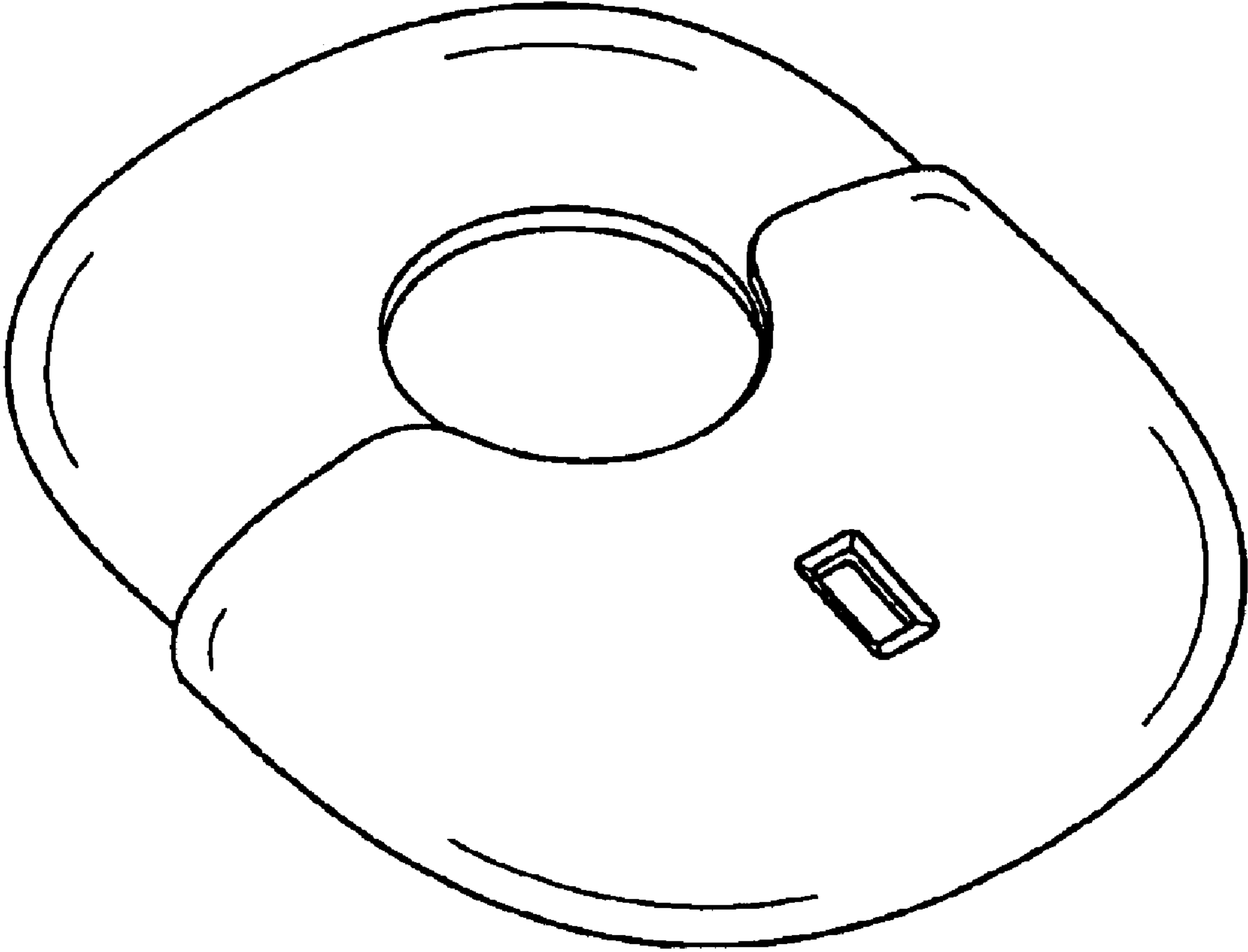


Fig. 1

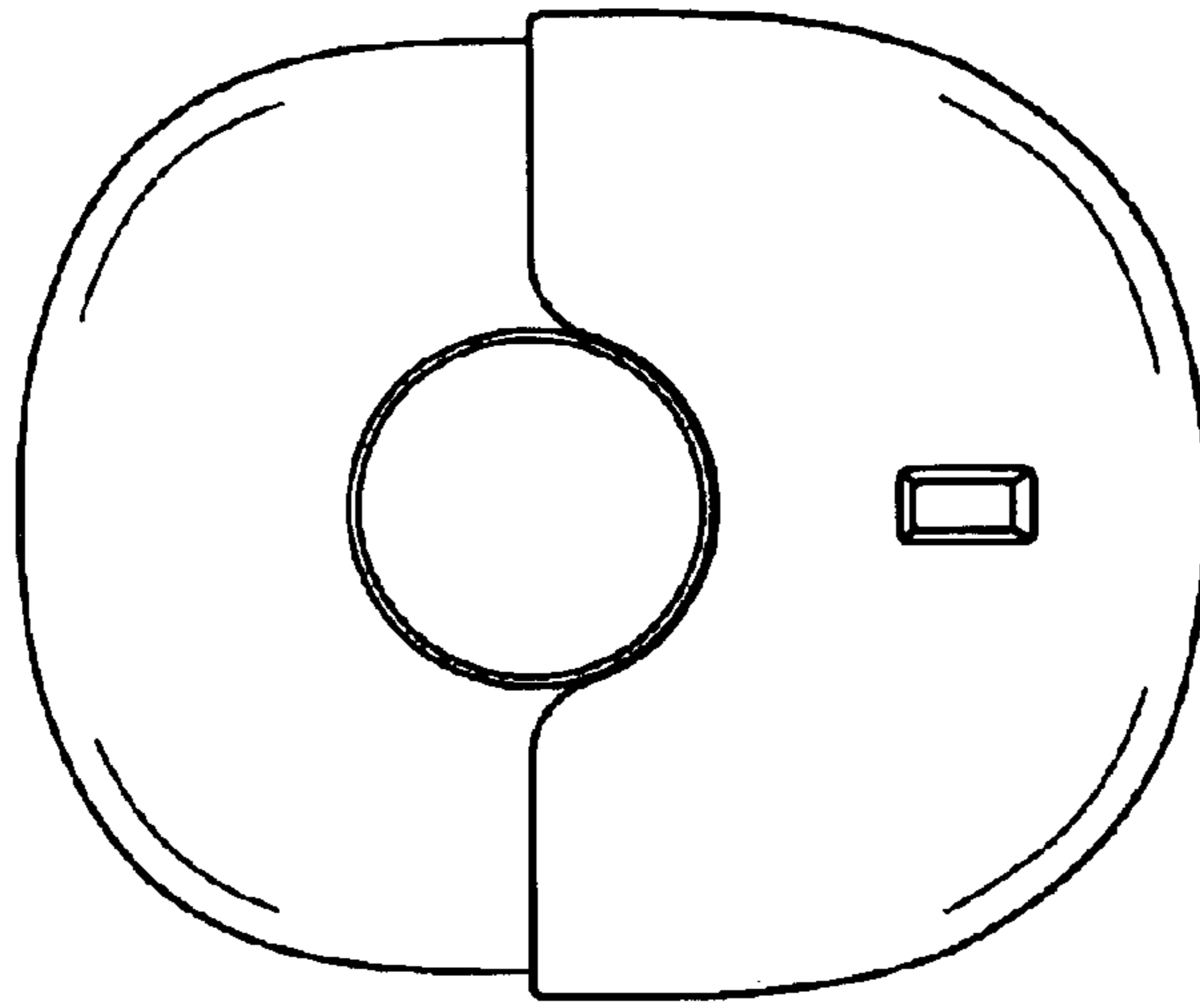


Fig. 2



Fig. 3

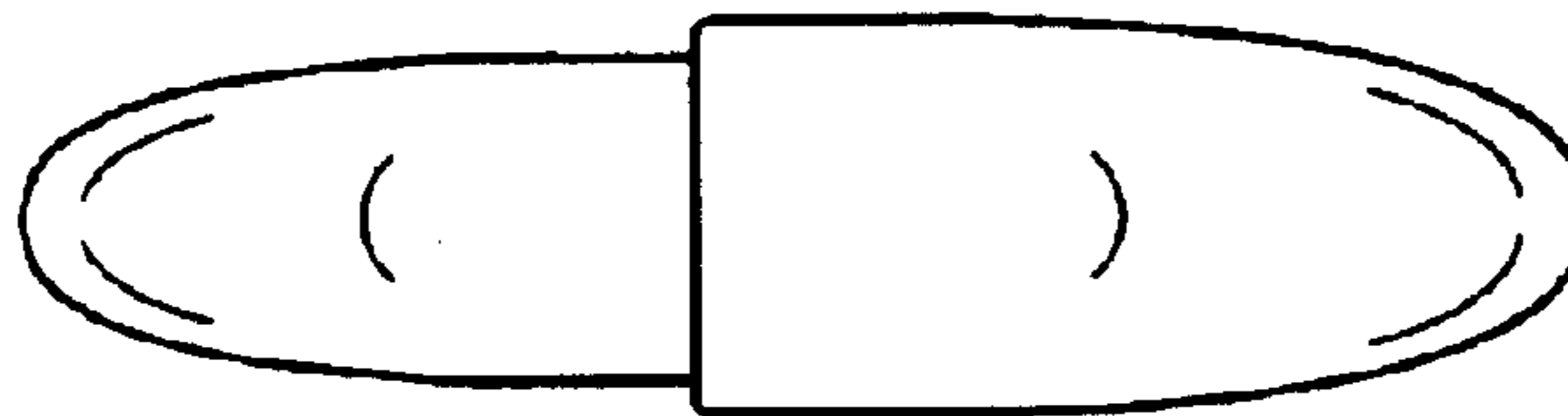


Fig. 4

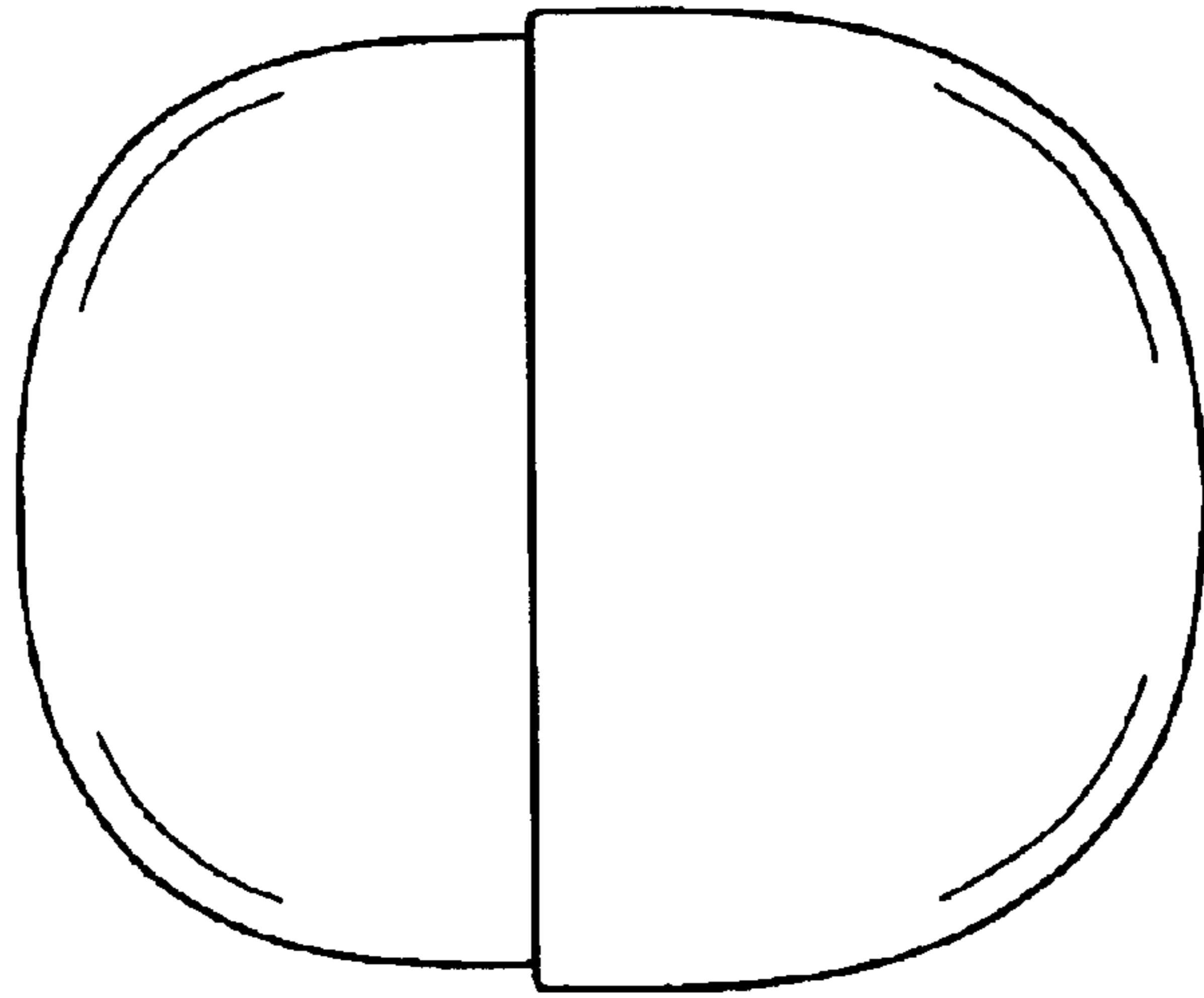


Fig. 5

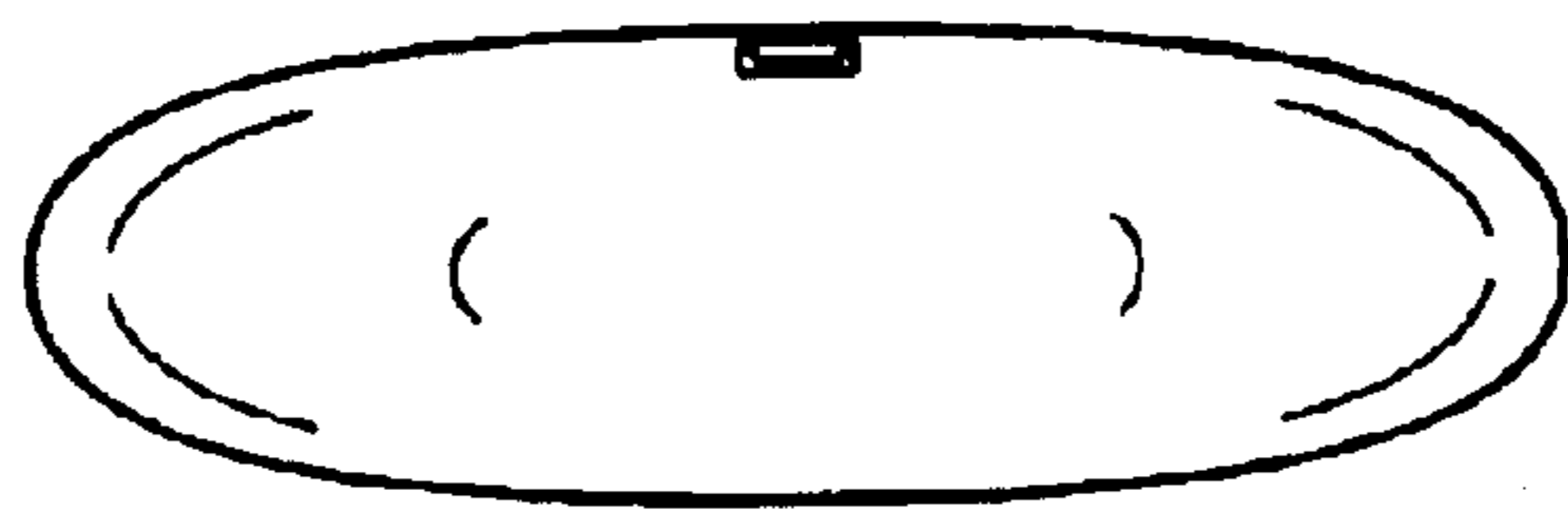


Fig. 6

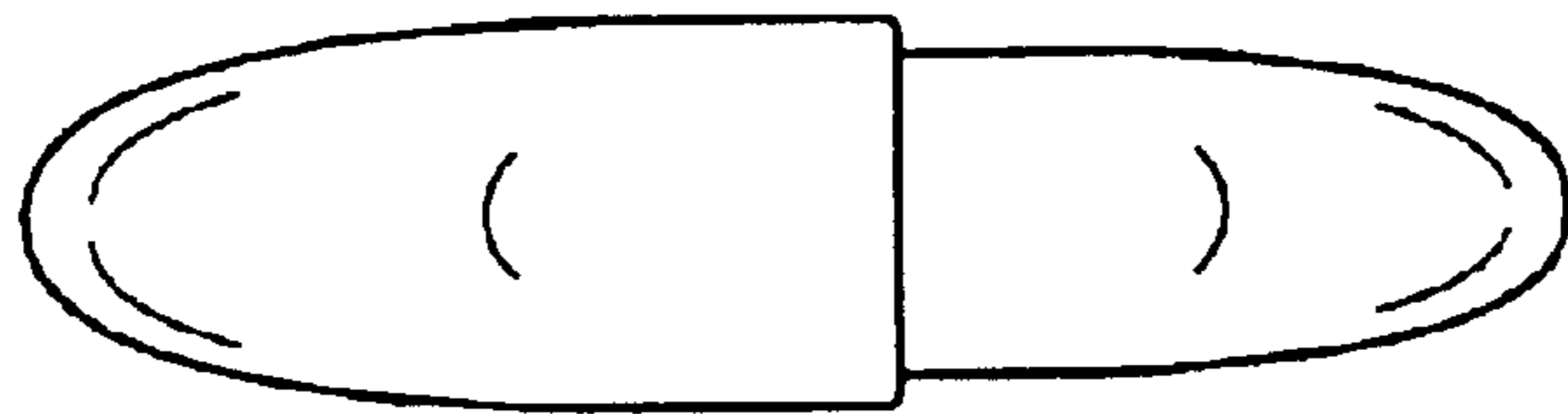


Fig. 7