



US00D497800S1

(12) **United States Design Patent**
Trettin

(10) **Patent No.: US D497,800 S**

(45) **Date of Patent: ** *Nov. 2, 2004**

(54) **DISPLAY PACKAGE FOR A TOOL BIT**

(75) Inventor: **David J. Trettin**, Charlotte, NC (US)

(73) Assignee: **Irwin Industrial Tool Company**,
Freeport, IL (US)

(*) Notice: This patent is subject to a terminal disclaimer.

(**) Term: **14 Years**

(21) Appl. No.: **29/186,432**

(22) Filed: **Jul. 15, 2003**

(51) **LOC (7) Cl. 09-07**

(52) **U.S. Cl. D9/415**

(58) **Field of Search** D9/415, 418, 414,
D9/457, 455; 206/461-471, 349, 806, 495,
476-480, 376-379, 207; D3/201, 210, 905

(56) **References Cited**

U.S. PATENT DOCUMENTS

3,770,120 A	11/1973	Hanson	206/79
3,978,984 A	9/1976	Cowley	206/379
4,019,632 A	4/1977	Greenlee	206/349
4,046,279 A	9/1977	Rösler	220/8
4,210,253 A	7/1980	Rösler	220/8
4,509,656 A	4/1985	Rösler	220/8
4,586,615 A	5/1986	Quitmann	211/70.6
4,634,005 A	1/1987	Kulzer et al.	206/477
4,667,826 A	5/1987	Salacuse	206/461
4,995,513 A	2/1991	Rösler	206/446
5,028,057 A	7/1991	Wanner	279/19.3
5,466,101 A	11/1995	Meyen	408/226
5,484,056 A	1/1996	Wood	206/349
5,505,570 A	4/1996	Meyen	408/58
5,515,966 A	5/1996	Hodge et al.	206/292
5,562,212 A	10/1996	Rösler	206/443
5,577,629 A	11/1996	Rösler	220/525
D376,312 S	12/1996	Cahn et al.	D9/415
D376,538 S	* 12/1996	Rojnik et al.	D9/415
5,588,525 A	12/1996	Rösler	206/303
5,713,467 A	2/1998	Dao	206/349
5,816,401 A	10/1998	Vasudeva et al.	206/377

5,908,111 A	6/1999	Purdy	206/461
5,918,741 A	7/1999	Vasudeva	206/376
D413,260 S	8/1999	Vasudeva	D9/415
5,967,318 A	10/1999	Rösler	206/372
5,979,649 A	11/1999	Rösler	206/379
5,979,652 A	11/1999	Rösler	
5,988,381 A	11/1999	Ling	206/349
D420,577 S	2/2000	Steel et al.	D9/415
6,032,797 A	3/2000	Kao	206/378
D422,496 S	* 4/2000	Eckmann	D9/415
6,076,669 A	6/2000	Ling	206/349
6,089,798 A	7/2000	Wierspecker et al.	408/226
D429,461 S	* 8/2000	Rowlay	D9/415
6,152,299 A	11/2000	O'Malley et al.	206/349
6,164,463 A	12/2000	Lee	211/70.6

(List continued on next page.)

FOREIGN PATENT DOCUMENTS

DK	94 10 538 U1	6/1994
EP	0 693 436 B1	1/1995
GB	2 316 929 B	6/1996

Primary Examiner—Prabhakar Deshmukh

(74) *Attorney, Agent, or Firm*—Brinks Hofer Gilson & Lione

(57) **CLAIM**

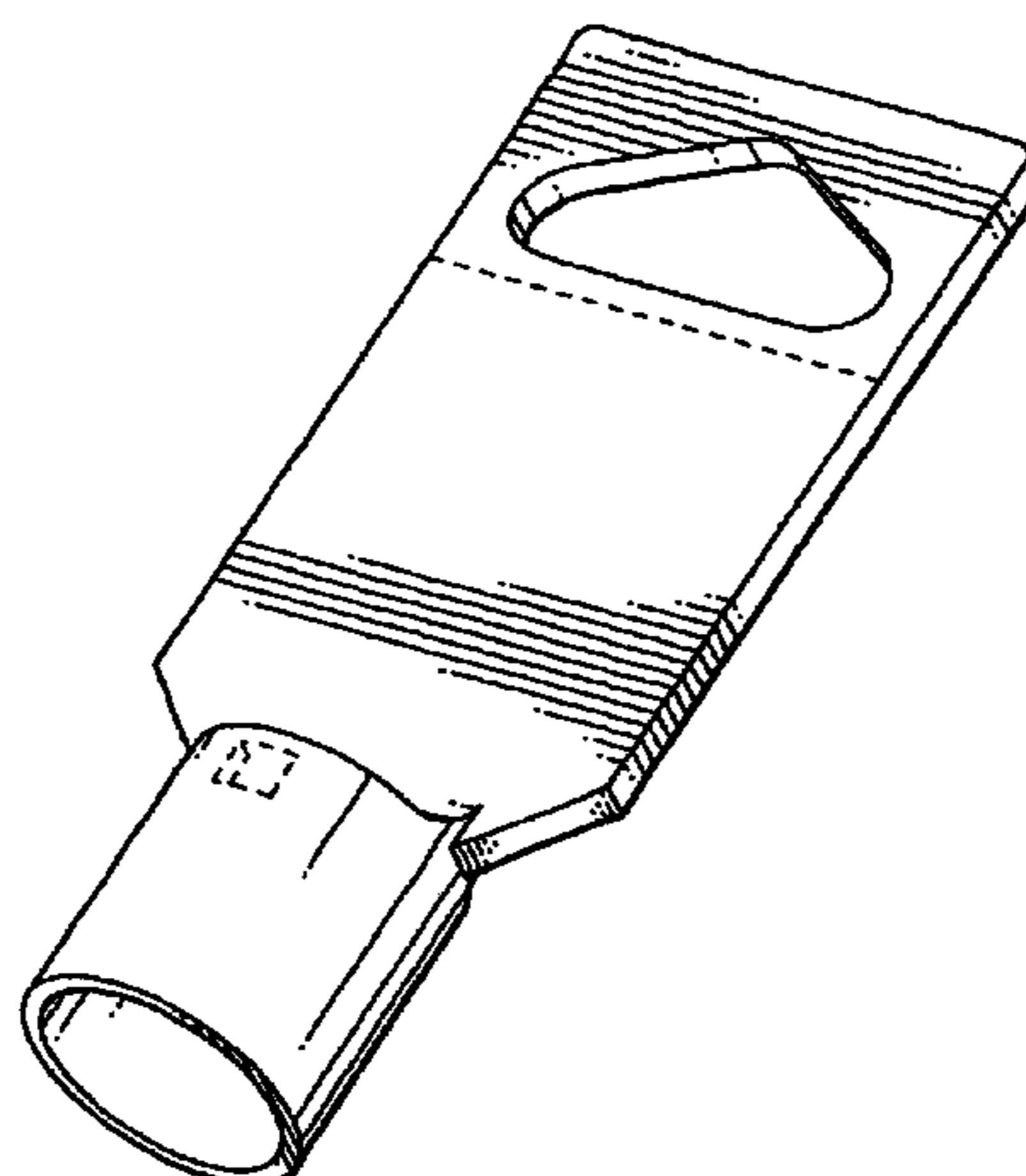
The ornamental design for a display package for a tool bit, as shown and described.

DESCRIPTION

FIG. 1 is a front perspective view of a display package for a tool bit of the present invention;
FIG. 2 is a front view thereof;
FIG. 3 is a rear view thereof;
FIG. 4 is a left-side view thereof, which is similar to a right-side view thereof;
FIG. 5 is a bottom view thereof; and,
FIG. 6 is a top view thereof.

The ornamental design which is claimed is shown in solid lines in the drawings. Any broken lines in the drawings are for illustrative purposes only and form no part of the claimed design.

1 Claim, 3 Drawing Sheets



US D497,800 S

Page 2

U.S. PATENT DOCUMENTS

6,241,092 B1	6/2001	Vasudeva	206/349	6,425,482 B1	7/2002	Chiang	206/349
6,241,208 B1	6/2001	Lin	248/309.1	D467,172 S	* 12/2002	Thompson et al.	D9/415
D445,331 S	* 7/2001	Udwin et al.	D9/415	6,540,073 B1	4/2003	Hagel	
6,273,255 B1	8/2001	Rösler	206/378	6,581,894 B1	* 6/2003	Tong	248/314
D451,800 S	* 12/2001	Pryde et al.	D9/415	D478,281 S	* 8/2003	Prochaska	D9/415
6,345,798 B1	2/2002	Bondhus et al.	248/314	6,659,278 B1	* 12/2003	Velliquette	206/488

* cited by examiner

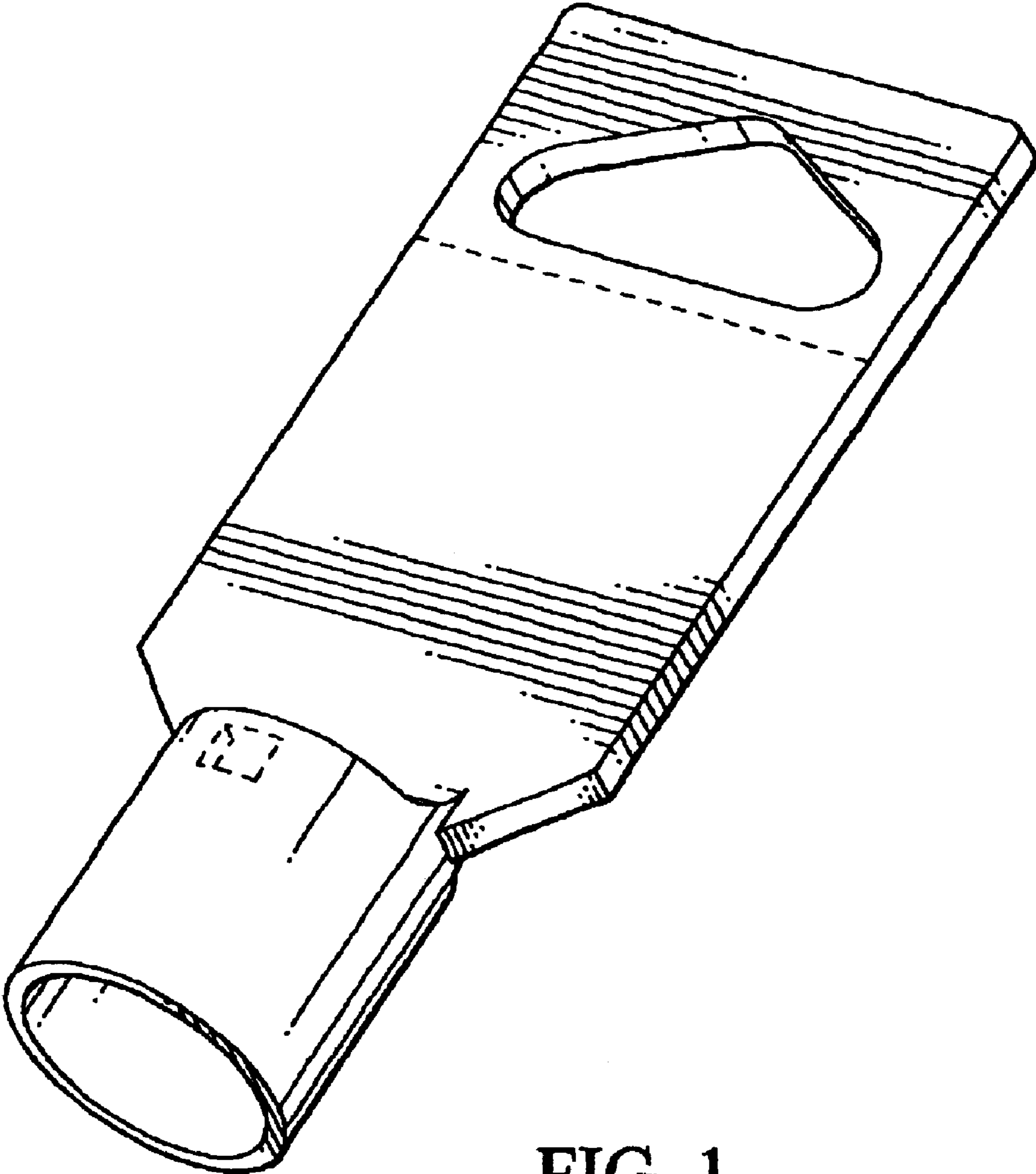


FIG. 1

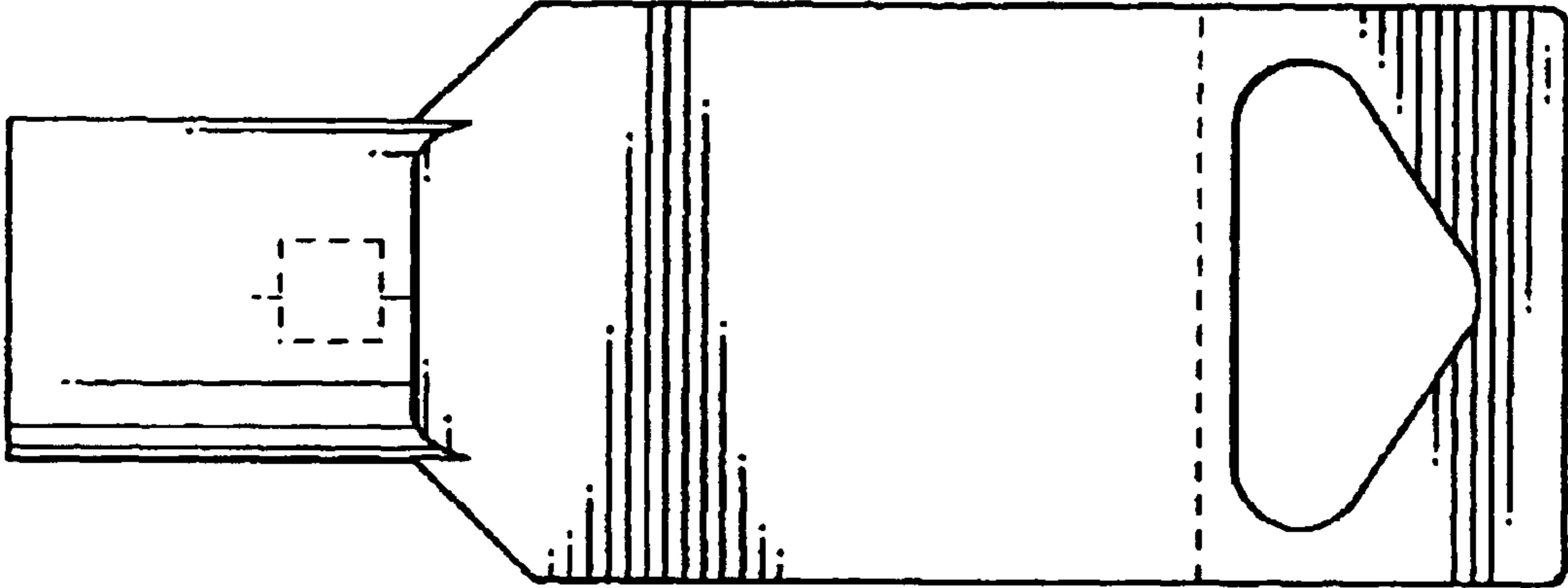


FIG. 2

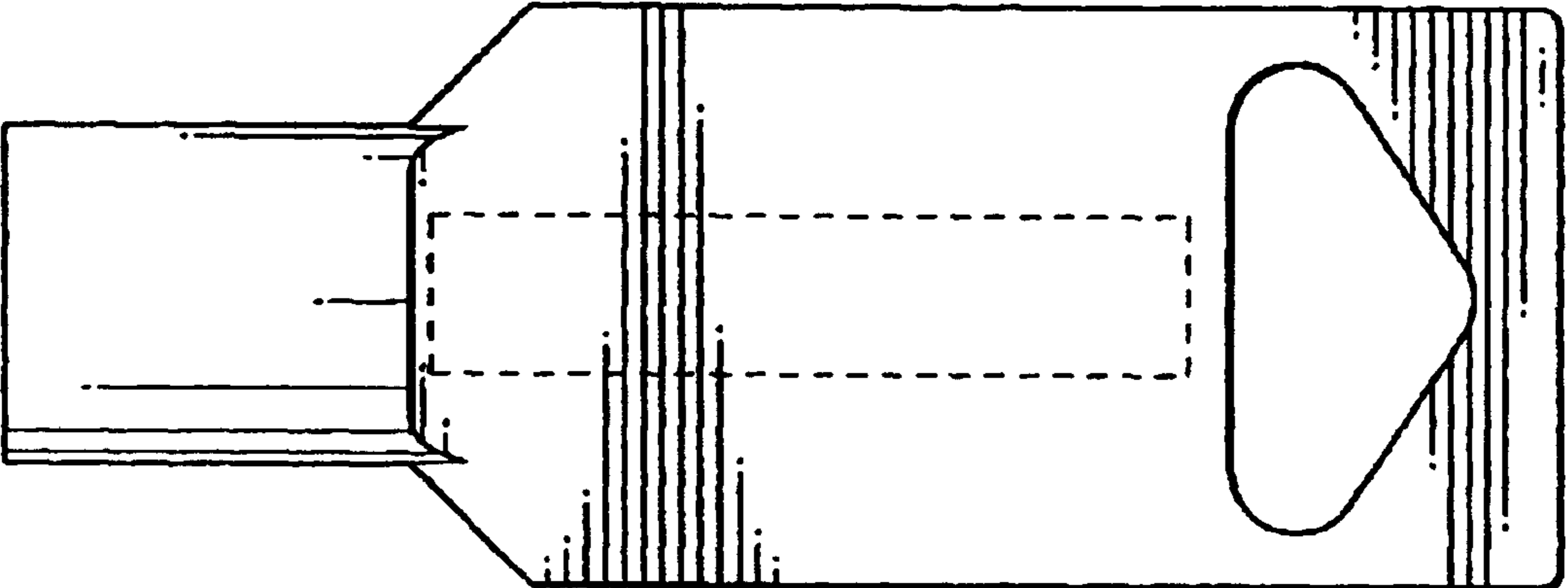


FIG. 3

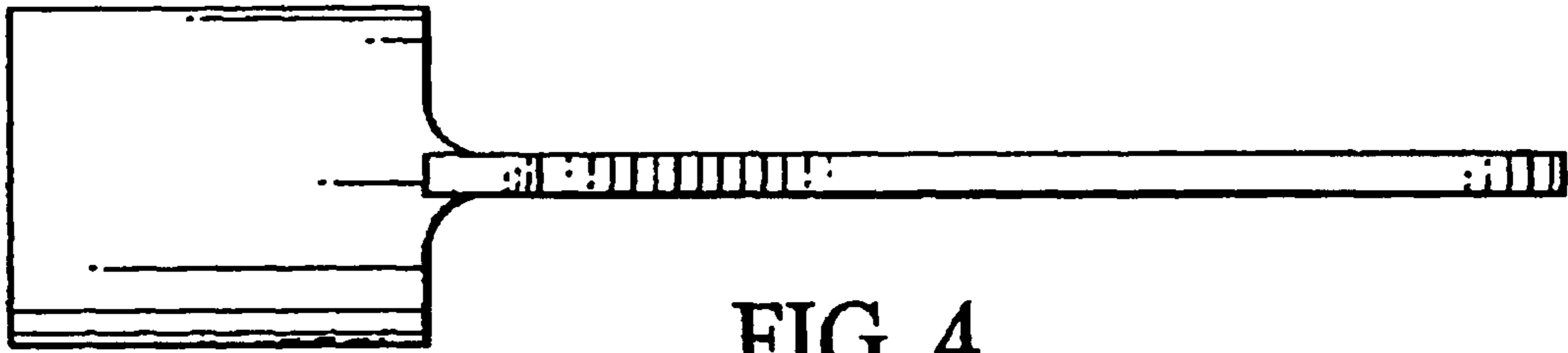


FIG. 4

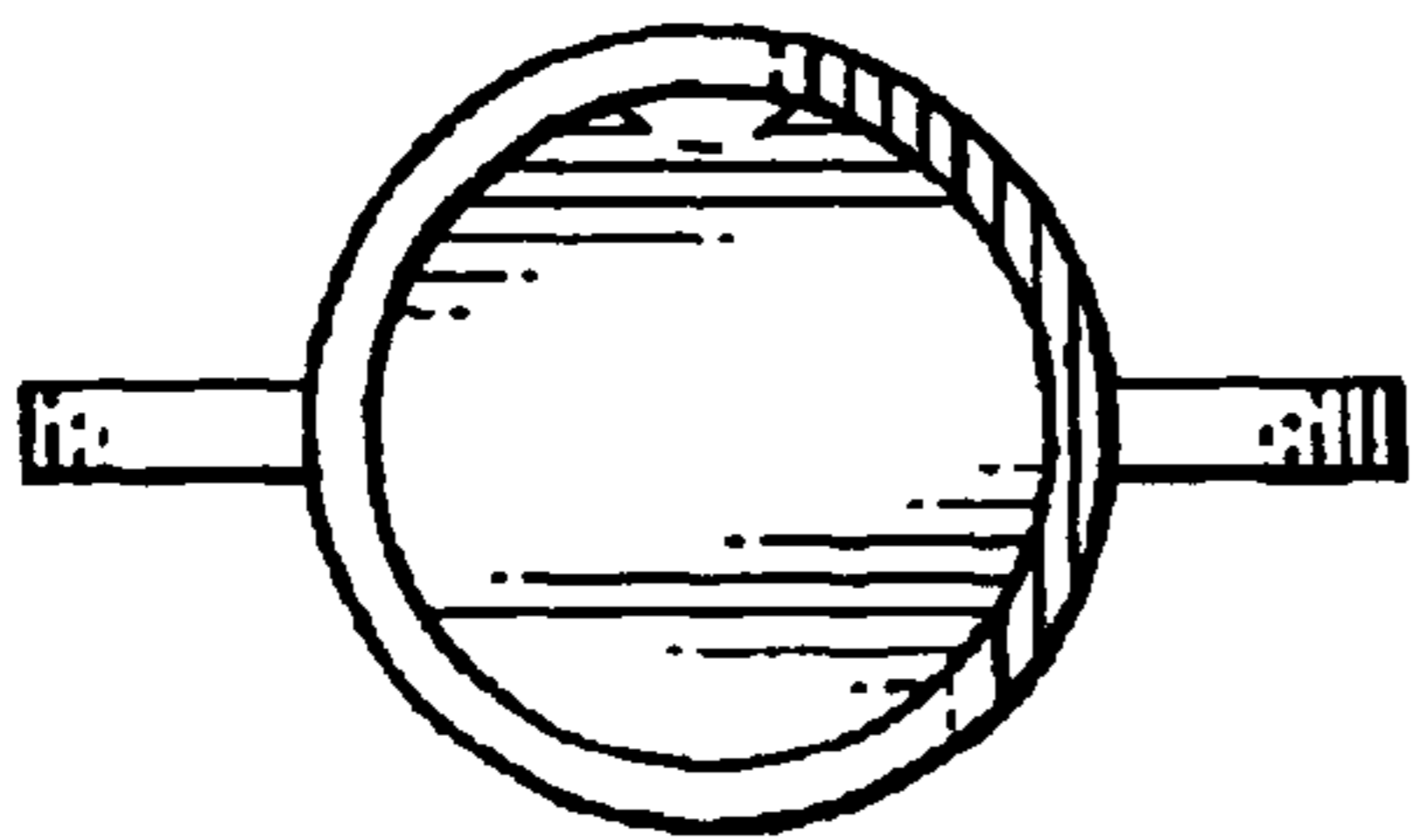


FIG. 5

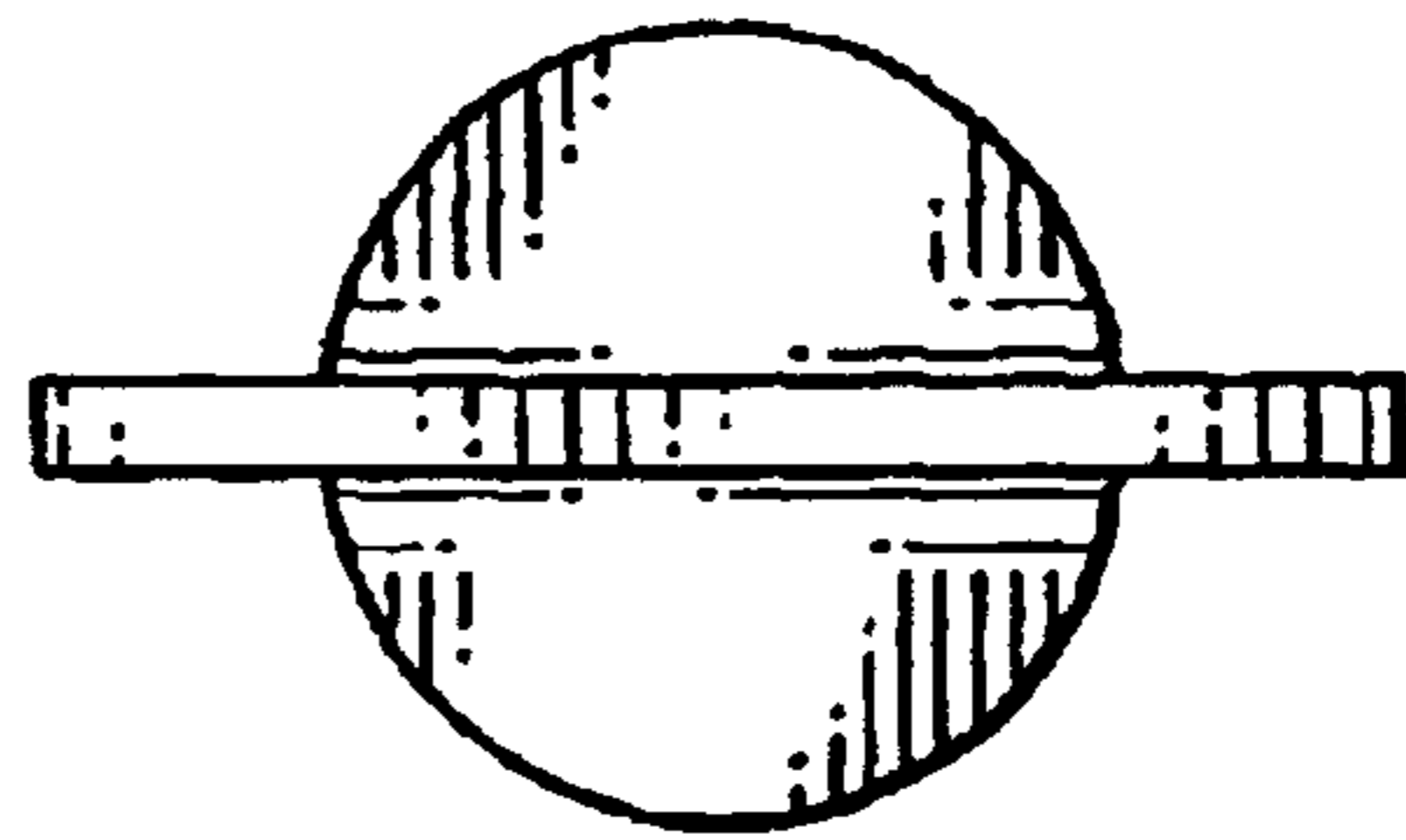


FIG. 6