

US00D497799S1

(12) **United States Design Patent**  
**Koizumi**

(10) **Patent No.:** **US D497,799 S**

(45) **Date of Patent:** **\*\* Nov. 2, 2004**

(54) **WRAPPING BOX**

D317,849 S \* 7/1991 Adams ..... D7/698  
D320,738 S \* 10/1991 Kanda et al. .... D9/341  
D409,906 S \* 5/1999 Hu ..... D9/415

(75) Inventor: **Haruo Koizumi, Kyoto (JP)**

\* cited by examiner

(73) Assignee: **Matsushita Electric Industrial Co., Ltd., Kadoma (JP)**

*Primary Examiner*—Prabhakar Deshmukh

*Assistant Examiner*—Daniel Bui

(\*\*) Term: **14 Years**

(74) *Attorney, Agent, or Firm*—Christensen O'Connor Johnson Kindness PLLC

(21) Appl. No.: **29/176,684**

(22) Filed: **Feb. 24, 2003**

(57) **CLAIM**

(30) **Foreign Application Priority Data**

The ornamental design for a wrapping box, as shown and described.

Aug. 26, 2002 (JP) ..... 2002-022740

**DESCRIPTION**

(51) **LOC (7) Cl.** ..... **09-03**

FIG. 1 is a perspective view of the front, top and right side of a wrapping box showing my new design;

(52) **U.S. Cl.** ..... **D9/341; D9/341**

FIG. 2 is a top plan view thereof;

(58) **Field of Search** ..... D9/341, 347, 348, D9/414, 418, 424, 432, 433; 206/228-229, 349, 352-354; 229/100, 120.02, 122.32

FIG. 3 is an enlarged sectional view taken along line 3-3 in FIG. 2;

(56) **References Cited**

FIG. 4 is a sectional view taken along line 4-4 in FIG. 2;

**U.S. PATENT DOCUMENTS**

FIG. 5 is an enlarged view of a portion of FIG. 1; and,

3,856,137 A \* 12/1974 Brindley ..... 206/564

FIG. 6 is an enlarged view of a portion of FIG. 4.

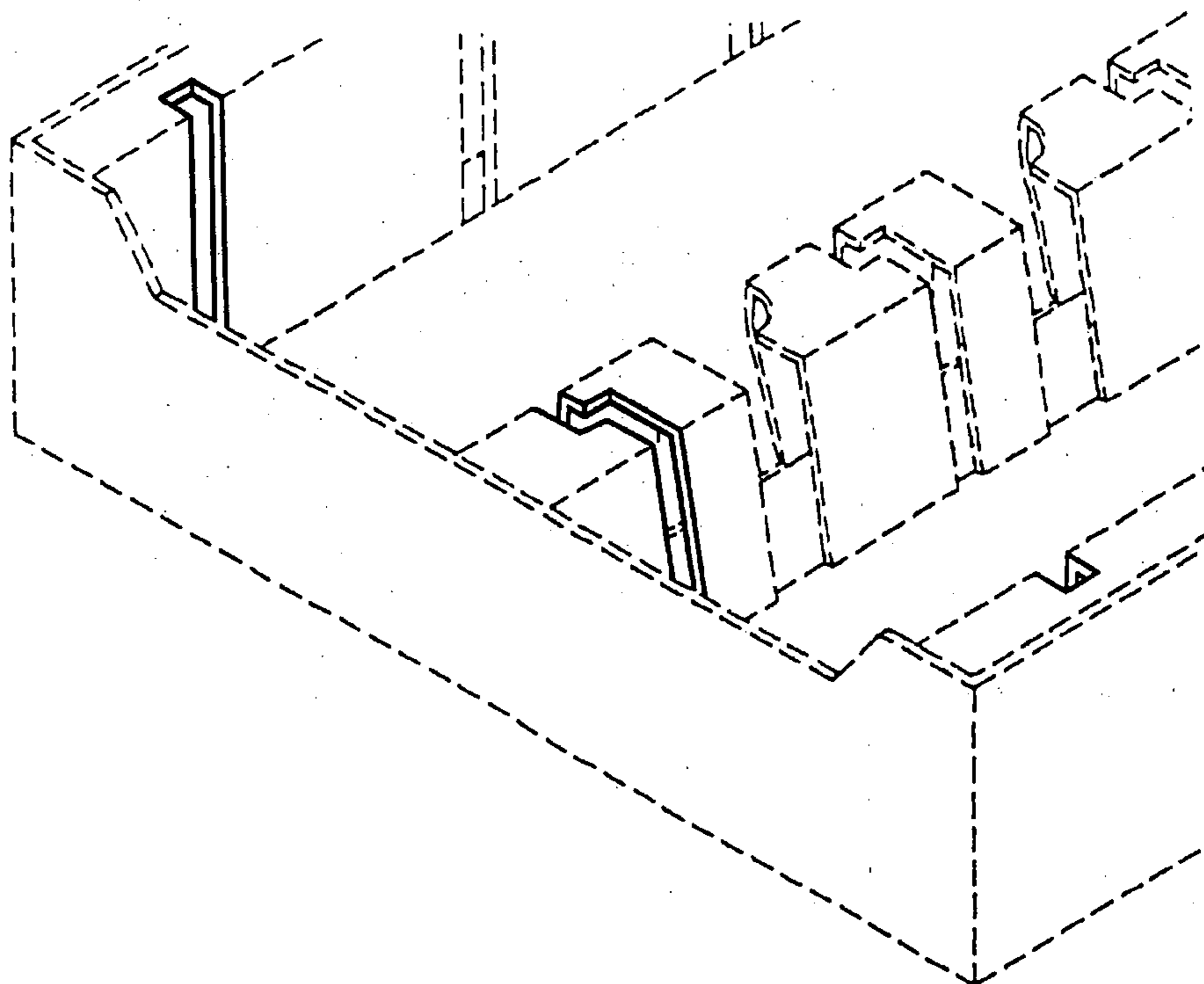
4,023,691 A \* 5/1977 Perel ..... 414/810

The elements shown in phantom lines do not form any part of the claimed design.

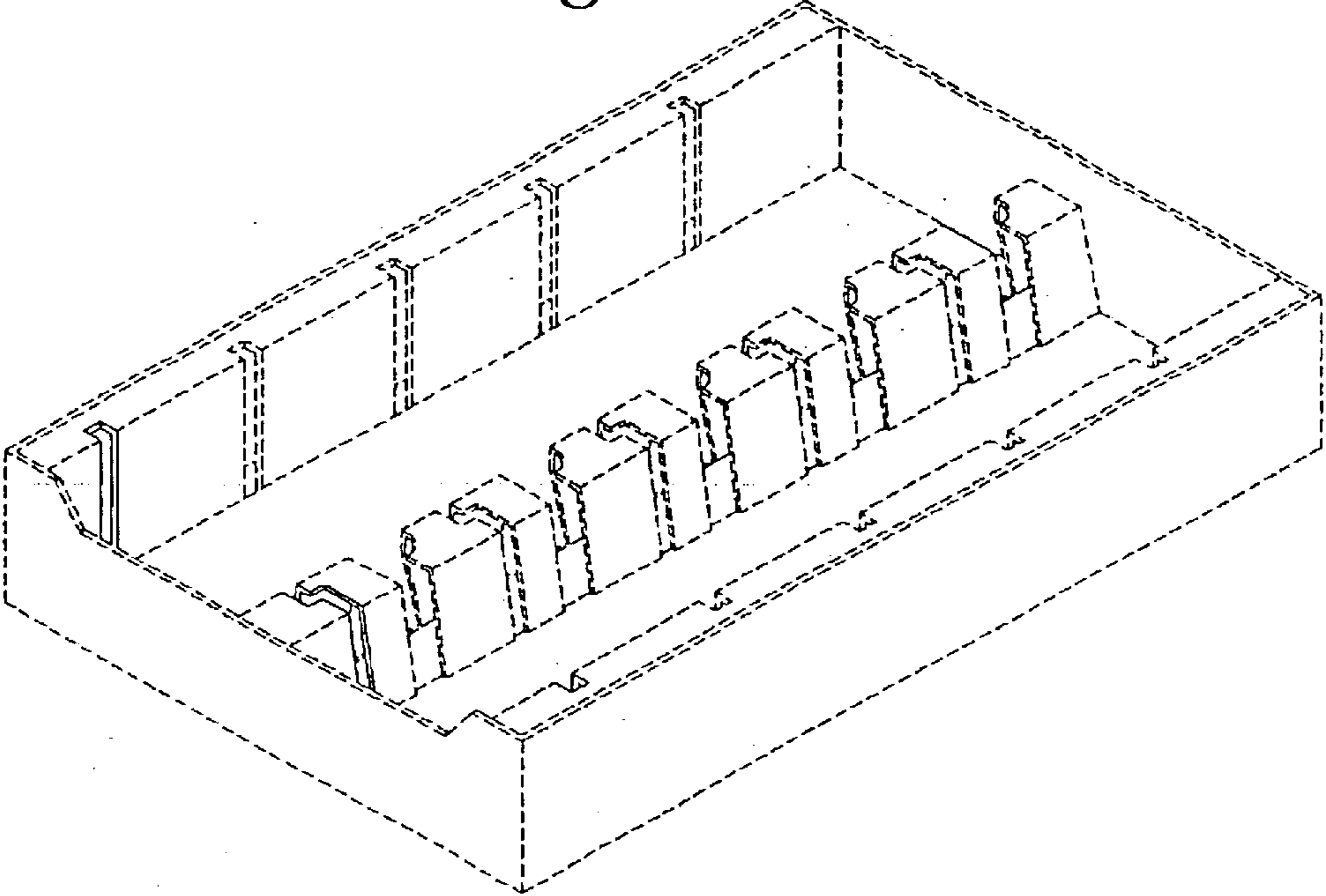
D248,871 S \* 8/1978 Forsman et al. .... D24/230

**1 Claim, 5 Drawing Sheets**

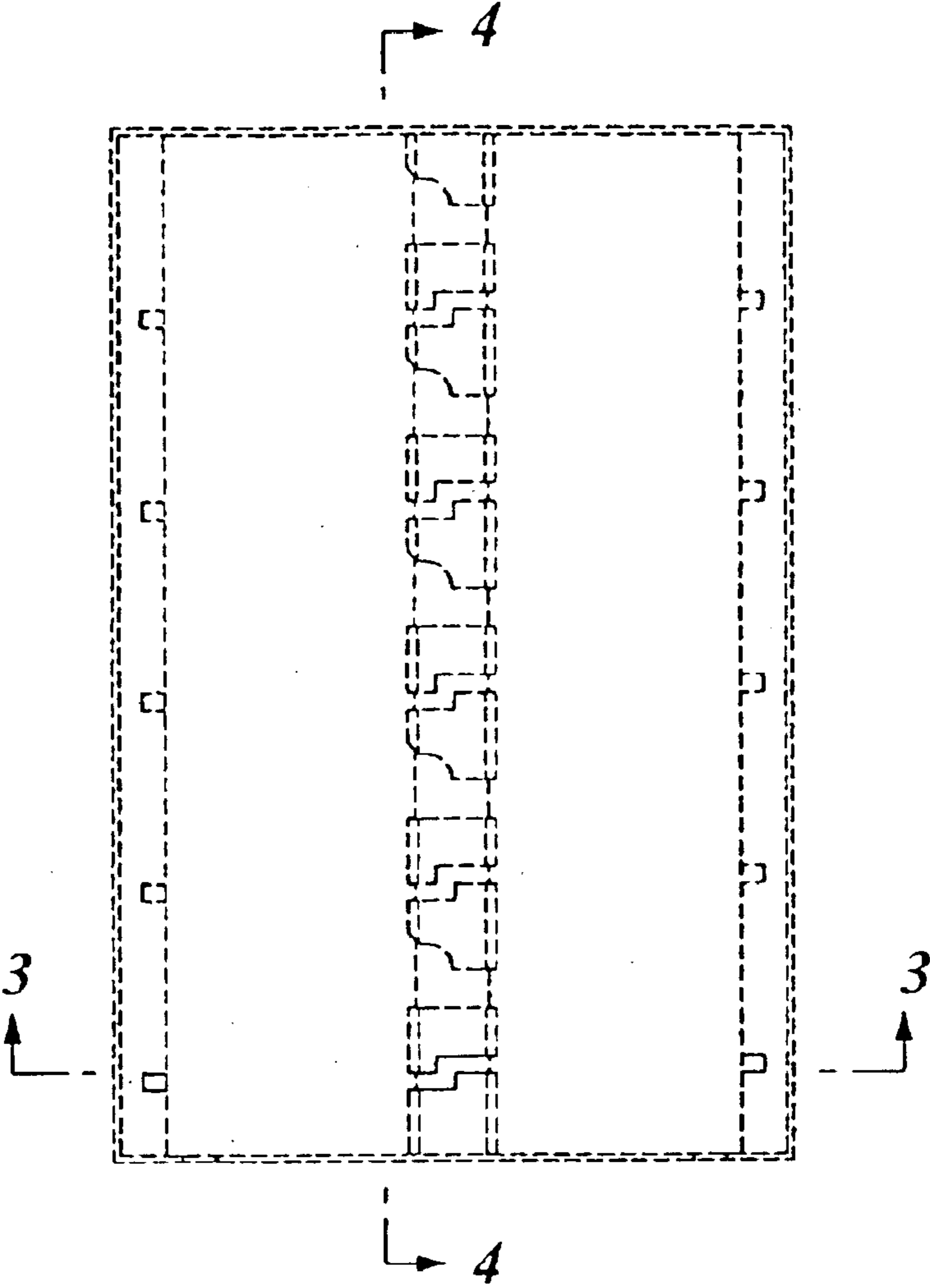
D291,268 S \* 8/1987 Stephenson ..... D6/534

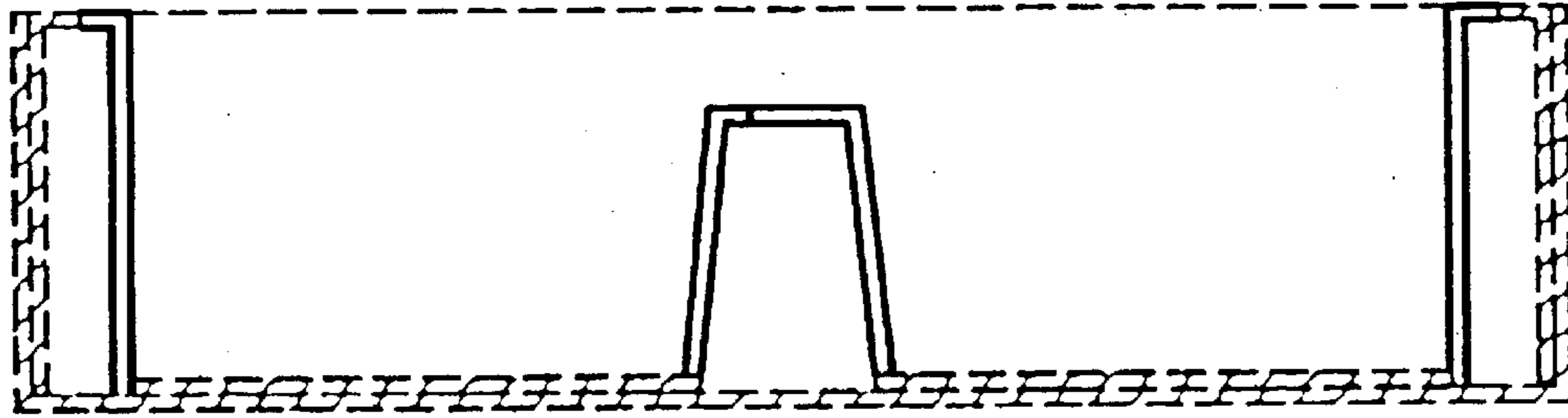


*Fig. 1*

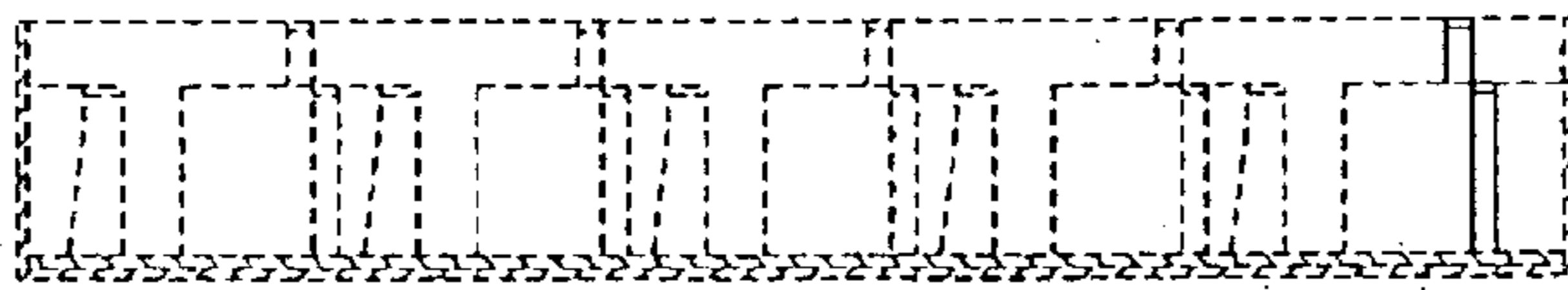


*Fig. 2*

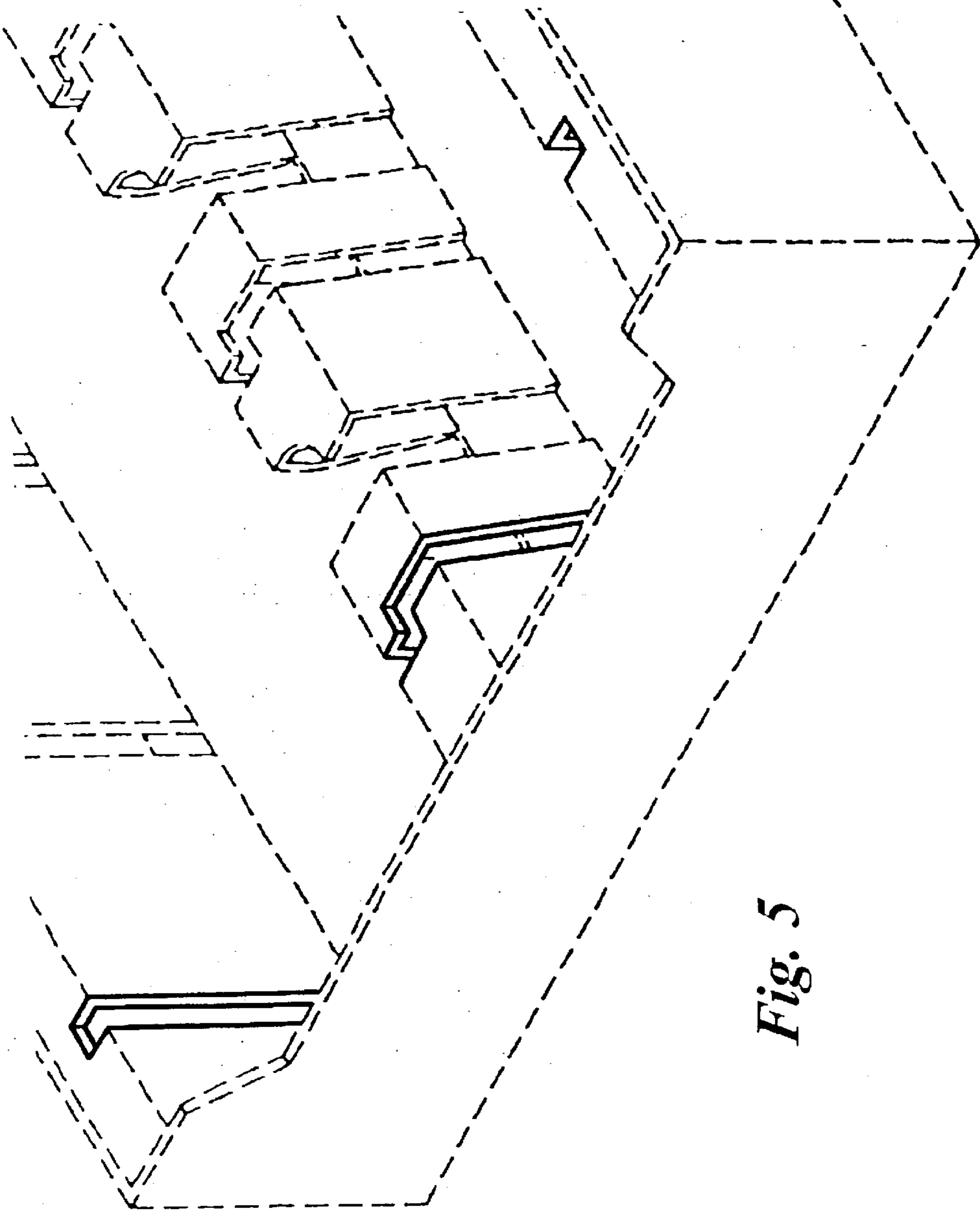




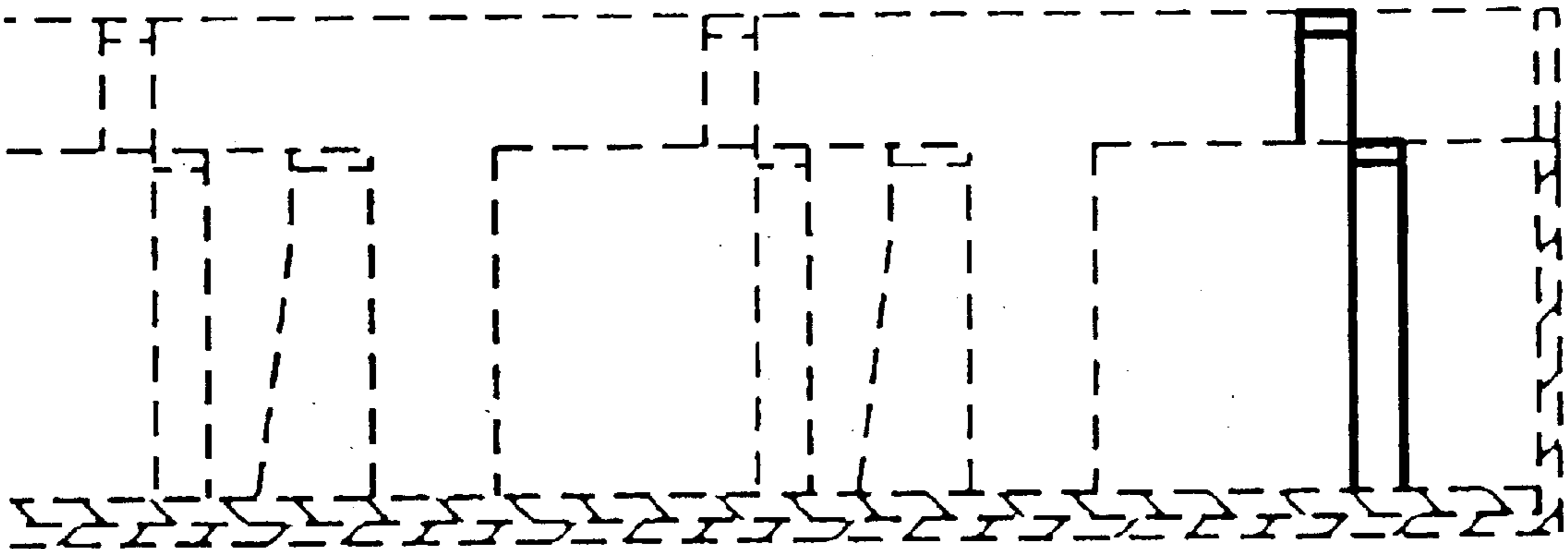
*Fig. 3*



*Fig. 4*



*Fig. 5*



*Fig. 6*