

US00D497795S1

(12) **United States Design Patent** (10) **Patent No.:** **US D497,795 S**
Fling et al. (45) **Date of Patent:** **** Nov. 2, 2004**

(54) **PERFUME BOTTLE** D484,039 S * 12/2003 Dretzka D9/300

(75) Inventors: **John B. Fling**, Jackson Heights, NY (US); **Denise Paglina**, New York, NY (US)

(73) Assignee: **E-L Management Corp.**, New York, NY (US)

(**) Term: **14 Years**

(21) Appl. No.: **29/187,157**

(22) Filed: **Jul. 29, 2003**

(51) **LOC (7) Cl.** **09-01**

(52) **U.S. Cl.** **D9/300**

(58) **Field of Search** D9/300, 503, 516, D9/549, 556, 558, 563, 574, 544, 545; D28/91.1; 215/382, 383, 384; 222/321.1, 321.9, 212-213, 215-257, 384; D6/542-545

(56) **References Cited**

U.S. PATENT DOCUMENTS

- 3,409,184 A * 11/1968 Stengle, Jr. 222/207
- D270,238 S * 8/1983 Vilval D9/504
- D368,858 S 4/1996 Ricci
- D421,384 S * 3/2000 Herrmann D9/300
- D425,785 S 5/2000 Hirato et al.
- D465,149 S * 11/2002 Bennett et al. D9/300

OTHER PUBLICATIONS

Agua de Agatha Ruiz De La Prada, ad copy showing bottle, no date.

Alfred Sung—"Shi", internet catalog page from Sephora, no date.

* cited by examiner

Primary Examiner—Paula A. Greene

(74) *Attorney, Agent, or Firm*—Martin W. Haerter

(57) **CLAIM**

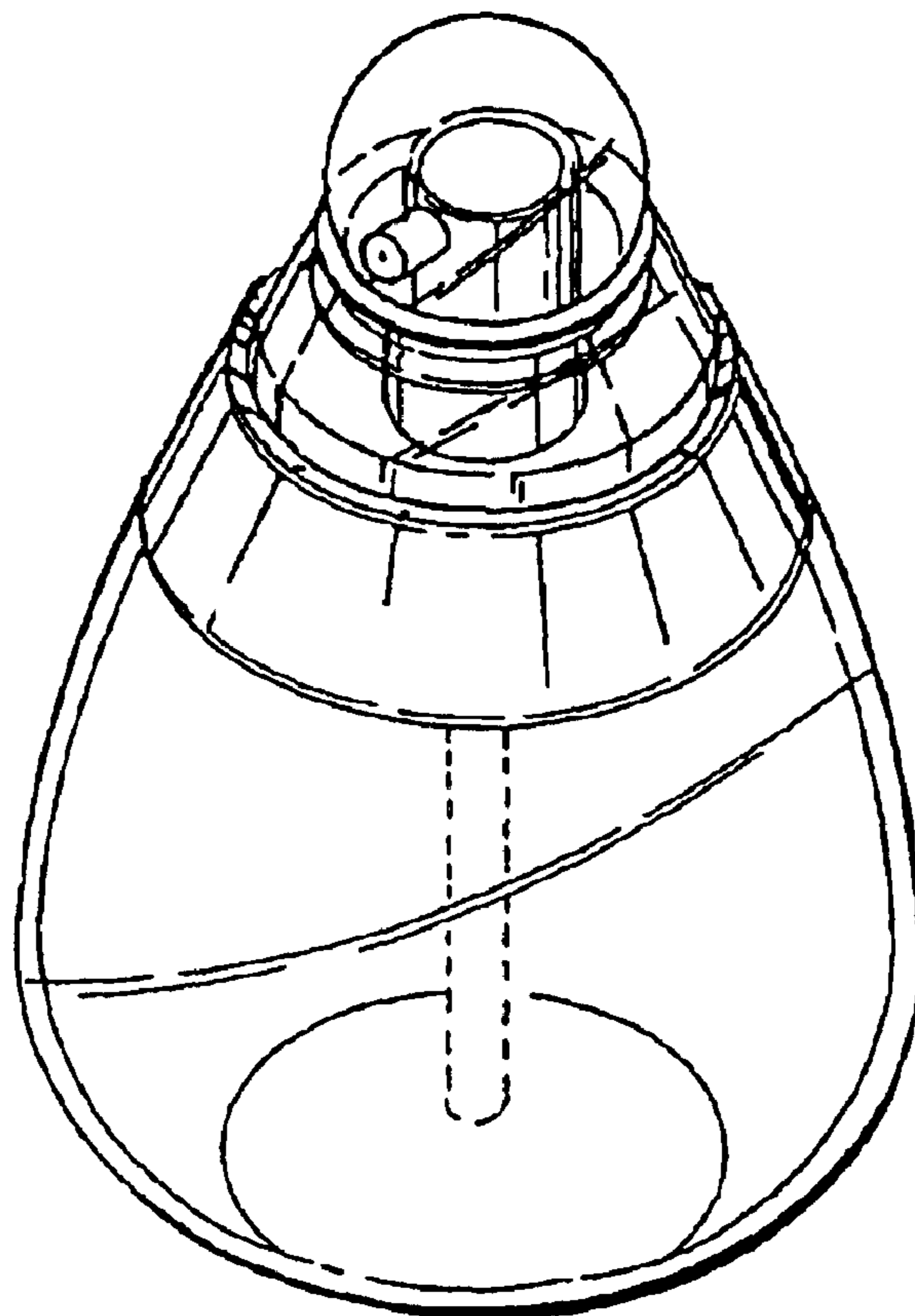
What is claimed is the ornamental design for a perfume bottle, as shown and described.

DESCRIPTION

FIG. 1 is a top, front and right side perspective view of our new design for a combined bottle and cap;
 FIG. 2 is a front elevation view thereof;
 FIG. 3 is a rear elevation view thereof;
 FIG. 4 is a right side elevation view thereof, a left side elevation view being a mirror image thereof;
 FIG. 5 is a top plan view of our new design; and,
 FIG. 6 is a bottom plan view thereof.

Broken lines showing environmental structure are solely for illustrative purposes and form no part of the claimed design.

1 Claim, 2 Drawing Sheets



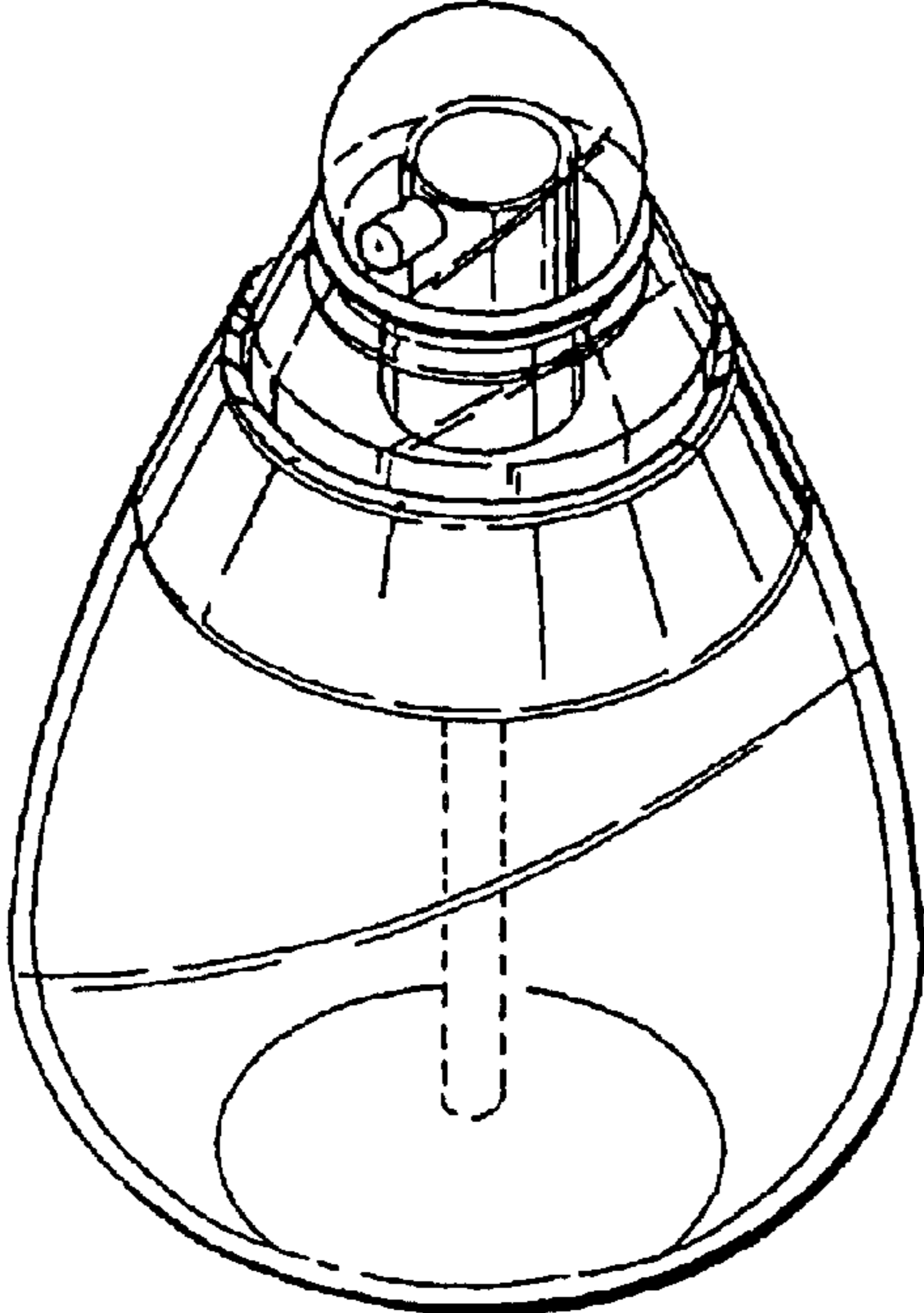


FIG. 1

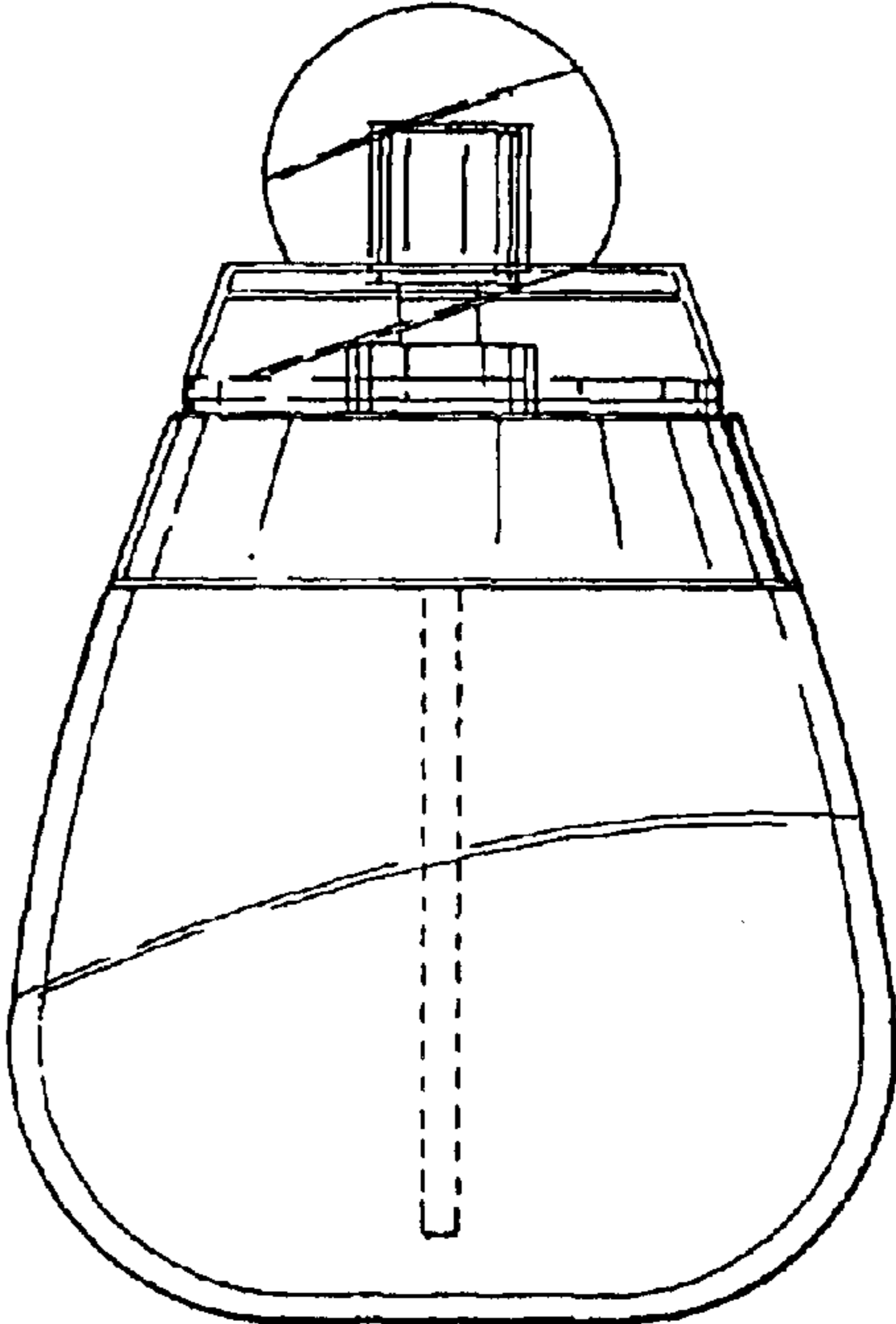


FIG. 3

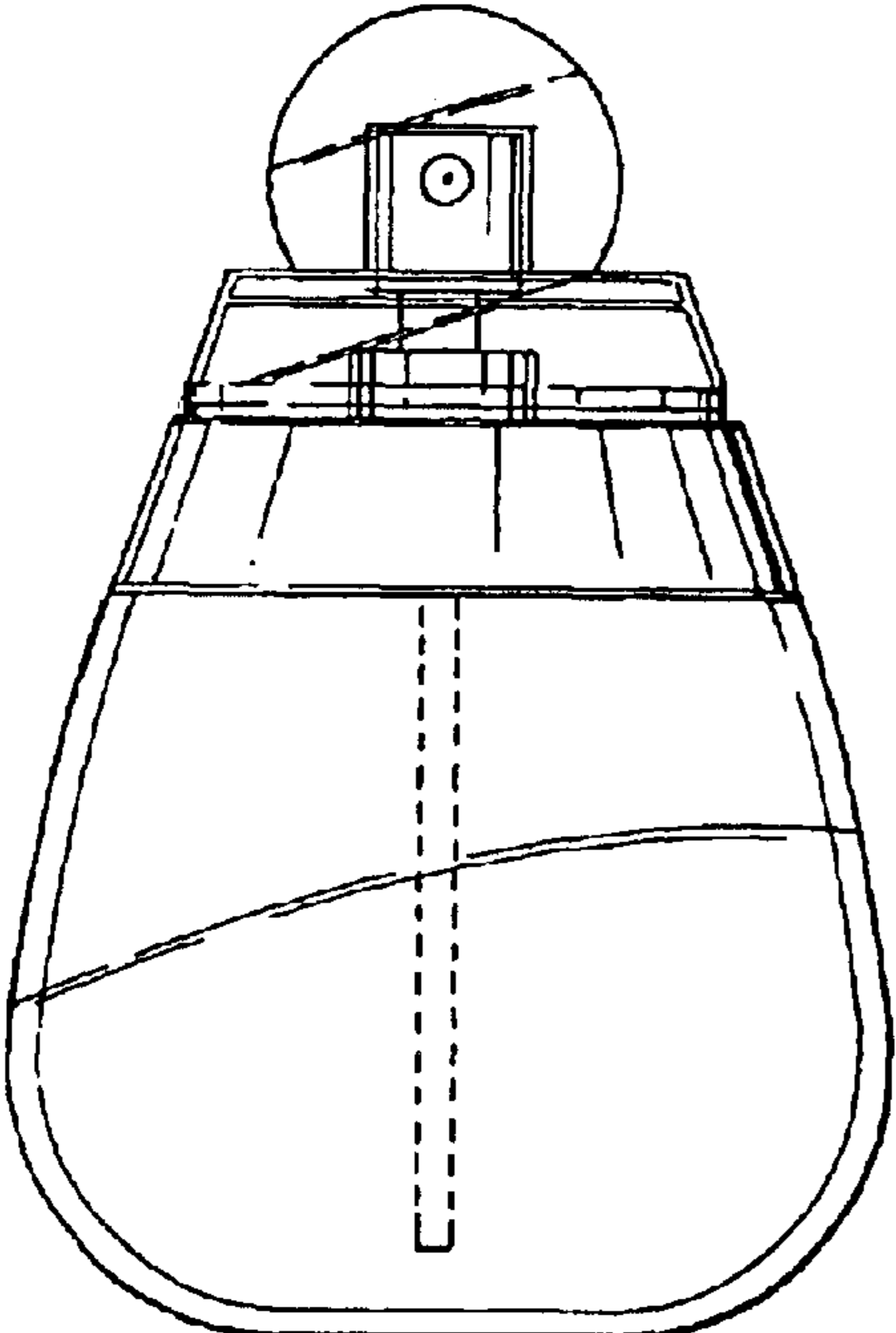


FIG. 2

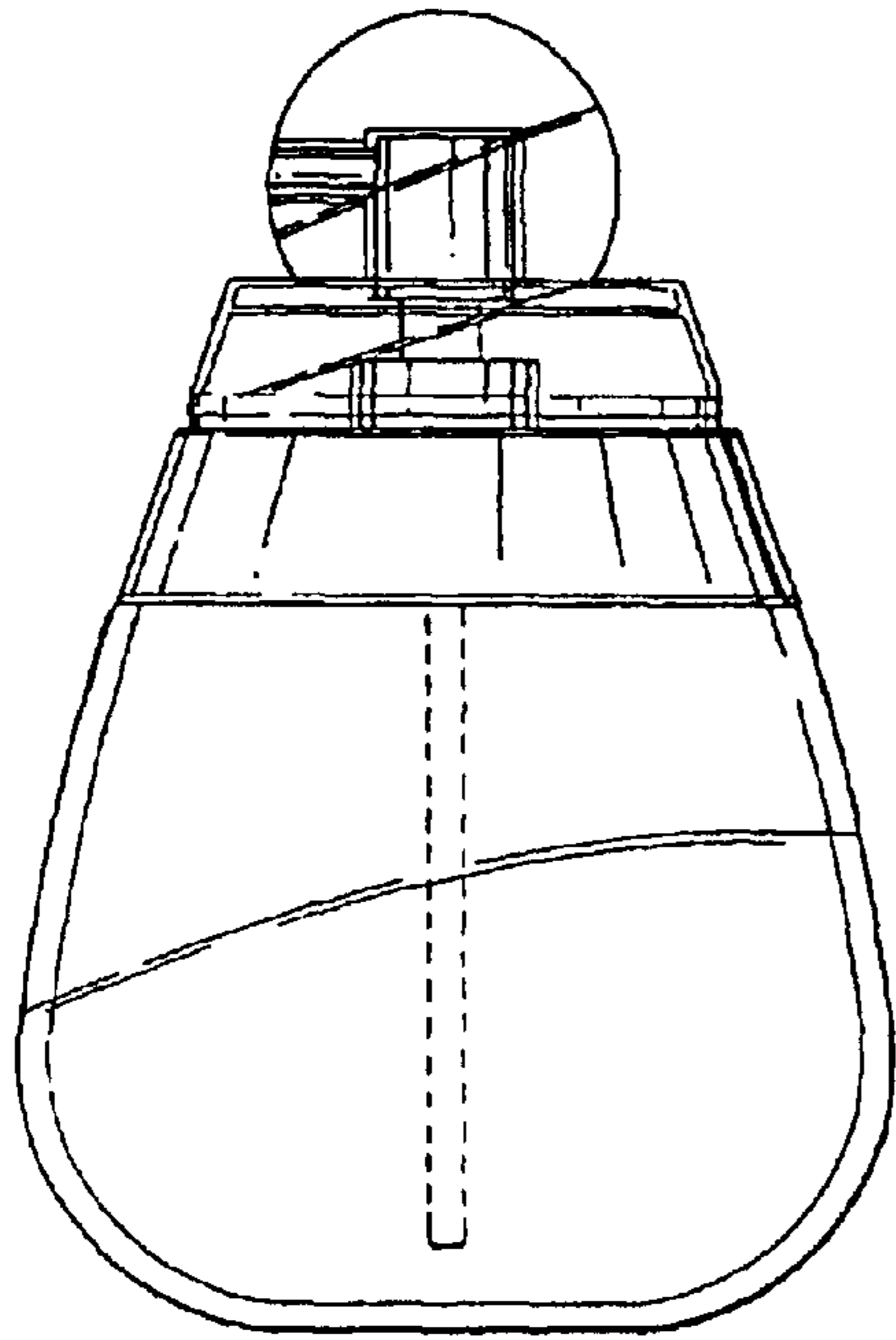


FIG. 4

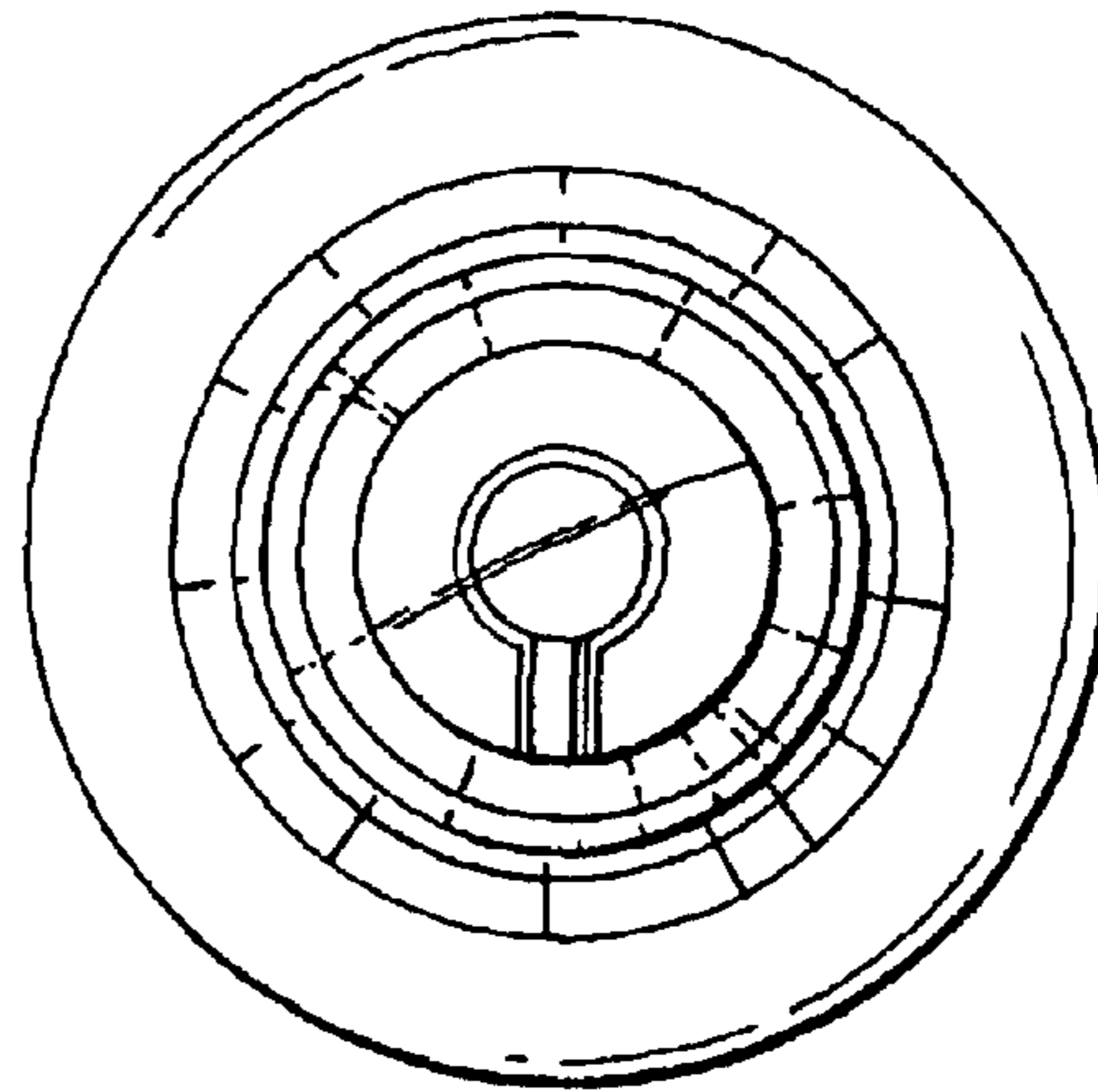


FIG. 5

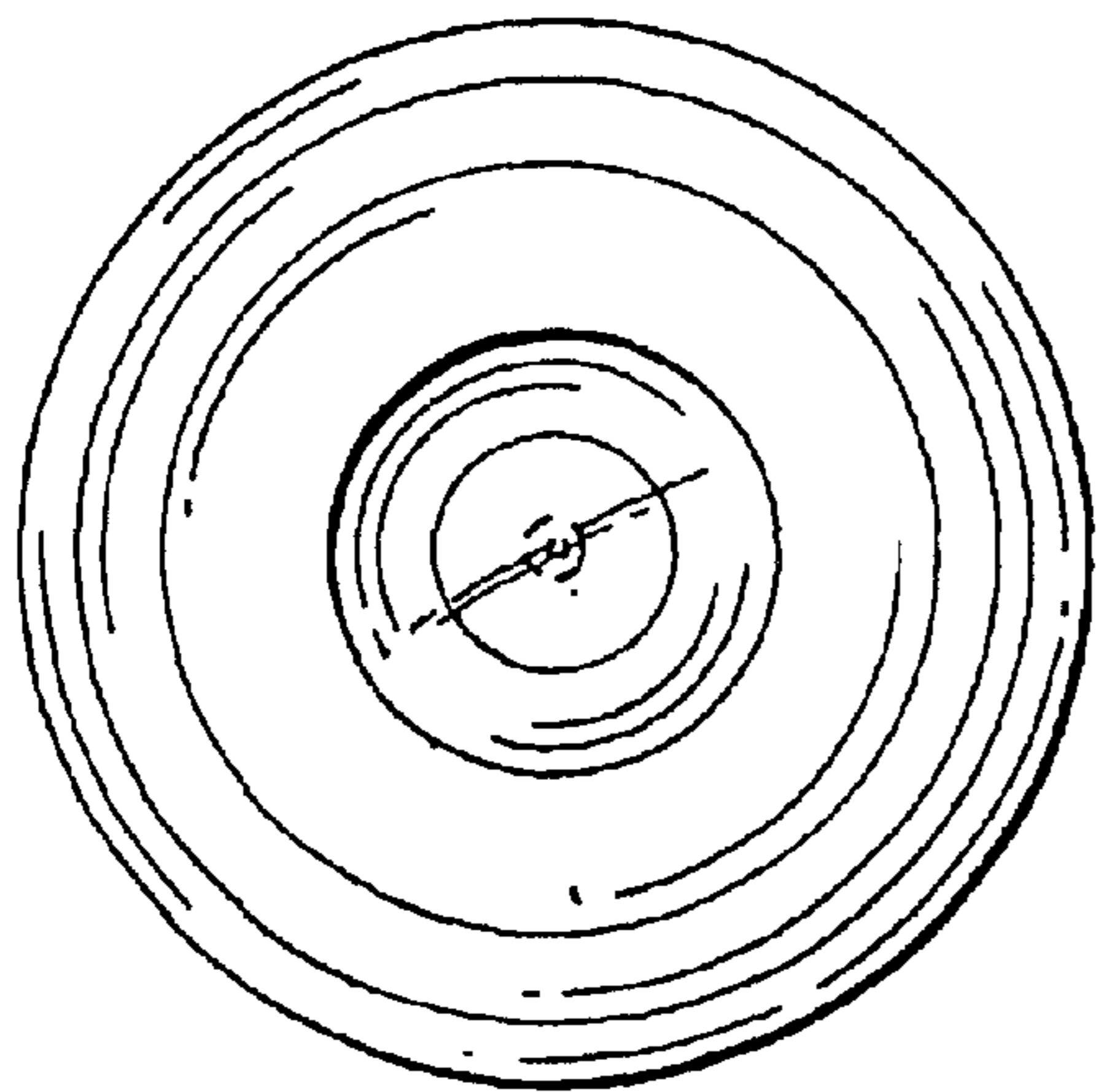


FIG. 6