

US00D497794S1

(12) **United States Design Patent**  
**Anderson et al.**

(10) **Patent No.: US D497,794 S**

(45) **Date of Patent: \*\* Nov. 2, 2004**

(54) **LARGE LOOP HOOK**

(75) Inventors: **Torrence Anderson**, Overland Park, KS (US); **Adam Thomas**, Wheaton, IL (US)

(73) Assignee: **Suncast Corporation**, Batavia, IL (US)

(\*\*) Term: **14 Years**

(21) Appl. No.: **29/202,960**

(22) Filed: **Apr. 6, 2004**

(51) **LOC (7) Cl. .... 08-05**

(52) **U.S. Cl. .... D8/367**

(58) **Field of Search** ..... D8/367, 370; 248/301, 248/304, 220.41, 220.22, 220.31; D6/566

(56) **References Cited**

**U.S. PATENT DOCUMENTS**

D301,406 S	*	6/1989	Barbieri et al. ....	D6/323
D315,860 S	*	4/1991	Joss et al. ....	D8/367
D327,641 S	*	7/1992	Hoskinson et al. ....	D8/370
D406,485 S	*	3/1999	Paikos et al. ....	D6/566

**OTHER PUBLICATIONS**

Gardener's Eden, p. 10, garden caddy circled at bottom of page, Spring 1989.\*

\* cited by examiner

*Primary Examiner*—Holly H. Baynham

(74) *Attorney, Agent, or Firm*—McHale & Slavin, P.A.

(57) **CLAIM**

The ornamental design for a large loop hook, as shown and described.

**DESCRIPTION**

FIG. 1 is a perspective view of the large loop hook of the instant invention;

FIG. 2 is a front elevation view thereof;

FIG. 3 is a rear view thereof;

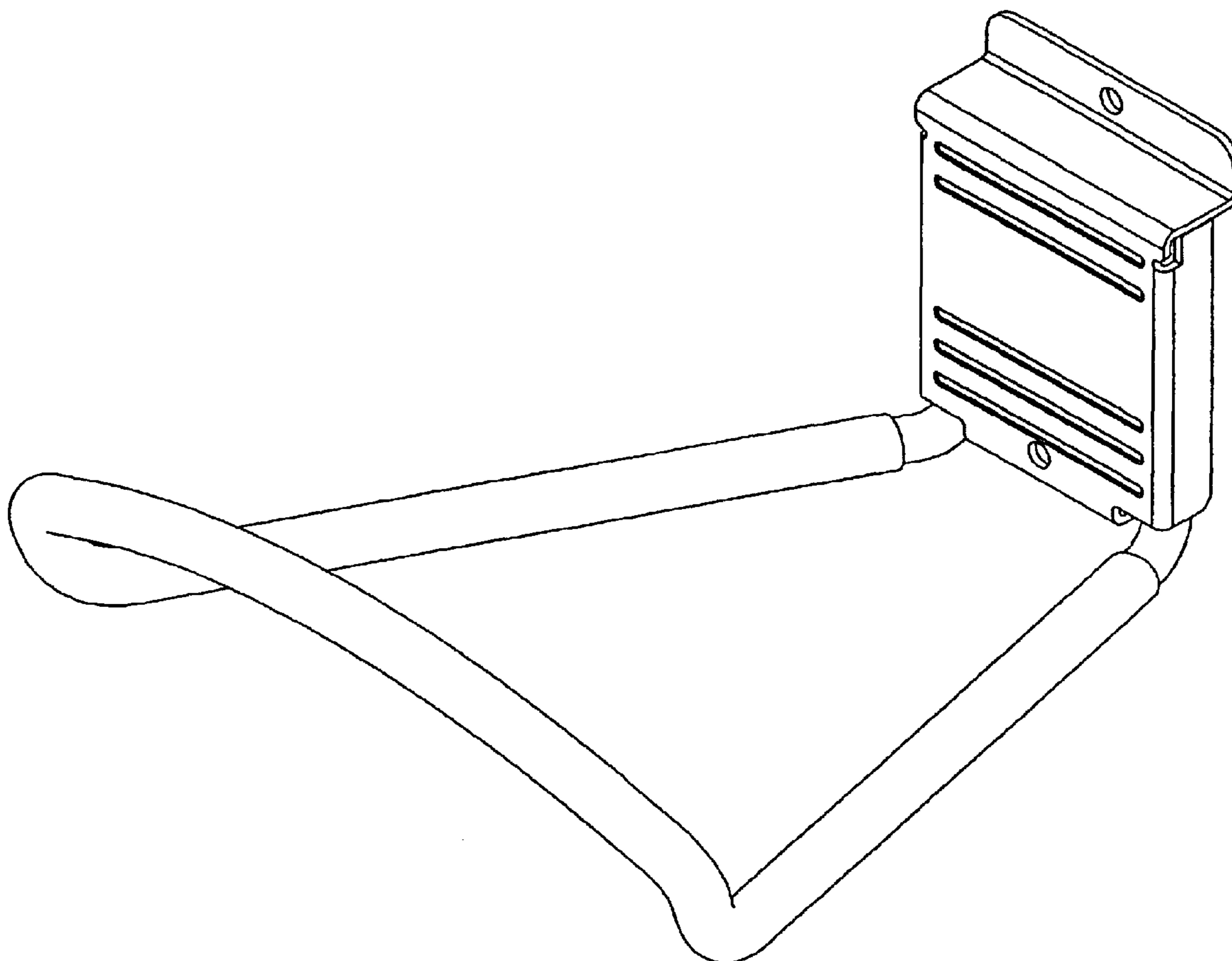
FIG. 4 is a right side view thereof;

FIG. 5 is a left side view thereof;

FIG. 6 is a top view thereof; and,

FIG. 7 is a bottom view.

**1 Claim, 4 Drawing Sheets**



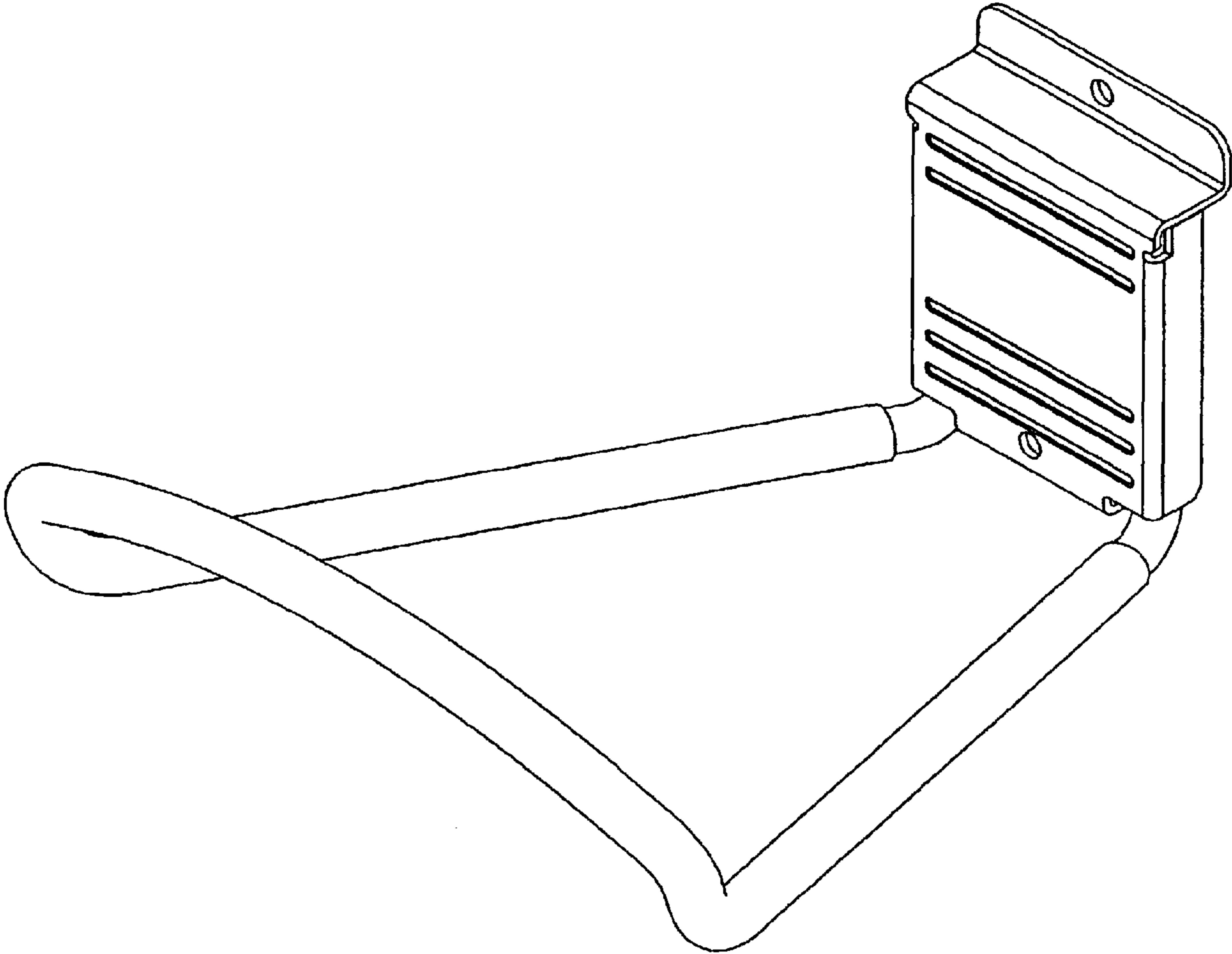


FIGURE 1

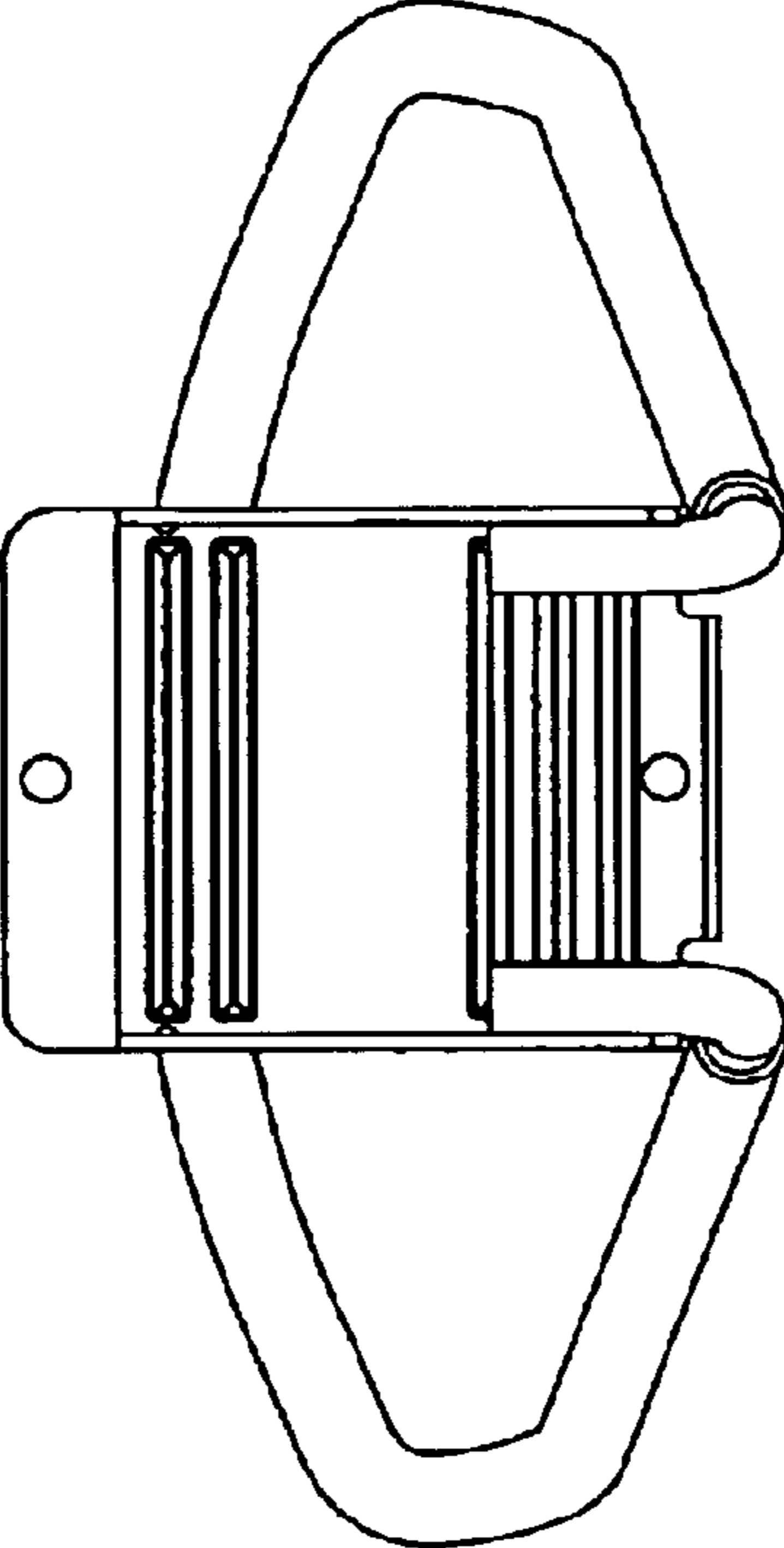


FIGURE 3

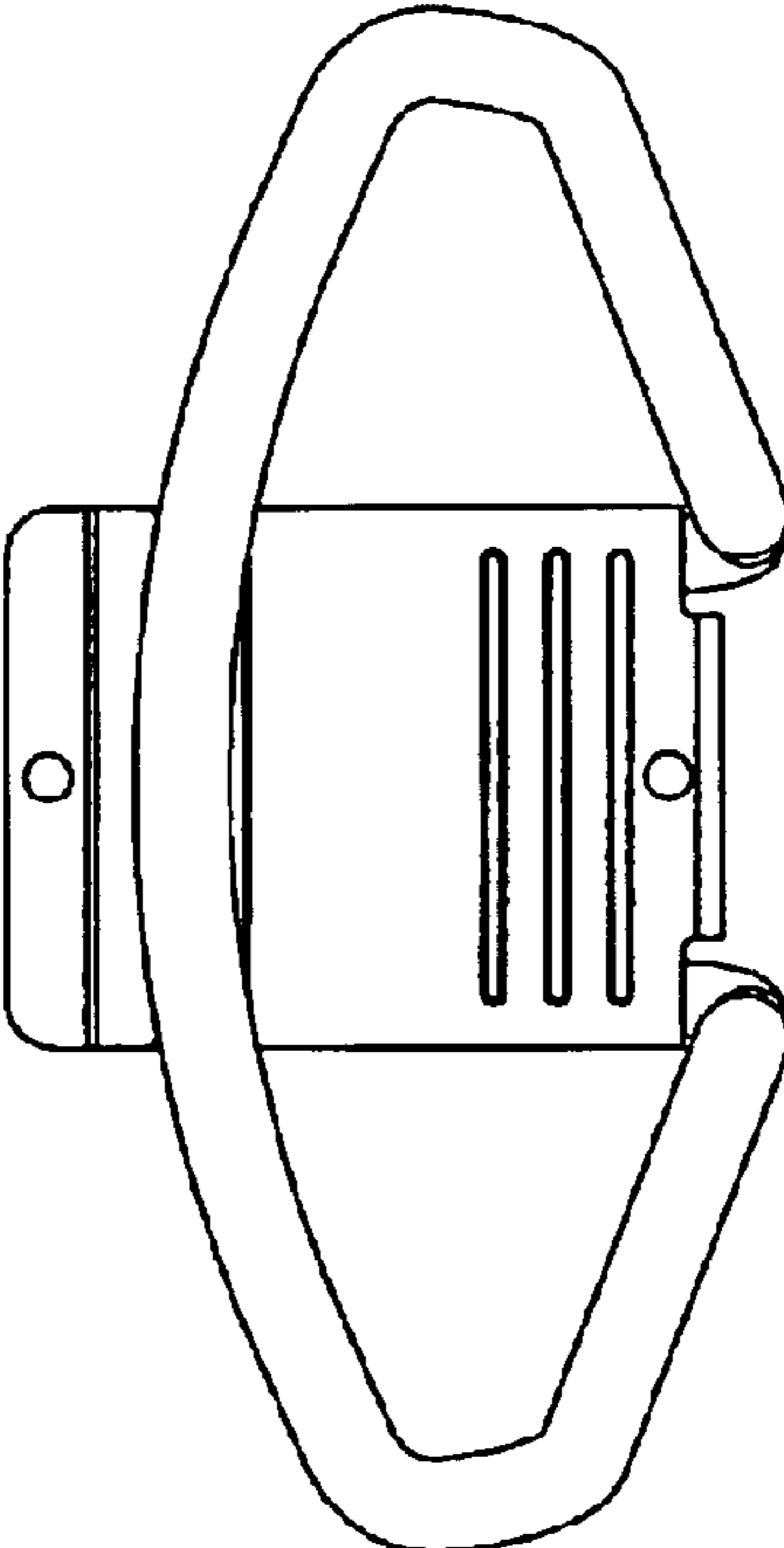
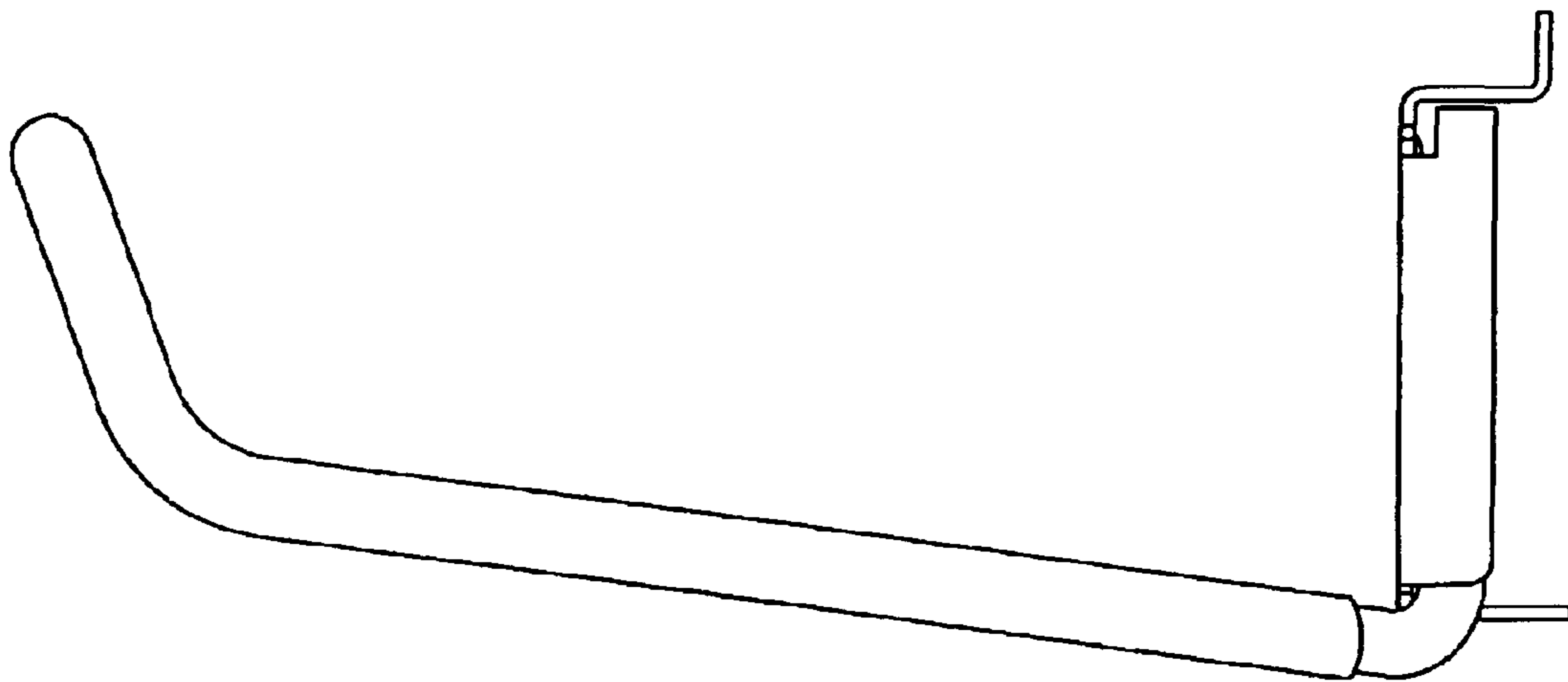


FIGURE 2



**FIGURE 4**



**FIGURE 5**

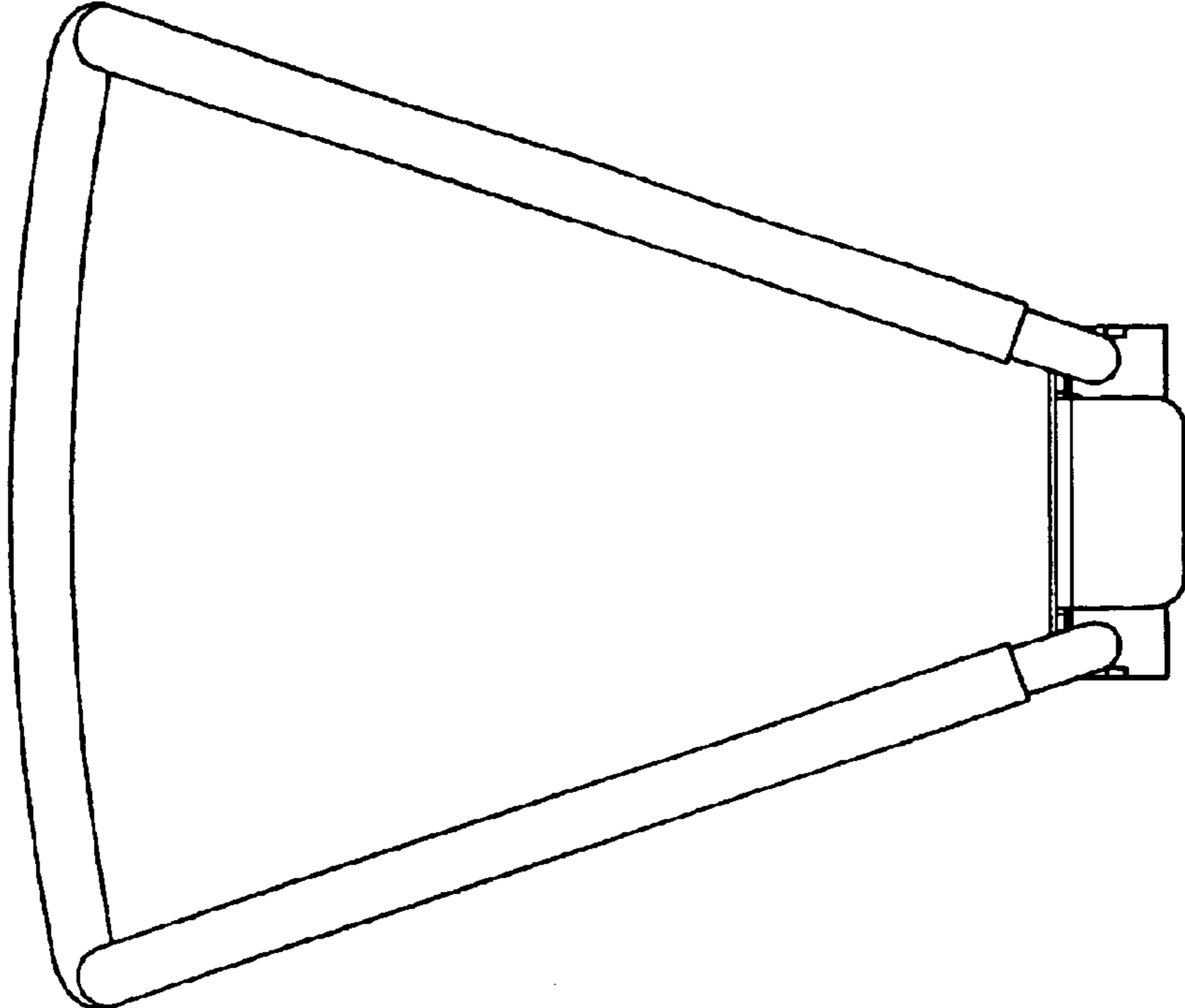


FIGURE 7

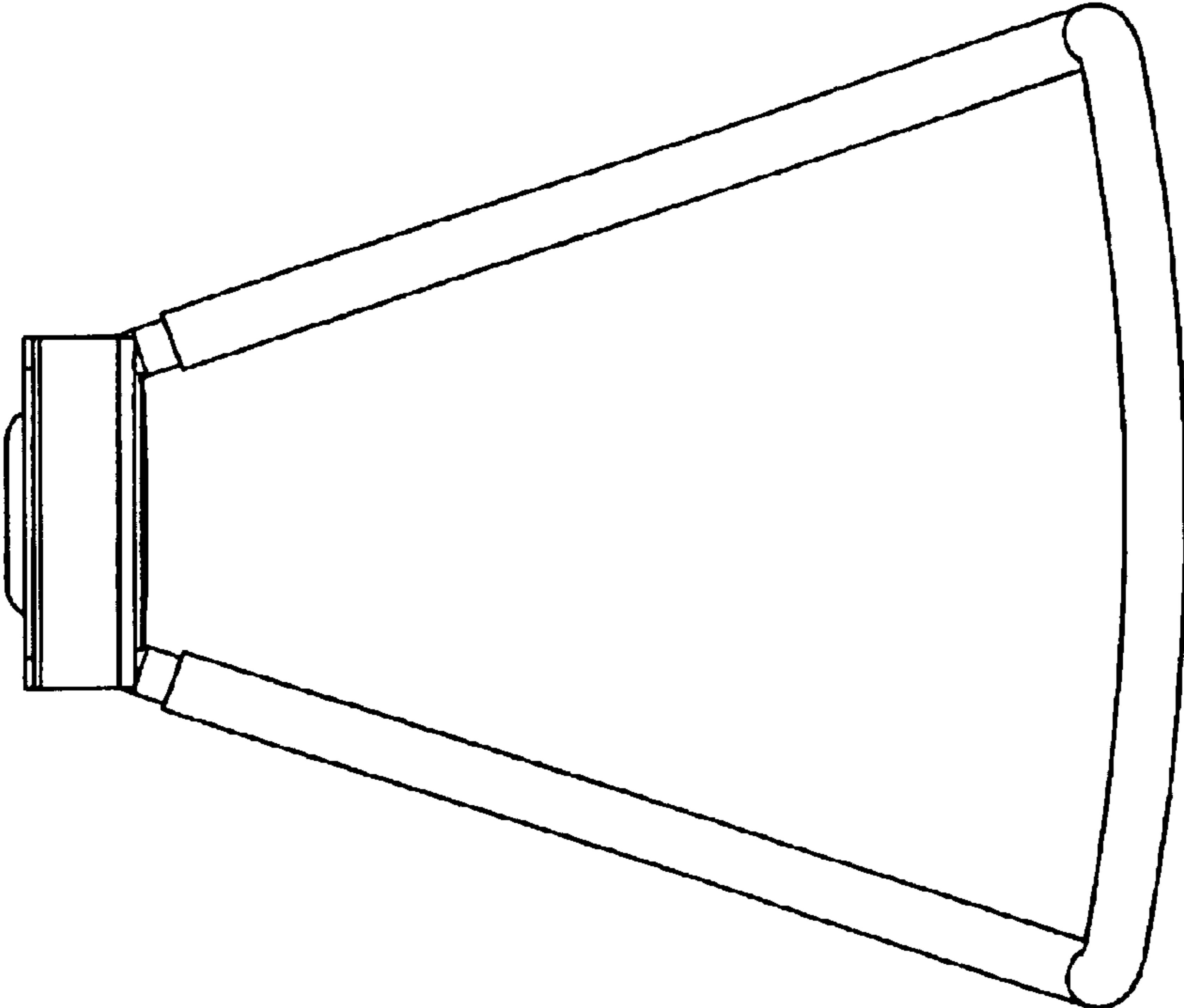


FIGURE 6