

US00D497793S1

(12) **United States Design Patent** (10) **Patent No.:** **US D497,793 S**
Votypka (45) **Date of Patent:** **** Nov. 2, 2004**

(54) **HOSE HOLDER**

D408,269 S 4/1999 Ross
D477,770 S * 7/2003 Baker et al. D8/373

(76) Inventor: **Edward A. Votypka**, 16611 Mohican Trail, Chagrin Falls, OH (US) 44023

OTHER PUBLICATIONS

(**) Term: **14 Years**

U.S. design patent application Ser. No. 29/186,210, not published, Votypka, filed Jul. 11, 2003, Expressly abandoned.

(21) Appl. No.: **29/198,980**

* cited by examiner

(22) Filed: **Feb. 7, 2004**

(51) **LOC (7) Cl.** **08-05**

Primary Examiner—James Gandy
Assistant Examiner—Elizabeth Albert

(52) **U.S. Cl.** **D8/356**

(74) *Attorney, Agent, or Firm*—Dwight A. Stauffer

(58) **Field of Search** D8/356, 394; D22/147;
D23/221, 249, 259; 137/343; 239/276;
248/74.1, 74.2, 75, 76, 79, 80, 82, 83, 87,
89, 121, 518, 534, 535

(57) **CLAIM**

The ornamental design for a hose holder, as shown and described.

(56) **References Cited**

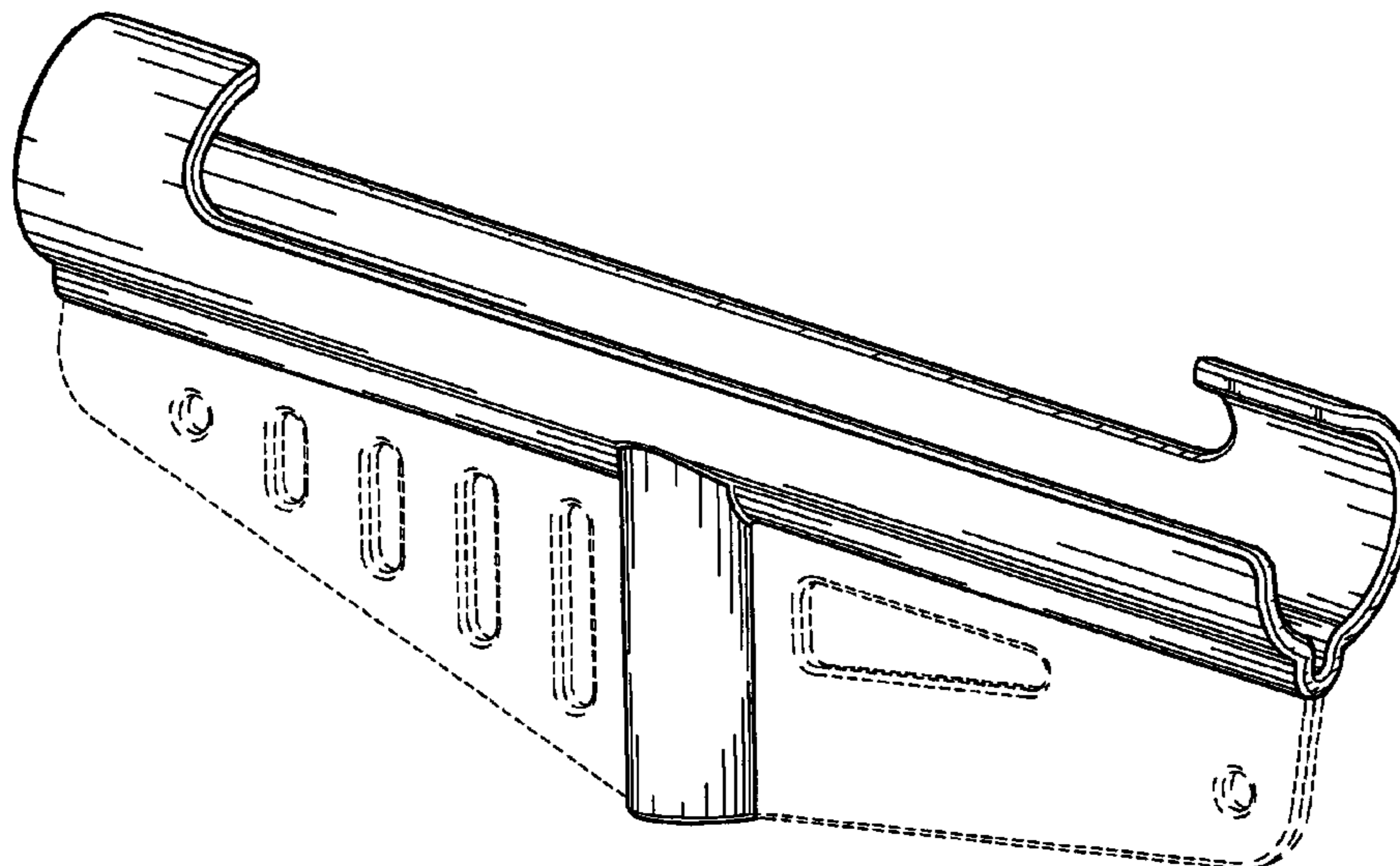
DESCRIPTION

U.S. PATENT DOCUMENTS

1,078,817 A	11/1913	Austin	
1,118,197 A	11/1914	Glass	
1,590,910 A	6/1926	Rumrill	
D100,600 S	* 7/1936	Luff D22/147
2,425,893 A	8/1947	Molitor	
2,495,995 A	1/1950	Warrens et al.	
2,530,873 A	11/1950	Grotz	
2,536,341 A	1/1951	Asher	
D183,553 S	* 9/1958	Bayuk D8/380
2,872,143 A	2/1959	Hendley et al.	
2,942,822 A	6/1960	Crow	
3,119,587 A	1/1964	Anderson	
D263,903 S	4/1982	Johnston	
D281,393 S	* 11/1985	Karnhag et al. D8/373
D285,409 S	9/1986	Lemkin et al.	
4,886,228 A	* 12/1989	Kennedy 248/74.1
D306,681 S	3/1990	Toca, III	
4,944,476 A	7/1990	Olson	
D316,367 S	4/1991	Olson	
5,088,666 A	2/1992	Lang	
5,524,327 A	* 6/1996	Mickel et al. 24/115 A
D375,663 S	* 11/1996	Arnold D8/1
D407,137 S	* 3/1999	Thompson D22/147

The article in which the claimed design is embodied is a hose holder intended for use in holding a hose (e.g., a garden or yard watering hose) while the hose is spraying water out of the hose in a desired direction. Environmentally but not claimed, the hose holder may be mounted on a post.
FIG. 1 is a top, back, left side perspective view of a hose holder showing my new design;
FIG. 2 is a left side elevational view thereof on a reduced scale;
FIG. 3 is a right side elevational view thereof on a reduced scale;
FIG. 4 is a back end elevational view thereof;
FIG. 5 is a front end elevational view thereof;
FIG. 6 is a top plan view thereof;
FIG. 7 is a bottom plan view thereof; and,
FIG. 8 is a left side elevational view of the hose holder on a reduced scale shown in a condition of use.
The portions of FIGS. 1–5 and 7–8 that are drawn with broken lines are for environmental purposes only, and do not constitute part of the claimed design.

1 Claim, 5 Drawing Sheets



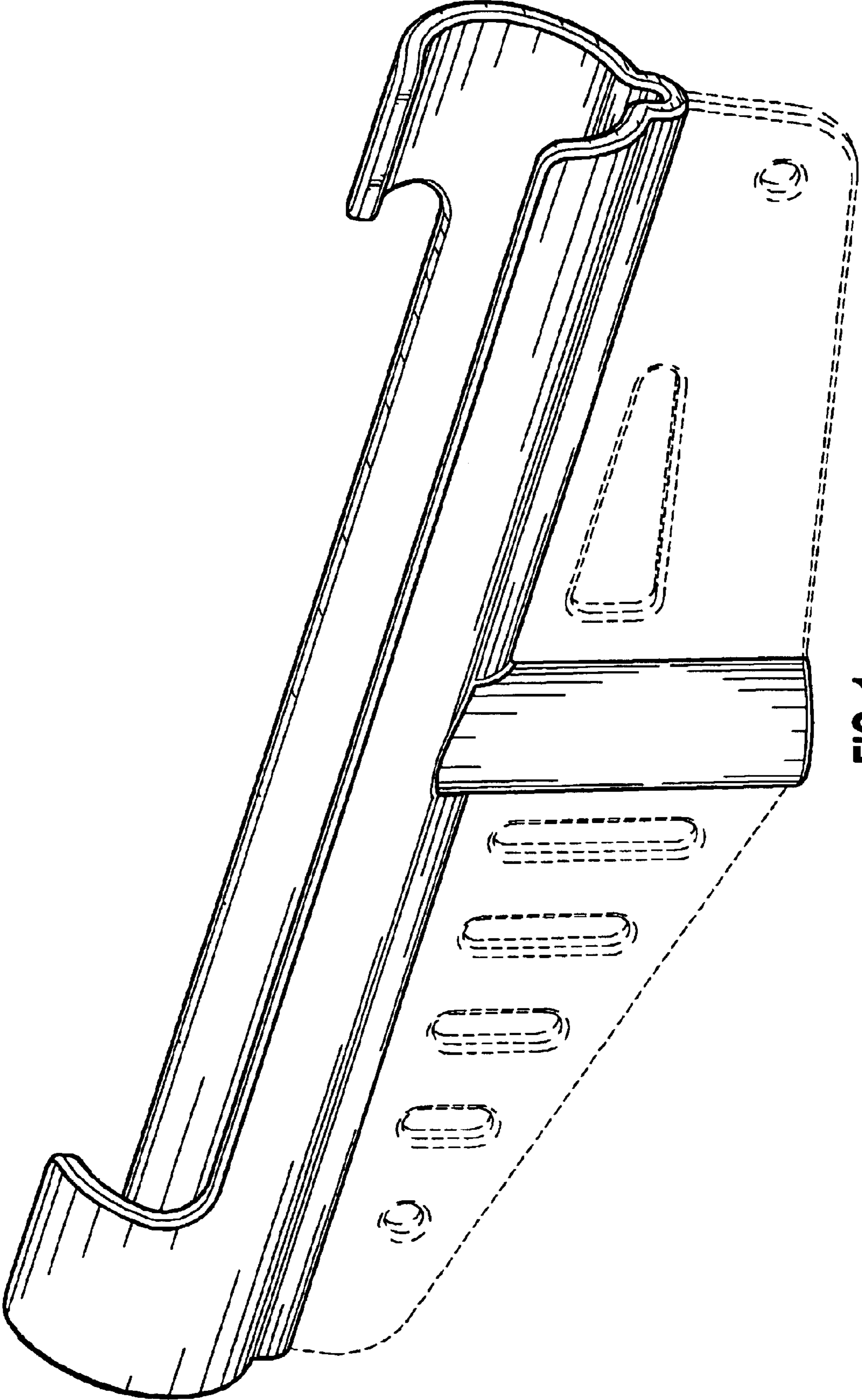


FIG. 1

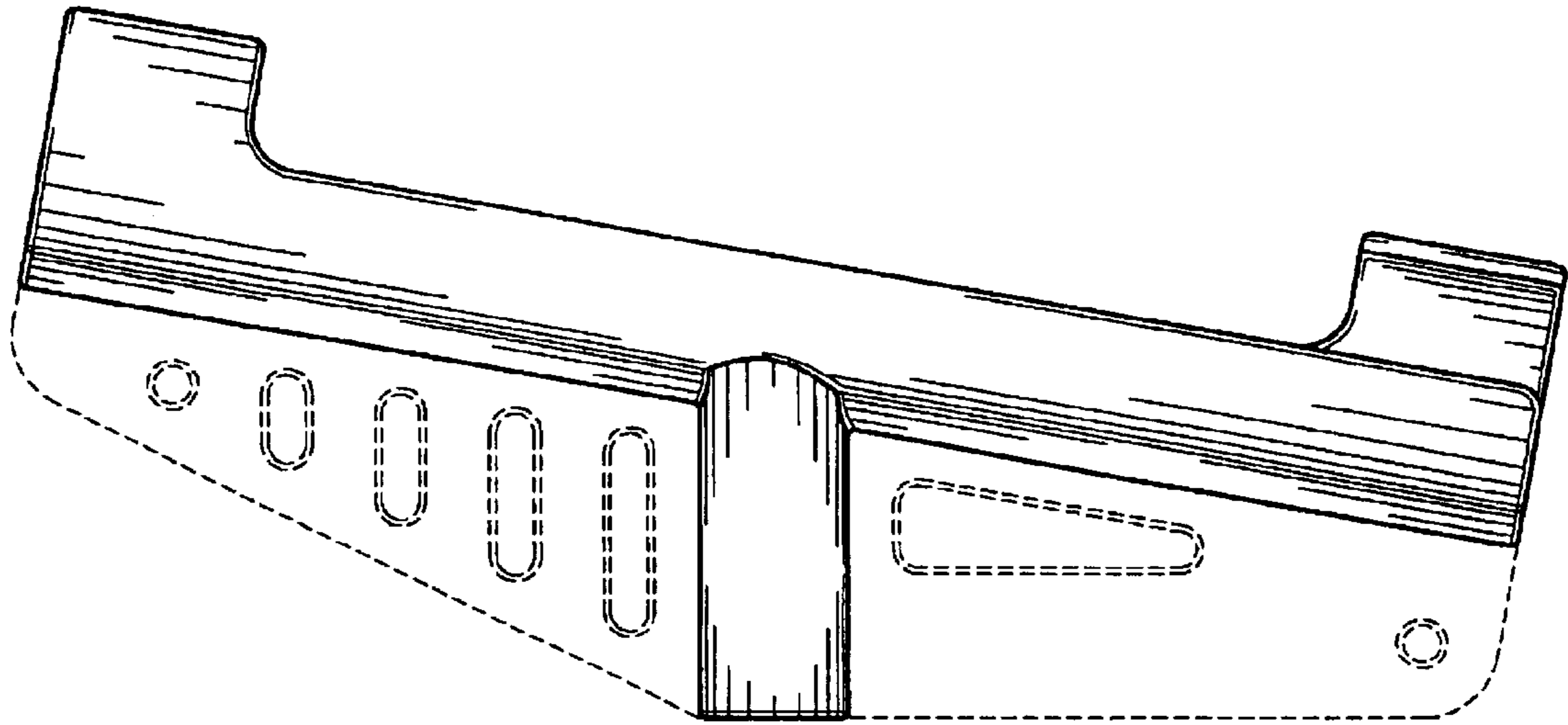


FIG. 2

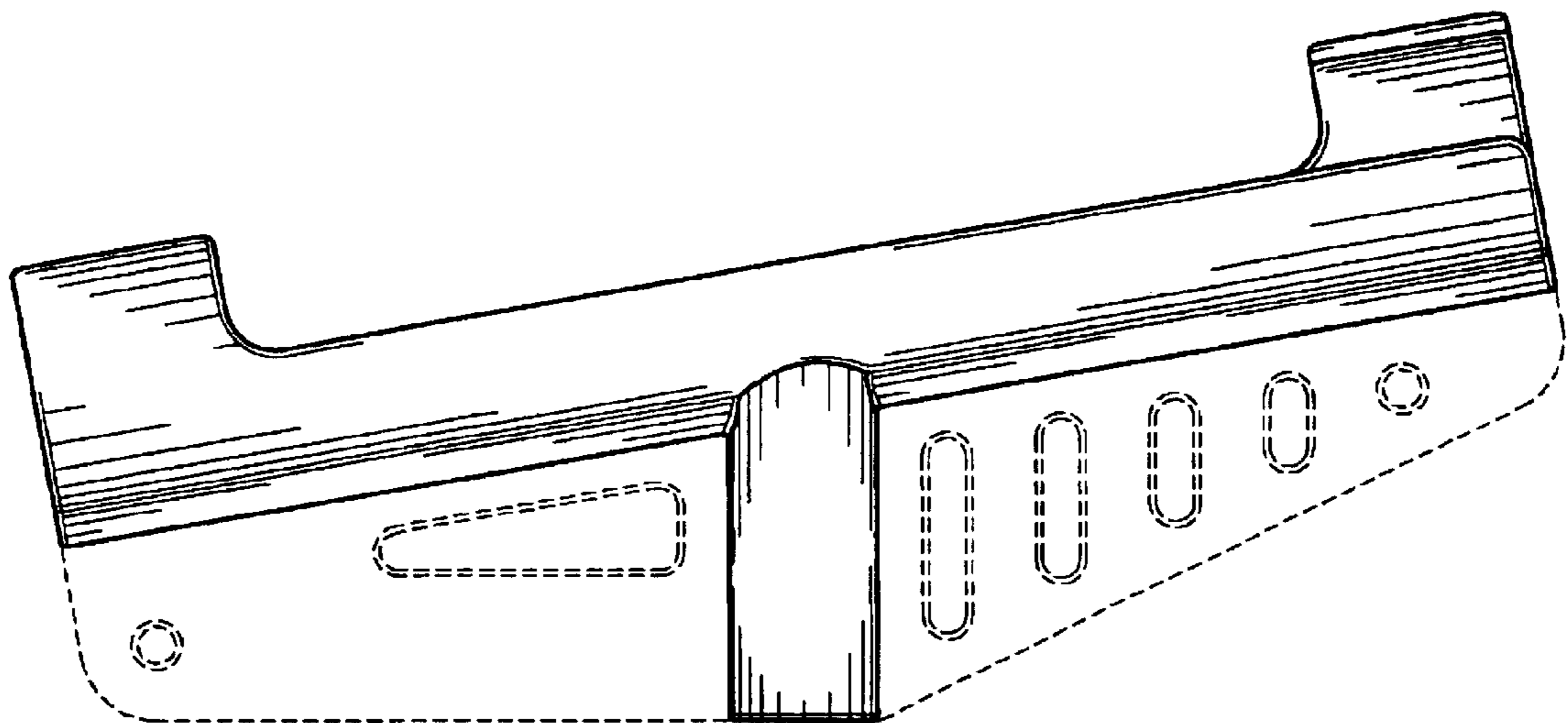


FIG. 3

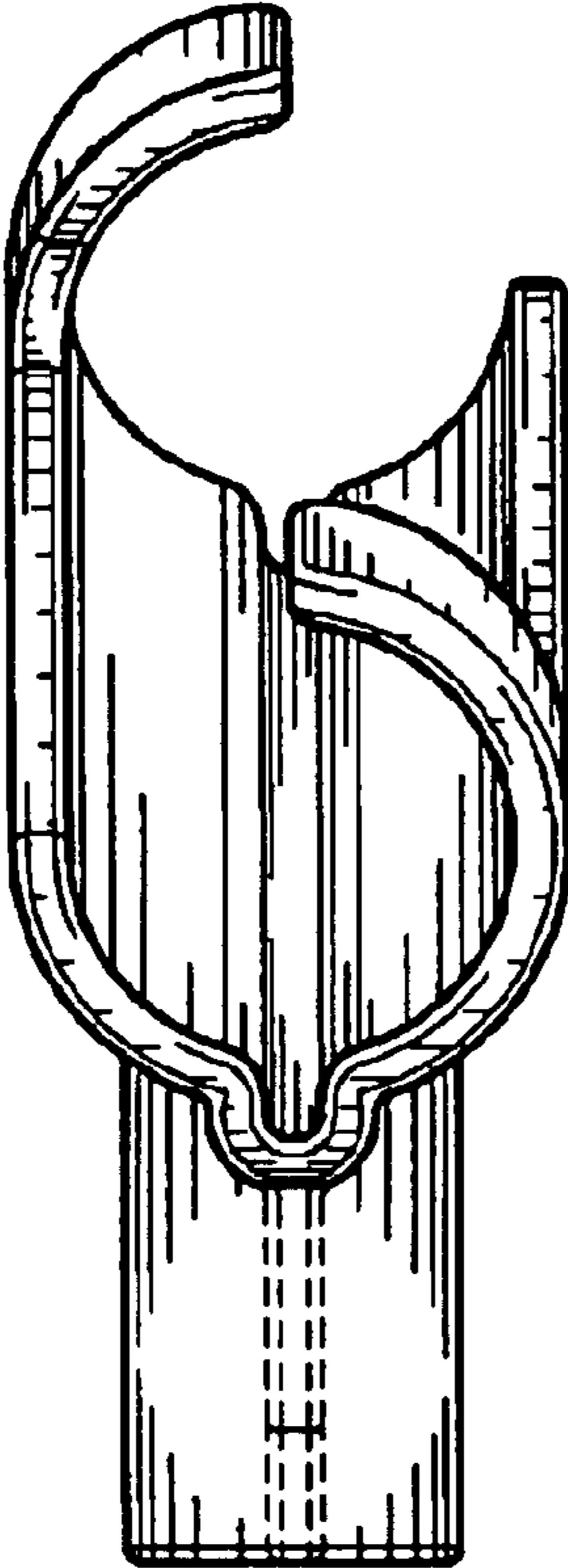


FIG. 4

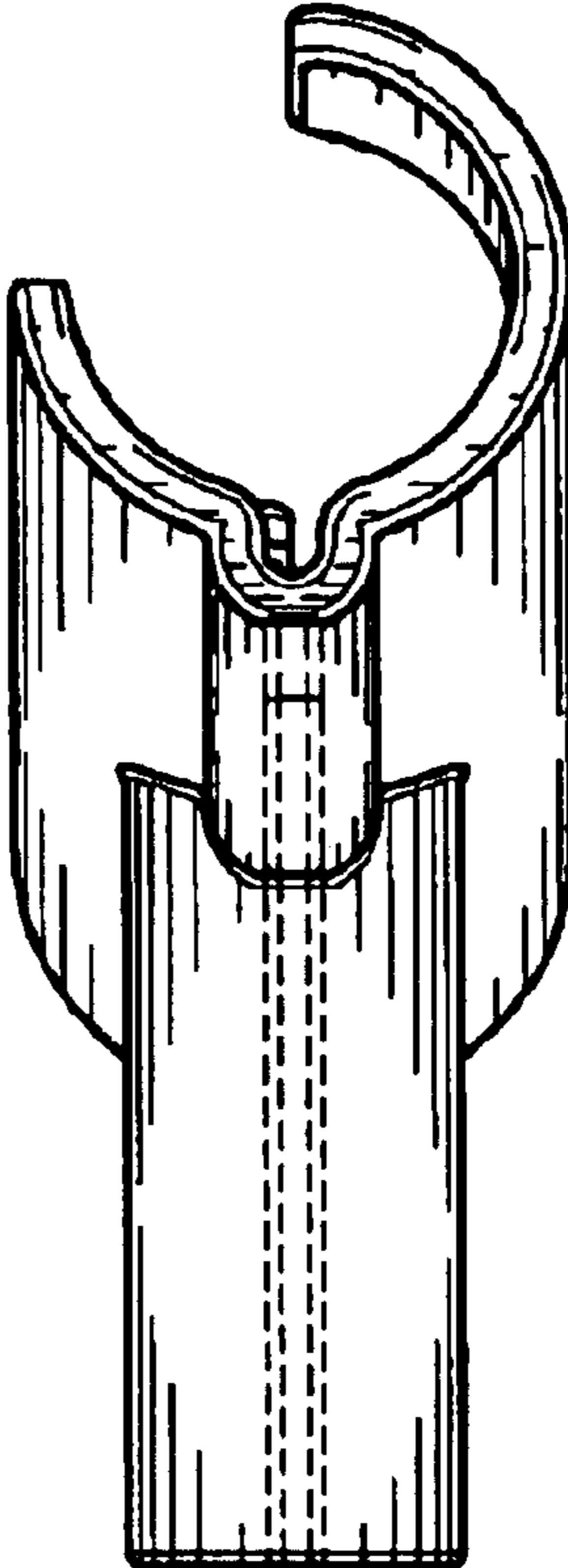


FIG. 5

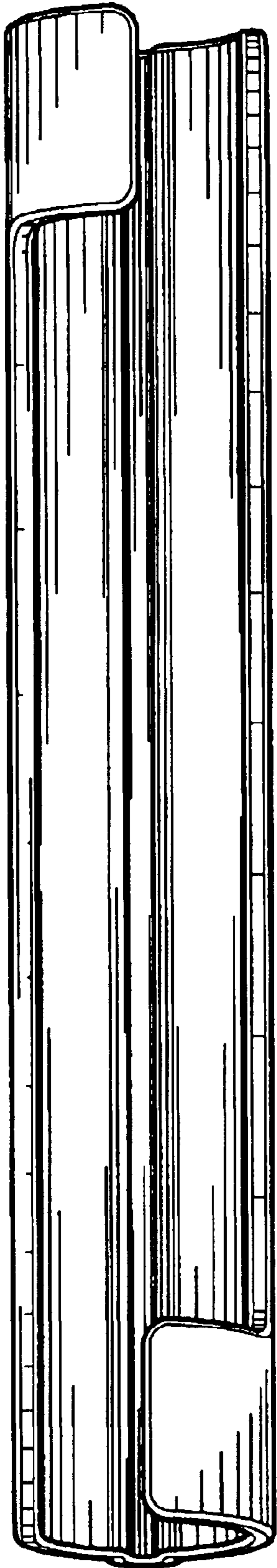


FIG. 6

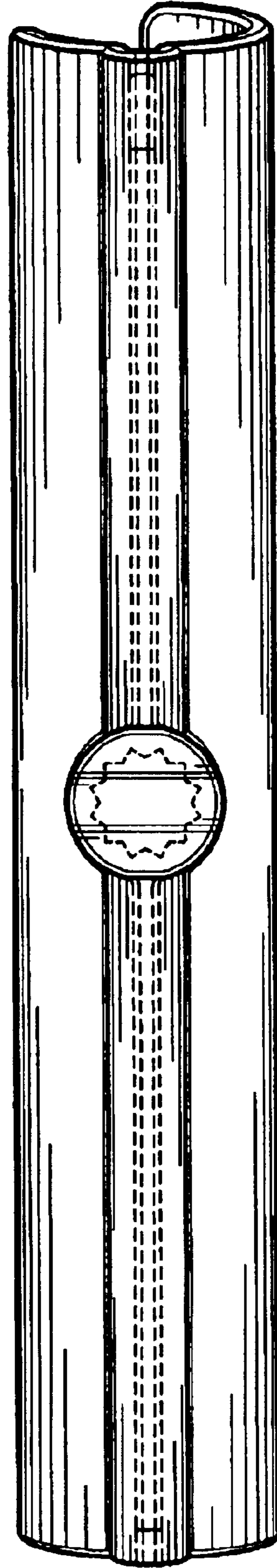


FIG. 7

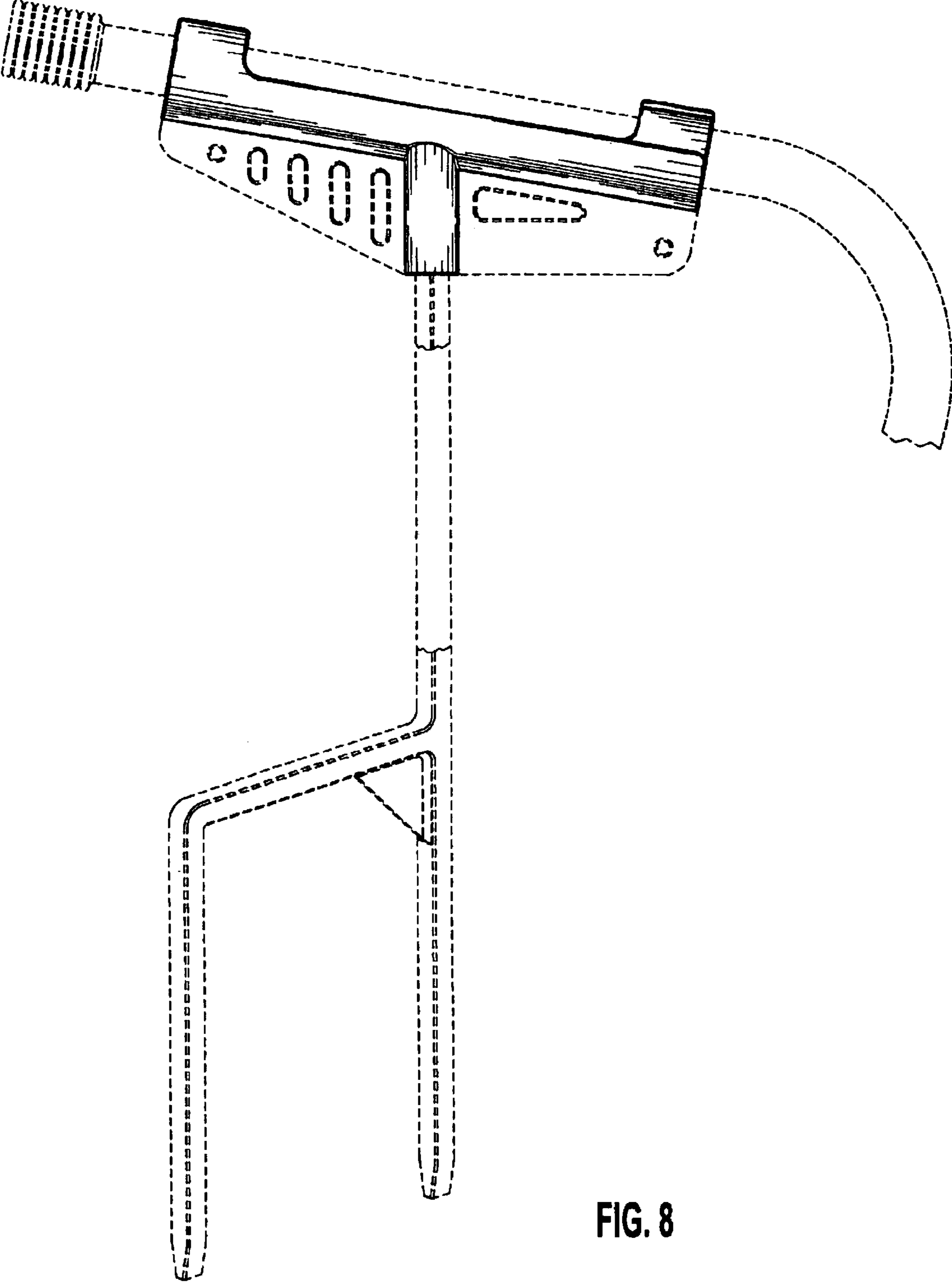


FIG. 8