

US00D497792S1

(12) **United States Design Patent**
Haas

(10) **Patent No.:** **US D497,792 S**

(45) **Date of Patent:** **** Nov. 2, 2004**

(54) **KEYLESS LOCKING DEVICE**
(75) **Inventor:** **David J. Haas, Suffern, NY (US)**
(73) **Assignee:** **Tecco, Inc., Suffern, NY (US)**
(**) **Term:** **14 Years**

4,524,592 A * 6/1985 Saitoh 70/287
4,726,204 A * 2/1988 Peyronnet 70/315
4,756,171 A * 7/1988 Homar 70/18
5,079,540 A * 1/1992 Narlow et al. 340/572.8
5,557,954 A * 9/1996 Ling 70/68
6,062,051 A * 5/2000 Nam et al. 70/68

* cited by examiner

(21) **Appl. No.:** **29/197,690**

Primary Examiner—Prabhakar Deshmukh

(22) **Filed:** **Jan. 20, 2004**

(74) *Attorney, Agent, or Firm*—Michael Zall

(51) **LOC (7) Cl.** **08-07**

(57) **CLAIM**

(52) **U.S. Cl.** **D8/338; D8/330; D8/343**

I claim the ornamental design for the keyless locking device, as shown and described.

(58) **Field of Search** D8/330, 337, 338,
D8/343, 349, 301; 70/14, 23, 25, 26, 51,
52, 58, 64, 67, 69-73, 141, 57.1, 258, 286-289,
294, 315, 322; 150/101, 102

DESCRIPTION

(56) **References Cited**

U.S. PATENT DOCUMENTS

1,249,460 A * 12/1917 Newman 70/27
1,358,672 A * 11/1920 Barnes et al. 70/306
D208,267 S * 8/1967 Damast D8/336
D221,059 S * 7/1971 Townsend D8/338
D251,965 S * 5/1979 Uyeda D8/343
D264,680 S * 6/1982 Widen D8/343
D271,563 S * 11/1983 Gehrie D8/343

FIG. 1 is a perspective view of the new design keyless locking device;
FIG. 2 is a top view of thereof;
FIG. 3 is a right side view thereof;
FIG. 4 is a left side view thereof;
FIG. 5 is another side view thereof;
FIG. 6 is a bottom view thereof; and,
FIG. 7 is a perspective view thereof, the broken lines environment shown therein is for illustrative purpose only and form no part of the claimed design.

1 Claim, 4 Drawing Sheets

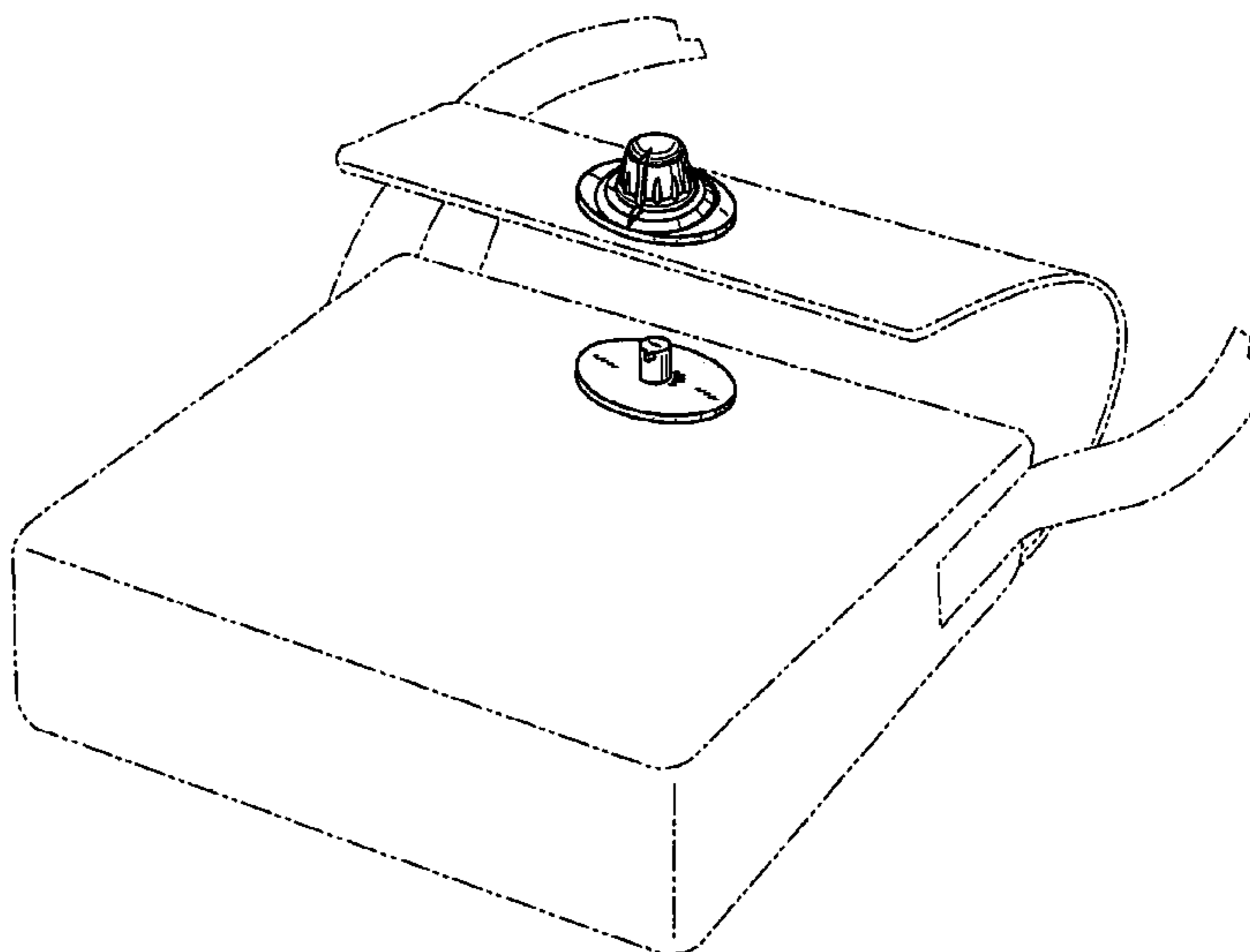
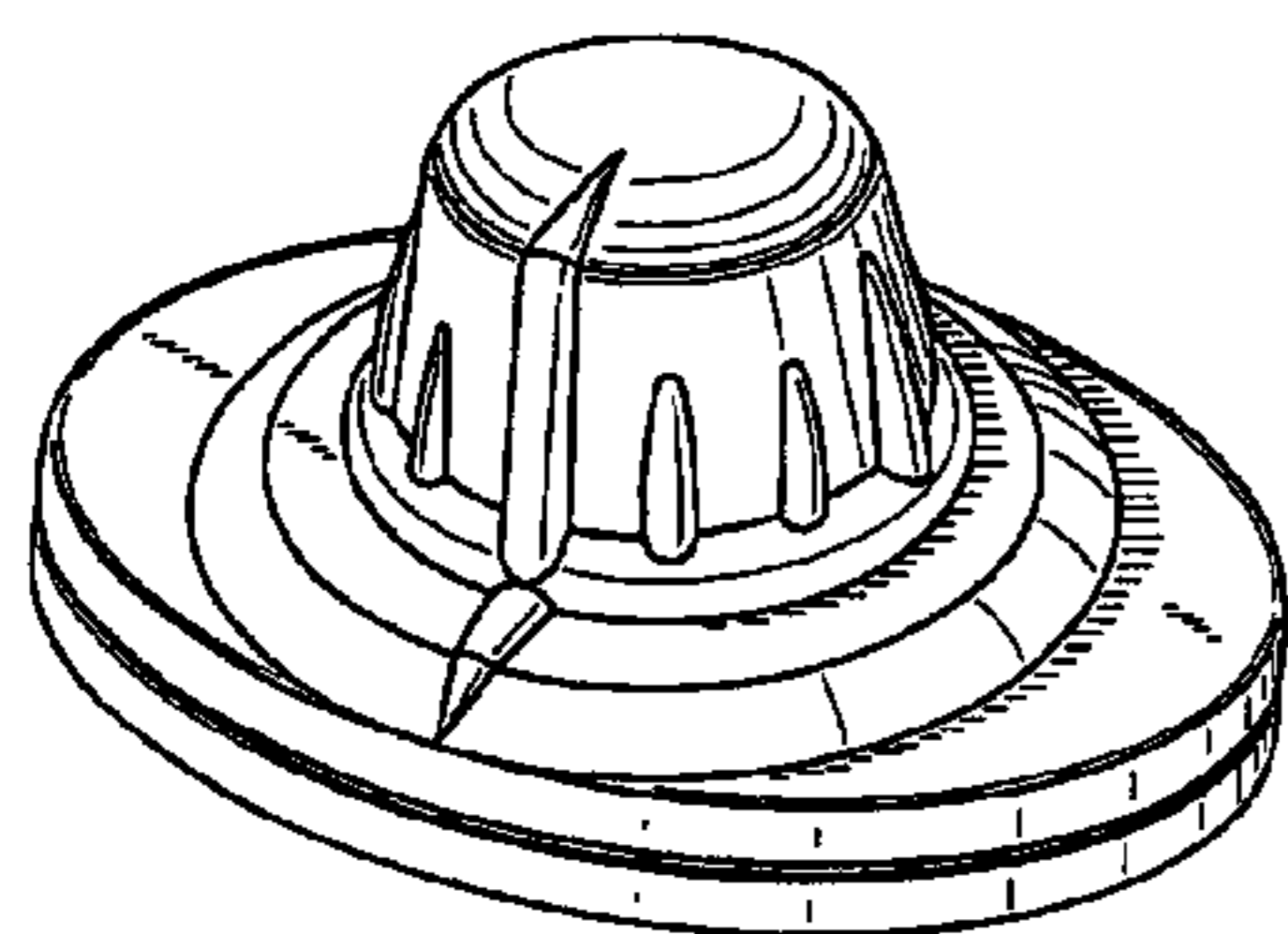


FIG. 1

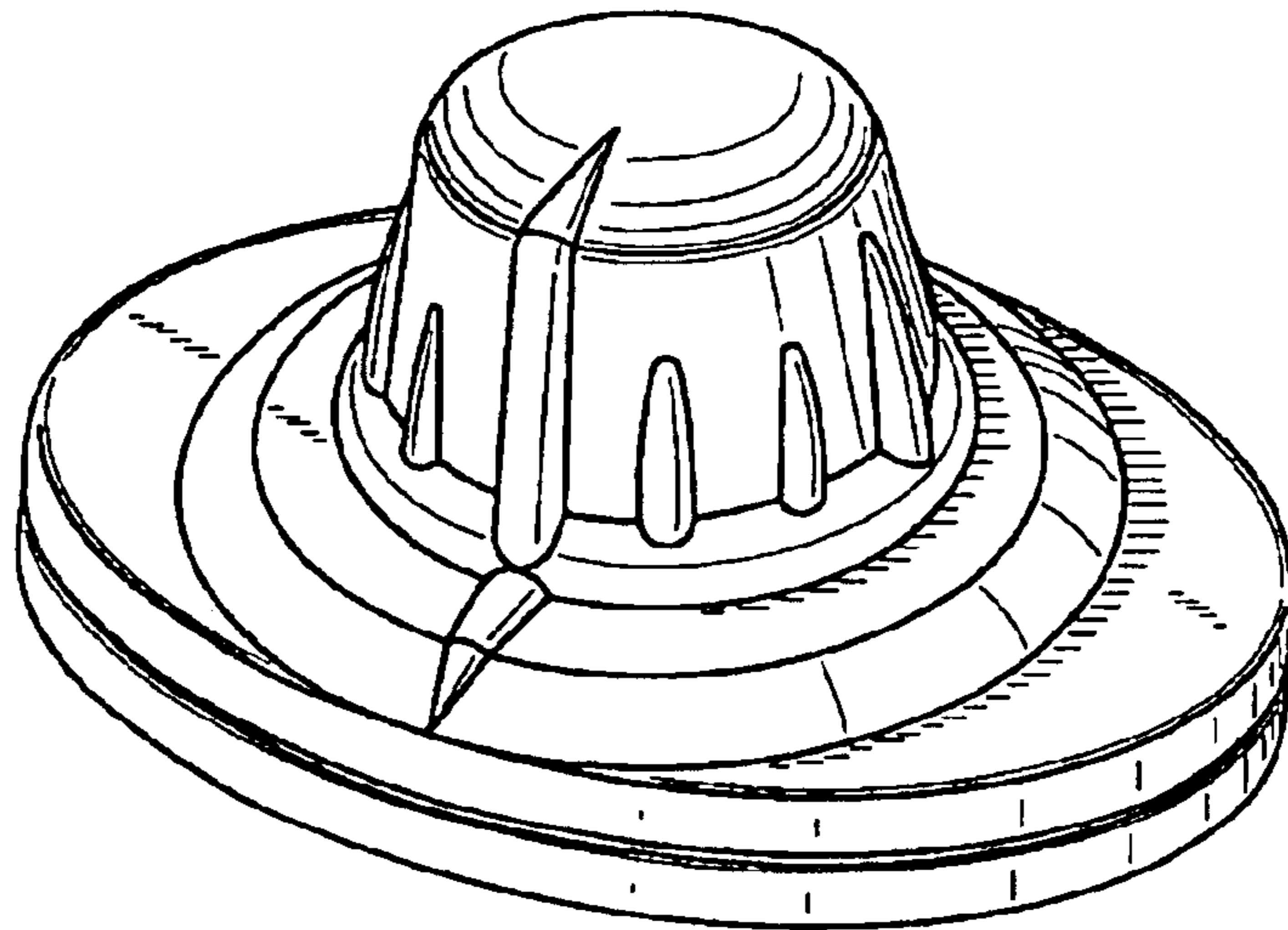


FIG. 2

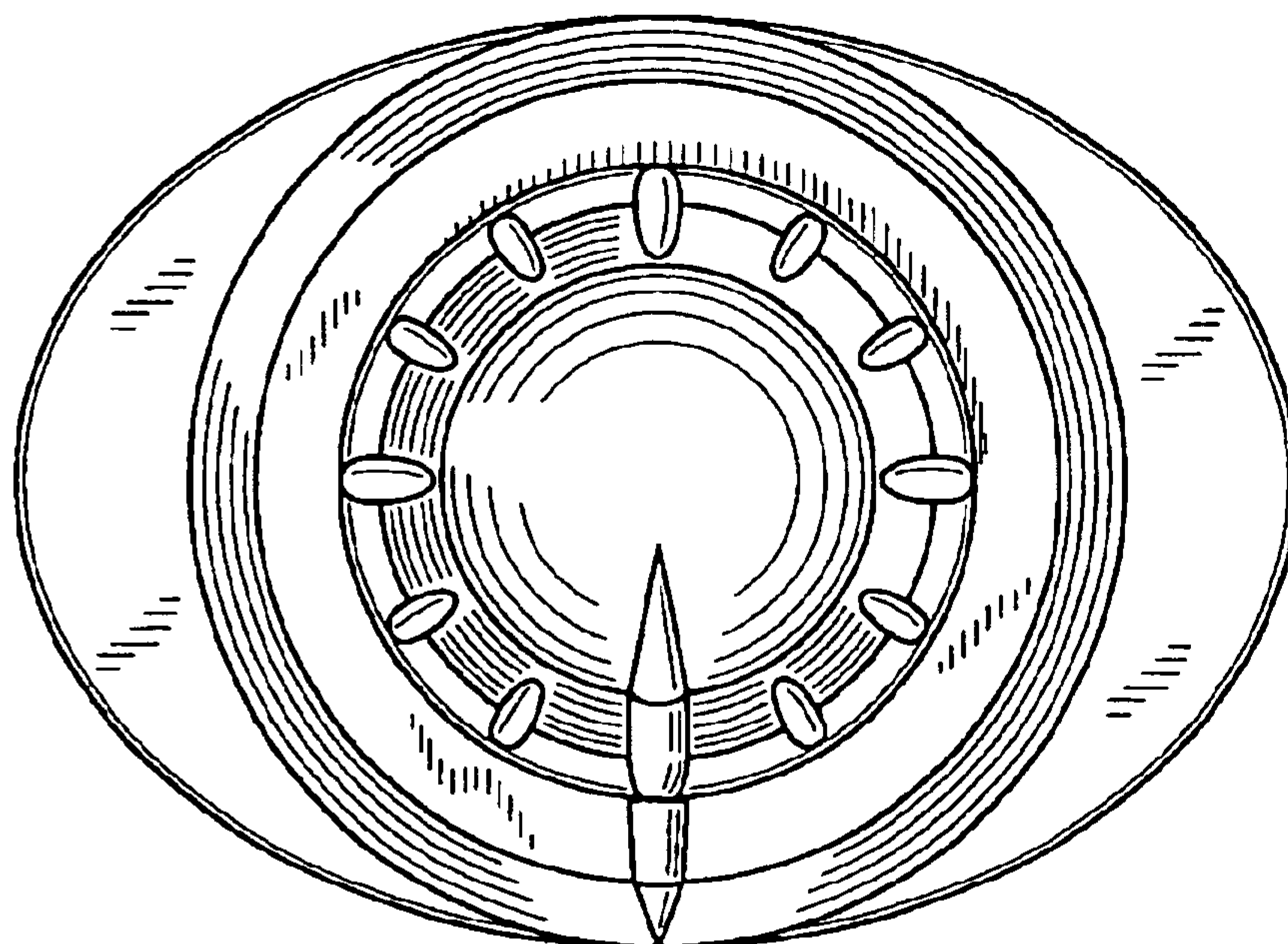


FIG. 3

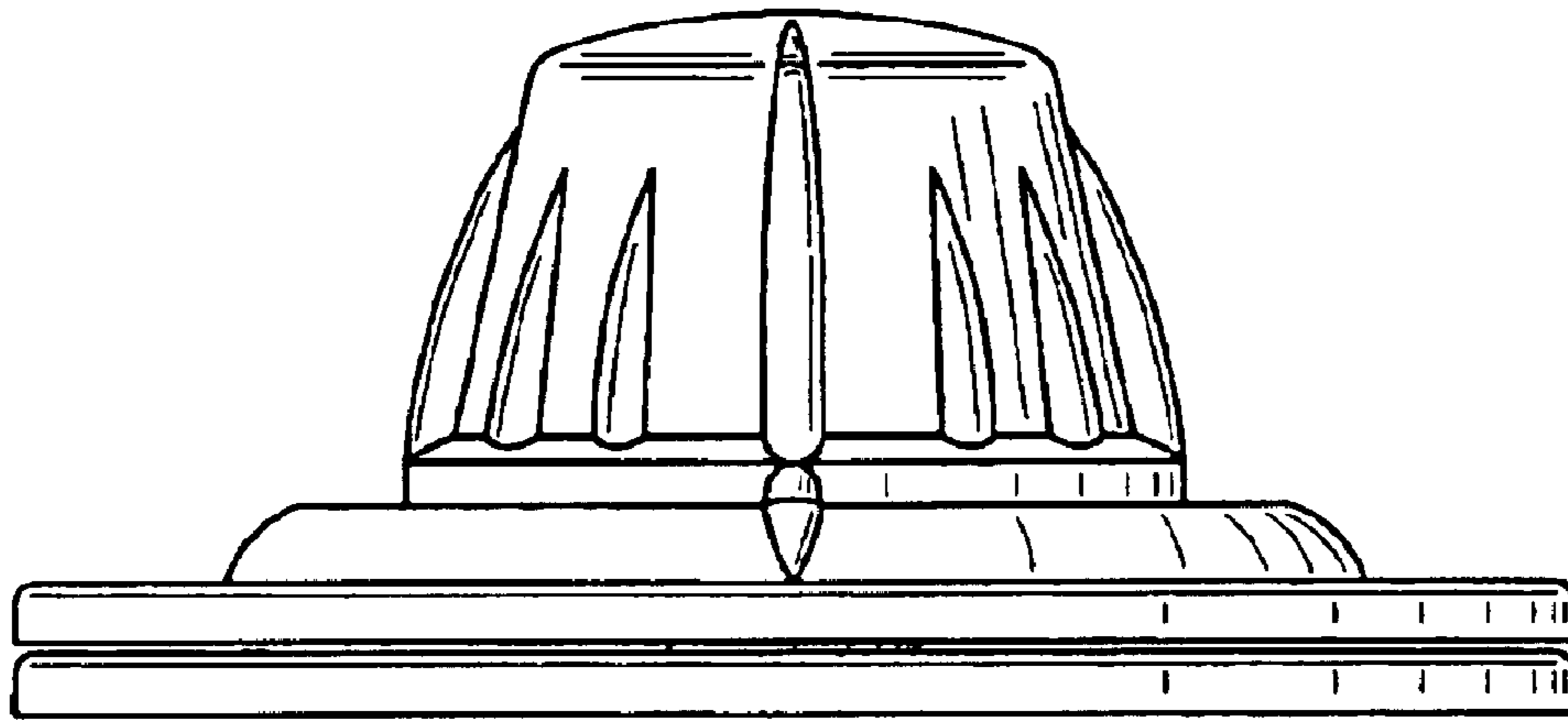


FIG. 4

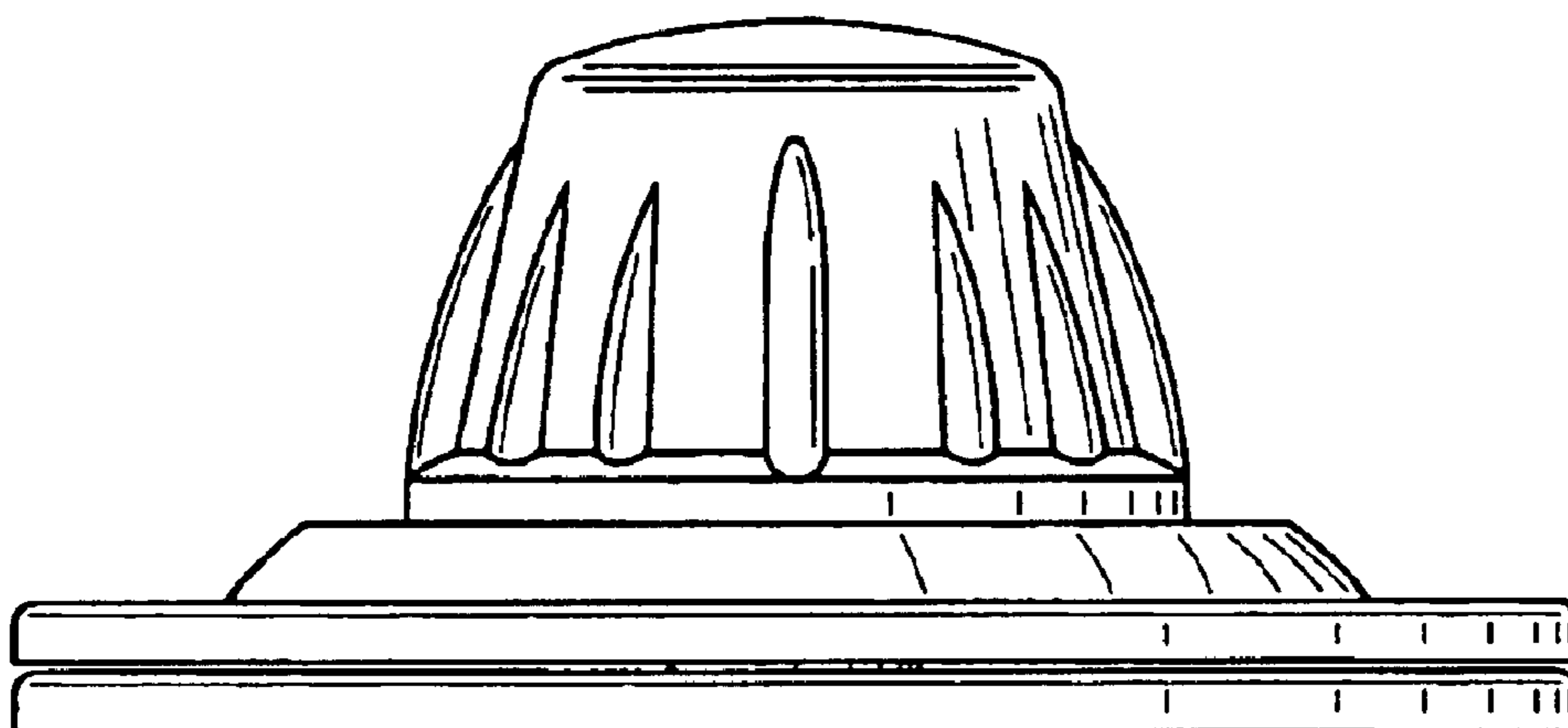


FIG. 5

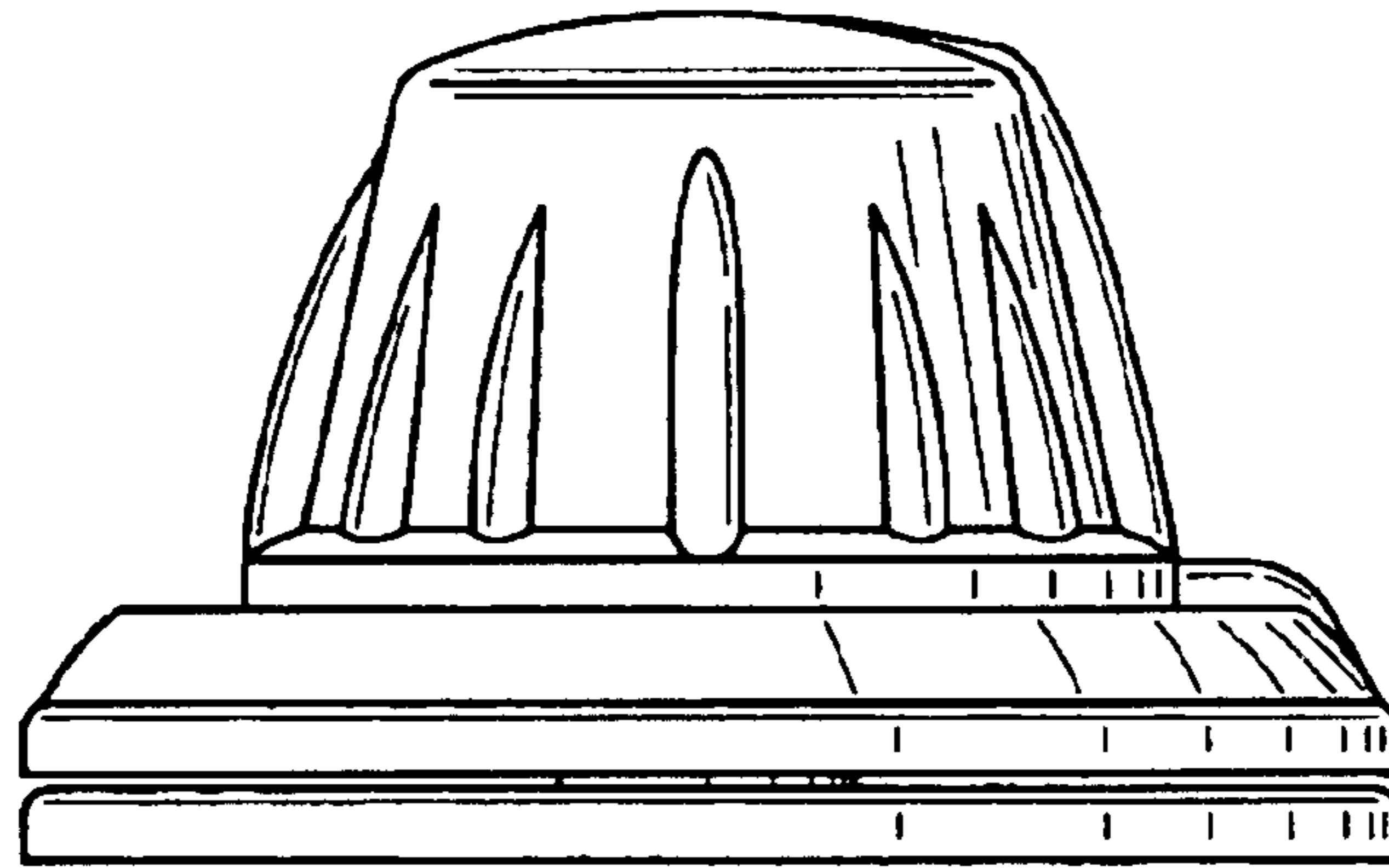
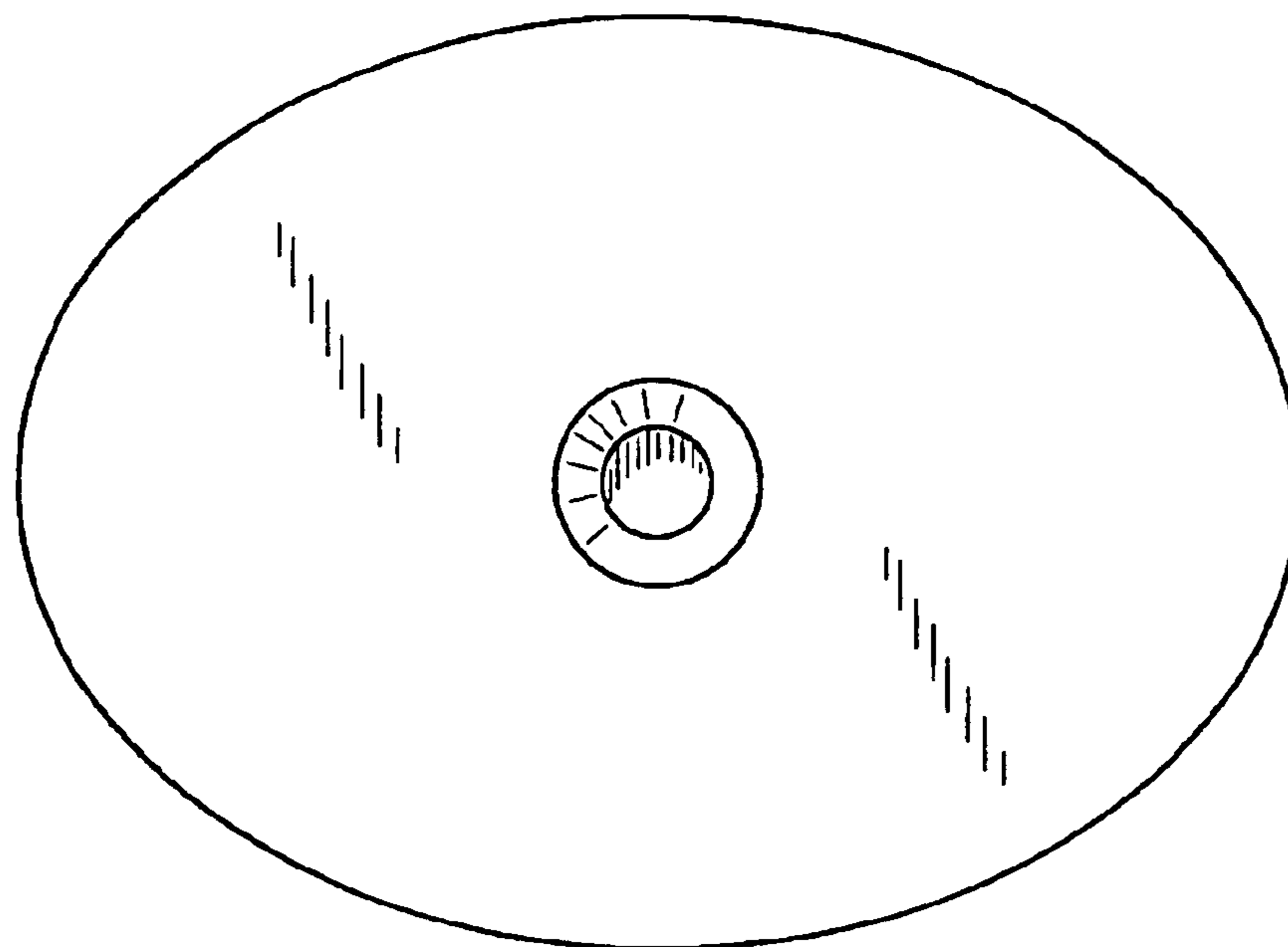


FIG. 6



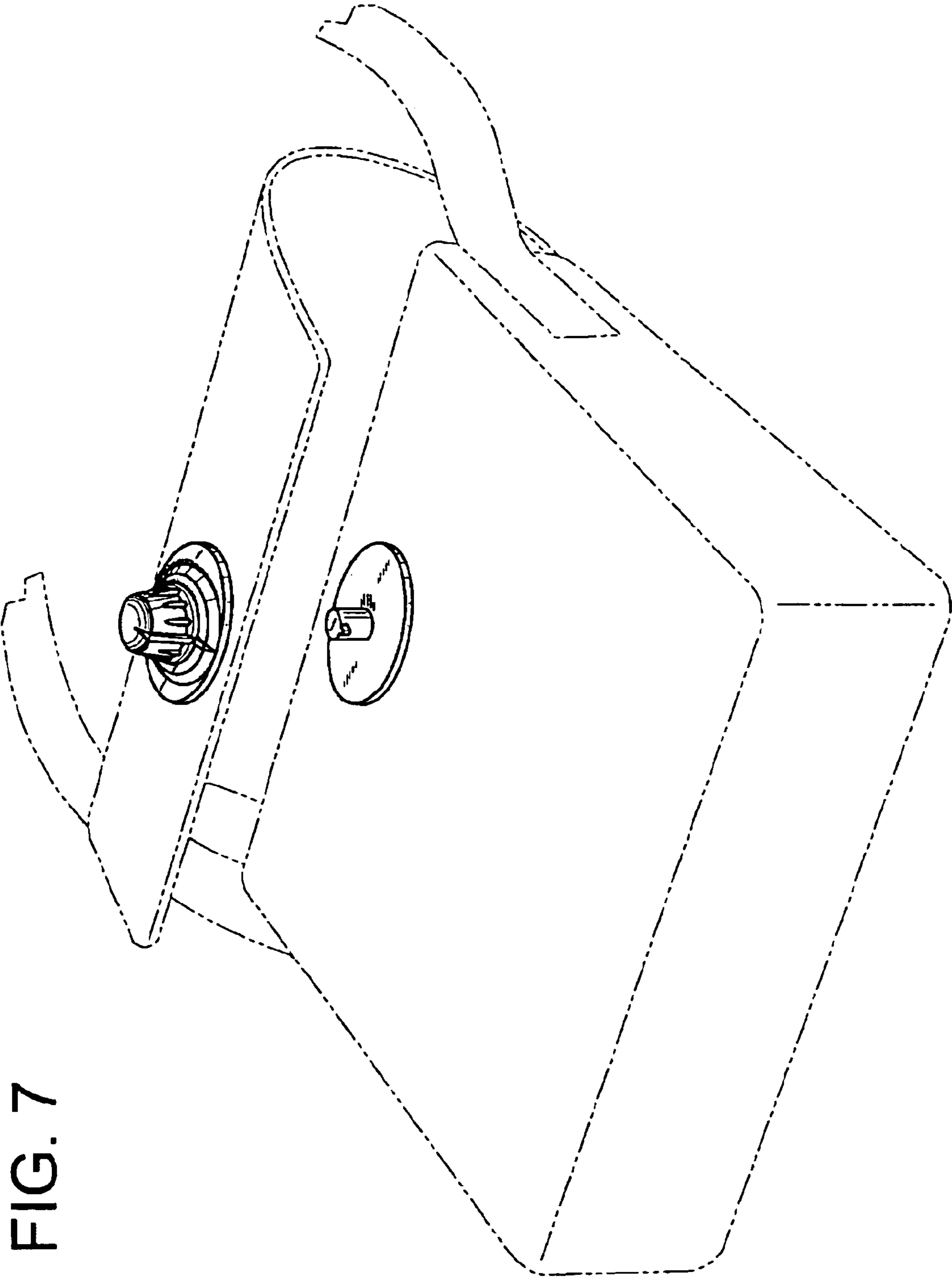


FIG. 7