

US00D497790S1

(12) **United States Design Patent** (10) **Patent No.:** **US D497,790 S**
Rivera et al. (45) **Date of Patent:** **** Nov. 2, 2004**

(54) **FOLDING MULTIPURPOSE HAND TOOL**

(75) Inventors: **Benjamin C. Rivera**, West Linn, OR (US); **Hollan A. Tsuda**, Portland, OR (US); **Nathan E. Knight**, Portland, OR (US); **Melissa C. Yale**, Portland, OR (US); **Glenn Klecker**, Silverton, OR (US)

(73) Assignee: **Leatherman Tool Group, Inc.**, Portland, OR (US)

(**) Term: **14 Years**

(21) Appl. No.: **29/197,320**

(22) Filed: **Jan. 13, 2004**

(51) **LOC (7) Cl.** **08-05**

(52) **U.S. Cl.** **D8/107; D8/55; D8/105**

(58) **Field of Search** **D8/54-56, 99, D8/105, 107; 7/118, 119, 125-135, 158, 163-166, 168; 30/160, 161; 81/427.5, 440**

(56) **References Cited**

U.S. PATENT DOCUMENTS

124,566 A	3/1872	Garrick
254,404 A	2/1882	Story
2,824,368 A	2/1958	Bassett
2,869,232 A	1/1959	Kivela
4,347,665 A	9/1982	Glesser
4,384,499 A	5/1983	Shockley
D280,179 S	8/1985	Miceli
4,555,822 A	12/1985	Miceli
D286,501 S	11/1986	Magan
4,744,272 A	5/1988	Leatherman
D304,154 S	10/1989	Osterhout
D309,409 S	7/1990	Kiernan
D319,767 S	9/1991	Sargent
5,111,581 A	5/1992	Collins
5,212,844 A	5/1993	Sessions et al.
D344,006 S	2/1994	Glesser
5,491,856 A	2/1996	Legg
D368,634 S	4/1996	Frazer
5,511,310 A	4/1996	Sessions et al.
5,537,750 A	7/1996	Seber et al.

(List continued on next page.)

OTHER PUBLICATIONS

Hoppes, Division of Penguin Industries, Coatesville, Pa., Folding Knife with Hex Wrenches, Prior to Jun. 1997.
SOG, Auto-clip Folding Knife, Prior to Jun. 1997.

Primary Examiner—Clare E Heflin

(74) *Attorney, Agent, or Firm*—Chernoff, Vilhauer, McClung & Stenzel, LLP

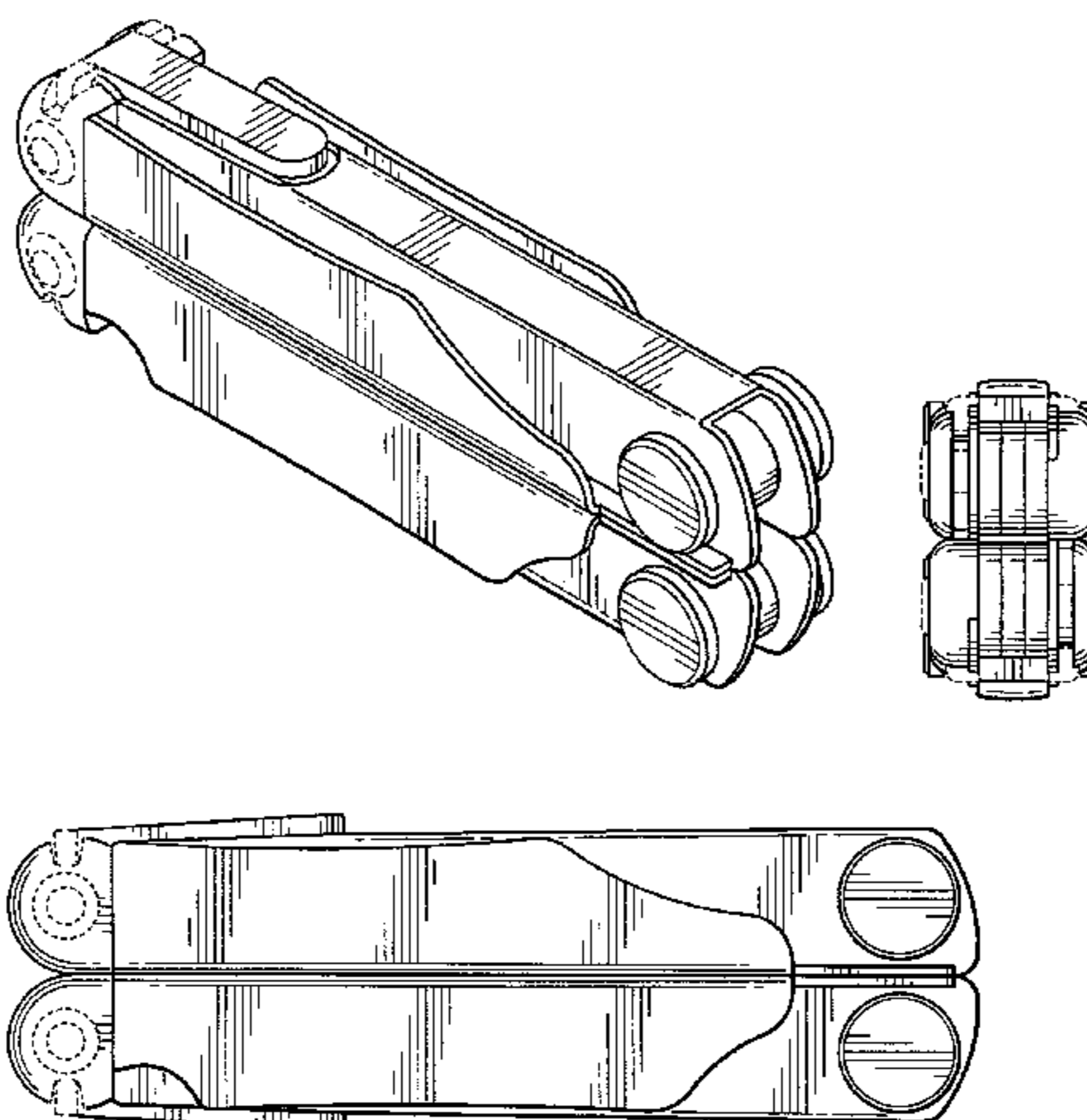
(57) **CLAIM**

The ornamental design for a folding multipurpose hand tool, as shown and described.

DESCRIPTION

FIG. 1 is an isometric view from the upper right front of a folding multipurpose hand tool including our new design, wherein the heads of pivot pins and portions of a blade latch mechanism shown in broken line are included merely for illustrative purposes and form no part of the claimed design; FIG. 2 is a right side elevational view thereof, wherein the heads of pivot pins and portions of a blade latch mechanism shown in broken line are included merely for illustrative purposes and form no part of the claimed design; FIG. 3 is a left side elevational view thereof, wherein the heads of pivot pins and portions of a blade latch mechanism shown in broken line are included merely for illustrative purposes and form no part of the claimed design; FIG. 4 is a top plan view thereof, wherein the portions of pivot pins and of a blade latch mechanism shown in broken line are included merely for illustrative purposes and form no part of the claimed design, the bottom plan view thereof being identical with the top plan view; FIG. 5 is a front end elevational view thereof, wherein the portions of heads of pivot pins and of a blade latch mechanism shown in broken line are included merely for illustrative purposes and form no part of the claimed design; and, FIG. 6 is a rear end elevational view thereof, wherein the portions of heads of pivot pins and of a blade latch mechanism shown in broken line are included merely for illustrative purposes and form no part of the claimed design.

1 Claim, 2 Drawing Sheets



US D497,790 S

Page 2

U.S. PATENT DOCUMENTS

D373,521 S	9/1996	Applegate et al.	D427,501 S	7/2000	Berg et al.
D382,190 S	8/1997	Blackston et al.	D429,616 S *	8/2000	Rivera D8/105
D384,872 S	10/1997	Yeh	6,128,805 A	10/2000	Rivera
D385,170 S	10/1997	Rivera	6,216,301 B1 *	4/2001	Rivera 7/128
5,745,997 A *	5/1998	Berg et al. 30/161	D447,401 S *	9/2001	Rivera D8/105
D398,209 S	9/1998	Rivera	6,282,996 B1	9/2001	Berg et al.
D398,213 S	9/1998	Rivera	6,389,625 B1 *	5/2002	Rivera 7/128
D405,675 S	2/1999	Rivera	2003/0192128 A1	10/2003	Rivera
D405,676 S	2/1999	Rivera	2004/0003472 A1 *	1/2004	Dallas et al. 7/128
6,014,787 A	1/2000	Rivera			

* cited by examiner

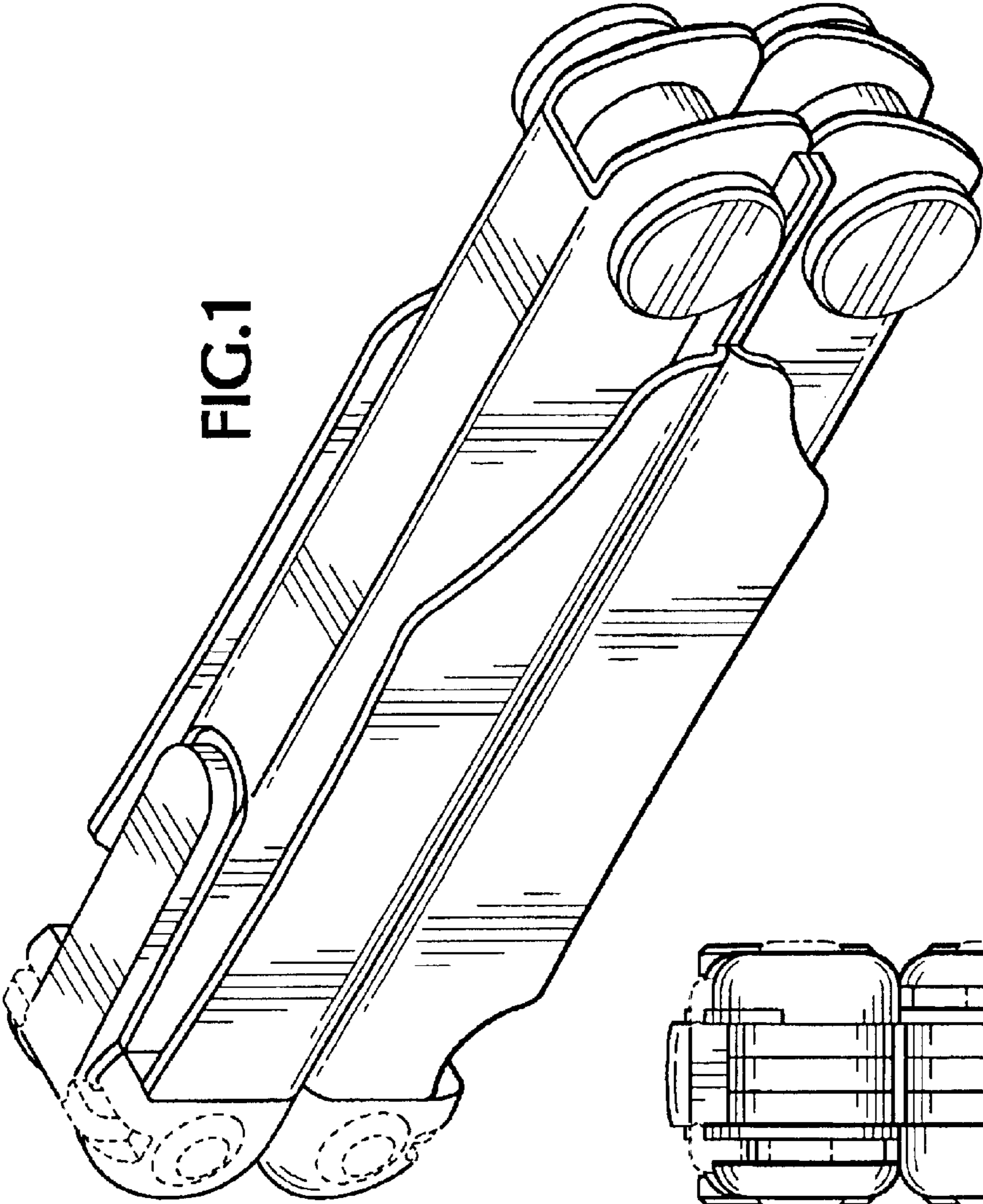


FIG.1

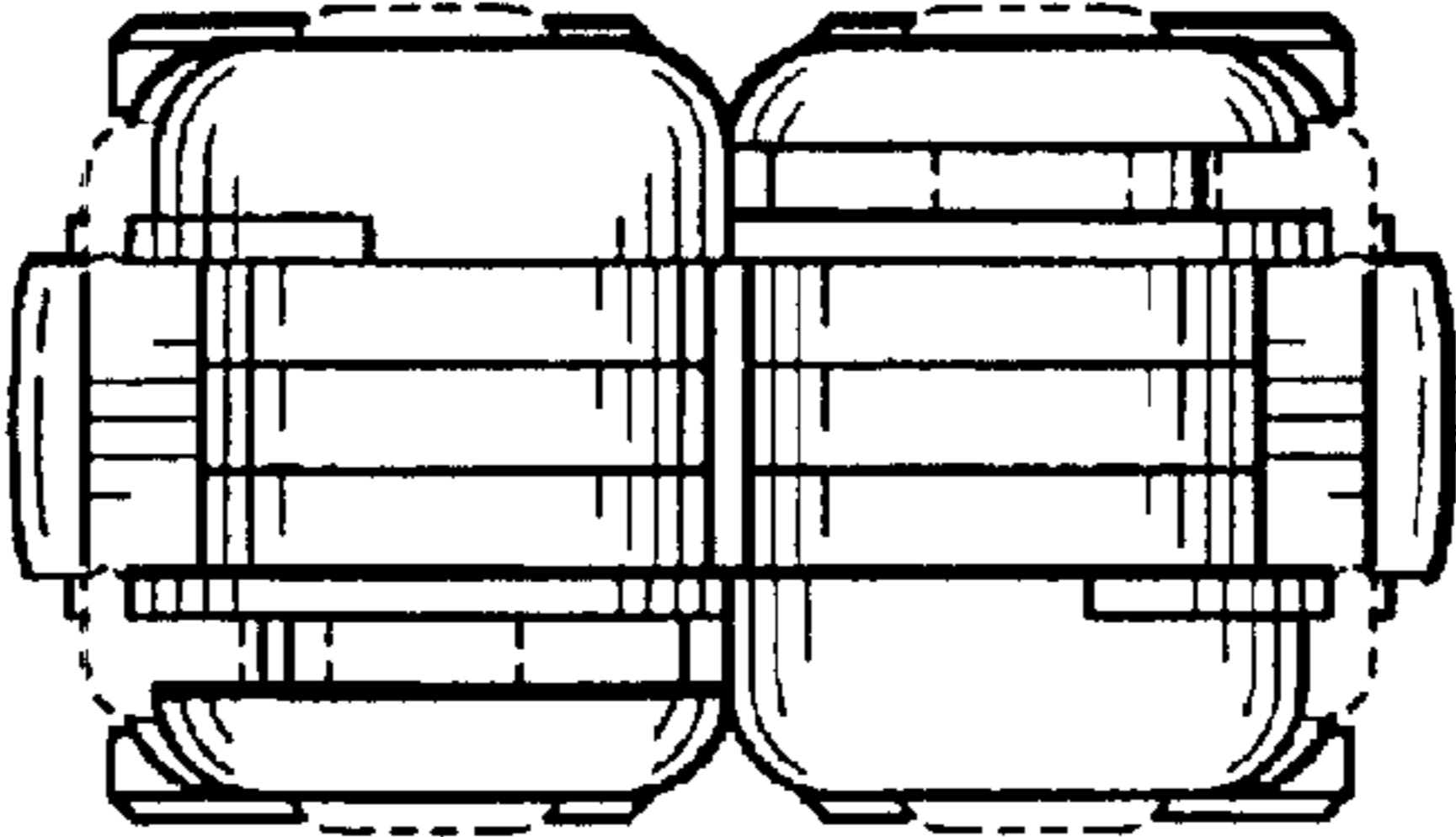


FIG.6

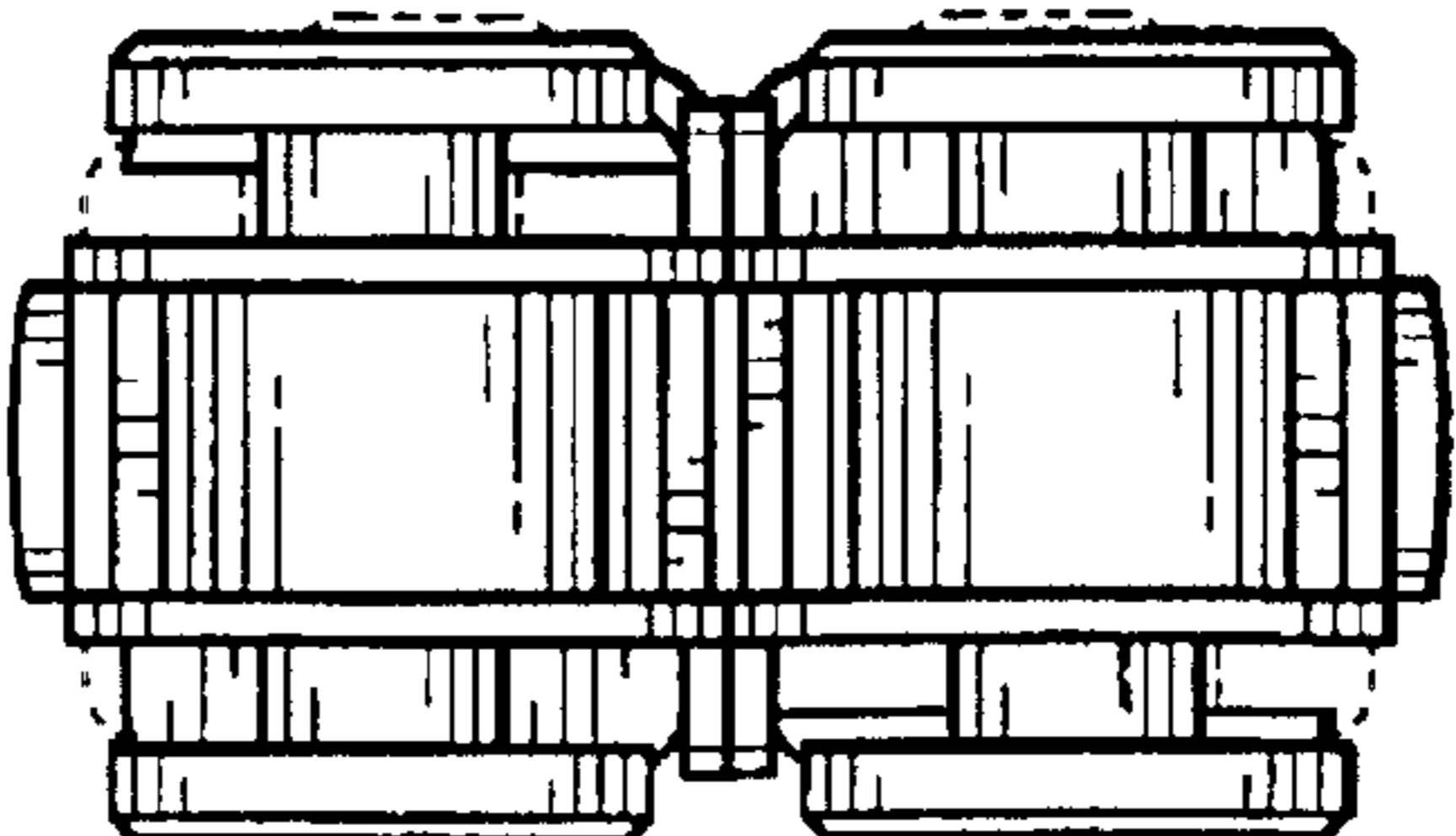


FIG.5

FIG.2

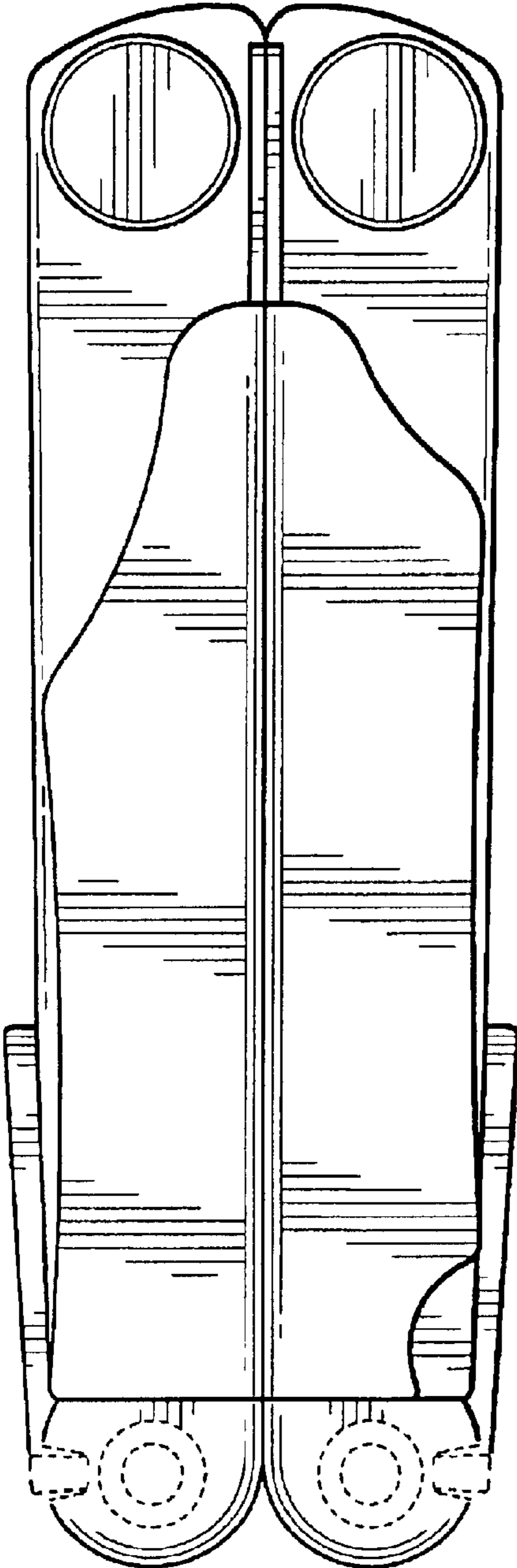


FIG.3

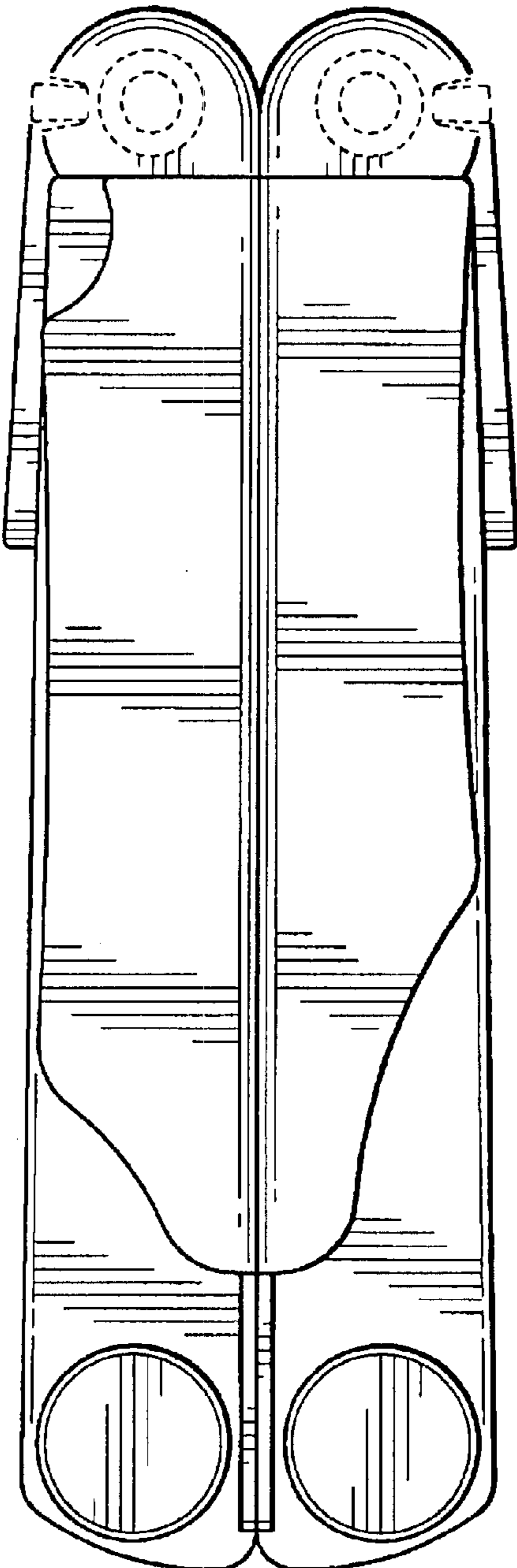


FIG.4

