

US00D497788S1

(12) **United States Design Patent** (10) **Patent No.:** **US D497,788 S**
Winig et al. (45) **Date of Patent:** **** Nov. 2, 2004**

(54) **TOOL HOLDER**

(75) Inventors: **Alan Winig**, Wynnewood, PA (US);
Richard Winig, Villanova, PA (US);
James Eldon, Barto, PA (US)

(73) Assignee: **Eye Designs LLC**, Collegetown, PA (US)

(**) Term: **14 Years**

(21) Appl. No.: **29/187,455**

(22) Filed: **Aug. 1, 2003**

(51) **LOC (7) Cl.** **08-05**

(52) **U.S. Cl.** **D8/71**

(58) **Field of Search** D8/71, 14.1, 64, D8/66, 70, 72, 73, 74, 349, 354, 373; D6/467, 469, 567, 574; D15/130, 132, 138, 139, 140, 141; 33/474, 533, 613; 81/177.1, 437, 177.4, 438, 439, 490; 82/161; 83/581, 760, 762-764, 766; 142/48, 49, 55; 211/60.1, 70.6, 71.01, 74, 65, 90.01; 248/80, 153, 175, 176.1, 201, 304, 309.1, 312, 312.1, 315, 316.8; 269/41, 42, 283

4,340,144 A 7/1982 Cousins
4,439,884 A 4/1984 Giorni
4,450,961 A 5/1984 Bies et al.
4,508,301 A 4/1985 Nicholson et al.
4,516,681 A 5/1985 Jahel
D282,128 S * 1/1986 Bell et al. D6/469
4,597,496 A 7/1986 Kaplan
4,632,256 A 12/1986 Gambello
4,750,623 A * 6/1988 Flum 211/74
4,771,897 A 9/1988 Ho
4,905,951 A 3/1990 Putness
4,936,565 A 6/1990 Fredrickson
D313,550 S * 1/1991 Lorincz D8/373
5,005,710 A 4/1991 Hofer
D323,089 S * 1/1992 Koerbel D6/574
5,201,430 A 4/1993 Artzer
5,224,609 A 7/1993 Bauer et al.
5,337,987 A 8/1994 Sawatsky
5,482,168 A 1/1996 Welch et al.
5,515,969 A 5/1996 Schonenbach
5,573,111 A 11/1996 Gordon et al.
5,704,495 A * 1/1998 Bale et al. 211/71.01
5,706,936 A 1/1998 Bernstein
5,711,419 A 1/1998 Beales et al.
5,738,228 A 4/1998 Bittinger
5,855,274 A 1/1999 Piao

(List continued on next page.)

(56) **References Cited**

U.S. PATENT DOCUMENTS

878,233 A * 2/1908 Paulson 211/74
1,056,237 A * 3/1913 Waller 211/74
1,958,772 A 5/1934 Stewart
1,992,857 A 2/1935 Breedlove
2,121,307 A 6/1938 Swift
2,533,355 A * 12/1950 Comfort 211/65
2,566,650 A * 9/1951 Anderson 211/65
2,785,919 A 3/1957 Grondzik
2,815,863 A * 12/1957 Larson 211/90.01
2,956,687 A 10/1960 Robichaud
2,995,256 A 8/1961 Schoenfisch
3,063,569 A 11/1962 Huber
3,269,550 A * 8/1966 Marcus 211/70.6
3,565,020 A 2/1971 Schier et al.
4,325,484 A 4/1982 Berry

Primary Examiner—James Gandy
Assistant Examiner—T. Chase Nelson
(74) *Attorney, Agent, or Firm*—Duane Morris LLP

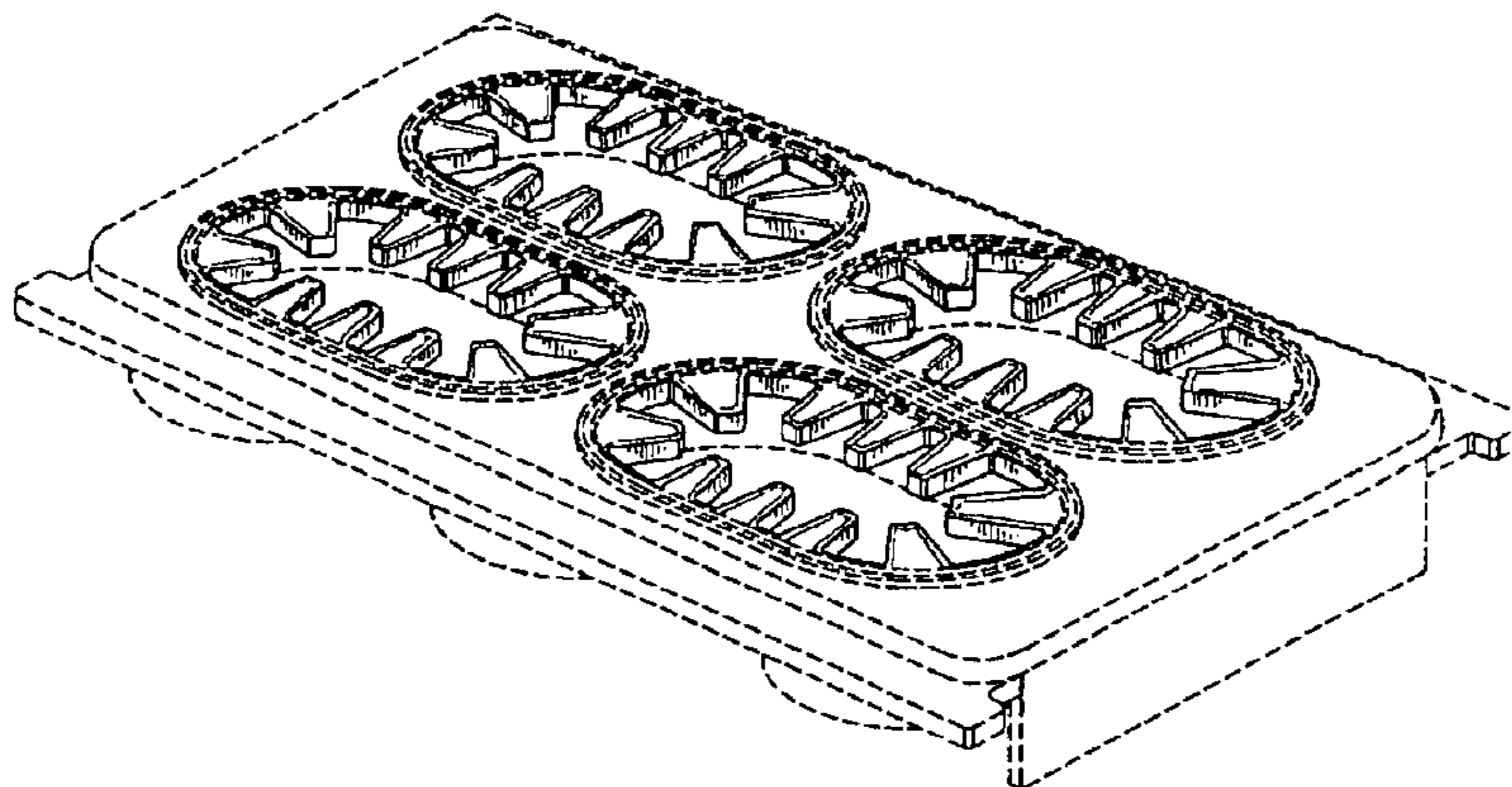
(57) **CLAIM**

The ornamental design for a tool holder, as shown and described.

DESCRIPTION

FIG. 1 is a perspective view of the tool holder according to the invention;
FIG. 2 is a top view of the tool holder; and,
FIG. 3 is a bottom view of the tool holder.
The broken line showing of structure is for illustrative purposes only and forms no part of the claimed design.

1 Claim, 2 Drawing Sheets



US D497,788 S

Page 2

U.S. PATENT DOCUMENTS

5,909,936 A	6/1999	Daniels et al.	6,273,255 B1	8/2001	Rosler
5,915,307 A	6/1999	Tisbo et al.	6,273,277 B1	8/2001	Geldenhuis
5,915,572 A	6/1999	Hancock	6,299,001 B1	10/2001	Frolov et al.
5,970,663 A	10/1999	McDonough	6,450,338 B1	9/2002	Chen
6,000,912 A	12/1999	Takada et al.	6,491,267 B1	12/2002	Feldman
6,019,331 A	2/2000	Hoogland et al.	6,502,711 B1 *	1/2003	Mc Rae 220/23.4
6,050,426 A	4/2000	Leurdijk	6,508,369 B2 *	1/2003	Wang 211/60.1
6,070,747 A	6/2000	Shea	6,533,133 B2 *	3/2003	Liu 211/74
D430,583 S *	9/2000	Fang et al. D15/139	6,581,788 B1 *	6/2003	Winig et al. 211/90.01
6,164,448 A *	12/2000	Schmutz et al. 211/60.1	D481,920 S *	11/2003	Winig et al. D8/71
6,250,466 B1	6/2001	Ernst	D482,255 S *	11/2003	Winig et al. D8/71

* cited by examiner

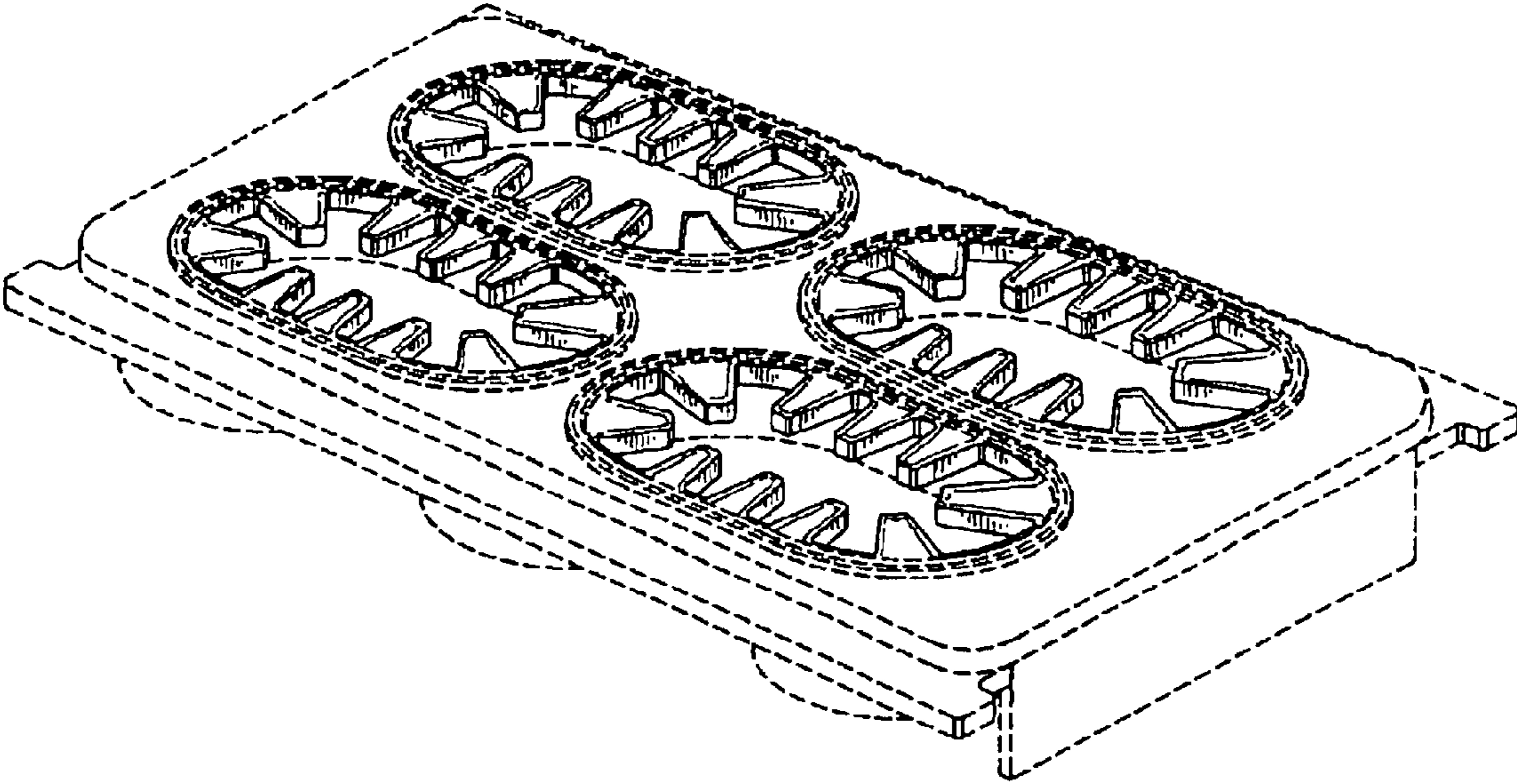


FIG. 1

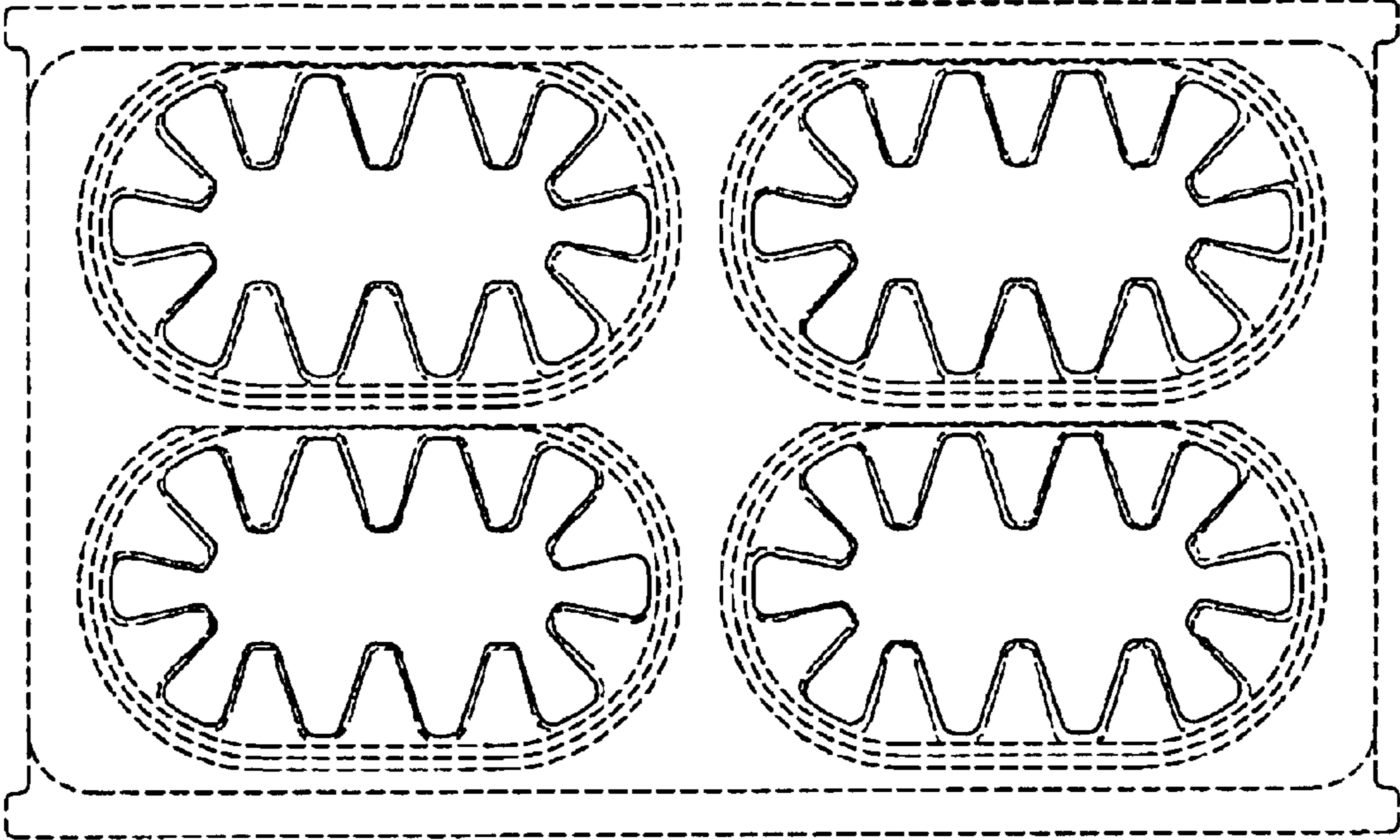


FIG. 2

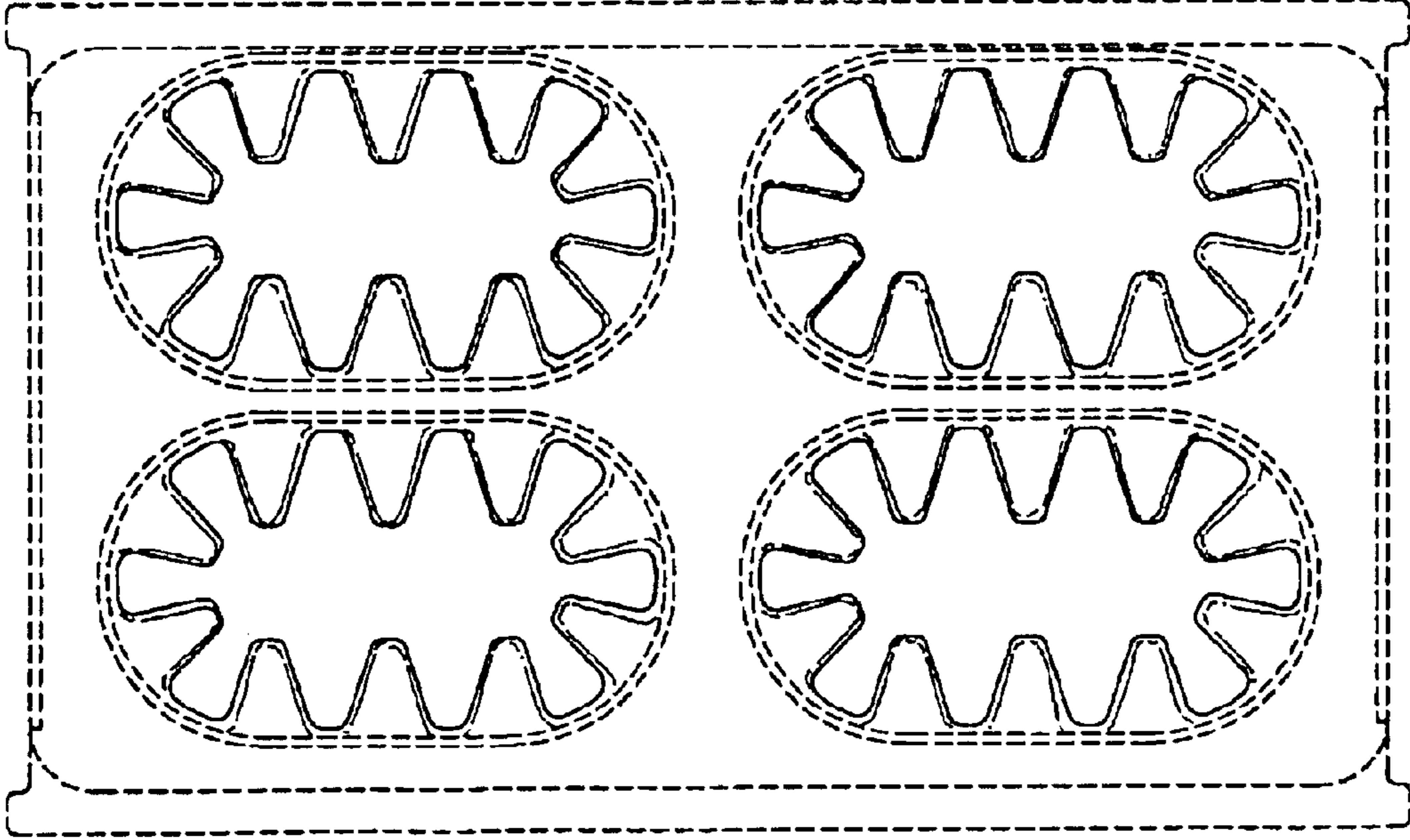


FIG. 3