

US00D497786S1

(12) **United States Design Patent** (10) **Patent No.:** **US D497,786 S**
Concari (45) **Date of Patent:** **** Nov. 2, 2004**

(54) **IMPACT WRENCH**

(75) Inventor: **Gabriel E. Concari**, Eldersburg, MD (US)

(73) Assignee: **Black & Decker Inc.**, Newark, DE (US)

(**) Term: **14 Years**

(21) Appl. No.: **29/197,251**

(22) Filed: **Jan. 13, 2004**

(51) **LOC (7) Cl.** **08-05**

(52) **U.S. Cl.** **D8/68**

(58) **Field of Search** D8/14.1, 61, 62, D8/63, 64, 65, 66, 67, 68, 69, 70; 81/57.11, 429, 464, 465, 466, 469, 489; 173/13, 169, 178, 213, 217; 227/8, 114, 120, 130, 136, 142; 310/50; 408/20, 124, 125, 234, 241 R; 451/358

DE 498 07 545 1/1998
 DE 400 03 528 10/1999
 DE 400 05 042 11/1999
 DE 400 04 805 12/1999
 DE 400 07 329 1/2000
 DE 400 07 330 1/2000
 DE 400 09 556 4/2000
 DE 402 08 784 10/2000
 DE 403 01 818 9/2002
 DE 403 02 379 9/2002
 DE 000008479-0001 4/2003
 FR 000011929-0001 10/2002
 WO DM/028 653 2/1994
 WO DM/059857 5/2002

Primary Examiner—Joel Sincavage
Assistant Examiner—T. Chase Nelson
 (74) *Attorney, Agent, or Firm*—Bruce S. Shapiro; Michael P. Leary; Charles E. Yocum

(57) **CLAIM**

The ornamental design for an impact wrench, as shown and described.

(56) **References Cited**

U.S. PATENT DOCUMENTS

D156,319 S 12/1949 Bushnell
 D159,044 S 8/1950 Bushnell
 D181,189 S * 10/1957 Fegan D8/68
 D261,222 S * 10/1981 Bunyea D8/68
 4,440,238 A * 4/1984 Sauerwein et al. 173/171
 D295,714 S 5/1988 Sasaki et al.
 D320,917 S 10/1991 Fushiya et al.
 D335,073 S 4/1993 Anthony et al.
 D339,046 S 9/1993 Fushiya et al.
 D340,394 S 10/1993 Okumura
 D340,396 S 10/1993 Ichikawa
 D342,430 S 12/1993 Saito et al.
 D368,214 S 3/1996 Zurwelle
 5,526,460 A * 6/1996 DeFrancesco et al. 388/831

(List continued on next page.)

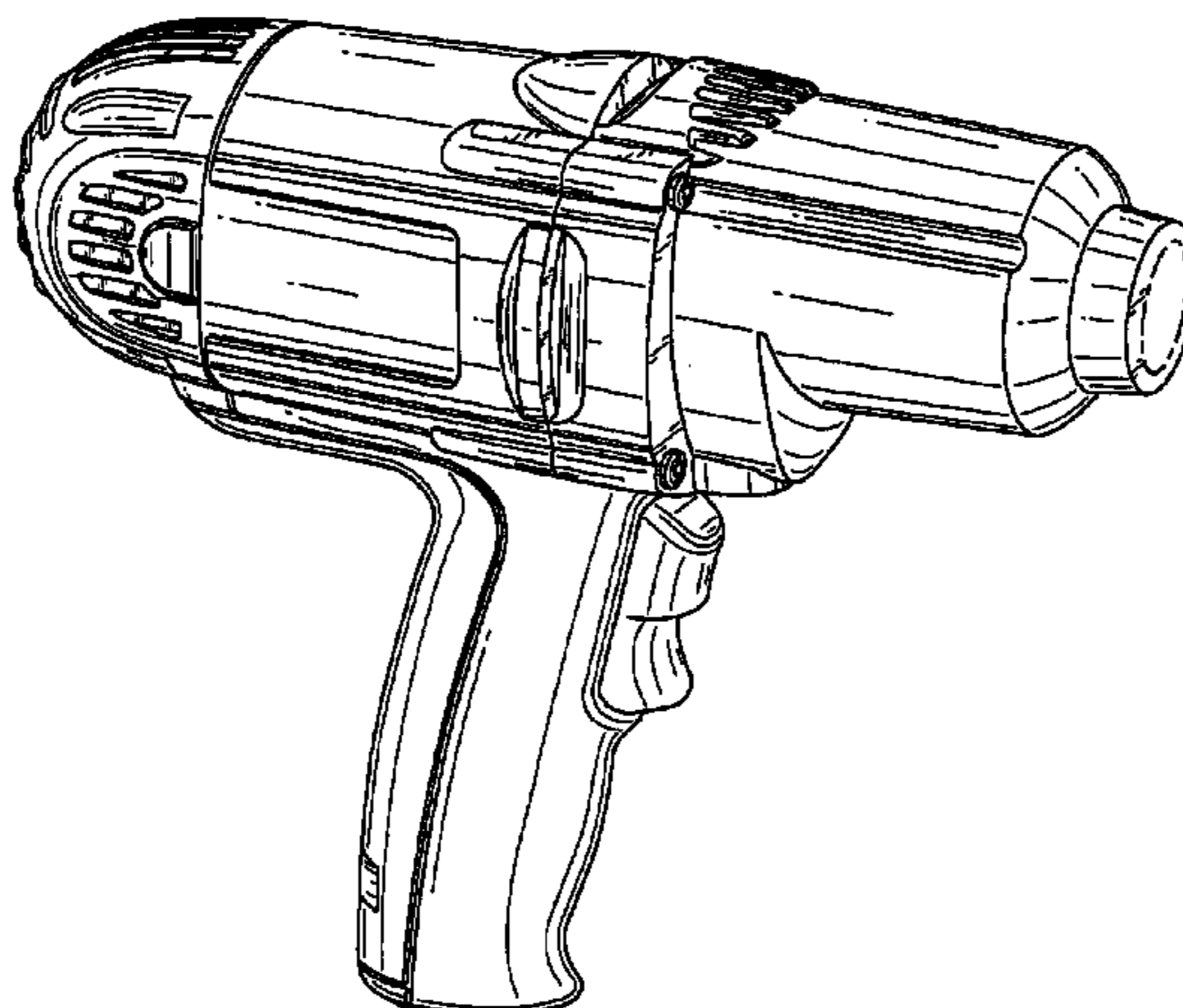
FOREIGN PATENT DOCUMENTS

DE M 91 07 310 4/1991
 DE M 94 02 042 9/1993
 DE M 94 09 106 11/1994

DESCRIPTION

FIG. 1 is a right front perspective view of an impact wrench showing a first embodiment of my new design.
 FIG. 2 is a left side view thereof.
 FIG. 3 is a right side view thereof.
 FIG. 4 is a front view thereof.
 FIG. 5 is a rear view thereof.
 FIG. 6 is a top view thereof.
 FIG. 7 is a bottom view thereof.
 FIG. 8 is a right front perspective view of an impact wrench showing a second embodiment of my new design.
 FIG. 9 is a left side view thereof.
 FIG. 10 is a right side view thereof.
 FIG. 11 is a front view thereof.
 FIG. 12 is a rear view thereof.
 FIG. 13 is a top view thereof; and,
 FIG. 14 is a bottom view thereof.
 The dashed lines and the areas within the dashed lines form no part of the claimed ornamental design.

1 Claim, 10 Drawing Sheets



US D497,786 S

Page 2

U.S. PATENT DOCUMENTS		
D376,969 S	12/1996	Kazamaki et al.
D392,863 S	3/1998	Sugimoto et al.
D403,219 S	12/1998	Bosten et al.
D404,276 S	1/1999	Ghode et al.
D411,947 S	7/1999	Sugimoto et al.
D420,879 S	2/2000	Watson
D424,902 S	5/2000	Gildersleeve et al.
D428,320 S	7/2000	Ohi et al.
D431,766 S	10/2000	Zurwelle
D433,612 S	11/2000	Donaldson, Jr.
D435,414 S	12/2000	Etter et al.
D437,761 S	2/2001	Okumura
6,223,834 B1	* 5/2001	Takamura et al. 173/211
D446,704 S	8/2001	Shibata et al.
D452,639 S	* 1/2002	Zurwelle D8/68
D462,594 S	9/2002	Flickinger
D466,386 S	* 12/2002	Zurwelle D8/68
D466,777 S	12/2002	Watson
D467,147 S	12/2002	Watson
D467,780 S	12/2002	Koizumi
D478,262 S	8/2003	Chunn
D489,955 S	* 5/2004	Concari et al. D8/68
6,733,414 B2	* 5/2004	Elger 173/211
2002/0094907 A1	* 7/2002	Elger 475/331

* cited by examiner

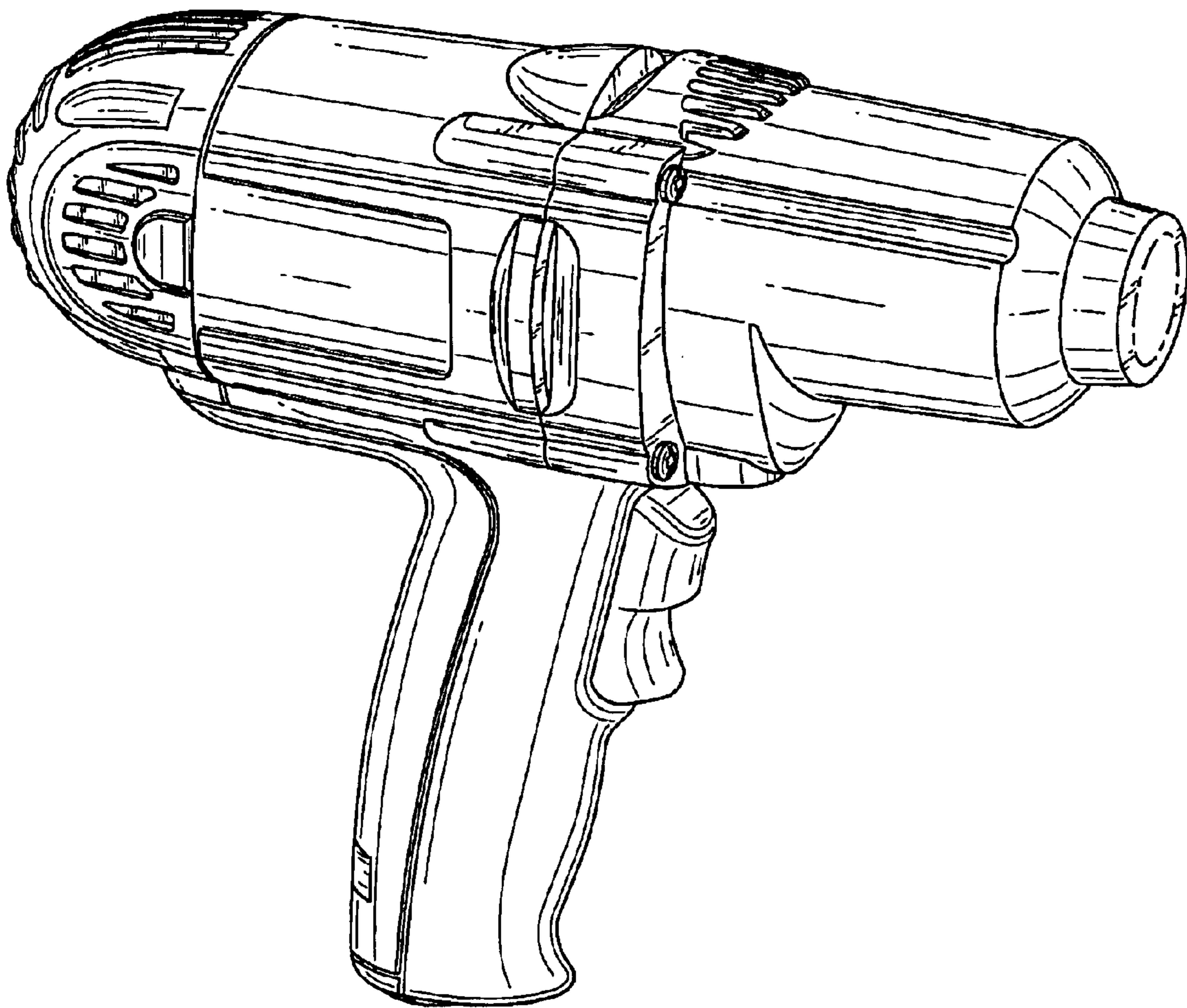


FIG. 1

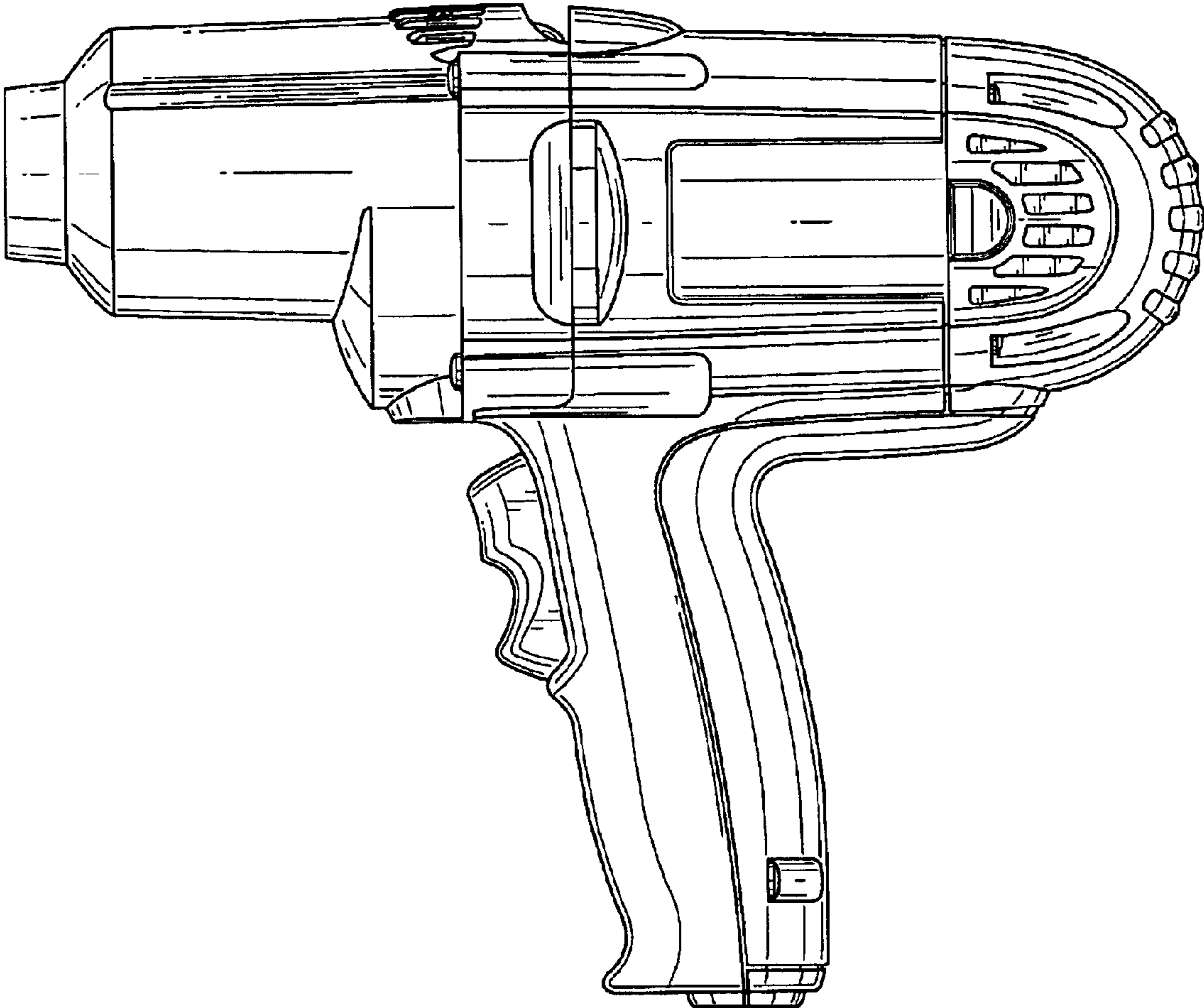


FIG. 2

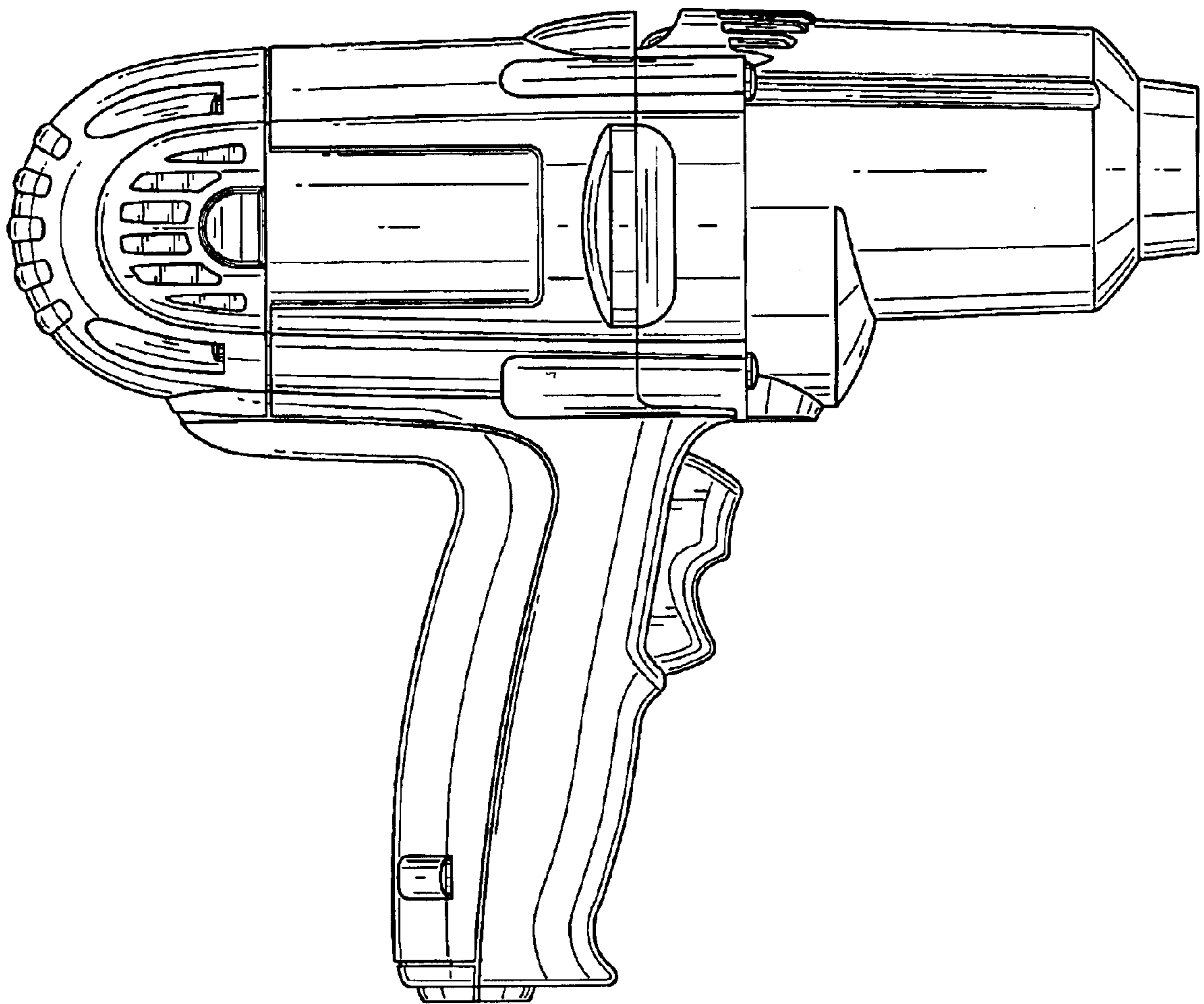


FIG. 3

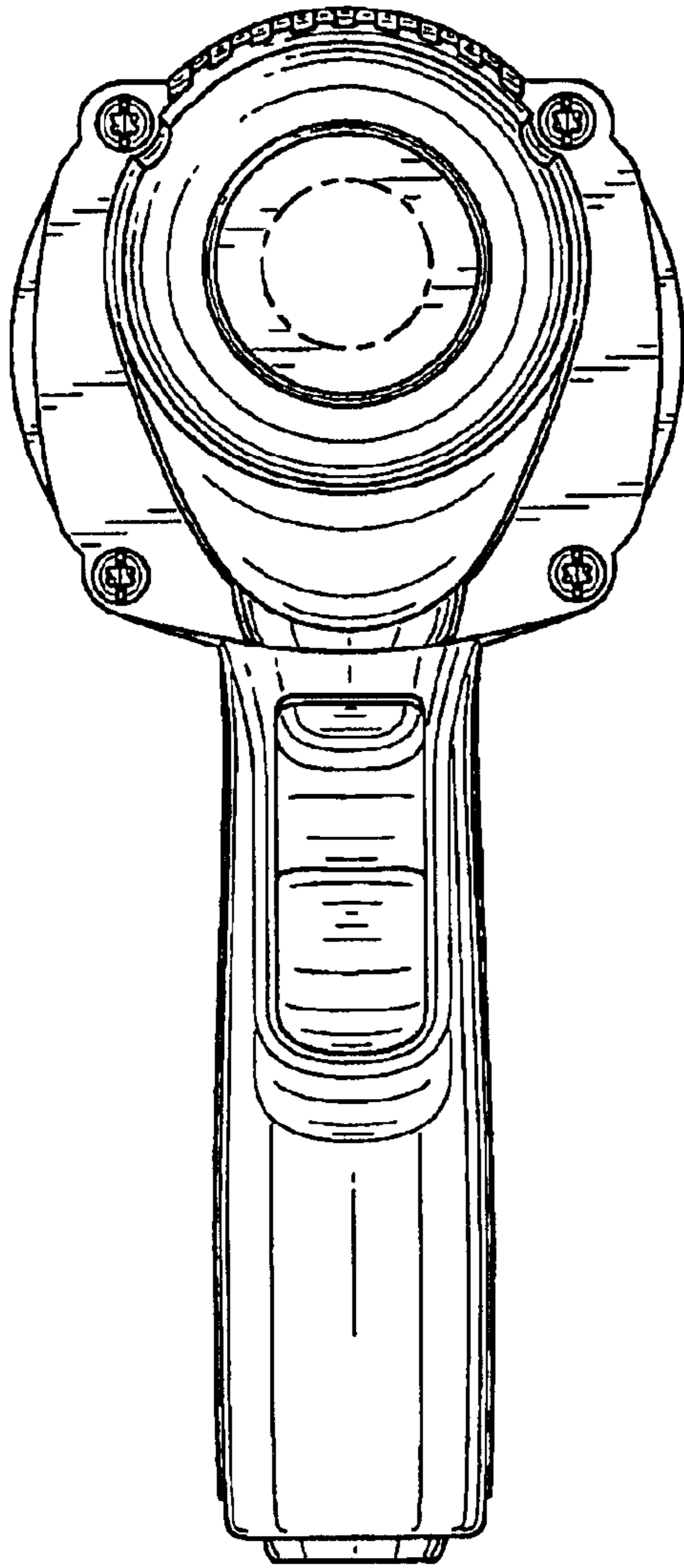


FIG. 4

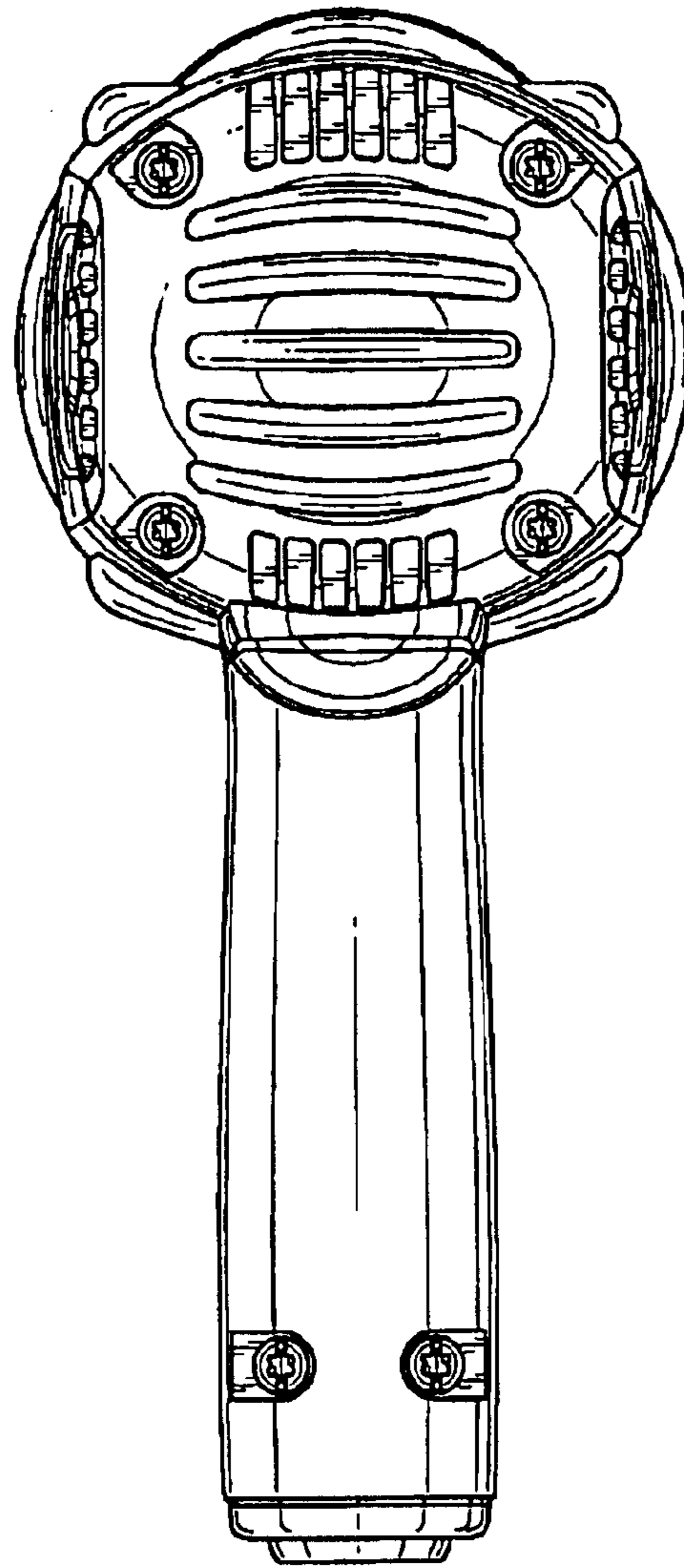


FIG. 5

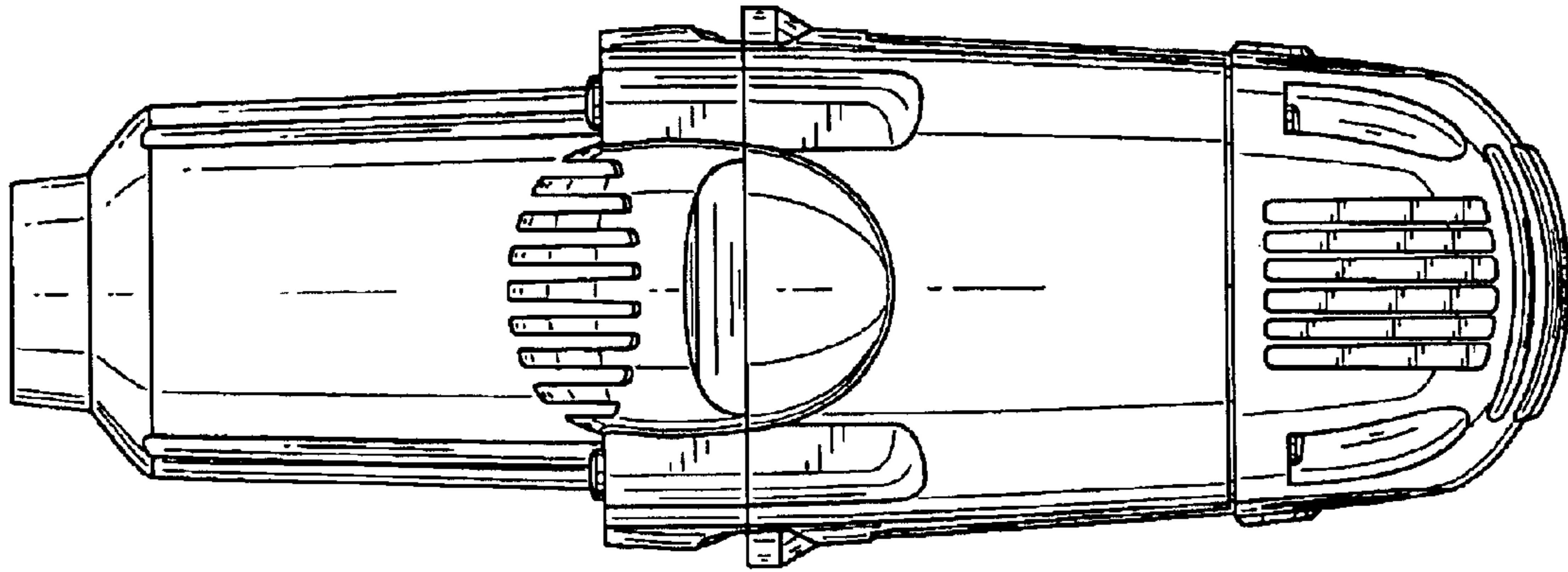


FIG. 6

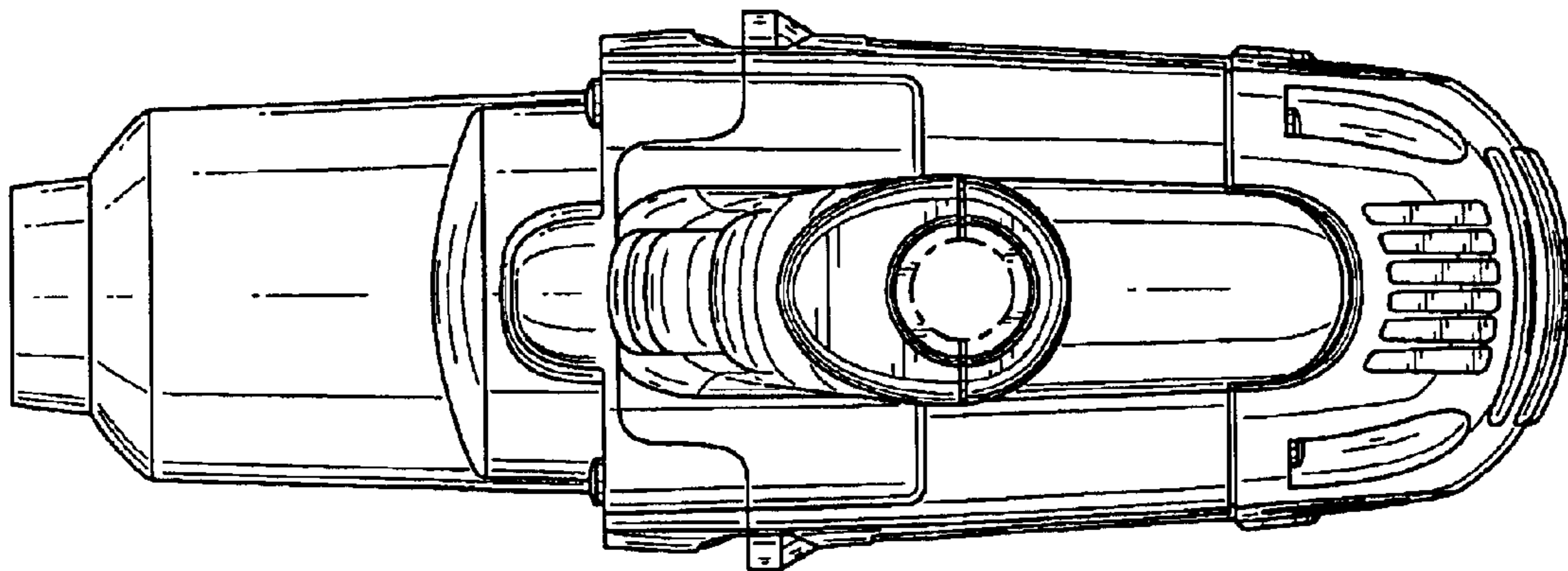


FIG. 7

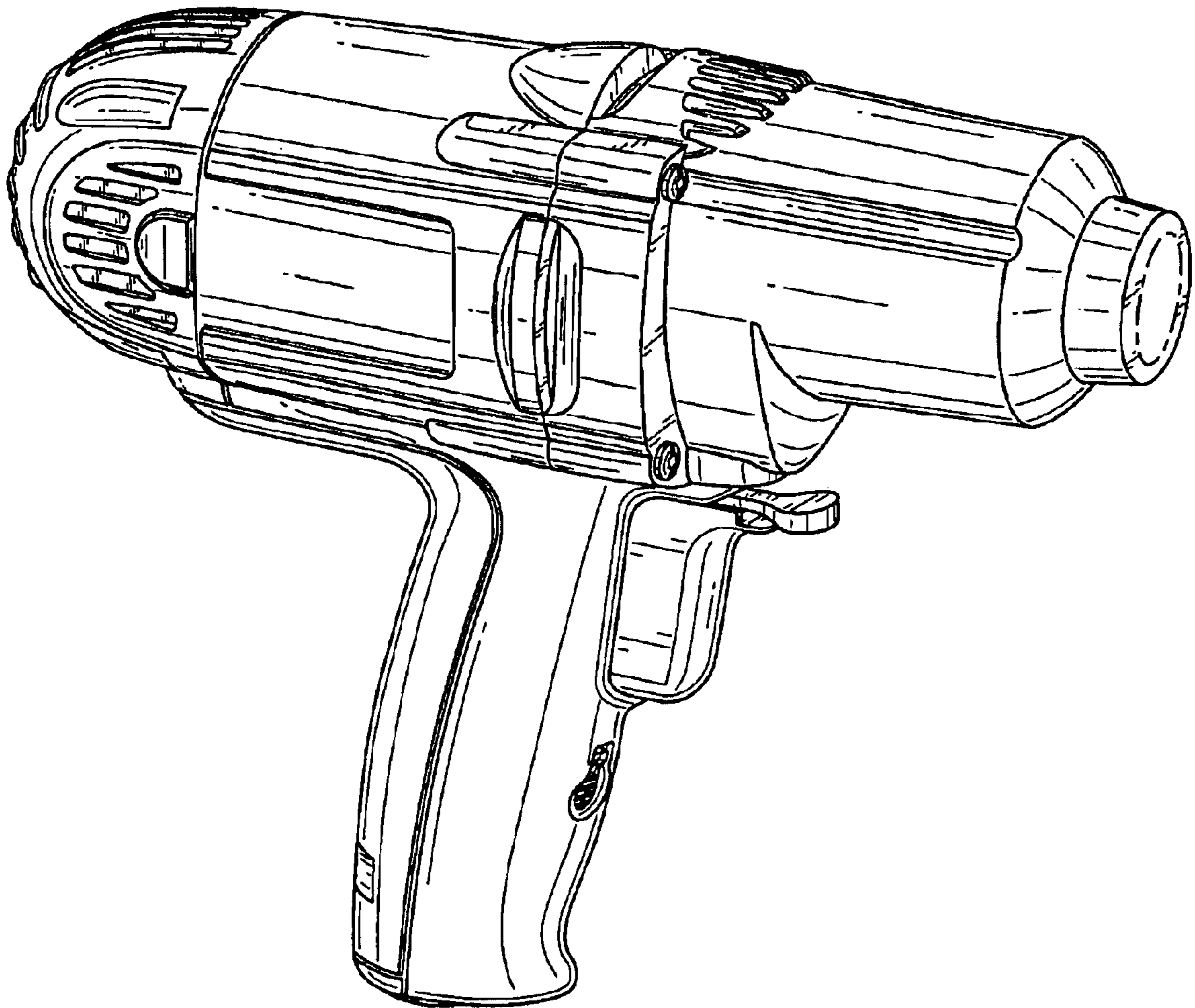


FIG. 8

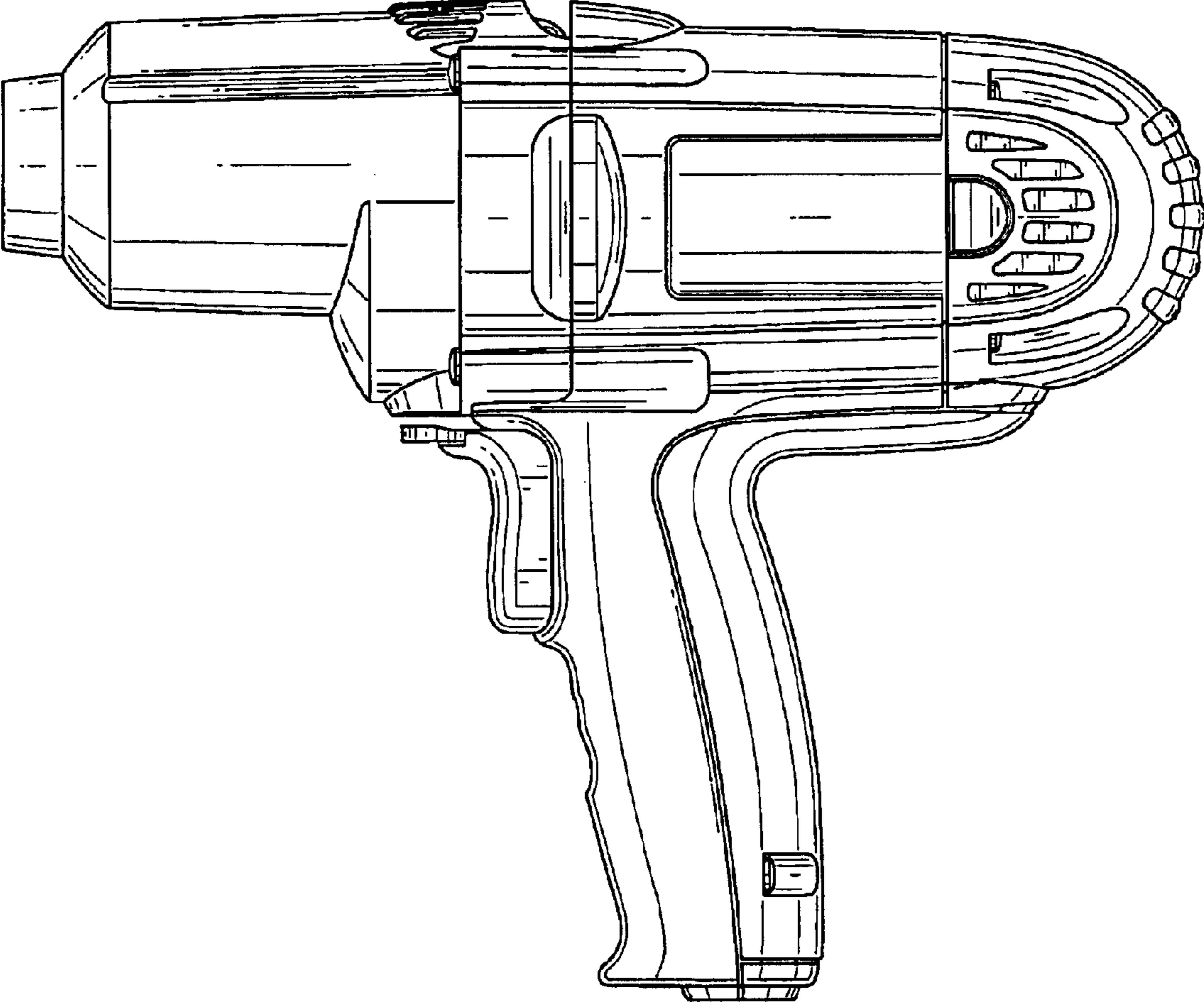


FIG. 9

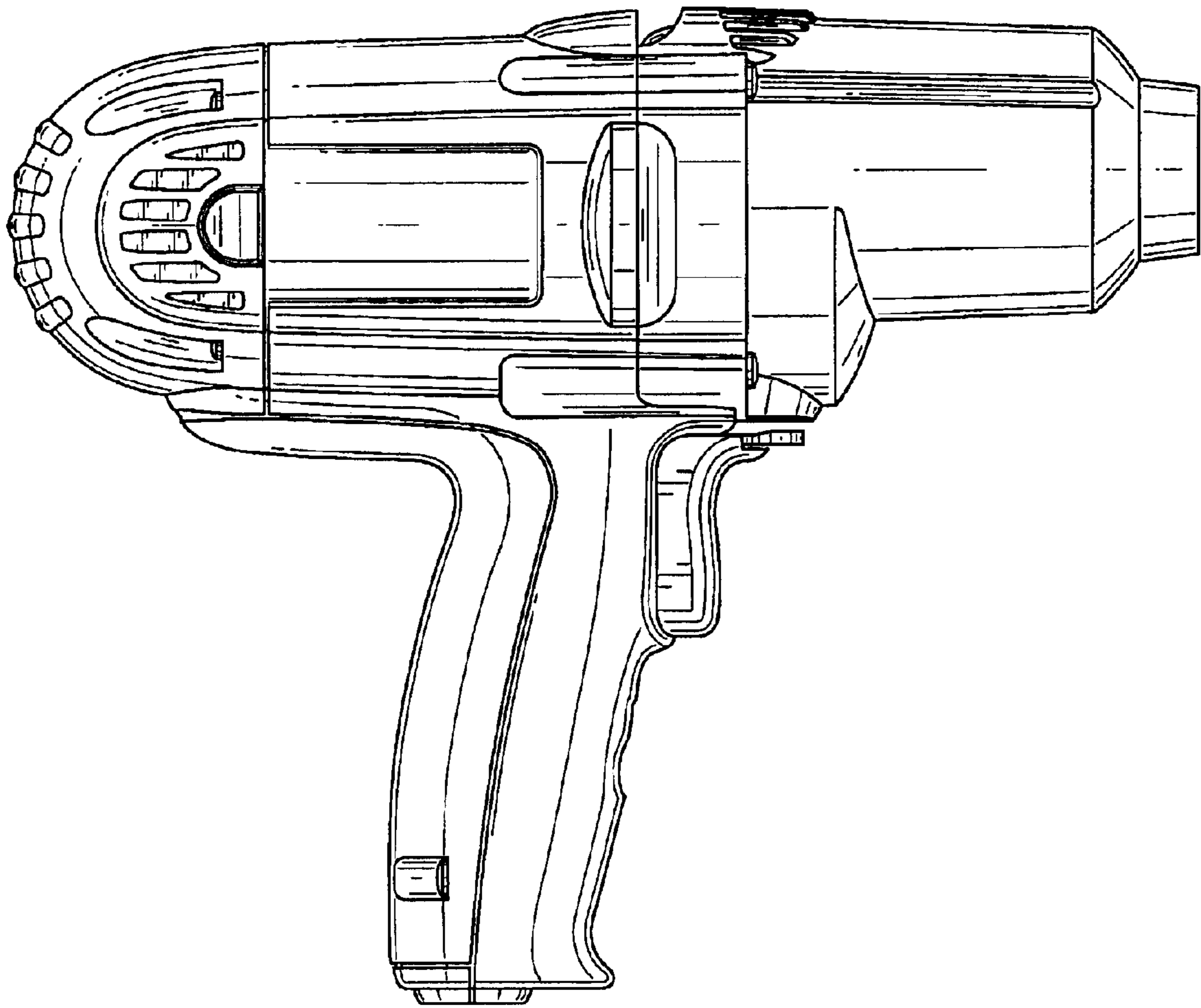


FIG. 10

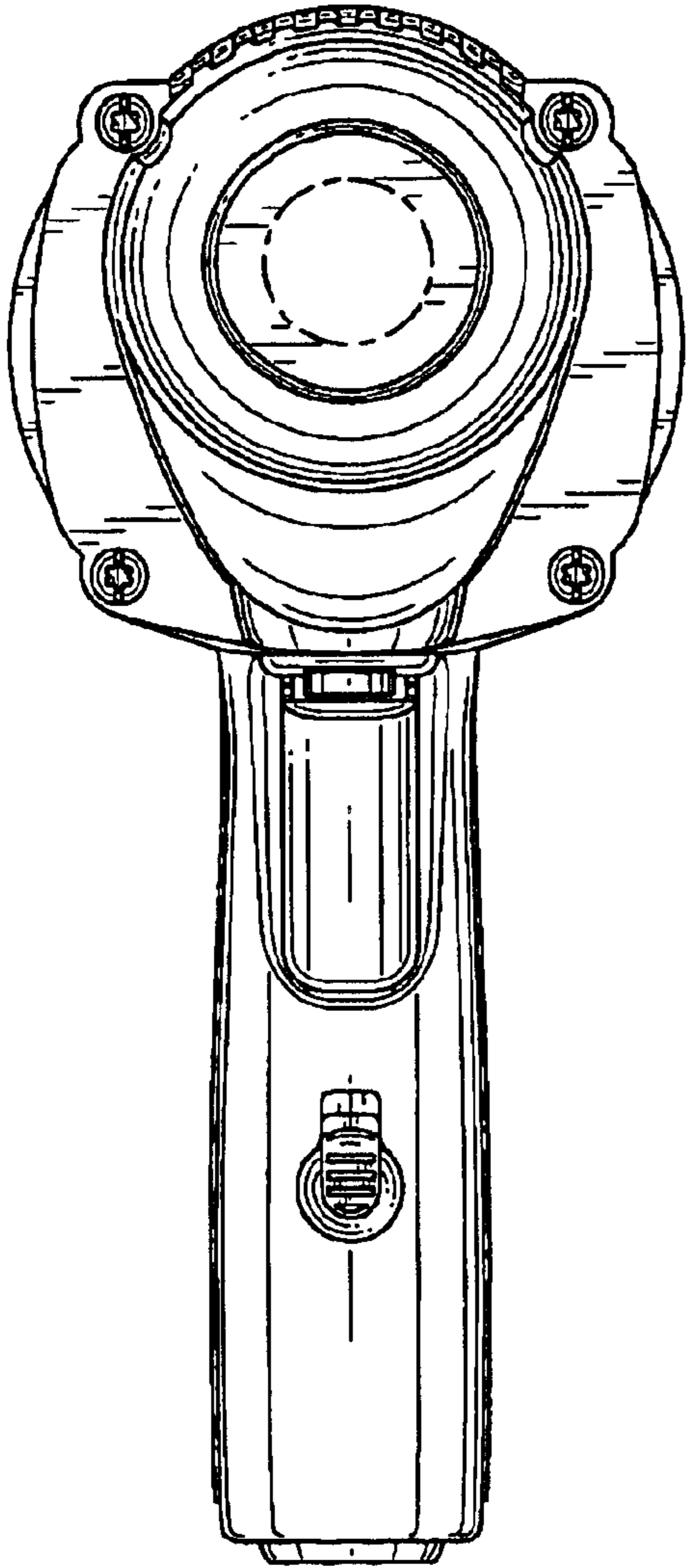


FIG. 11

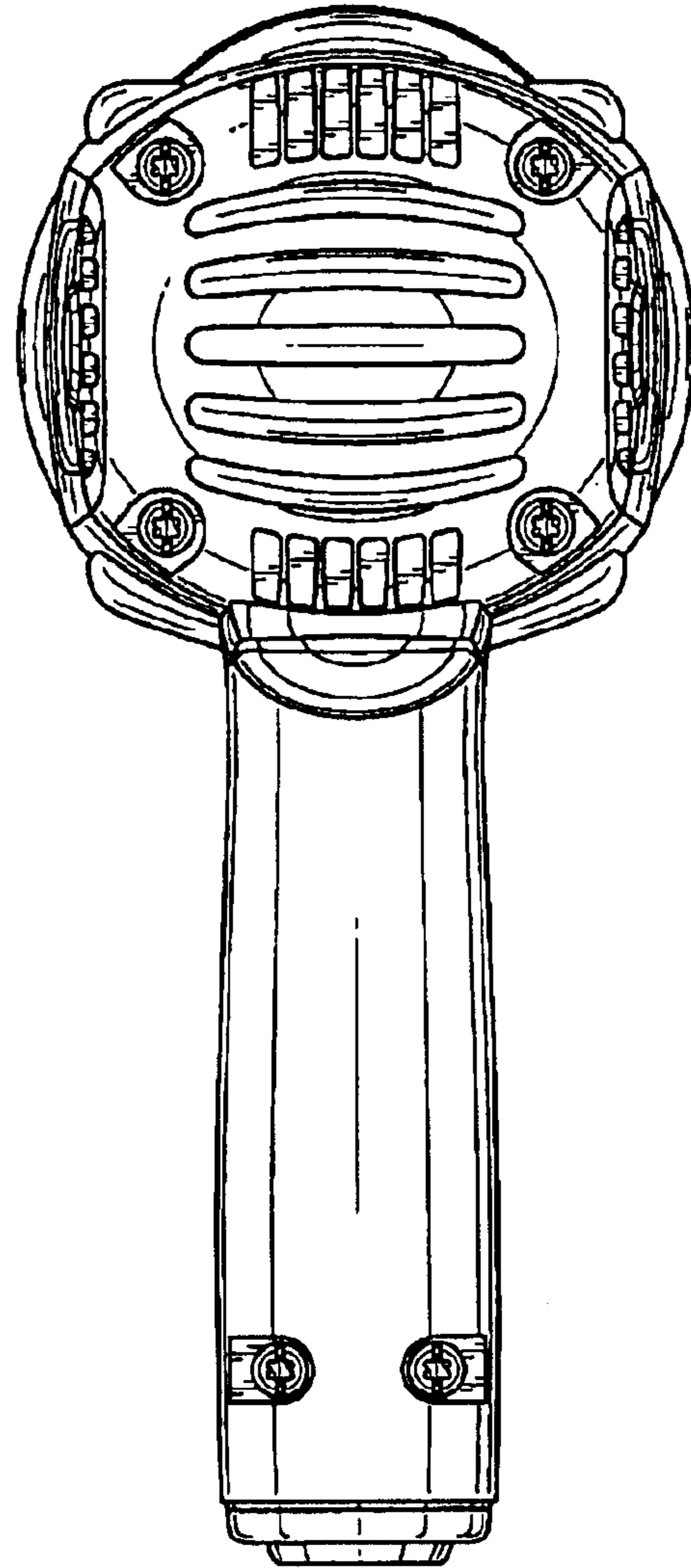


FIG. 12

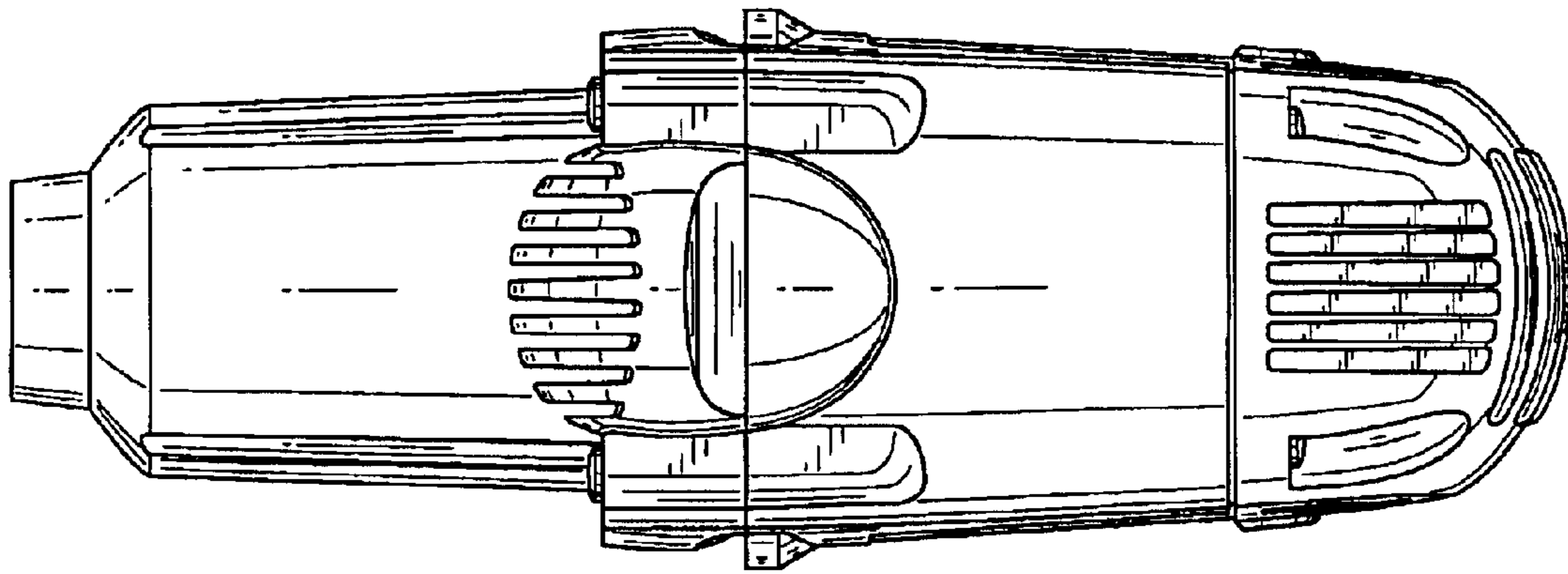


FIG. 13

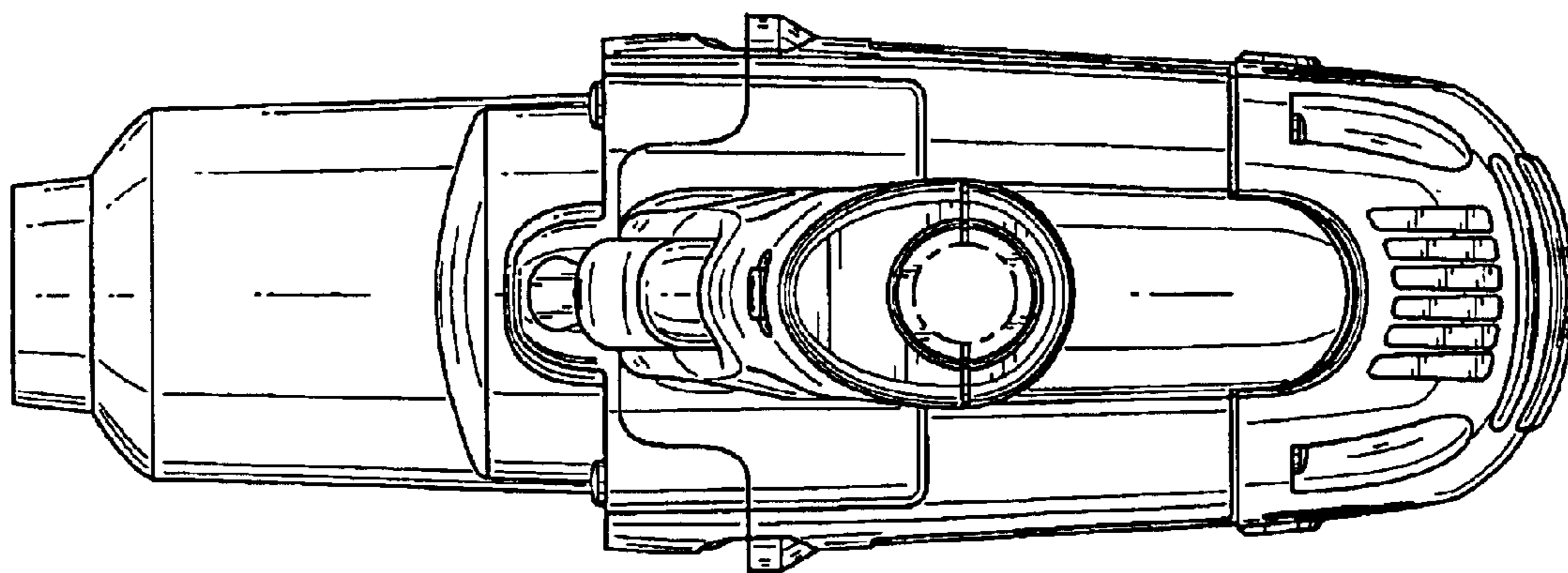


FIG. 14