

US00D497779S1

(12) **United States Design Patent**  
**Giampavolo**

(10) **Patent No.:** **US D497,779 S**

(45) **Date of Patent:** **\*\* Nov. 2, 2004**

(54) **CUP HOLDER**

5,857,601 A \* 1/1999 Greenwood ..... 248/311.2

(76) **Inventor:** **Paul Giampavolo**, 9 Hasta Way,  
Newton, NJ (US) 07860

\* cited by examiner

(\*\*) **Term:** **14 Years**

*Primary Examiner*—Terry A. Wallace

(74) *Attorney, Agent, or Firm*—Ostrolenk, Faber, Gerb &  
Soffen, LLP

(21) **Appl. No.:** **29/185,472**

(57) **CLAIM**

(22) **Filed:** **Jun. 27, 2003**

The ornamental design for a cup holder, as shown and  
described.

(51) **LOC (7) Cl.** ..... **07-06**

(52) **U.S. Cl.** ..... **D7/620**

(58) **Field of Search** ..... D7/619.1, 620,  
D7/622, 624.1–625; 211/71.01, 74, 75;  
248/309.1, 311.2, 312.1, 311.3

**DESCRIPTION**

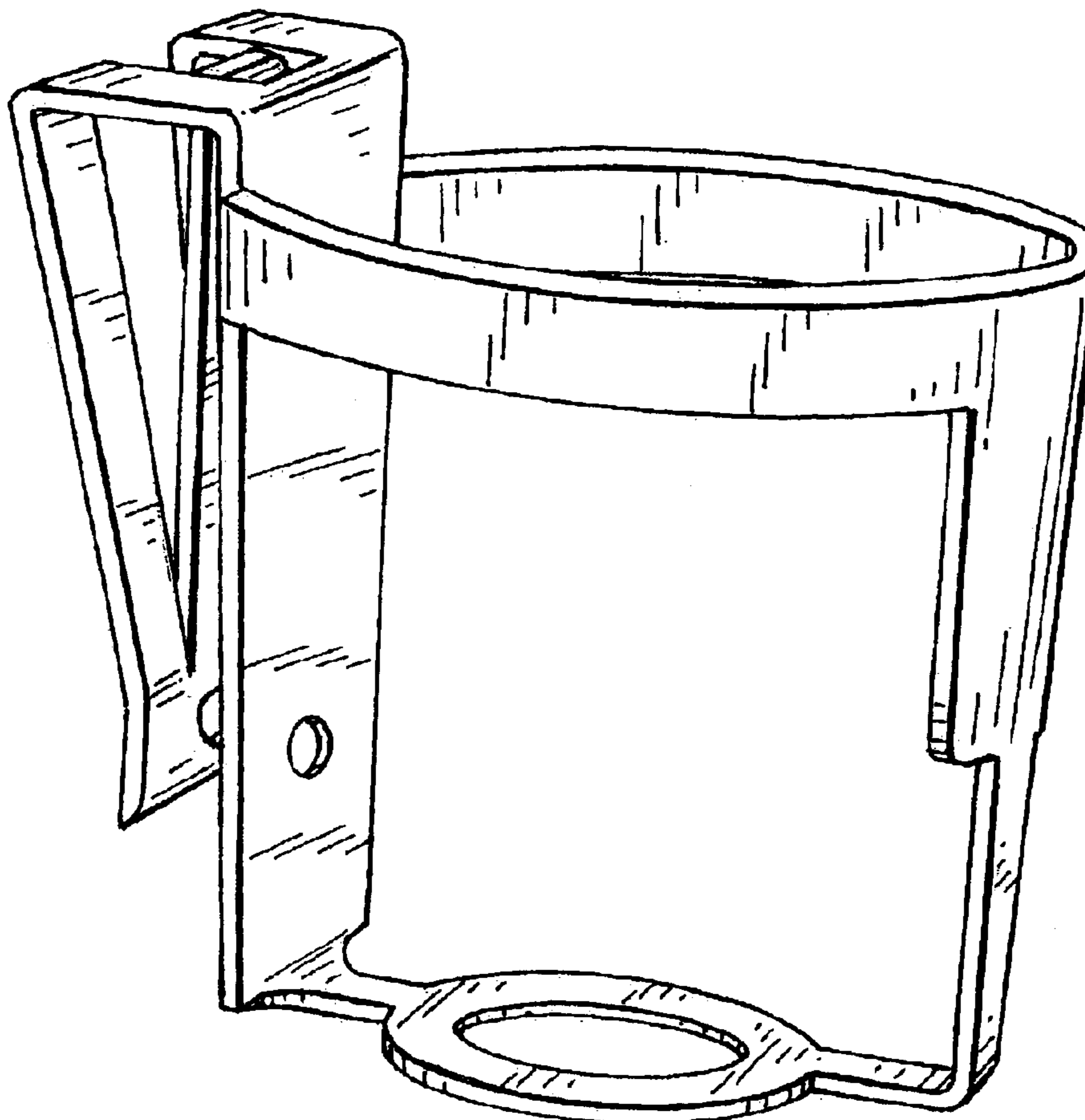
FIG. 1 is a top perspective view of a cup holder showing my  
new design;  
FIG. 2 is a plan view of the design of FIG. 1;  
FIG. 3 is a right side view of the design of FIG. 1, the  
opposite left side view being a mirror image;  
FIG. 4 is a bottom view of the design of FIG. 1;  
FIG. 5 is a front side view of the design of FIG. 1; and,  
FIG. 6 is a rear view of the design of FIG. 1.

(56) **References Cited**

**U.S. PATENT DOCUMENTS**

D309,848 S	*	8/1990	Sokolski et al.	.....	D7/620
D325,495 S	*	4/1992	Rowles	.....	D7/620
D373,935 S	*	9/1996	Cole et al.	.....	D7/621
D401,121 S	*	11/1998	Hartmann et al.	.....	D7/620

**1 Claim, 3 Drawing Sheets**



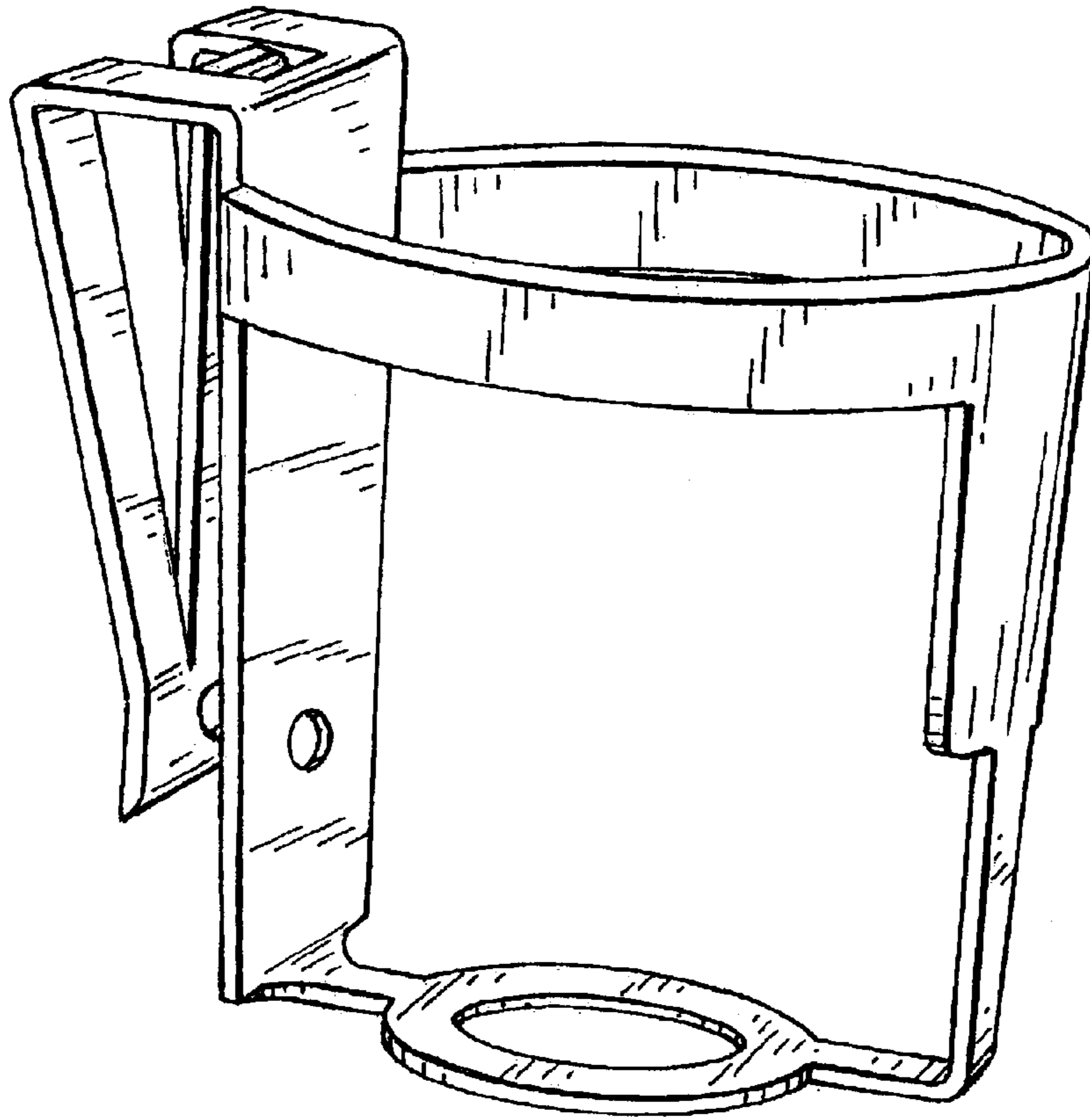


FIG. 1

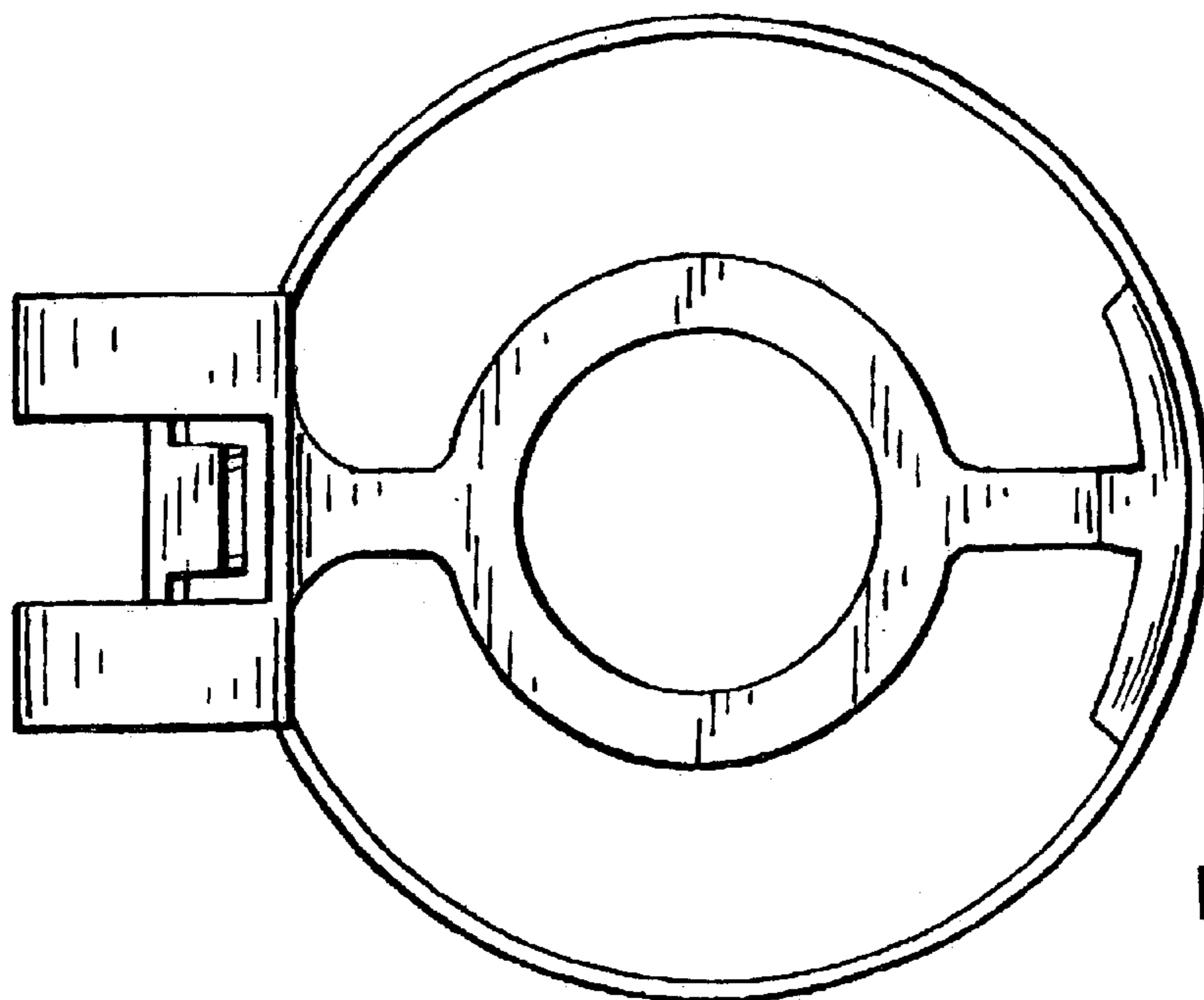


FIG. 2

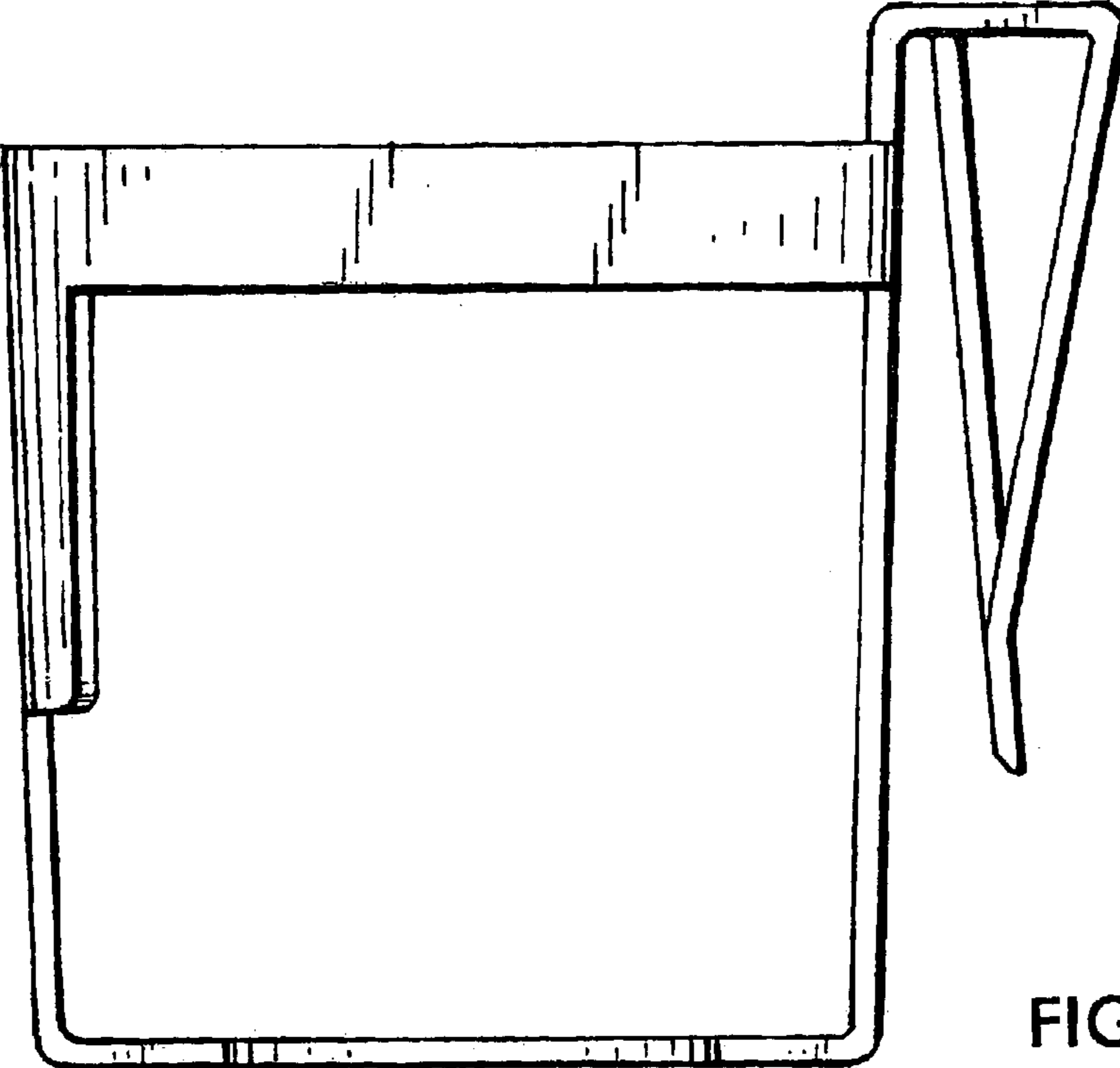


FIG. 3

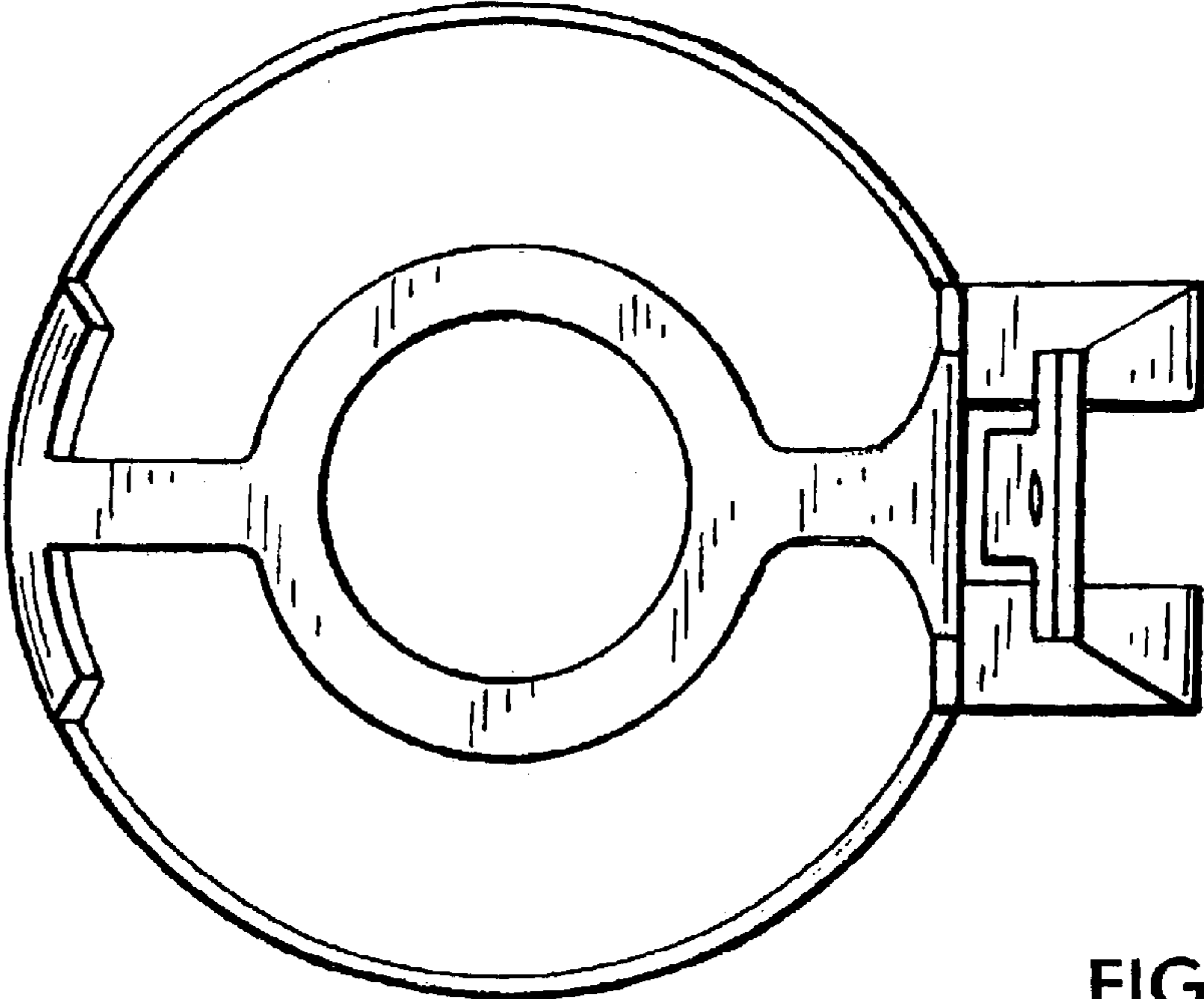


FIG. 4

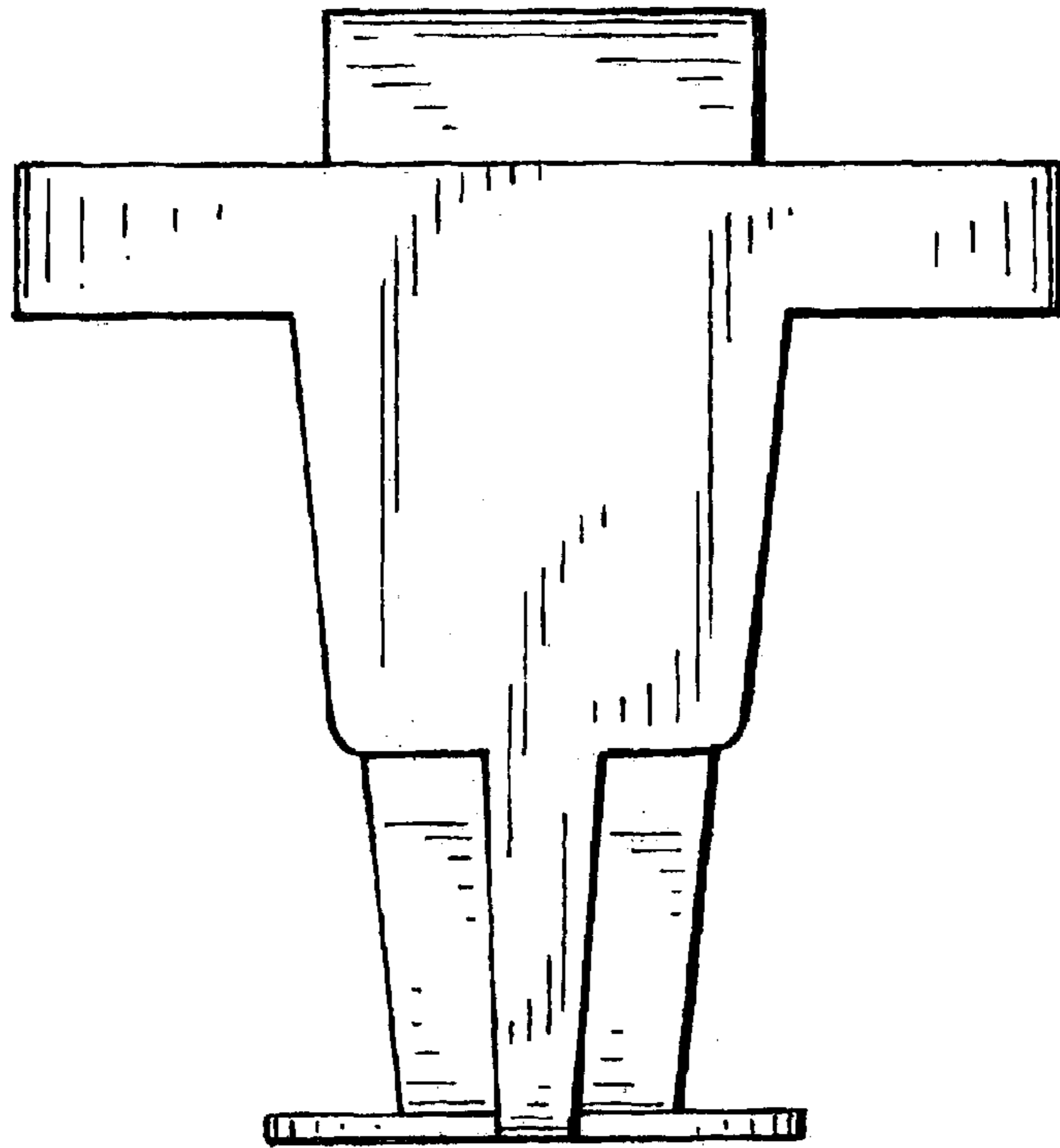


FIG. 5

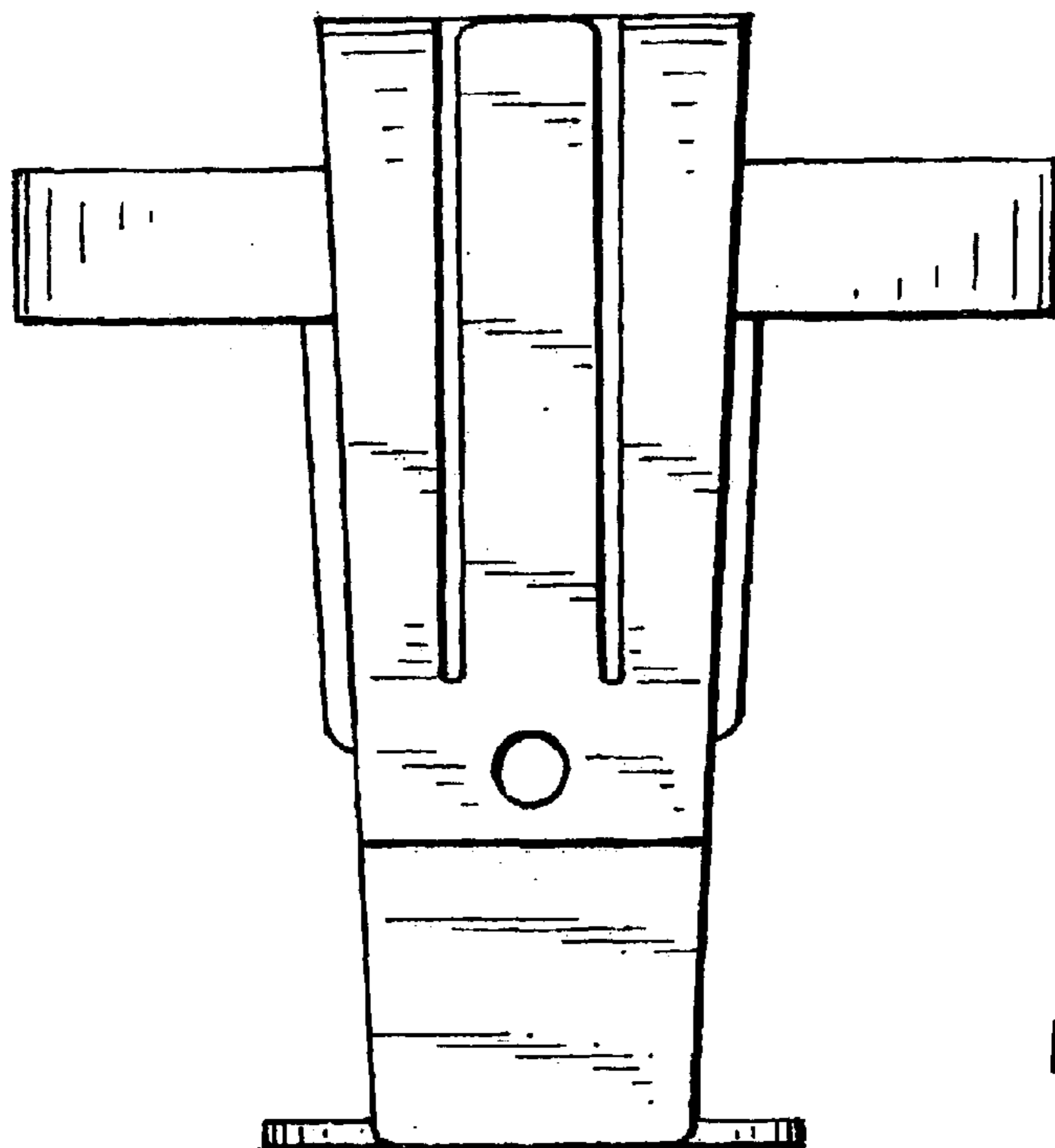


FIG. 6