

US00D497778S1

(12) **United States Design Patent**  
**Rich**

(10) **Patent No.:** **US D497,778 S**

(45) **Date of Patent:** **\*\* Nov. 2, 2004**

(54) **INSULATED FOOD CONTAINER**  
(76) **Inventor:** **Cynthia R. Rich**, 4509 Hwy. 22 North,  
Franklinville, NC (US) 27248  
(\*\*) **Term:** **14 Years**

5,406,808 A	4/1995	Babb et al. ....	62/457
5,444,992 A	8/1995	Bell .....	62/372
5,555,746 A	9/1996	Thompson .....	62/457.4
5,927,085 A	7/1999	Waldman .....	62/129
6,147,337 A	11/2000	Besser .....	219/730
6,240,741 B1	6/2001	Dozhier .....	62/457.3
6,330,808 B1	12/2001	Kouwenberg et al. ....	62/372

(21) **Appl. No.:** **29/188,225**

\* cited by examiner

(22) **Filed:** **Aug. 14, 2003**

*Primary Examiner*—Terry A. Wallace

(51) **LOC (7) Cl.** ..... **07-01**

(57) **CLAIM**

(52) **U.S. Cl.** ..... **D7/608**

The ornamental design for an insulated food container, as shown and described.

(58) **Field of Search** ..... D7/605–608, 709,  
D7/510, 511; D9/500, 503, 504, 549, 559,  
574, 575; 62/457.1–457.8, 371, 372; 215/6,  
12.1, 12.2, 13.1, 396, 398; 220/592.16–592.27

**DESCRIPTION**

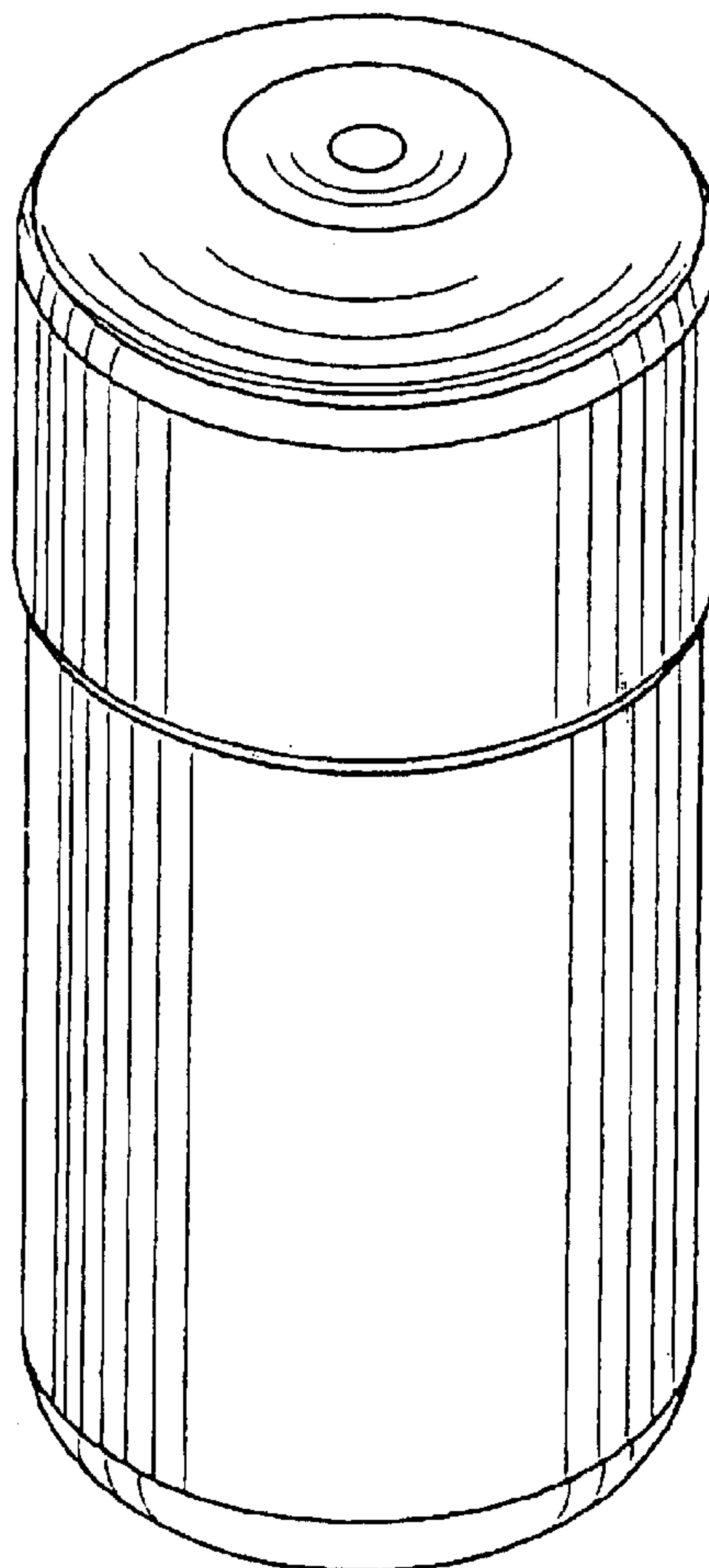
(56) **References Cited**

FIG. 1 is a top, front perspective view of an insulated food container embodying my design;  
FIG. 2 is a side elevational view thereof, all sides being identical;  
FIG. 3 is a top plan view thereof;  
FIG. 4 is a bottom plan view thereof; and,  
FIG. 5 is a perspective view of the insulated food container showing the outer lid exploded therefrom.

**U.S. PATENT DOCUMENTS**

D261,088 S	*	10/1981	Akimov et al. ....	D7/608
D274,209 S	*	6/1984	Kikuchi .....	D7/606
4,537,044 A	*	8/1985	Putnam .....	62/371
4,768,354 A		9/1988	Barnwell .....	62/457
4,961,324 A		10/1990	Allan .....	62/400
5,186,350 A	*	2/1993	McBride .....	220/739

**1 Claim, 2 Drawing Sheets**



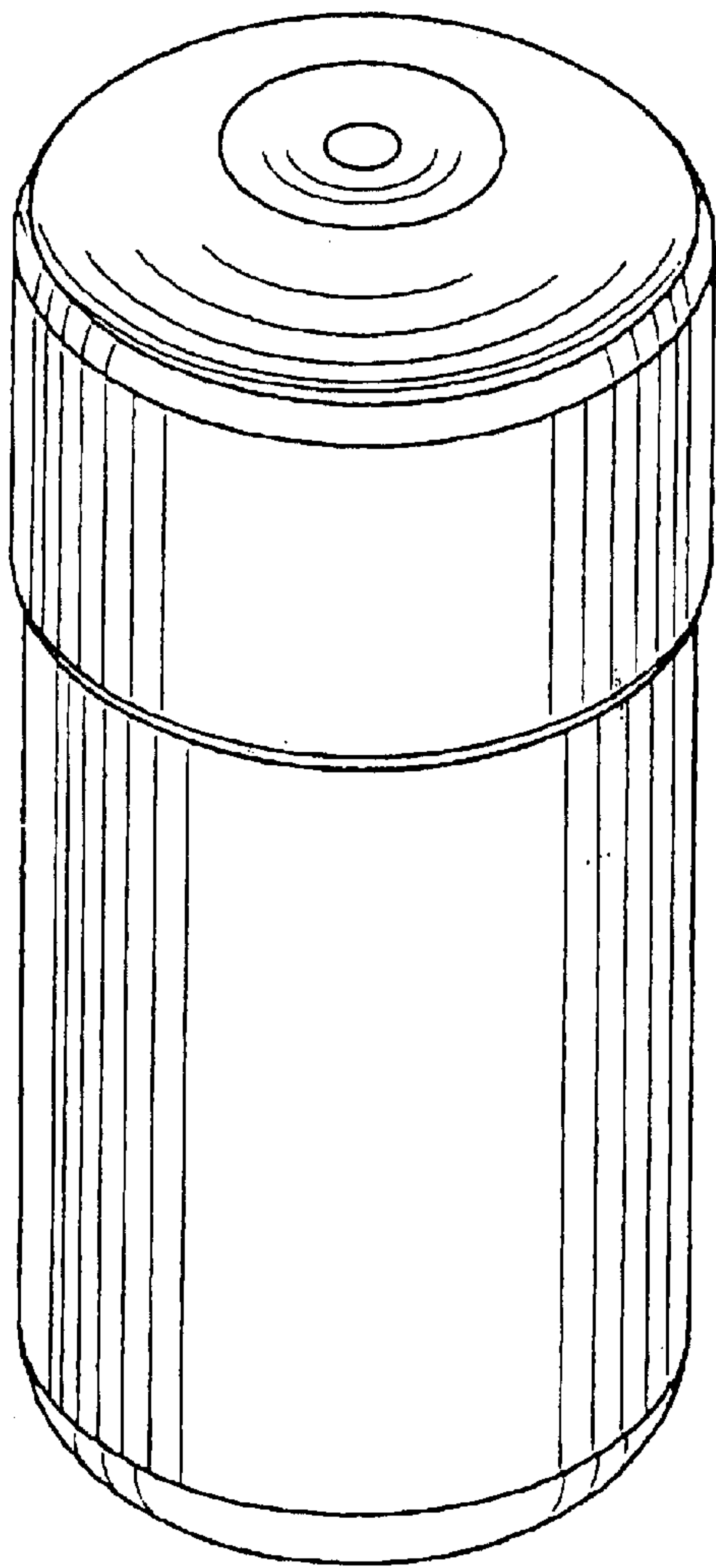


FIG. 1

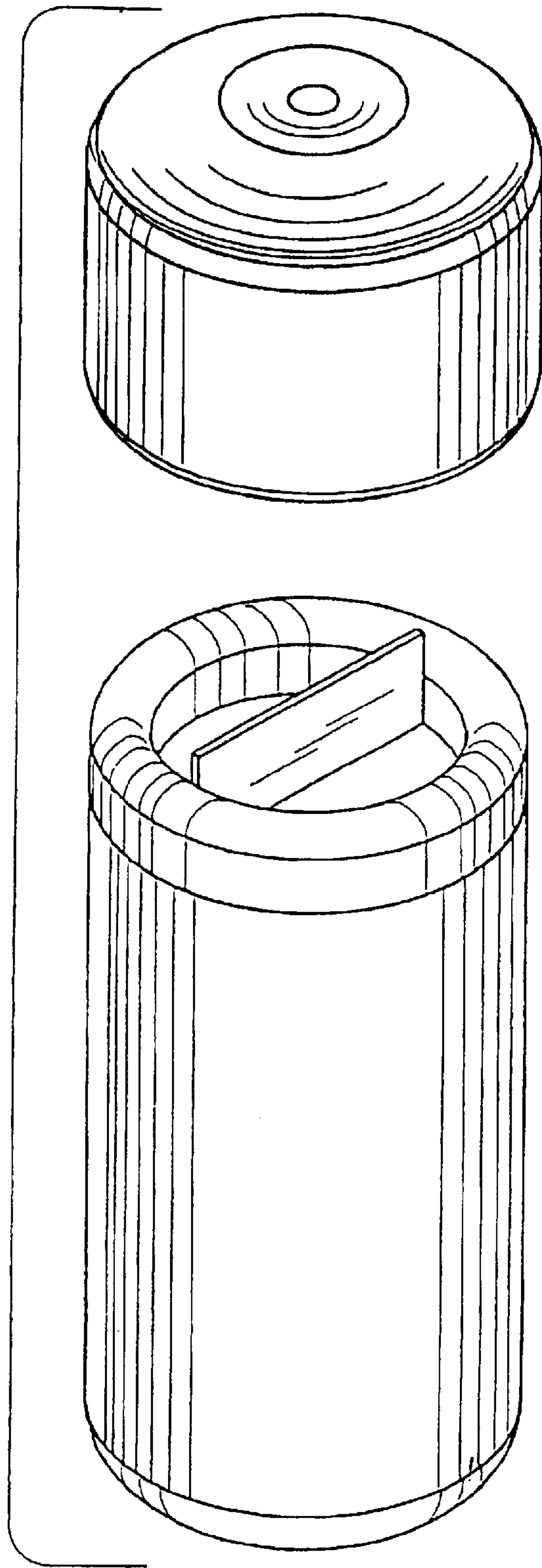


FIG. 5

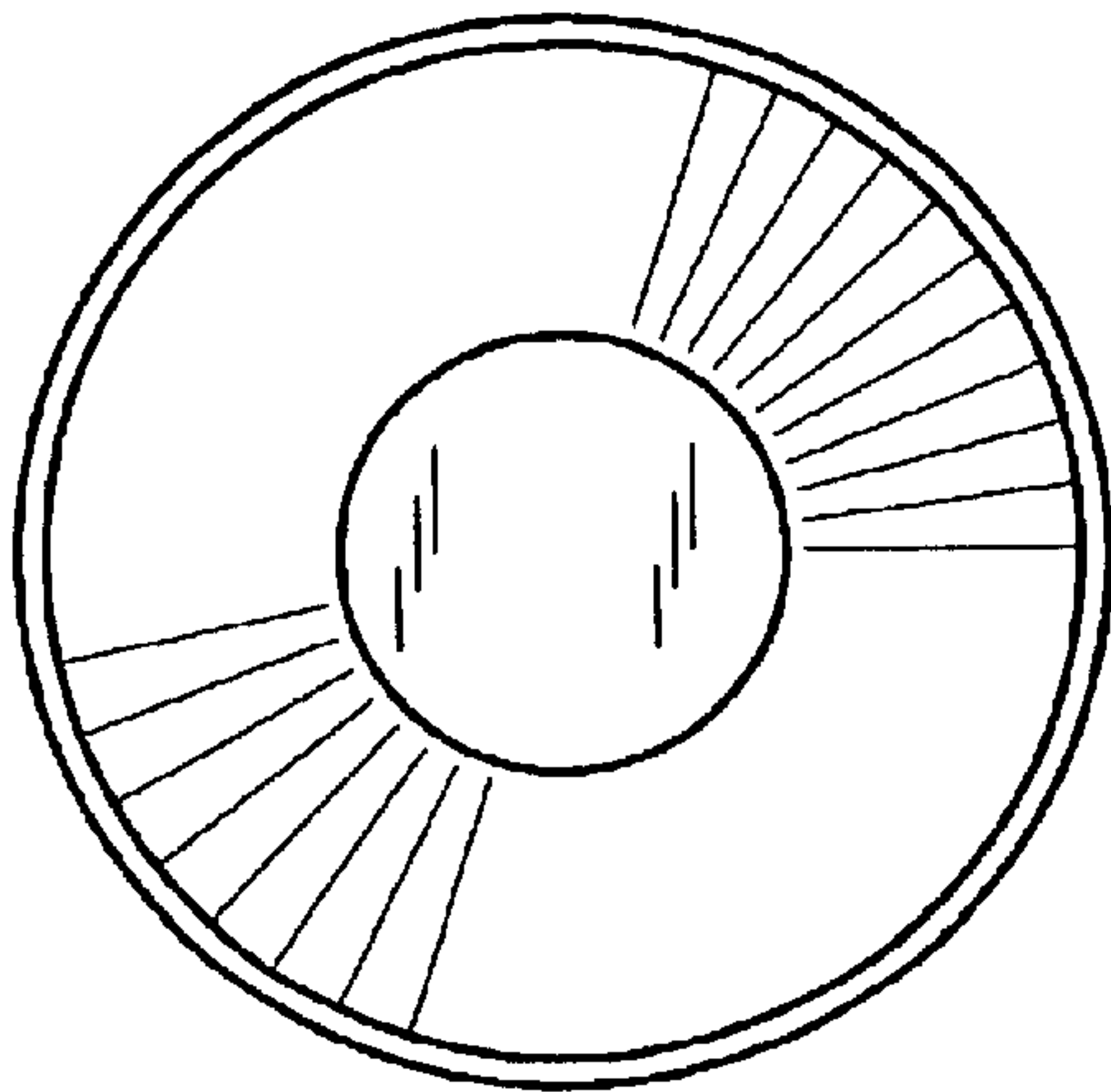


FIG. 3

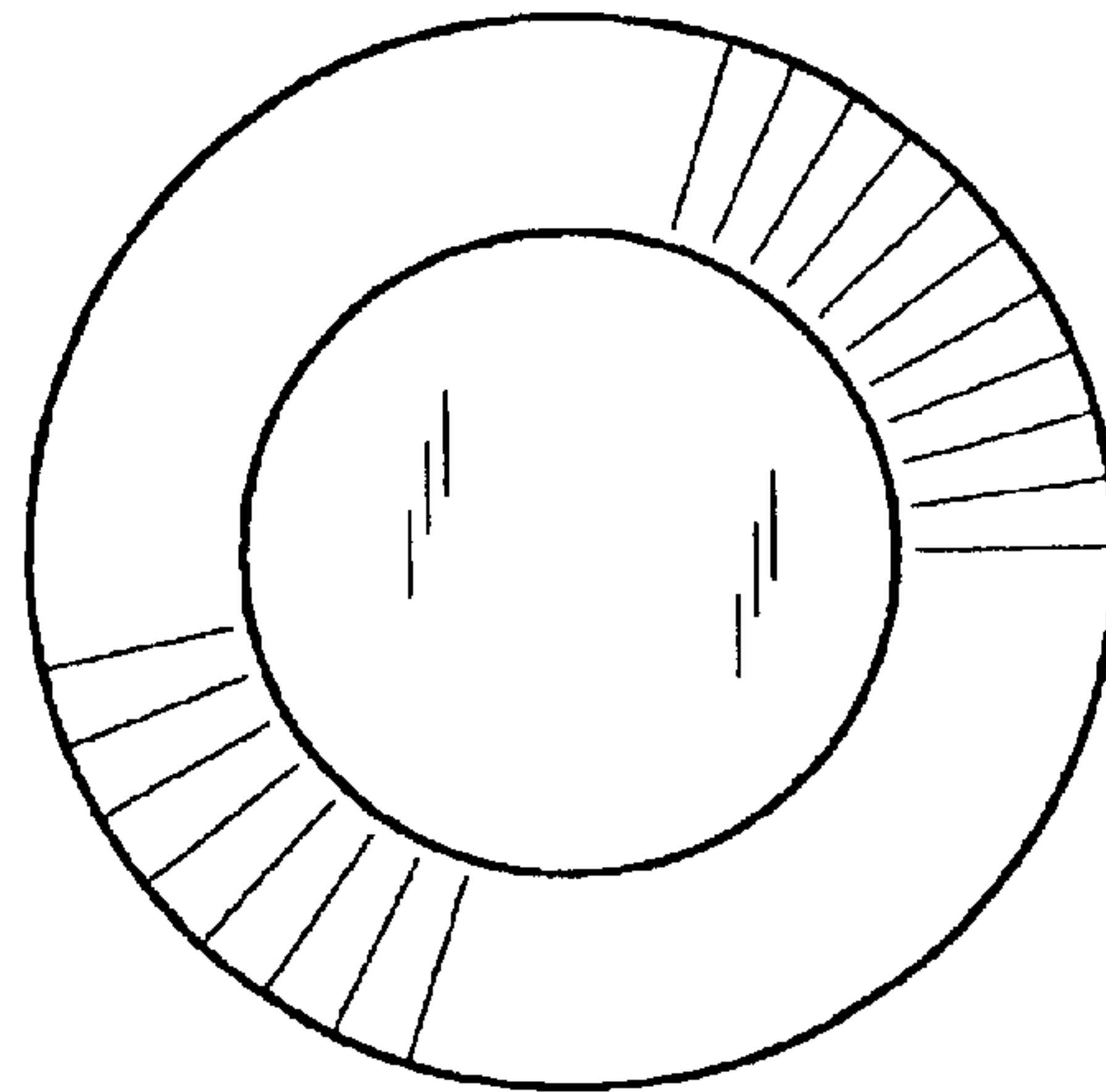


FIG. 4

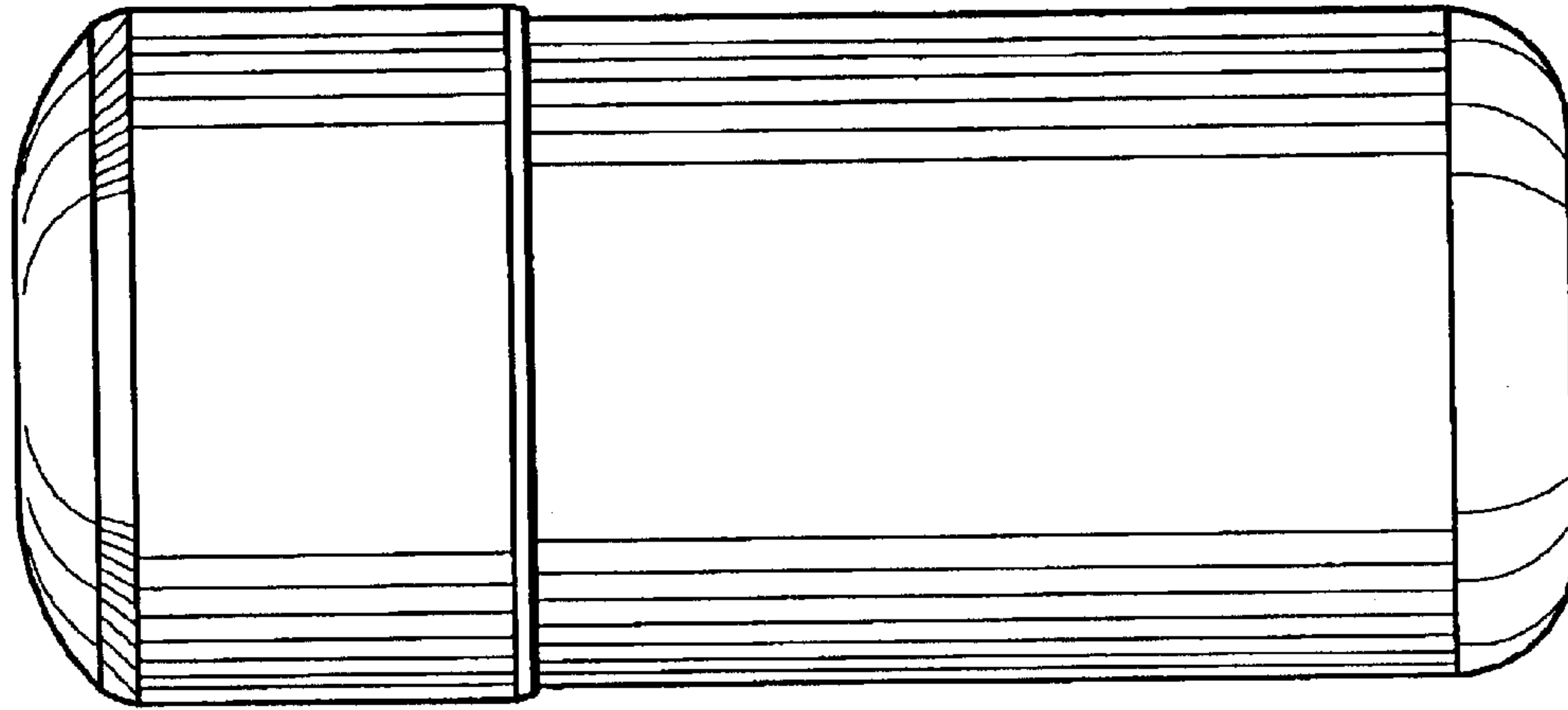


FIG. 2