

US00D49777S1

(12) **United States Design Patent** (10) **Patent No.:** **US D497,777 S**
Sanders et al. (45) **Date of Patent:** **** Nov. 2, 2004**

(54) **COMBINED WINE COOLER AND ICE BUCKET**

(75) Inventors: **Julian David Sanders**, Mid Glamorgan (GB); **Matthew Ian Blofeld**, Cardiff (GB)

(73) Assignee: **Le Creuset S.A.**, Fresnoy-le-Grand (FR)

(**) Term: **14 Years**

(21) Appl. No.: **29/187,473**

(22) Filed: **Jul. 31, 2003**

(30) **Foreign Application Priority Data**

Jan. 31, 2003 (GB) 3010561

(51) **LOC (7) Cl.** **07-01**

(52) **U.S. Cl.** **D7/603**

(58) **Field of Search** D7/603-608, 624.1-624.3; 62/457.1-457.5, 530; 220/737, 739, 902, 903

(56) **References Cited**

U.S. PATENT DOCUMENTS

D216,037 S * 11/1969 Douglas D7/608

(List continued on next page.)

Primary Examiner—Terry A. Wallace

(74) *Attorney, Agent, or Firm*—Gary L. Bush; Andrews Kurth LLP

(57) **CLAIM**

The ornamental design of a combined wine cooler and ice bucket, as illustrated and described.

DESCRIPTION

FIG. 1 is a perspective view of the combined wine cooler and ice bucket assembly in a wine cooler configuration according to the invention;

FIG. 2 is a bottom view of the combined wine cooler and ice bucket assembly in the wine cooler configuration of FIG. 1 showing a sealing lid in place at the bottom of the assembly;

FIG. 3 is a left side view of the combined wine cooler and ice bucket assembly in the wine cooler configuration of FIG. 1;

FIG. 4 is a front view of the combined wine cooler and ice bucket assembly in the wine cooler configuration of FIG. 1;

FIG. 5 is a top view of the combined wine cooler and ice bucket assembly in the wine cooler configuration of FIG. 1;

FIG. 6 is a back view of the combined wine cooler and ice bucket assembly in the wine cooler configuration of FIG. 1;

FIG. 7 is a right side view partially in cross section of the combined wine cooler and ice bucket assembly in the wine cooler configuration of FIG. 1 with the cross section showing a dual function lid to produce a bottle holder, the dual function lid in place with split collars after being inserted through the bottom of FIG. 1;

FIG. 8 is a perspective view of the combined wine cooler and ice bucket assembly in ice bucket configuration where the assembly of FIG. 1 has been turned upside down with the sealing lid of FIG. 2 being visible;

FIG. 9 is a bottom view of FIG. 8 which is also a top perspective view looking down on the combined wine cooler and ice bucket assembly in ice bucket configuration after the dual function lid of FIG. 7 has been removed from its position in FIG. 7 and placed at the top of the assembly, with the split collars of the wine cooler configuration removed from the assembly;

FIG. 10 is a left side view of the upside down combined wine cooler and ice bucket assembly in the ice bucket configuration of FIG. 8;

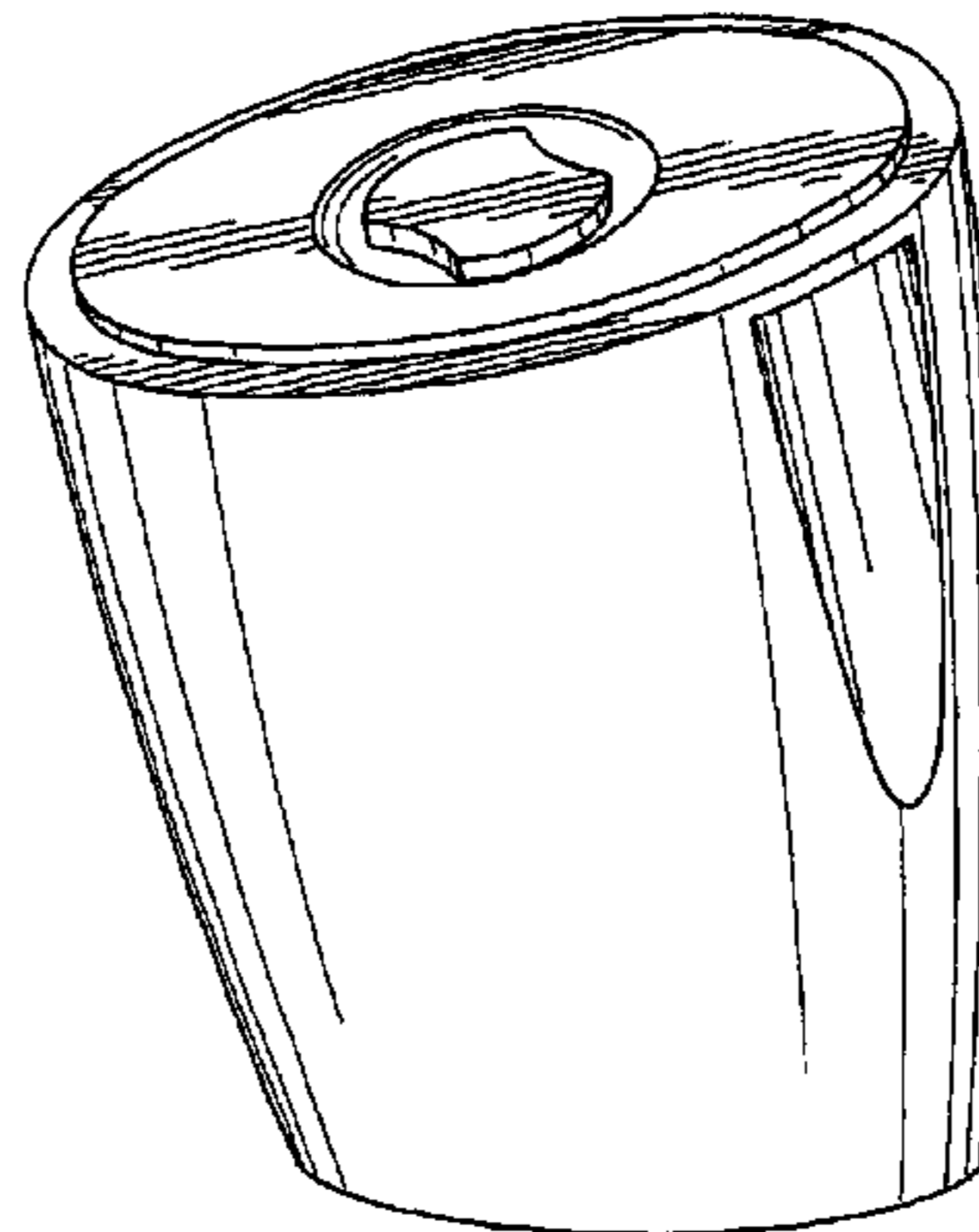
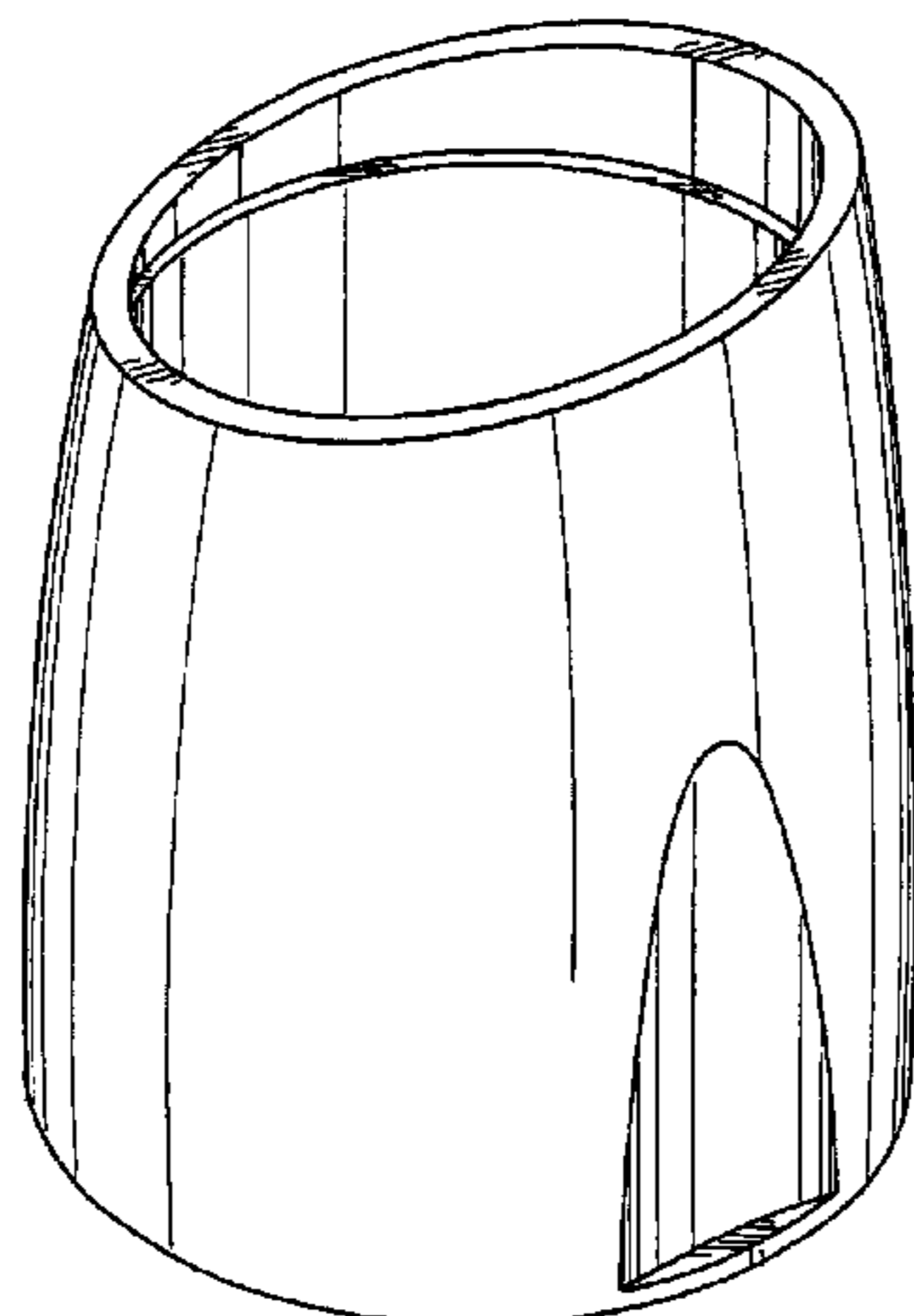
FIG. 11 is a front view of the upside down combined wine cooler and ice bucket assembly in the ice bucket configuration of FIG. 8;

FIG. 12 is a top view of the upside down combined wine cooler and ice bucket assembly of FIG. 8 in the ice bucket configuration which is also a bottom view of the assembly;

FIG. 13 is a back view of the upside down combined wine cooler and ice bucket assembly FIG. 8; and,

FIG. 14 is a right side view partially in cross section of the upside down combined wine cooler and ice bucket assembly configuration of FIG. 8 the sealing lid at the top of the Figure and the dual function lid at the bottom of the Figure which serves as a lid for the top of the assembly in the ice bucket configuration.

1 Claim, 6 Drawing Sheets



US D497,777 S

Page 2

U.S. PATENT DOCUMENTS

D300,495 S * 4/1989 Minuti D7/608
5,090,213 A * 2/1992 Glassman 62/457.3 * cited by examiner

D370,300 S * 5/1996 Gottvald et al. D7/603

FIG. 1

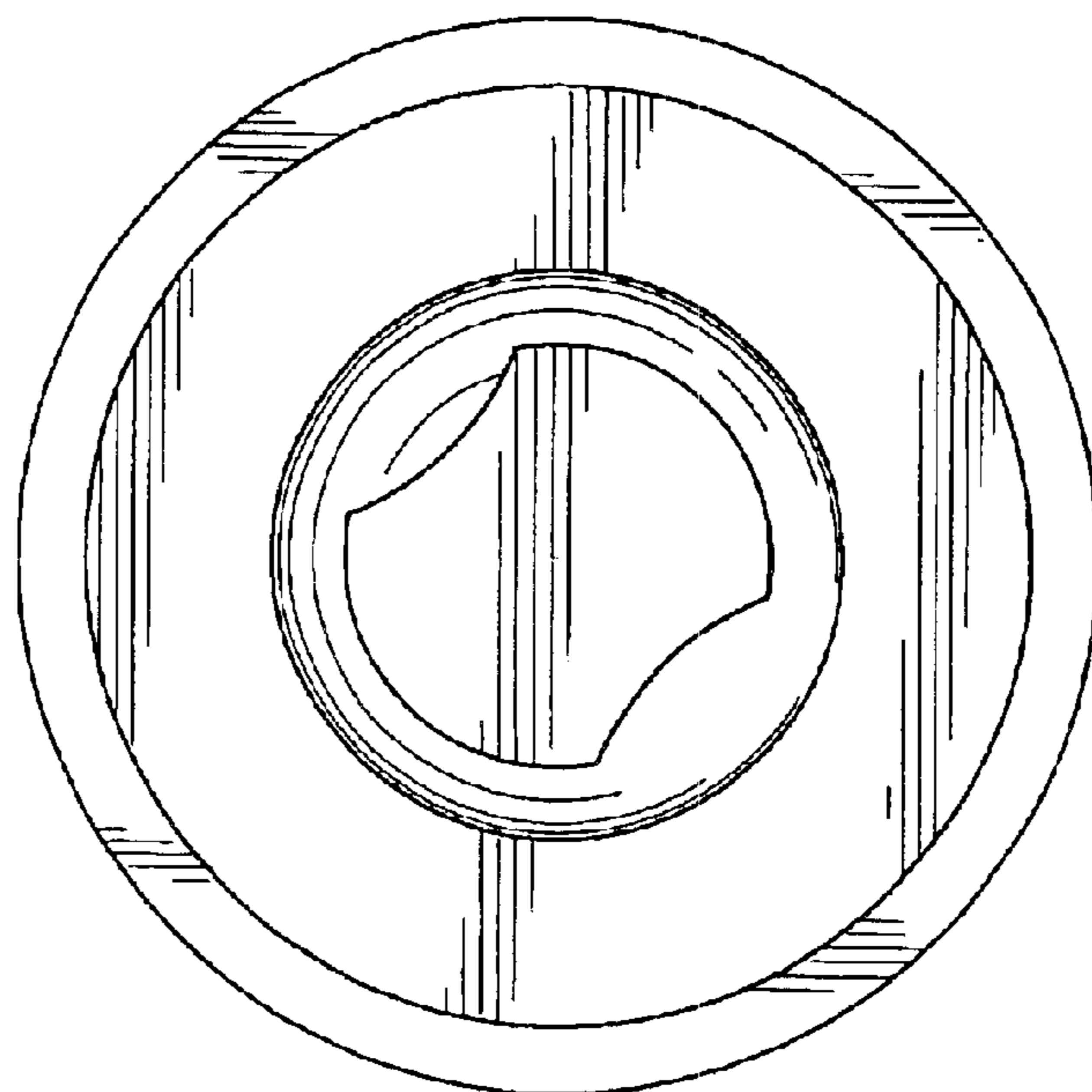
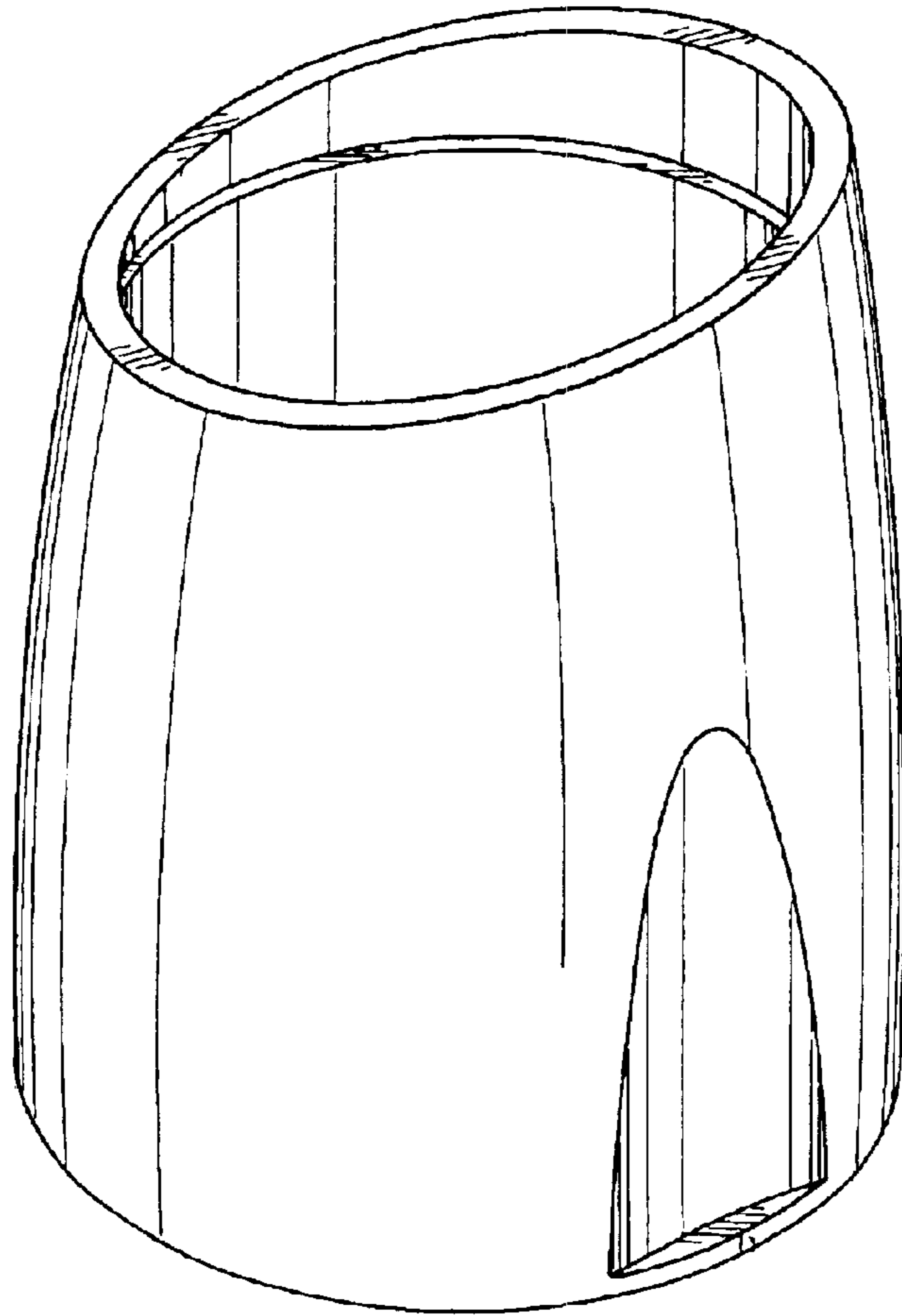


FIG. 2

FIG. 4

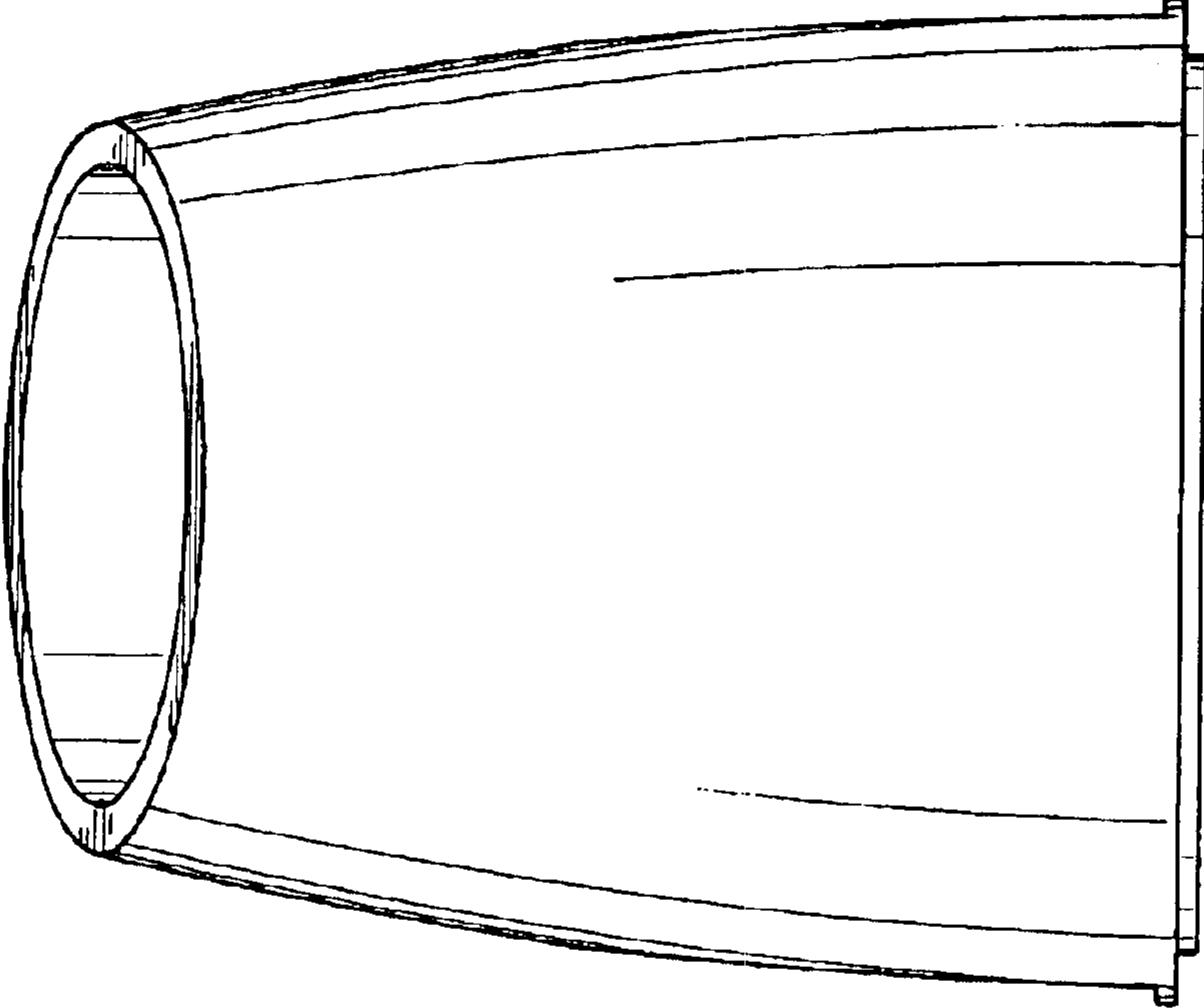
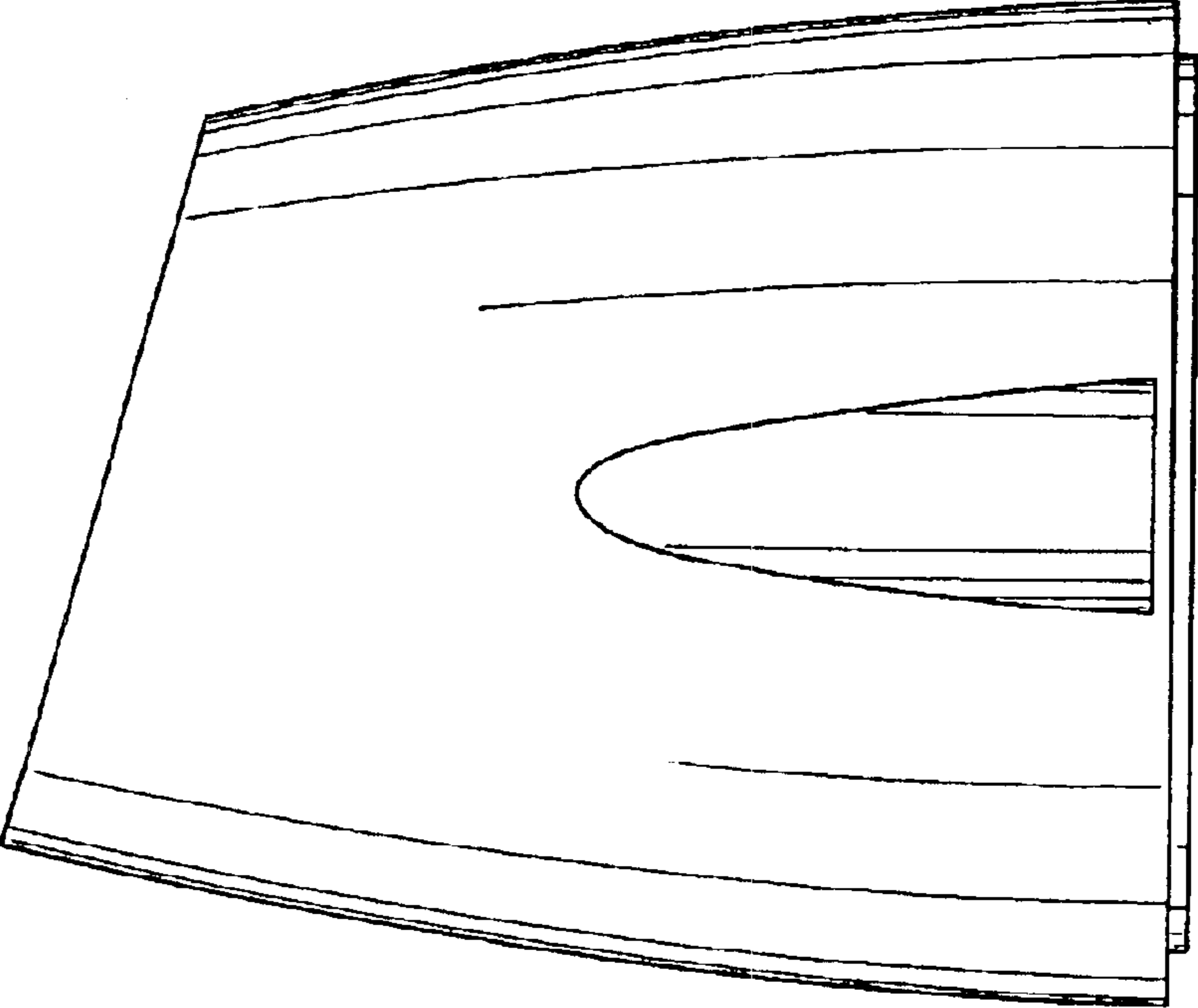


FIG. 3



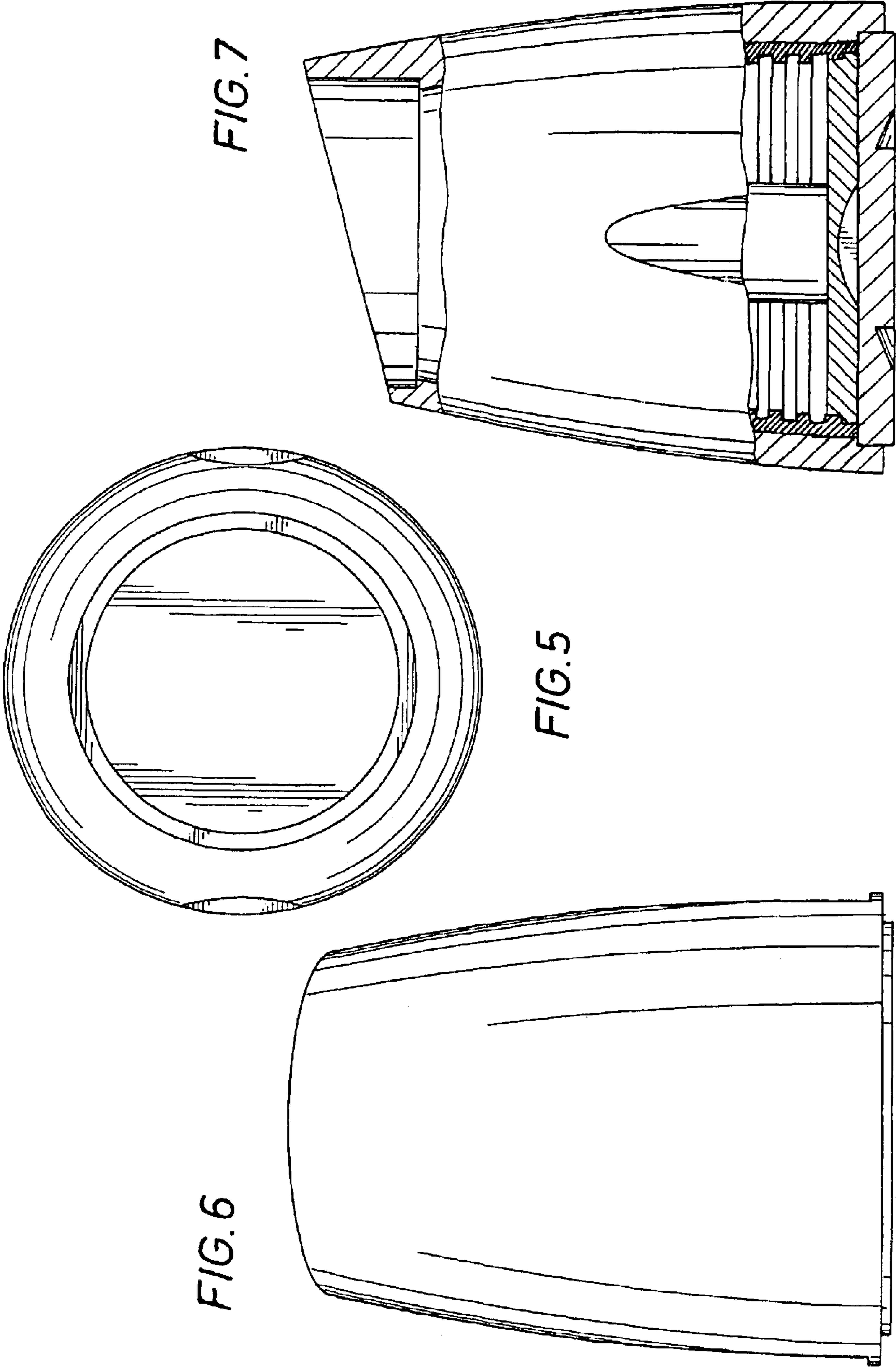


FIG. 8

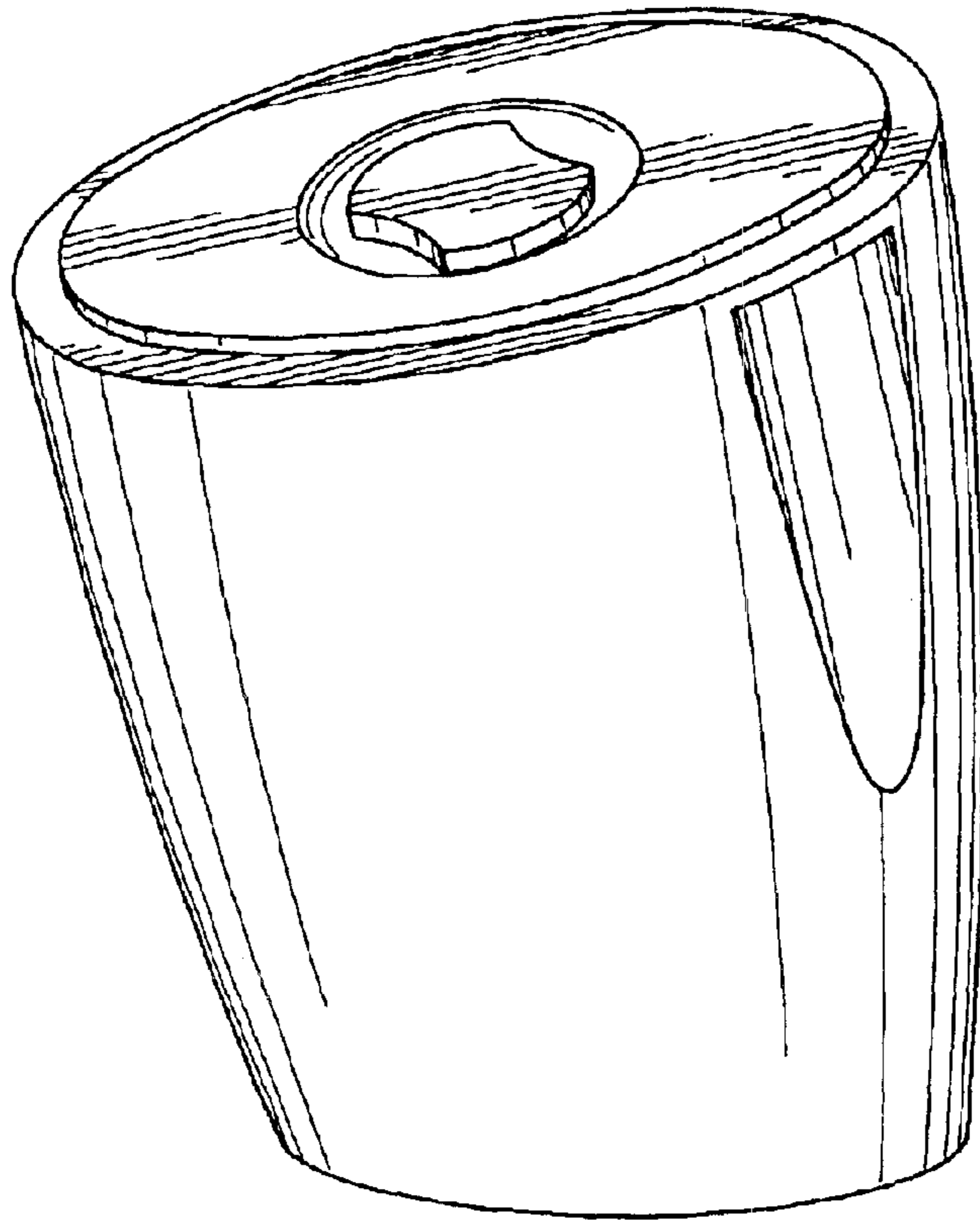
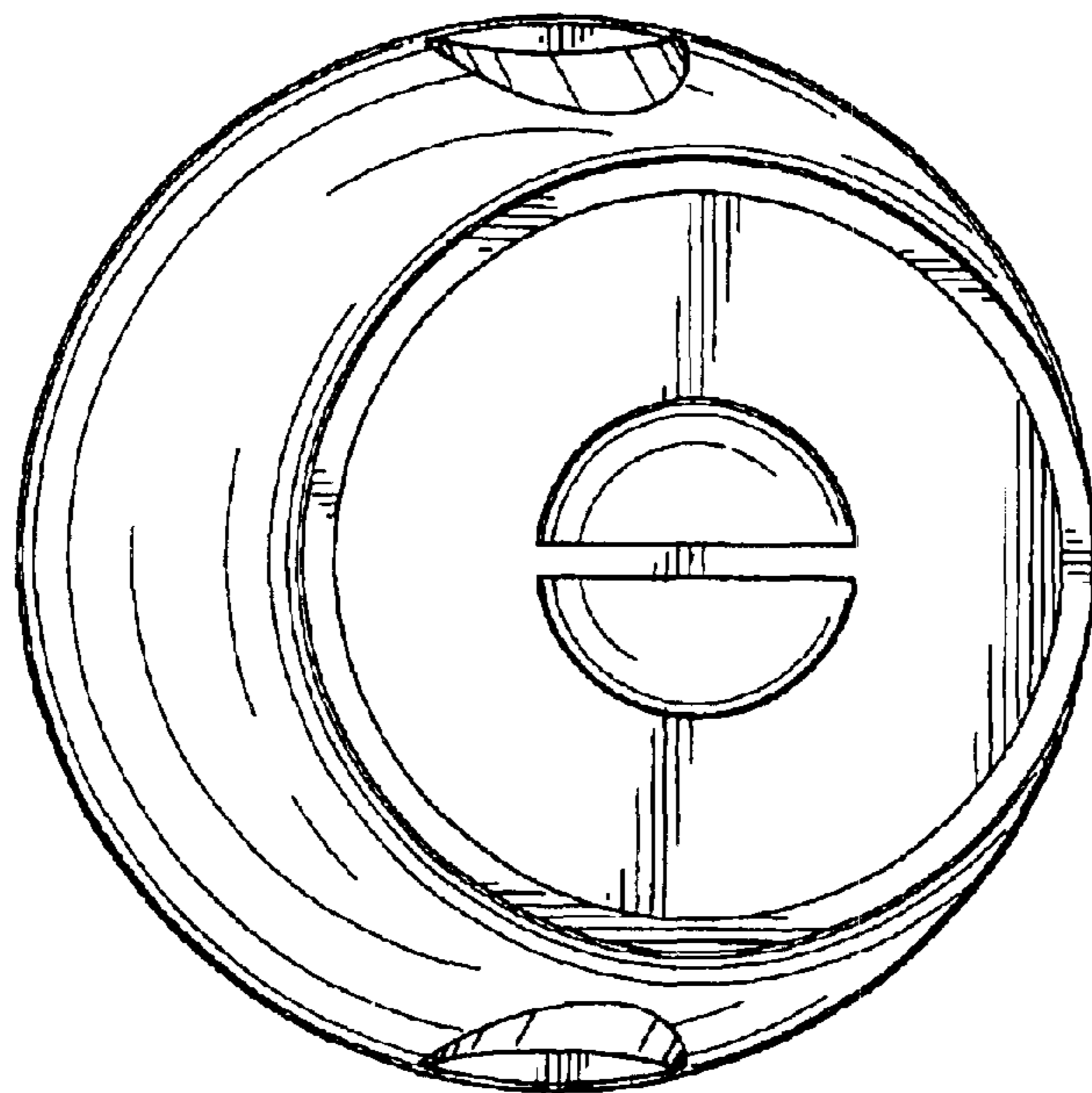


FIG. 9



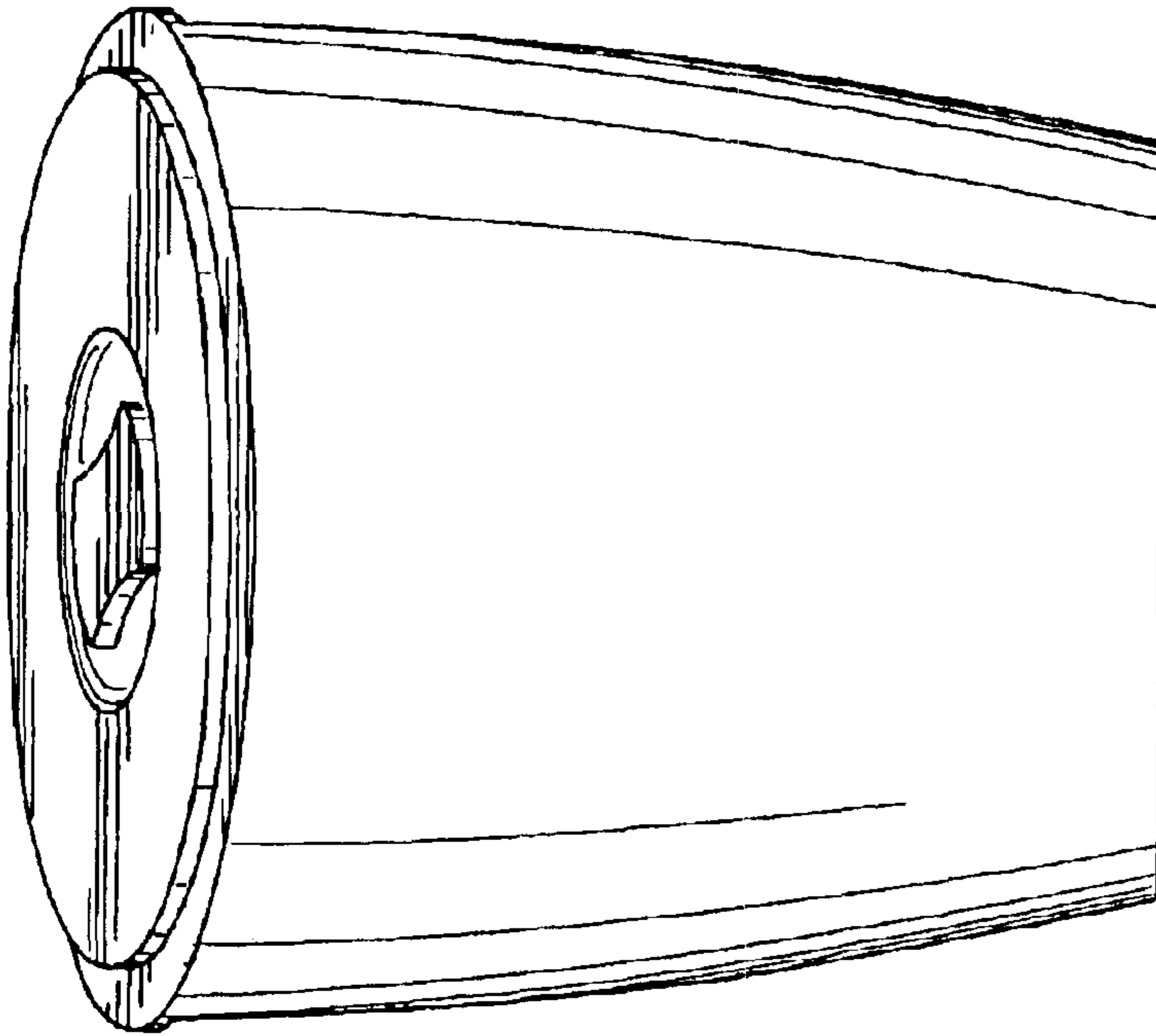


FIG. 11

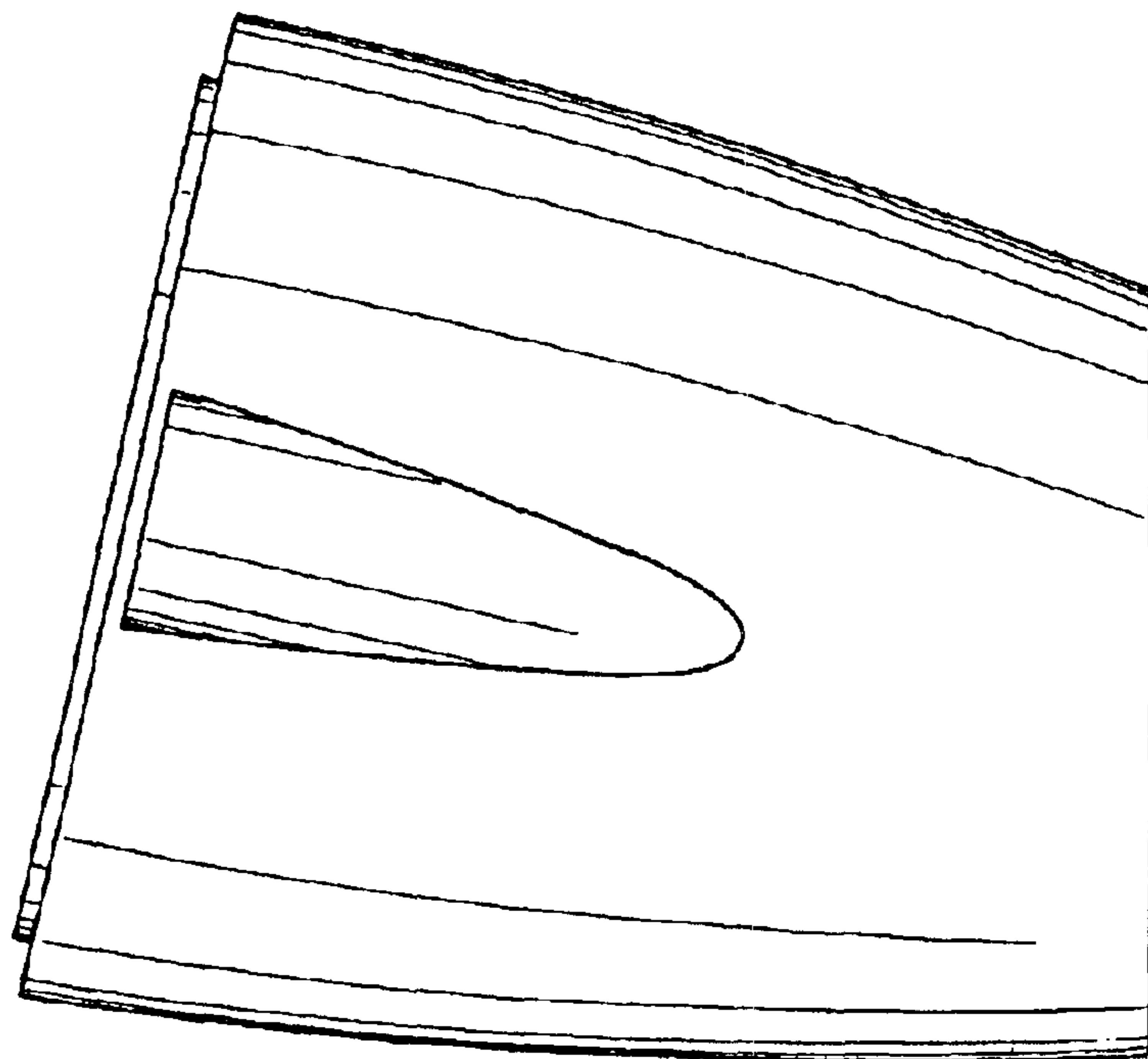


FIG. 10

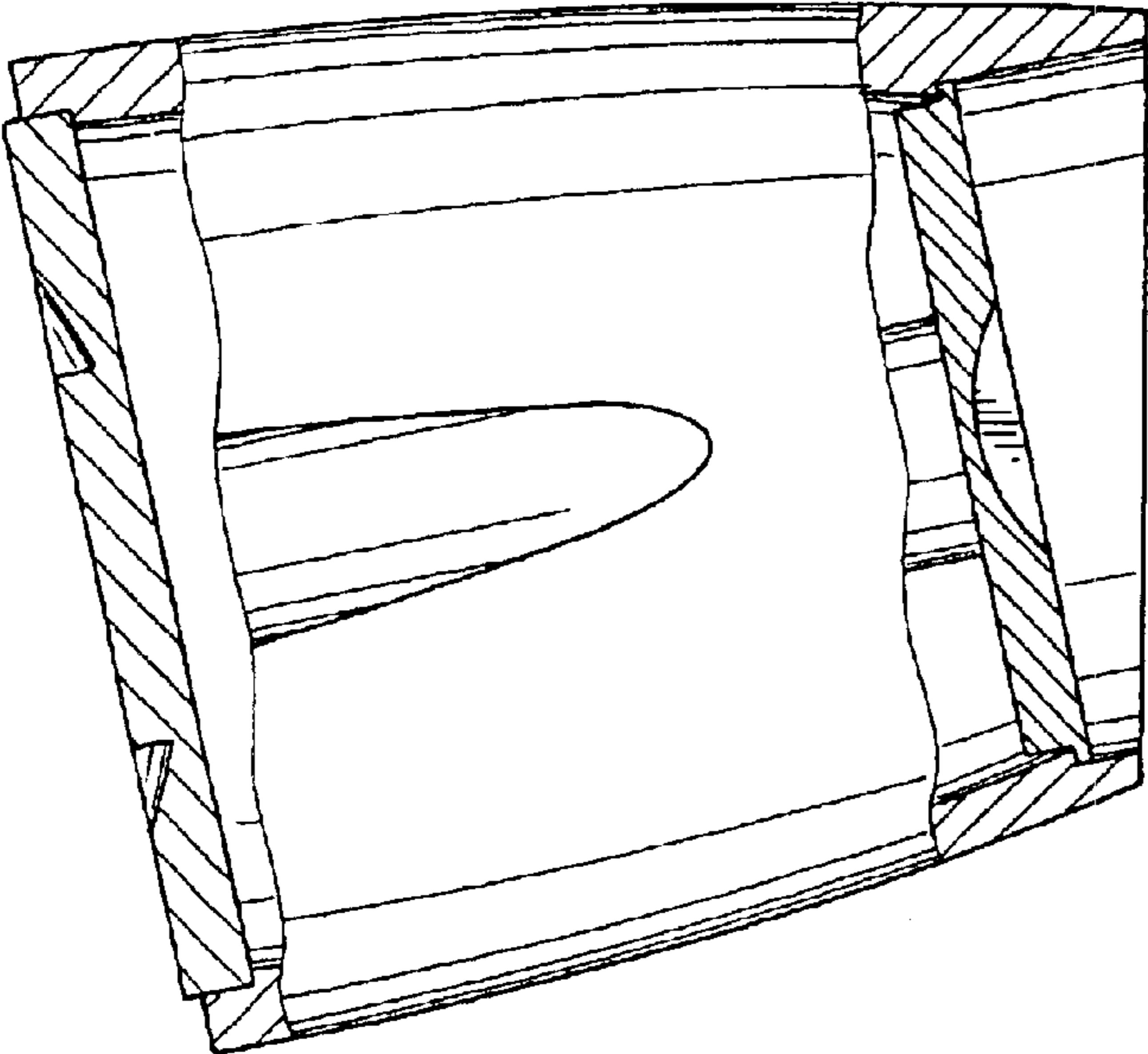


FIG. 12

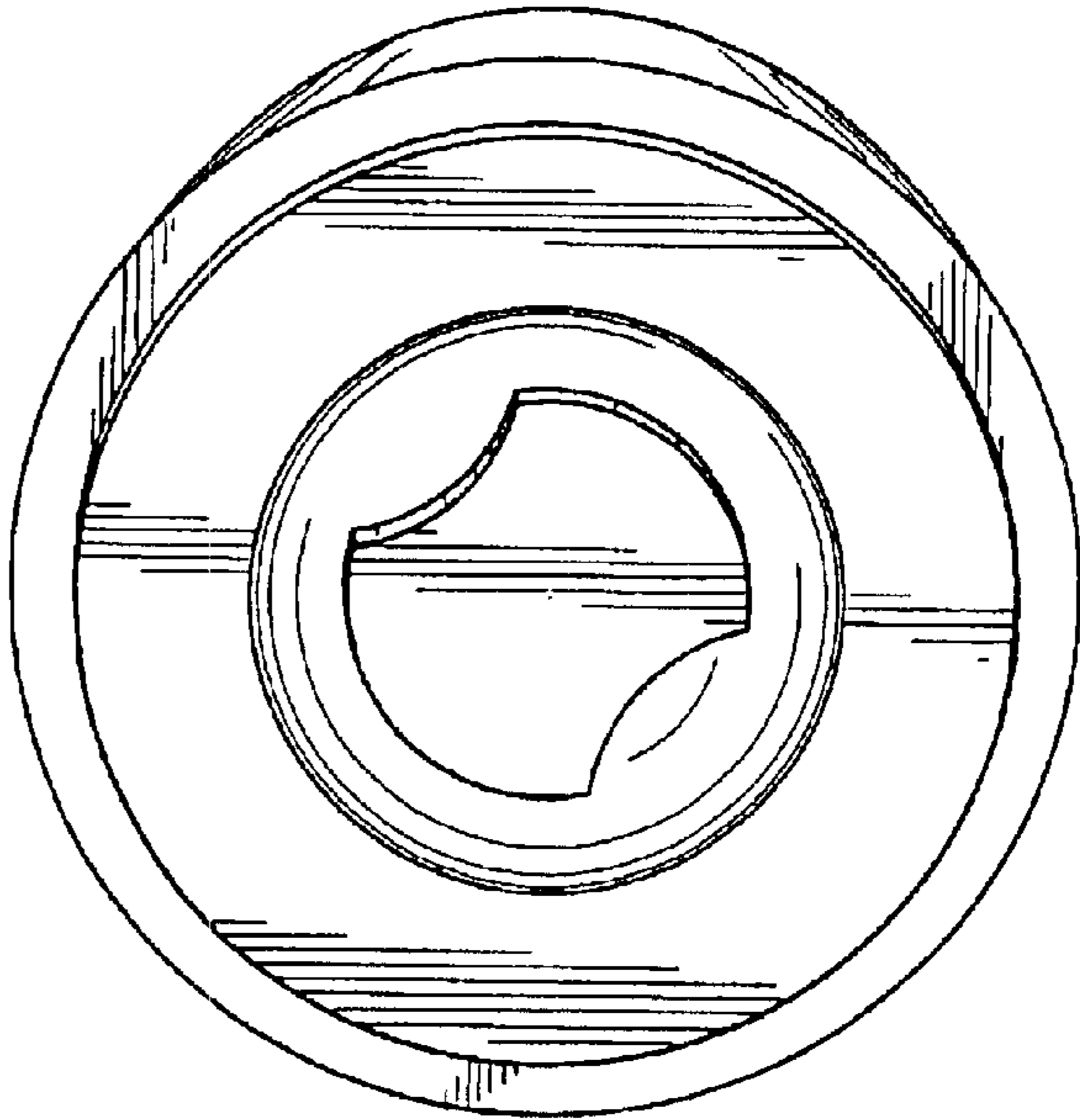


FIG. 13

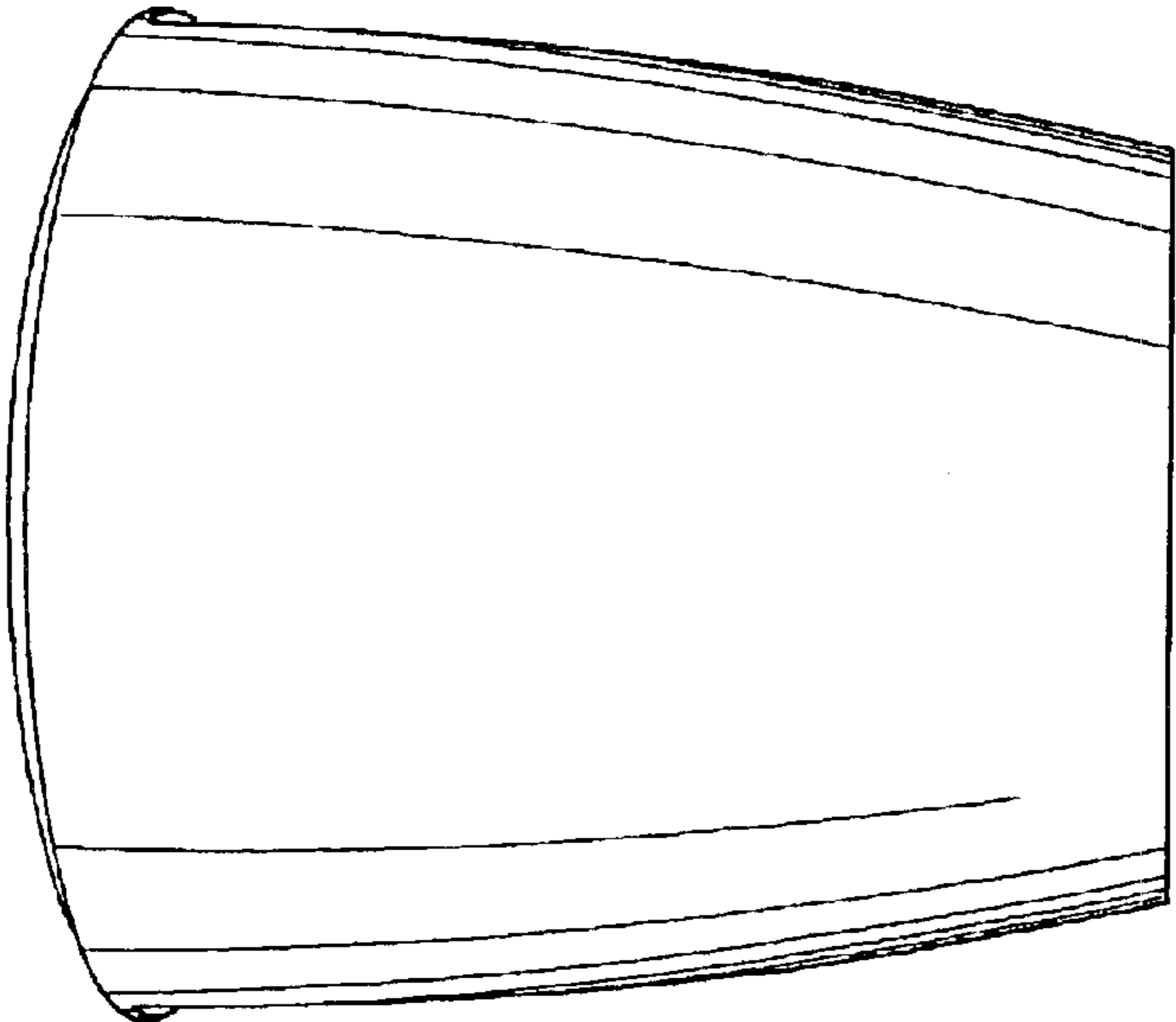


FIG. 14