

US00D497775S1

(12) **United States Design Patent**
Tung

(10) **Patent No.:** **US D497,775 S**

(45) **Date of Patent:** **** Nov. 2, 2004**

(54) **OILCAN**

D458,514 S * 6/2002 Dorion D7/600

(76) **Inventor:** **I-Chen Tung**, 3F, No. 245, Jaoho St.,
Taipei (TW)

* cited by examiner

(**) **Term:** **14 Years**

Primary Examiner—Terry A. Wallace

(74) *Attorney, Agent, or Firm*—Alan D. Kamrath; Nikolai
& Mersereau, P.A.

(21) **Appl. No.:** **29/190,440**

(57) **CLAIM**

(22) **Filed:** **Sep. 22, 2003**

The ornamental design for an oilcan, as shown and
described.

(51) **LOC (7) Cl.** **07-06**

(52) **U.S. Cl.** **D7/598; D7/318**

(58) **Field of Search** D7/590, 598, 600,
D7/312, 316, 317, 321; 222/173, 460, 465.1,
475.1

DESCRIPTION

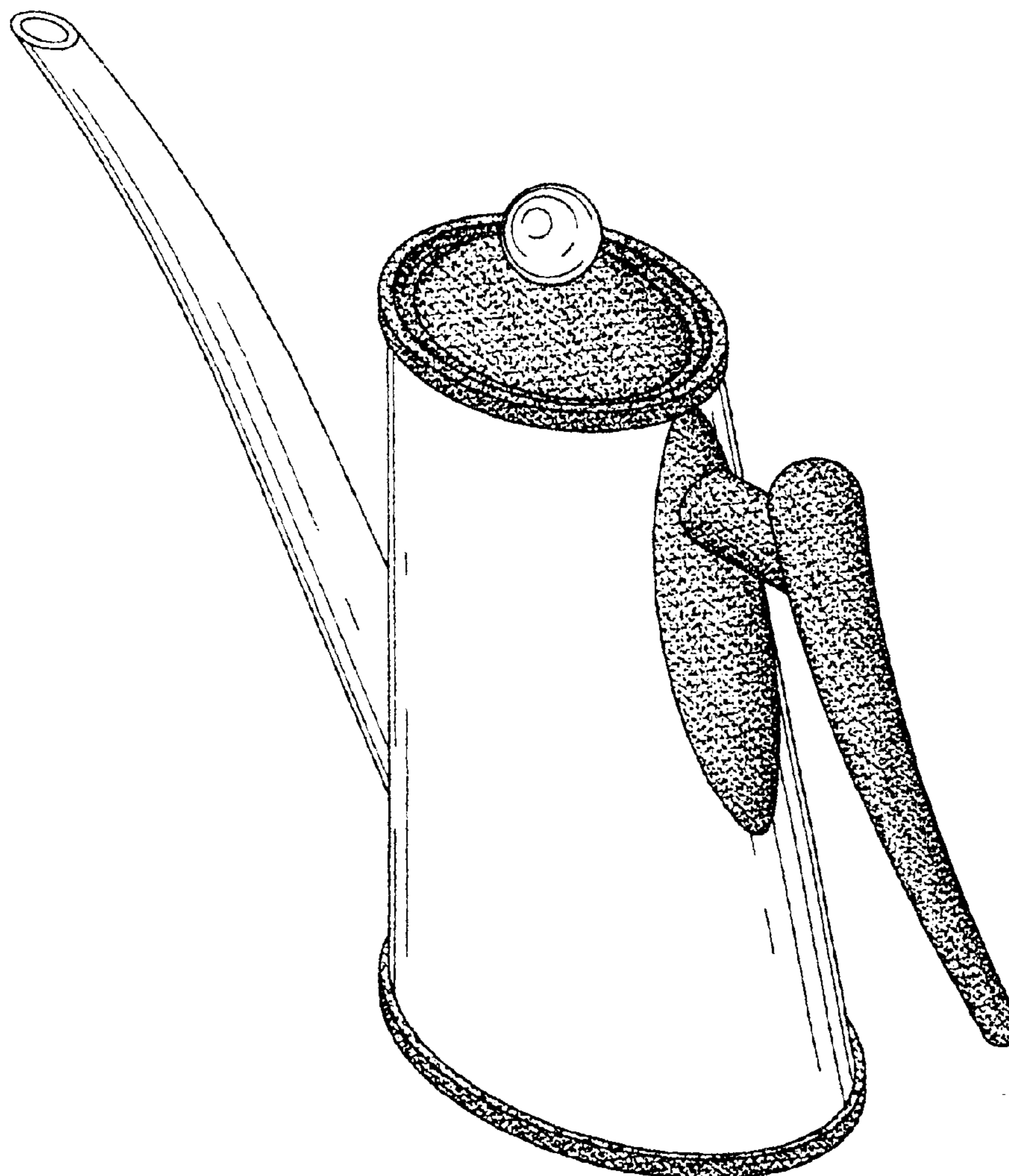
FIG. 1 is a perspective view of an oilcan showing my design;
FIG. 2 is a front elevational view thereof;
FIG. 3 is a rear elevational view thereof;
FIG. 4 is a left side elevational view thereof;
FIG. 5 is a right side elevational view thereof;
FIG. 6 is a top plan view thereof; and,
FIG. 7 is a bottom plan view thereof.

(56) **References Cited**

U.S. PATENT DOCUMENTS

- D291,645 S * 9/1987 Bruno D7/321
- D407,263 S * 3/1999 Cristiani D7/321
- D420,545 S * 2/2000 Huang D7/318

1 Claim, 5 Drawing Sheets



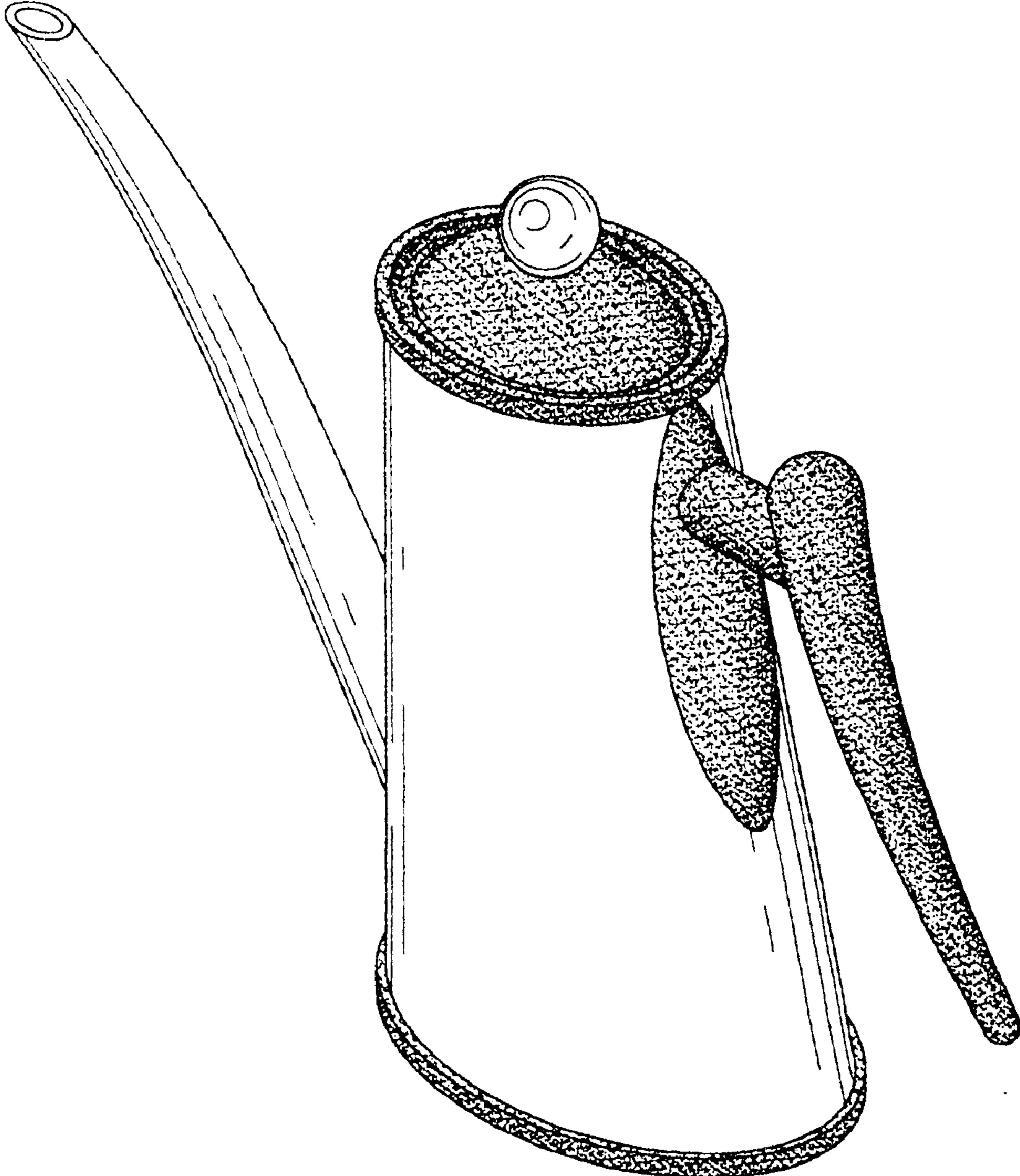


FIG.1

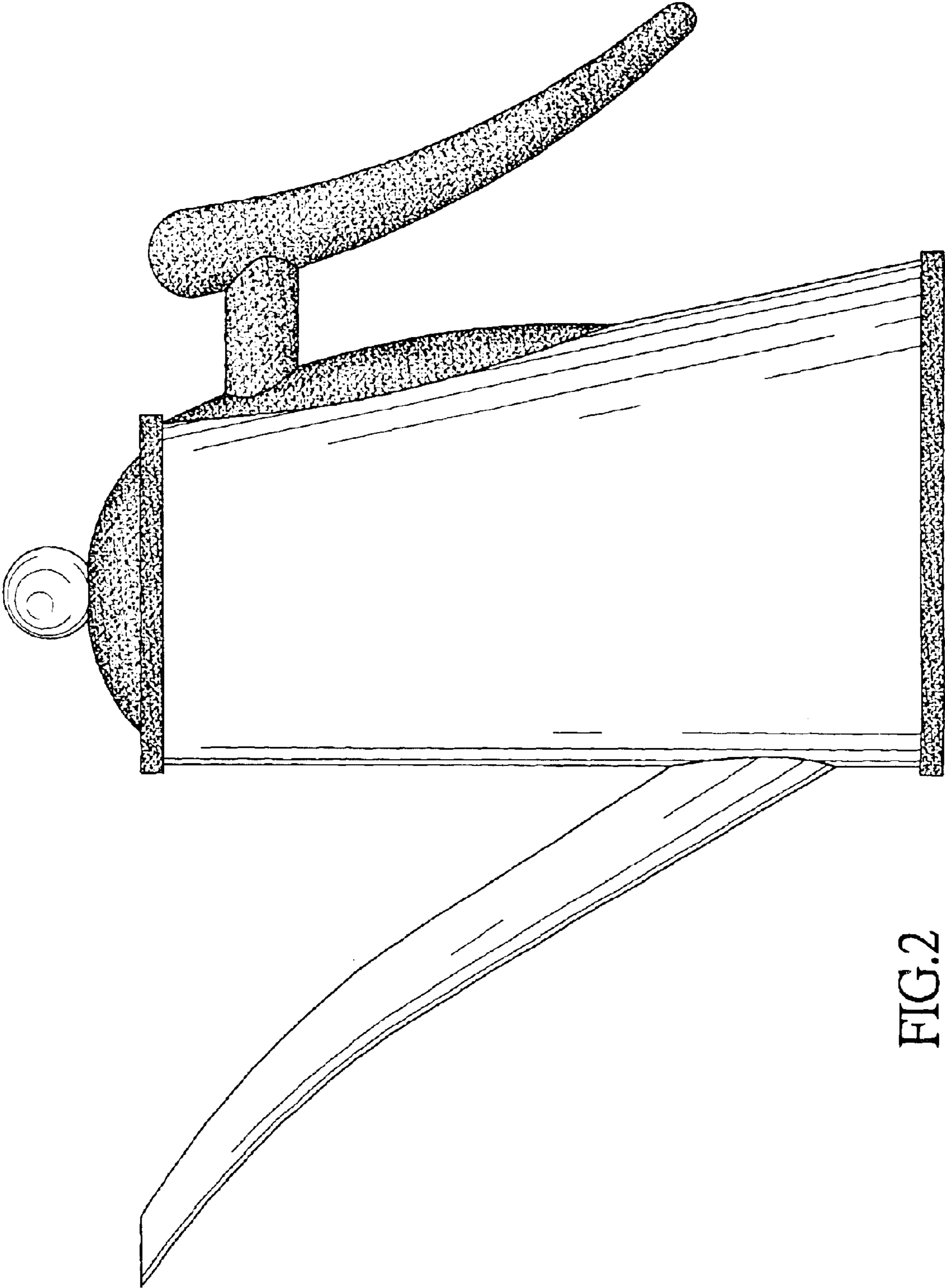


FIG.2

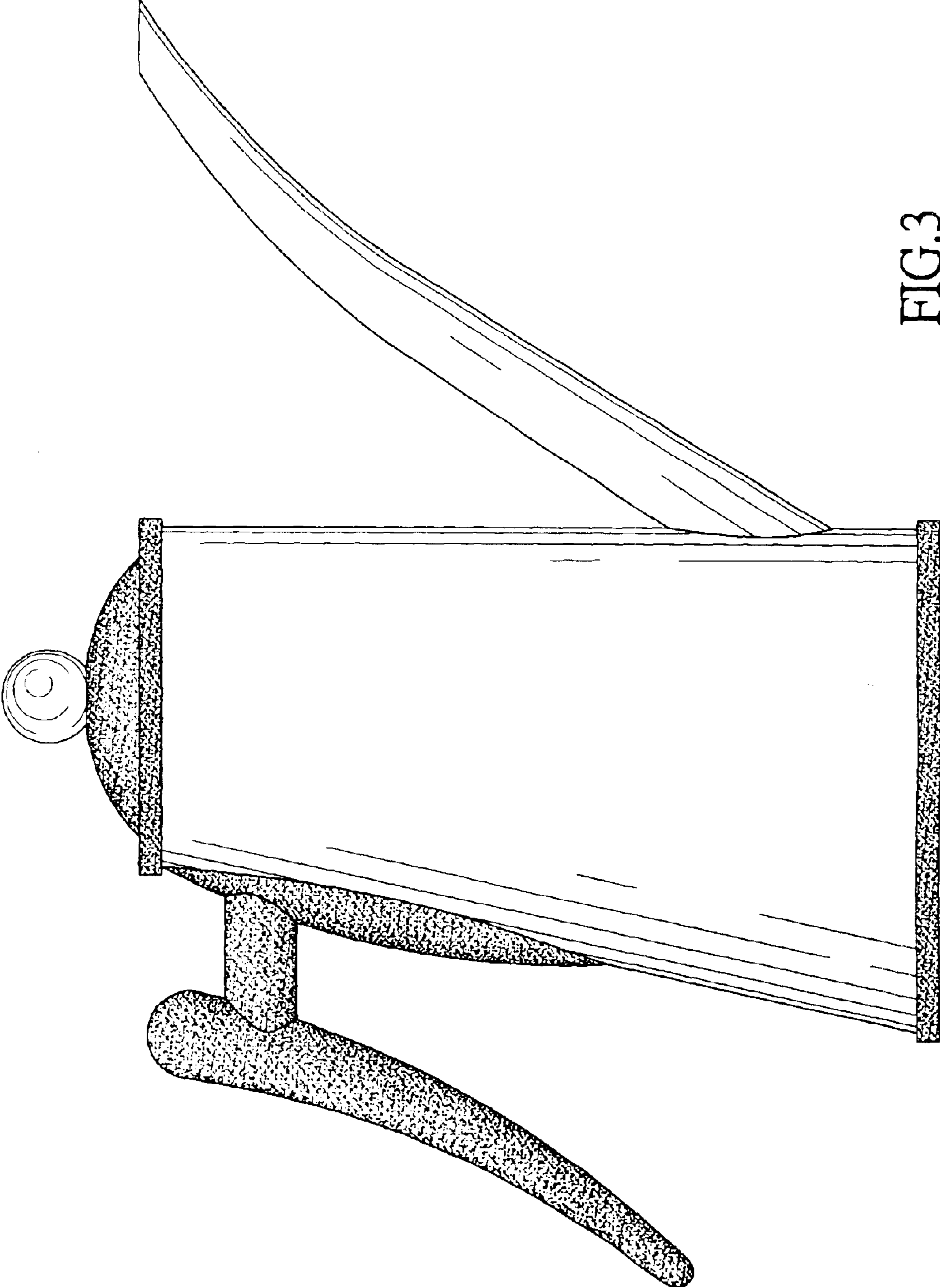


FIG. 3

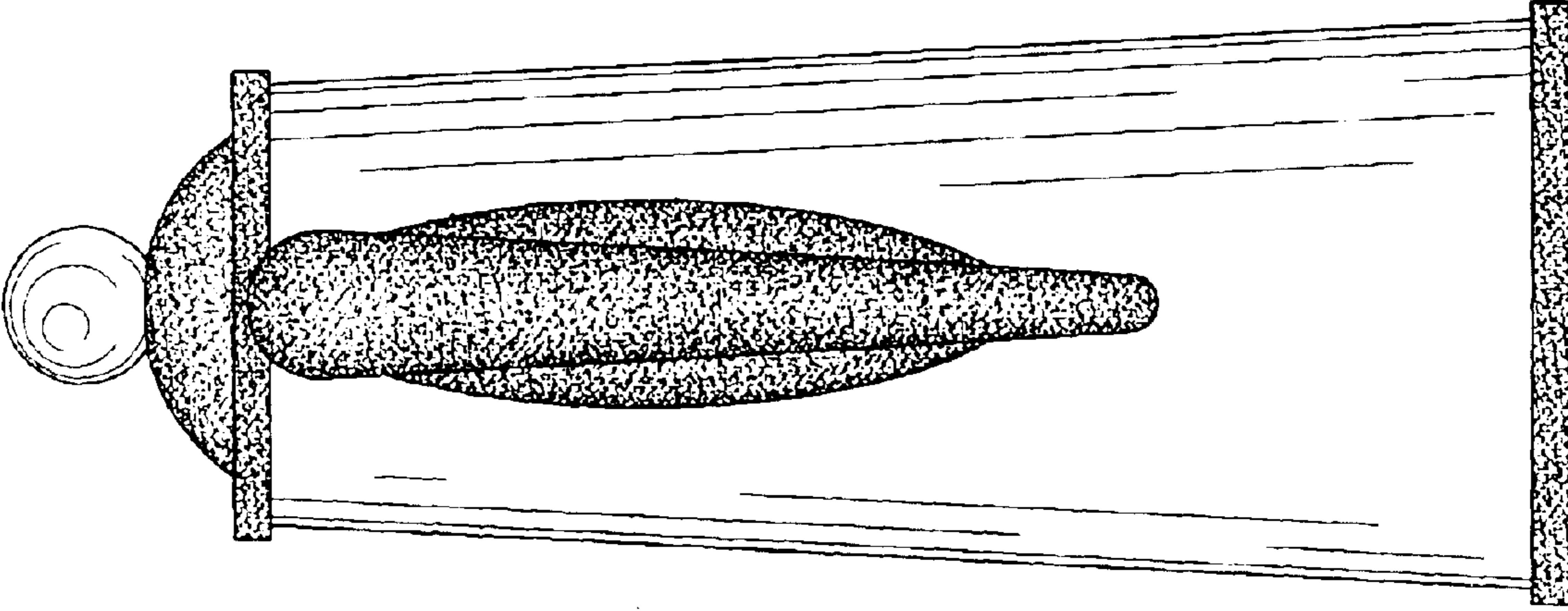


FIG.5

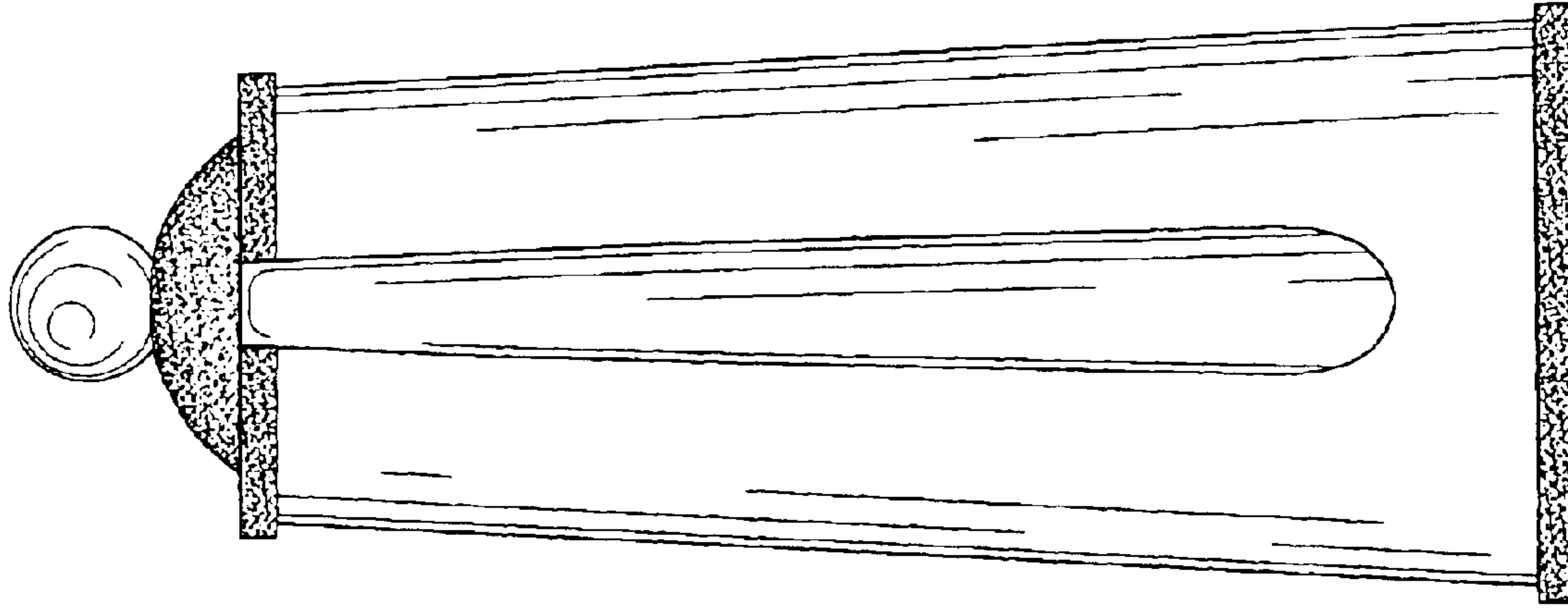


FIG.4

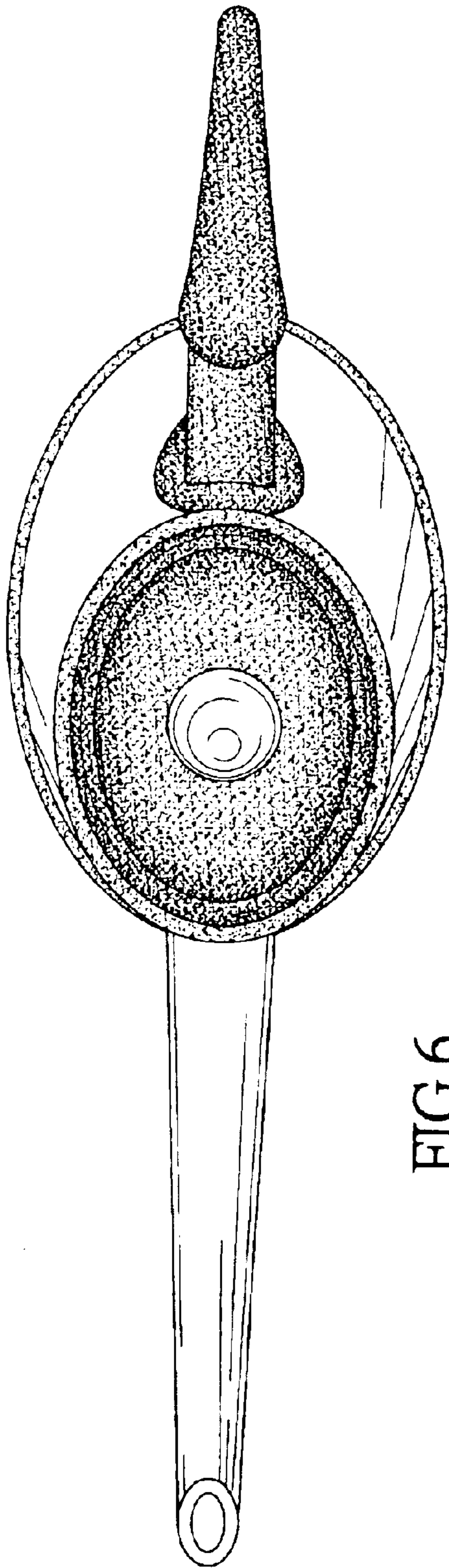


FIG. 6

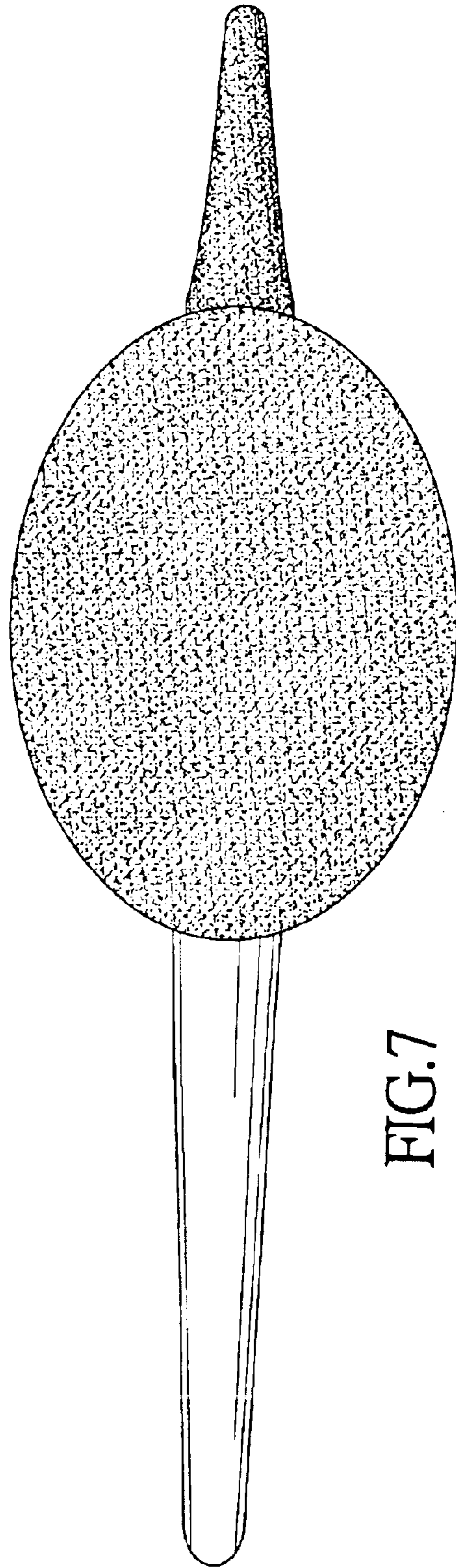


FIG. 7