

US00D497772S1

(12) **United States Design Patent** (10) **Patent No.:** **US D497,772 S**  
**Bodum** (45) **Date of Patent:** **\*\* Nov. 2, 2004**

(54) **CHIMNEY STARTER**  
 (75) Inventor: **Jørgen Bodum**, St. Niklausen (CH)  
 (73) Assignee: **Pi-Design AG**, Triengen (CH)  
 (\*\*) Term: **14 Years**

4,531,507 A \* 7/1985 Gerson ..... 126/25 B  
 4,604,986 A \* 8/1986 Barnes ..... 126/25 B  
 D288,843 S \* 3/1987 Barnes ..... D7/417  
 5,197,455 A \* 3/1993 Tessien ..... 126/25 B  
 5,230,325 A \* 7/1993 Williams ..... 126/25 B  
 D366,392 S \* 1/1996 Stephen et al. .... D7/417  
 D453,372 S \* 2/2002 Pecoskie ..... D23/332  
 D459,945 S \* 7/2002 Bodum ..... D7/417

(21) Appl. No.: **29/182,942**  
 (22) Filed: **Jun. 4, 2003**  
 (30) **Foreign Application Priority Data**  
 Dec. 10, 2002 (DK) ..... DA 2002 00968  
 (51) **LOC (7) Cl.** ..... **07-99**  
 (52) **U.S. Cl.** ..... **D7/417**  
 (58) **Field of Search** ..... D7/416, 417, 213,  
 D7/300; D27/130, 173; D29/125-130; 431/91,  
 345, 254, 153, 255; 126/414, 25 B, 144,  
 401, 229; 417/411

\* cited by examiner

*Primary Examiner*—M. N. Pandozzi  
 (74) *Attorney, Agent, or Firm*—Nath & Associates PLLC;  
 Marvin C. Berkowitz; Jarrod N. Raphael

(57) **CLAIM**

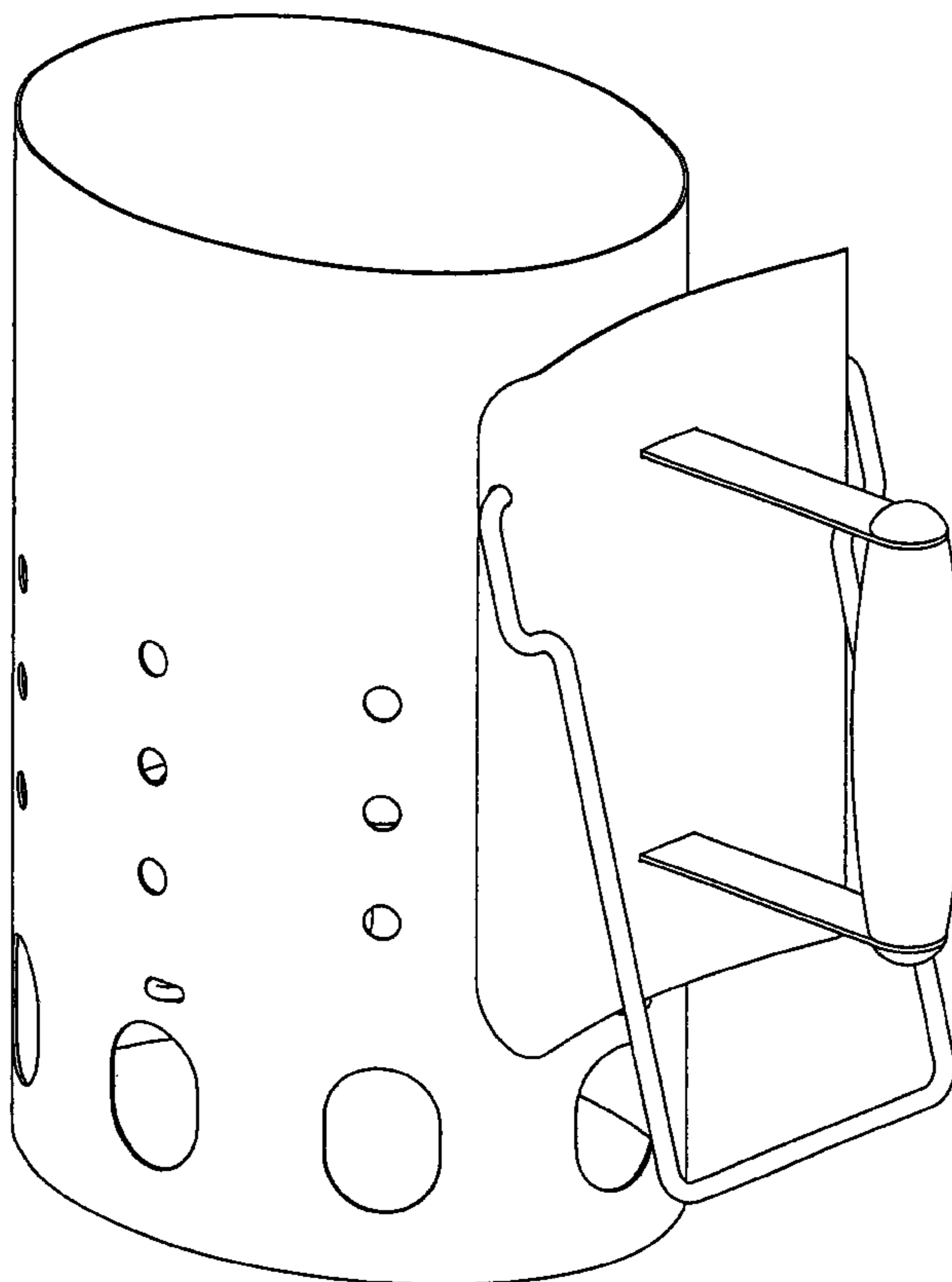
The ornamental design for a chimney starter, as shown and described.

**DESCRIPTION**

FIG. 1 is an oblique perspective view of the chimney starter;  
 FIG. 2 is a front view of the chimney starter, as shown in  
 FIG. 1;  
 FIG. 3 is a right side view of the chimney starter;  
 FIG. 4 is a left side view of the chimney starter;  
 FIG. 5 is a back side view of the chimney starter;  
 FIG. 6 is a top view of the chimney starter;  
 FIG. 7 is a bottom view of the chimney starter; and,  
 FIG. 8 is a sectional view taken along line 8—8 of FIG. 7.

(56) **References Cited**  
**U.S. PATENT DOCUMENTS**  
 D196,827 S \* 11/1963 Jarvis ..... D7/417  
 D237,888 S \* 12/1975 Weidenborner et al. .... D7/417  
 4,282,854 A \* 8/1981 Byars ..... 126/25 B  
 D271,237 S \* 11/1983 Palmer et al. .... D7/417  
 4,461,270 A \* 7/1984 Sutter ..... 126/25 B  
 D277,224 S \* 1/1985 Cole et al. .... D7/417

**1 Claim, 8 Drawing Sheets**



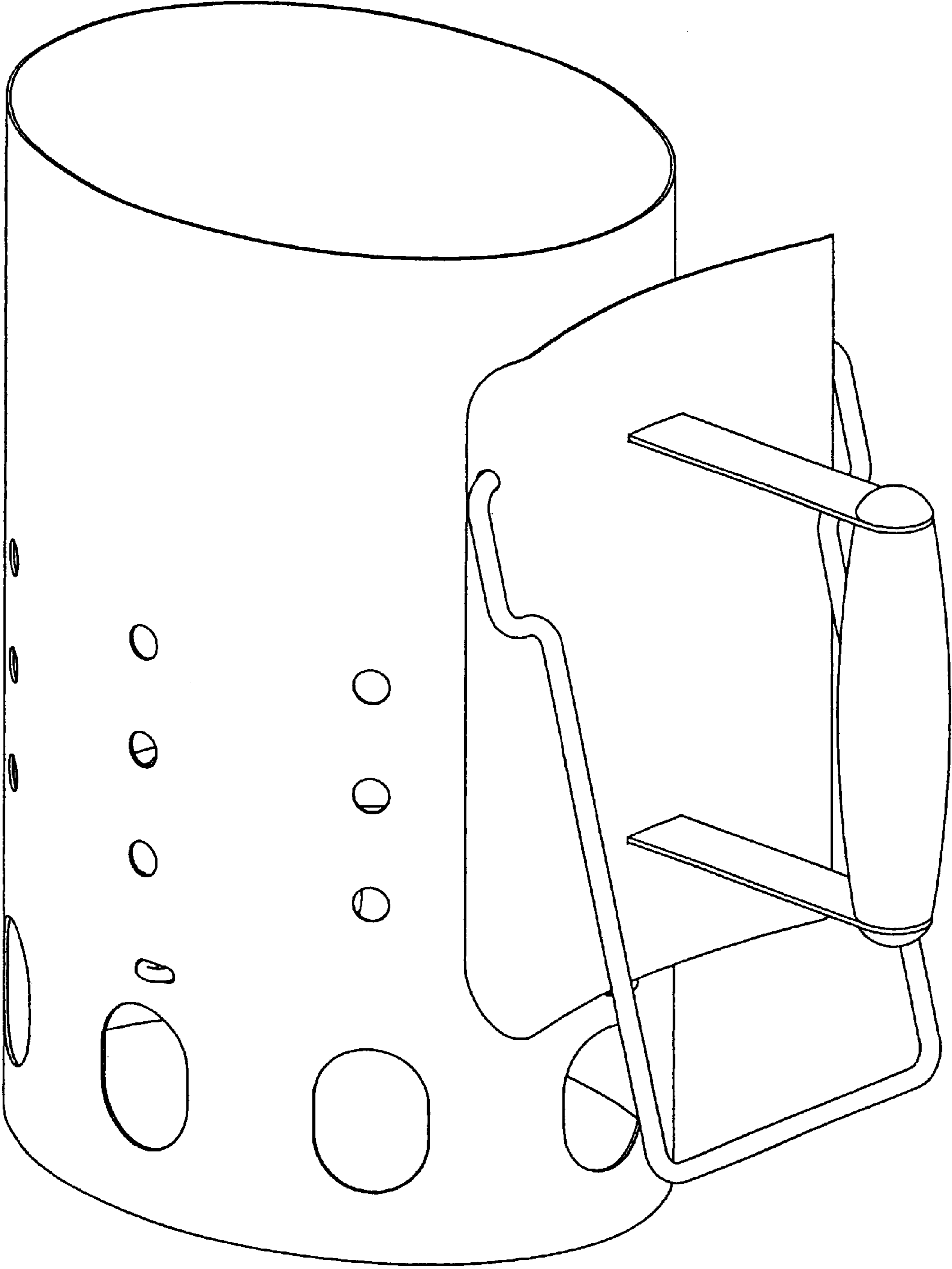


Fig. 1

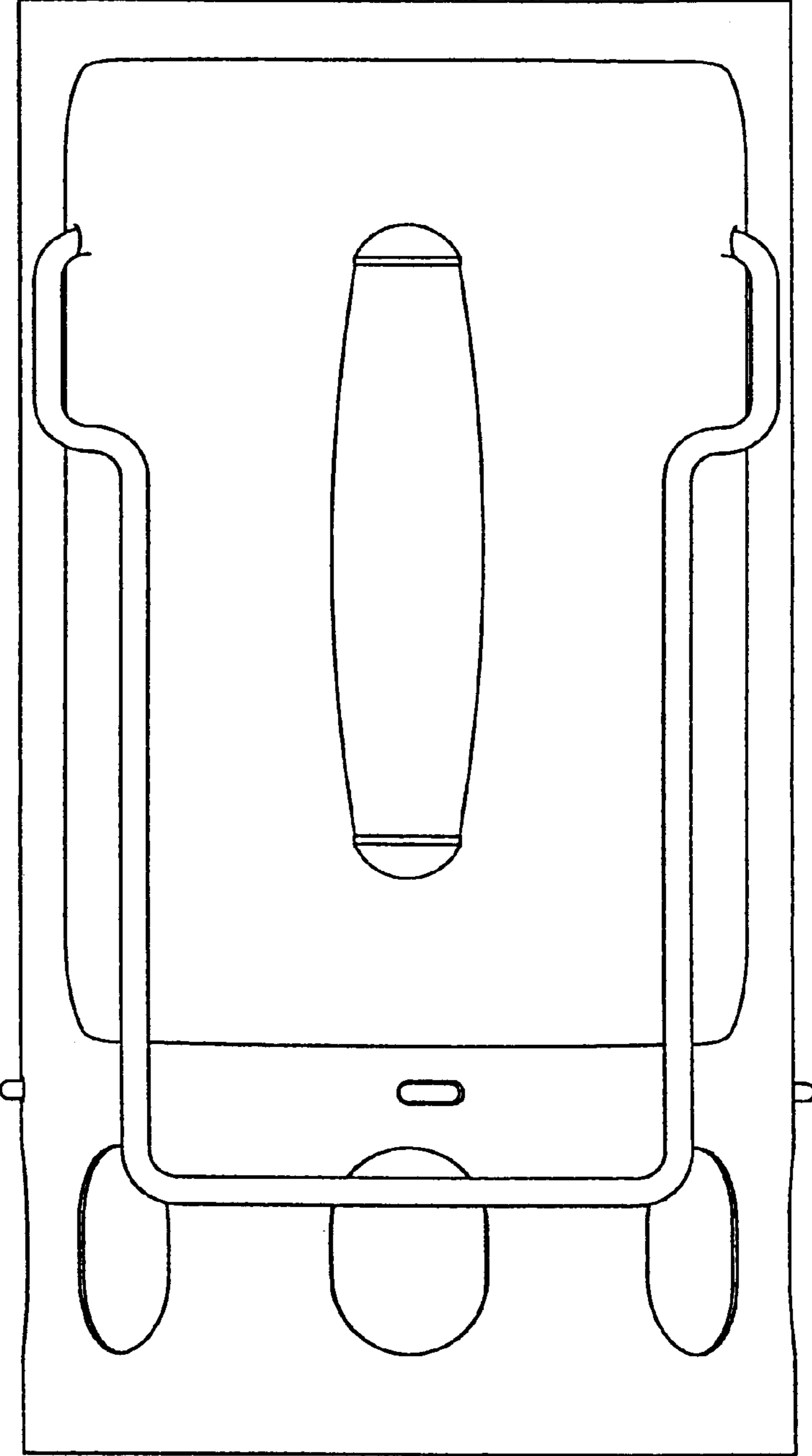


Fig. 2

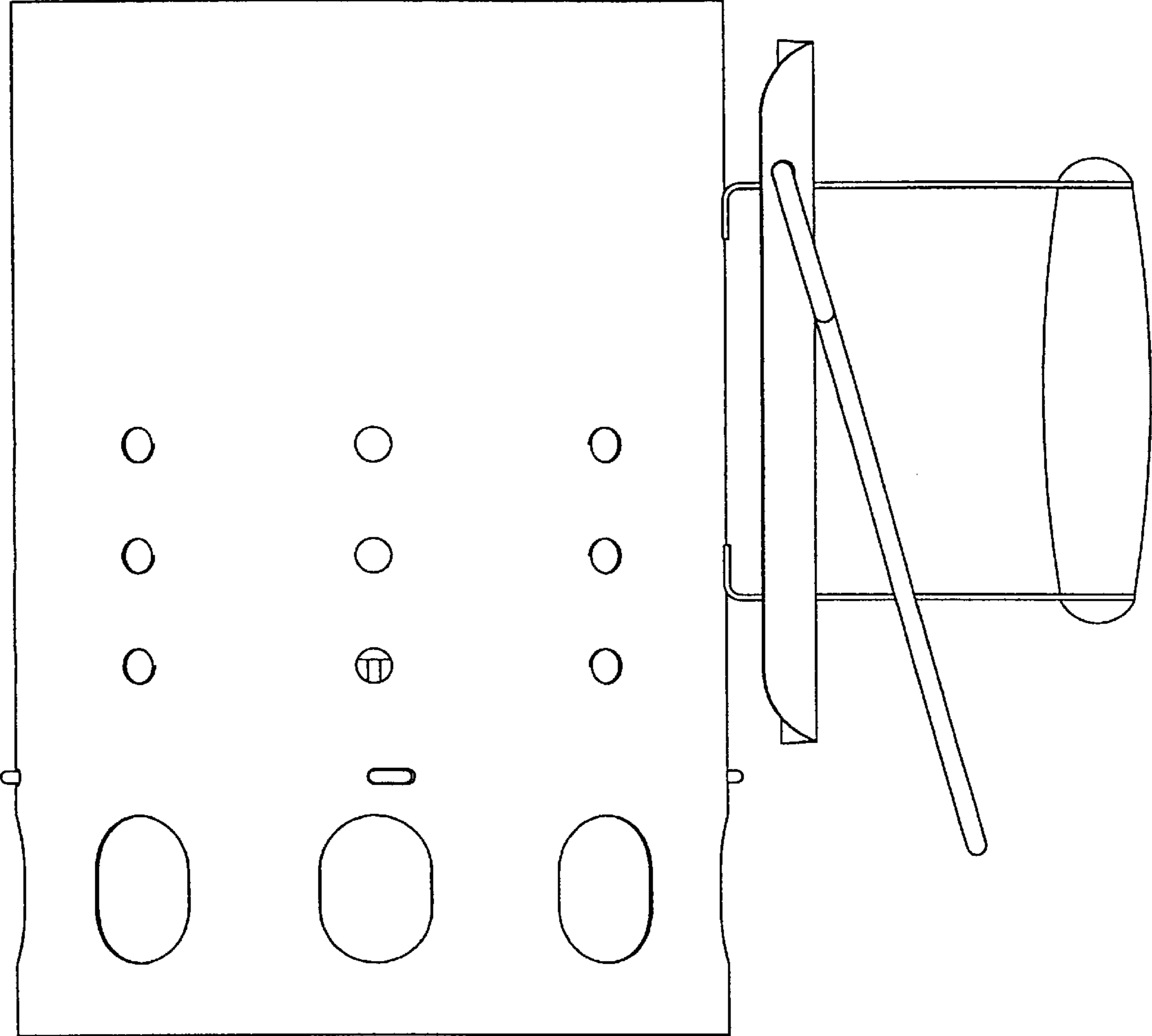


Fig. 3

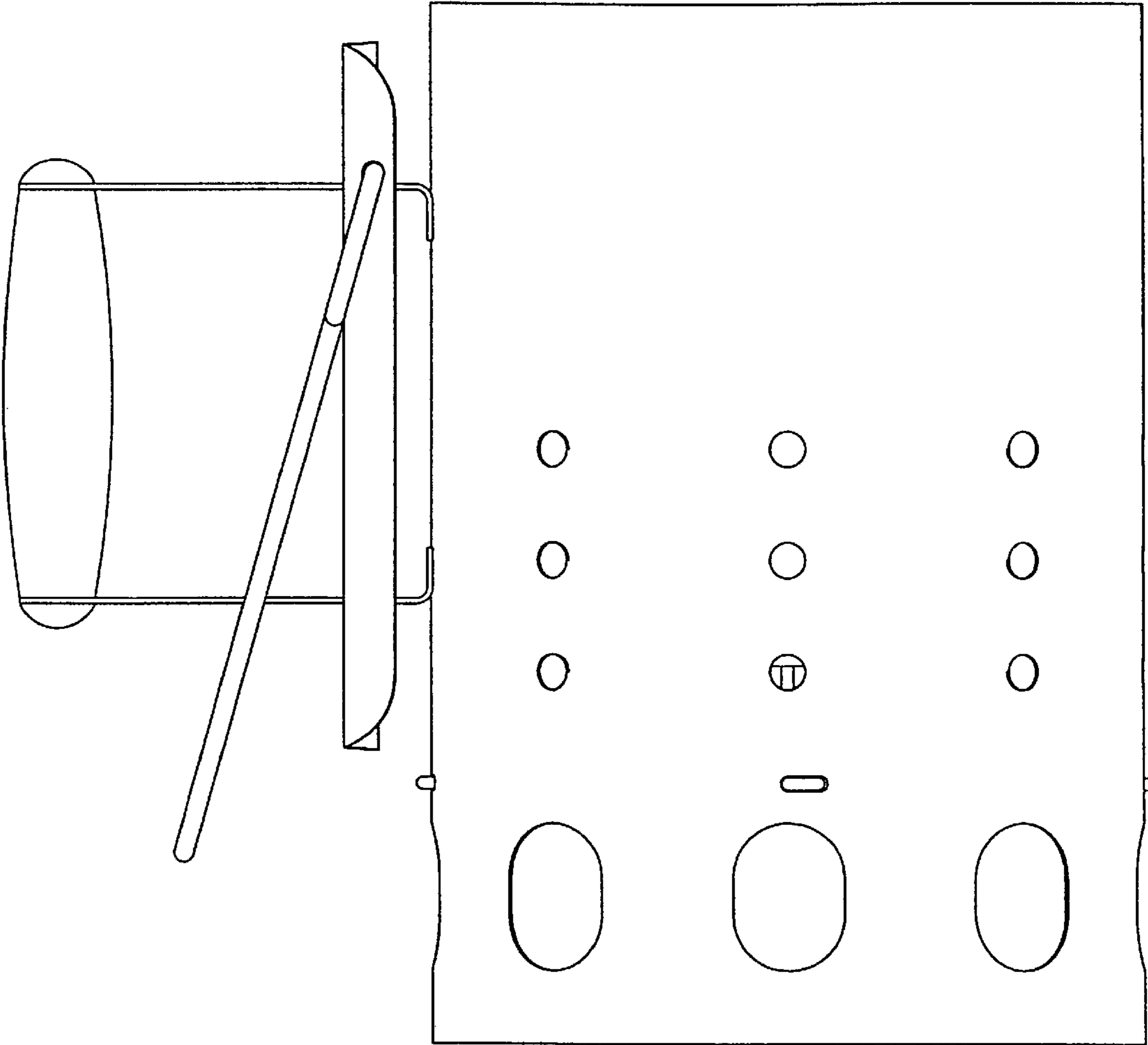


Fig. 4

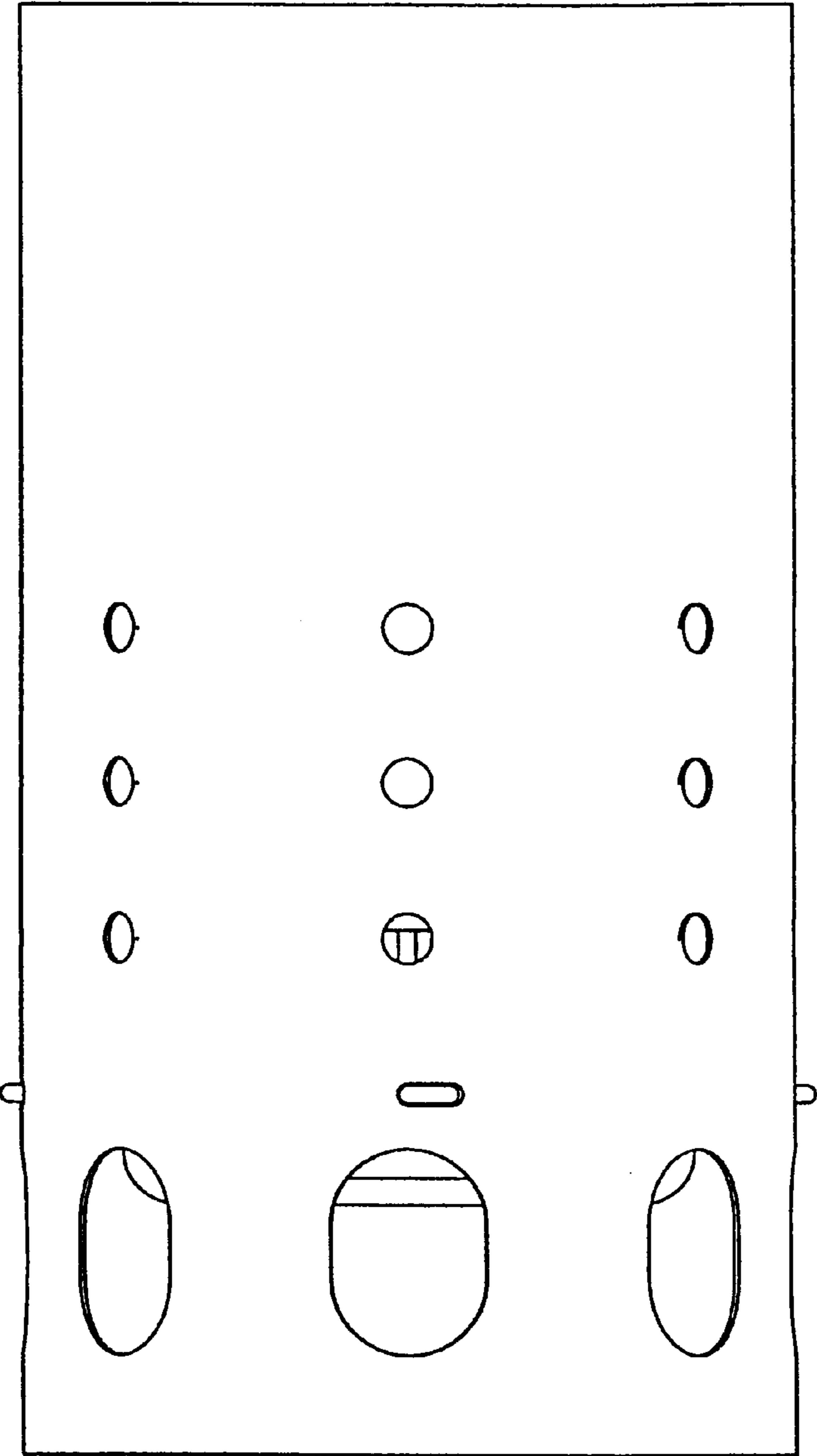


Fig. 5

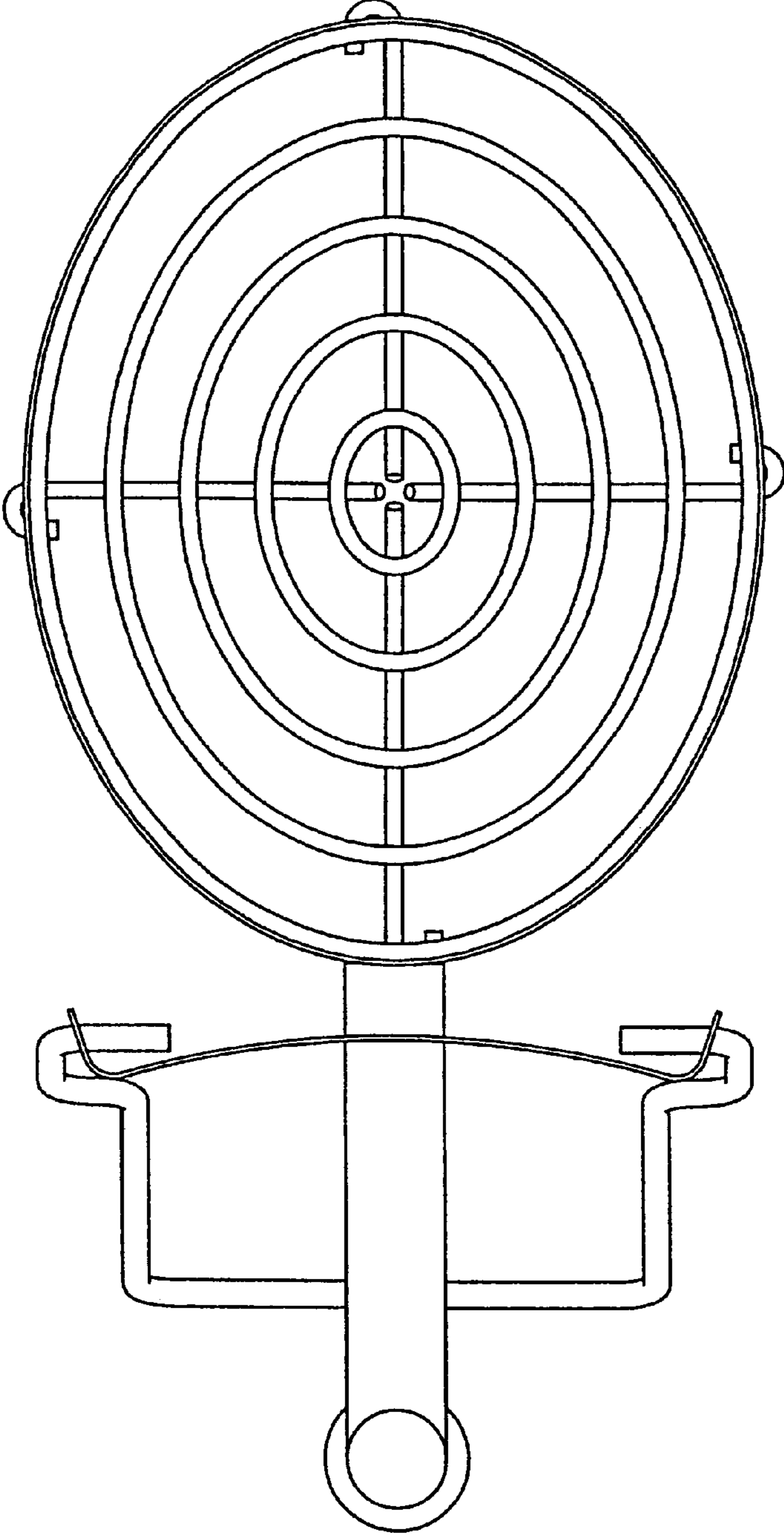


Fig. 6

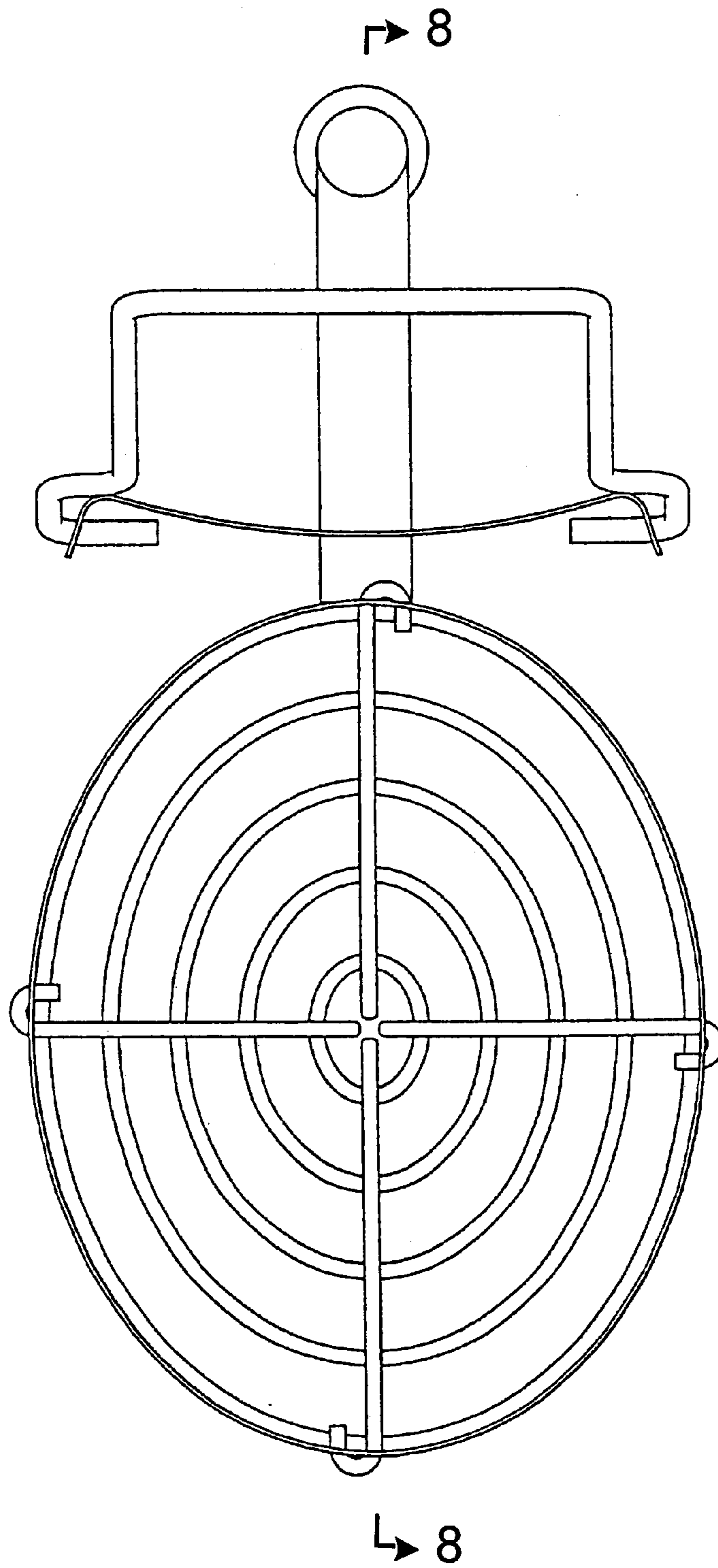


Fig. 7



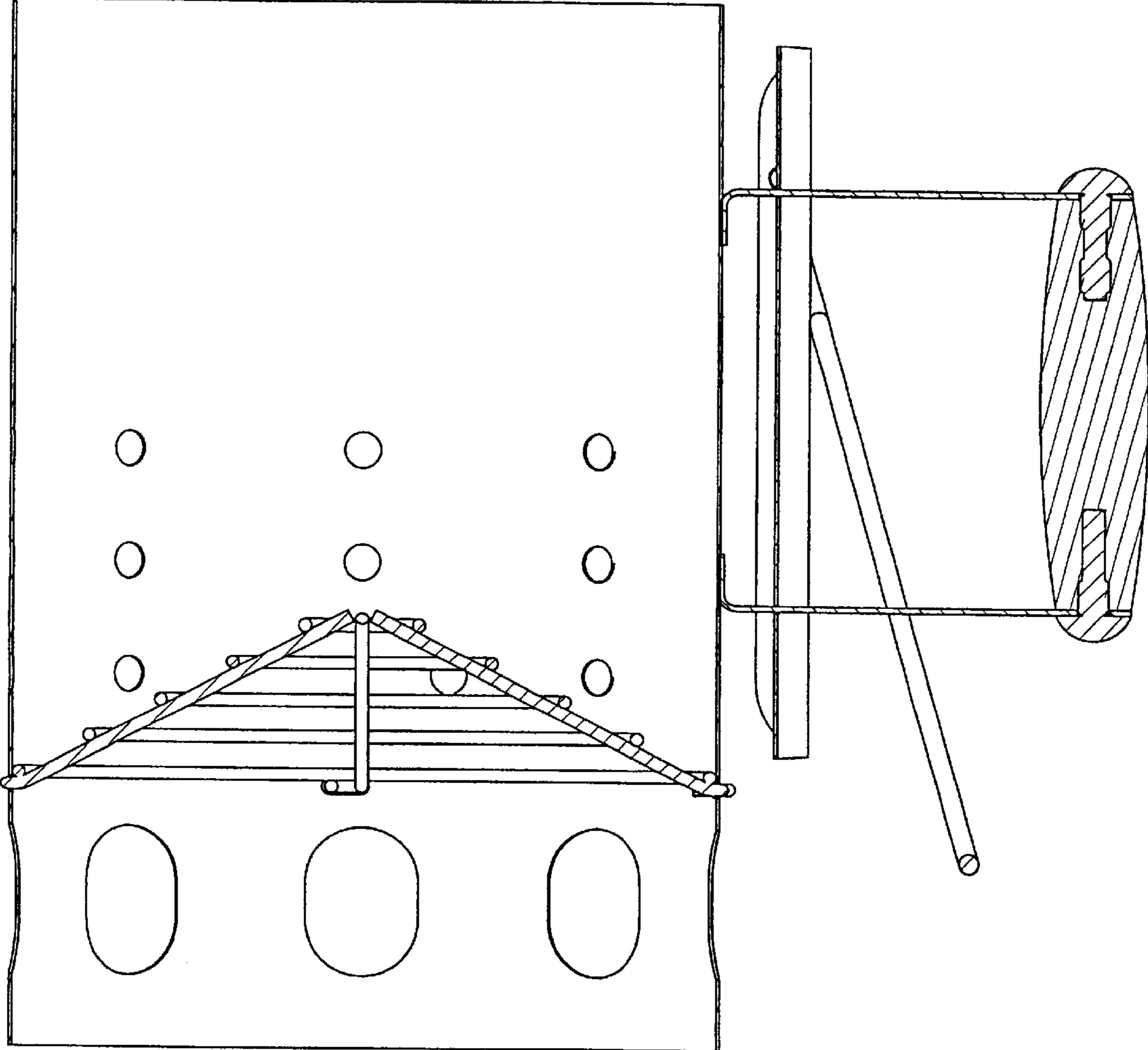


Fig. 8