

US00D497771S1

(12) **United States Design Patent**
Thomkins

(10) **Patent No.:** **US D497,771 S**
(45) **Date of Patent:** **** Nov. 2, 2004**

- (54) **PAN HANDLE**
- (75) **Inventor:** **Nicolas Thomkins, Lucerne (CH)**
- (73) **Assignee:** **All-Clad Switzerland GmbH, Eschlikon (CH)**
- (**) **Term:** **14 Years**
- (21) **Appl. No.:** **29/191,175**
- (22) **Filed:** **Oct. 1, 2003**
- (30) **Foreign Application Priority Data**
Apr. 2, 2003 (CH) 129467
- (51) **LOC (7) Cl.** **07-02**
- (52) **U.S. Cl.** **D7/395**
- (58) **Field of Search** D7/393, 395, 354-361;
16/430, 431, 110.1; 220/573.1-573.5, 752-755,
912

- D433,278 S * 11/2000 LoGiudice D7/395
- D438,055 S * 2/2001 Munari D7/395
- D439,108 S * 3/2001 LoGiudice D7/395
- D447,383 S * 9/2001 Rae D7/395

* cited by examiner

Primary Examiner—Terry A. Wallace
(74) *Attorney, Agent, or Firm*—Fross Zelnick Lehrman & Zissu, P.C.; David I. Greenbaum, Esq.

(57) **CLAIM**

The ornamental design for a pan handle, as shown and described.

DESCRIPTION

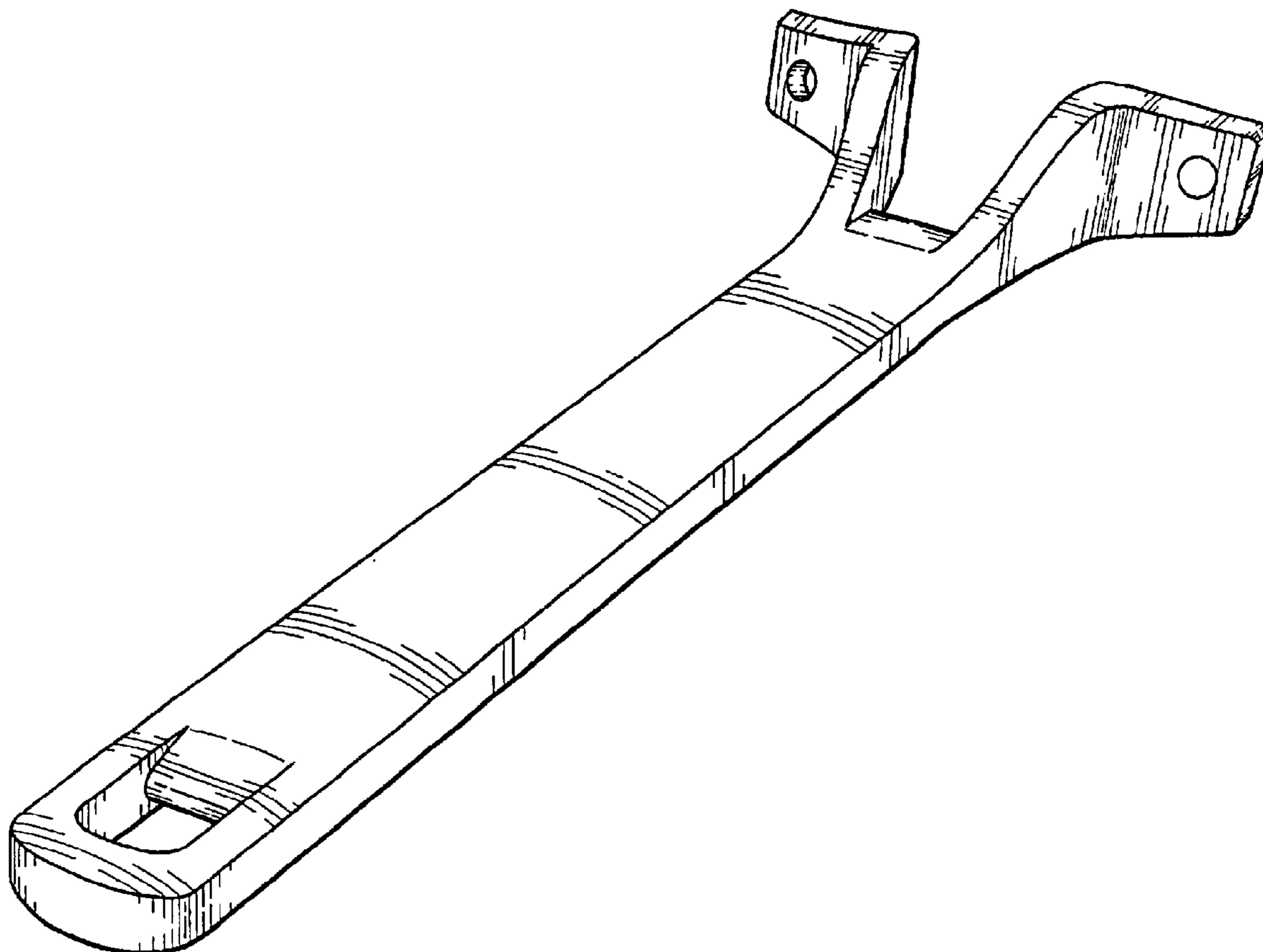
FIG. 1 is a perspective view of a pan handle;
FIG. 2 is a top view of the pan handle shown in FIG. 1;
FIG. 3 is a bottom view of the pan handle shown in FIG. 1;
FIG. 4 is a side view of the pan handle shown in FIG. 1, the other side view being a mirror image thereof;
FIG. 5 is a rear view of the pan handle shown in FIG. 1; and,
FIG. 6 is a front view of the pan handle shown in FIG. 1.

(56) **References Cited**

U.S. PATENT DOCUMENTS

- 4,413,767 A * 11/1983 Hellinger 16/DIG. 42

1 Claim, 4 Drawing Sheets



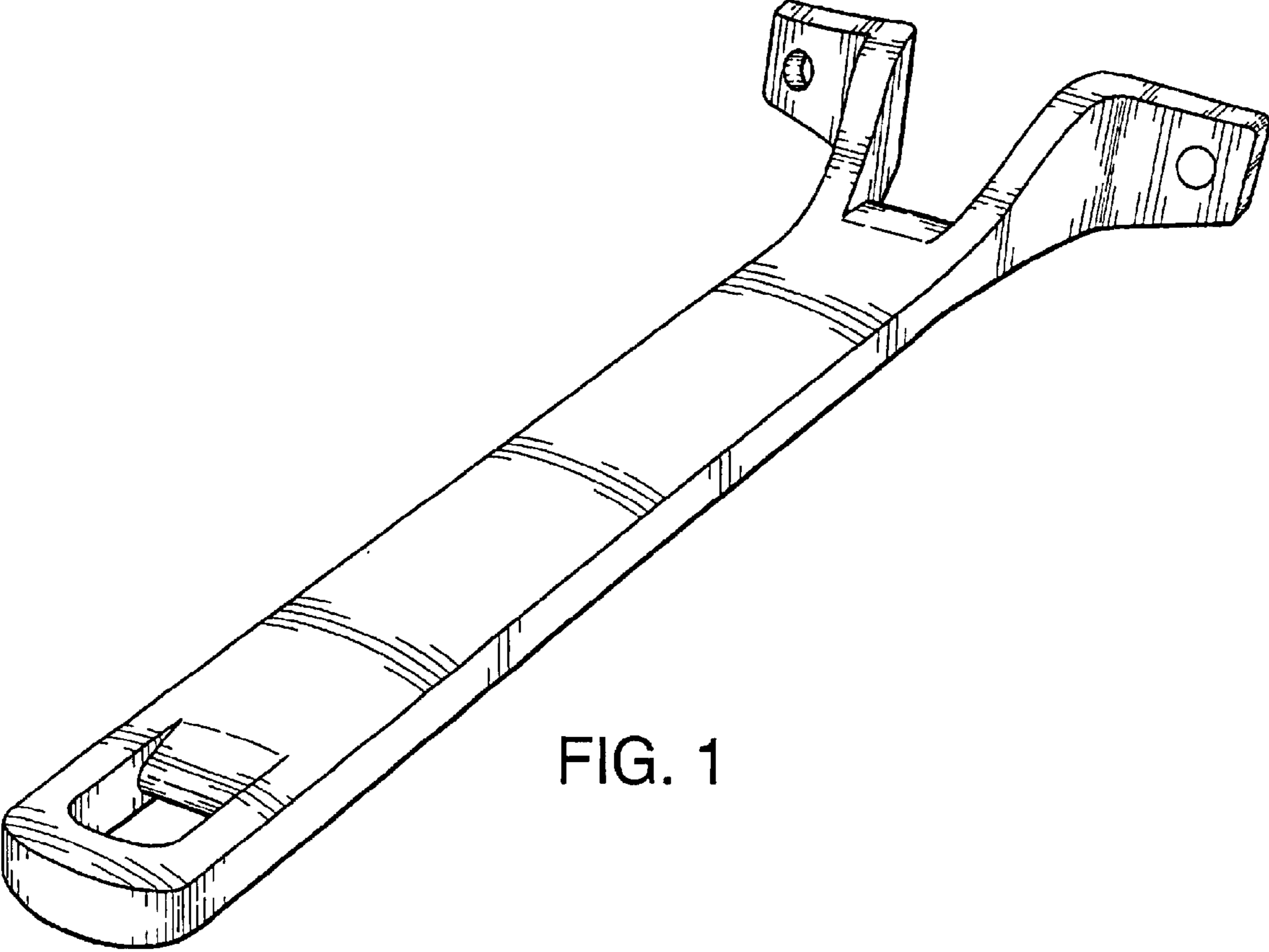


FIG. 1

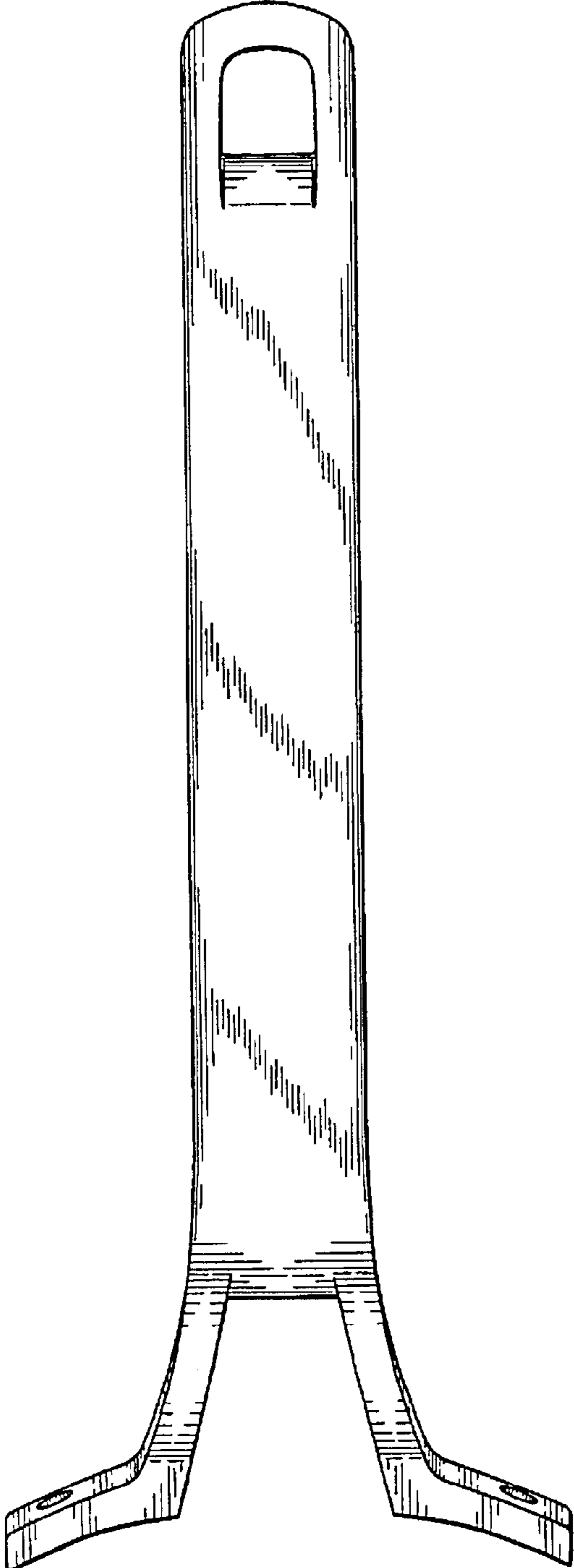


FIG. 2

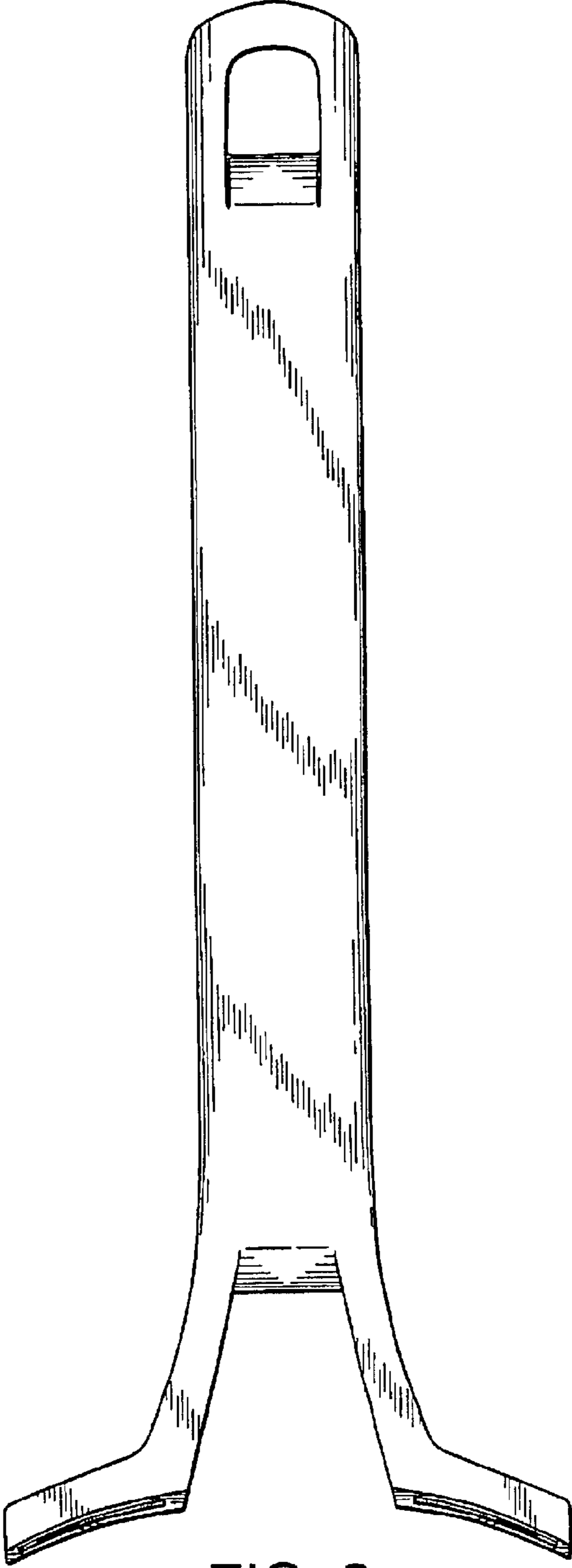


FIG. 3

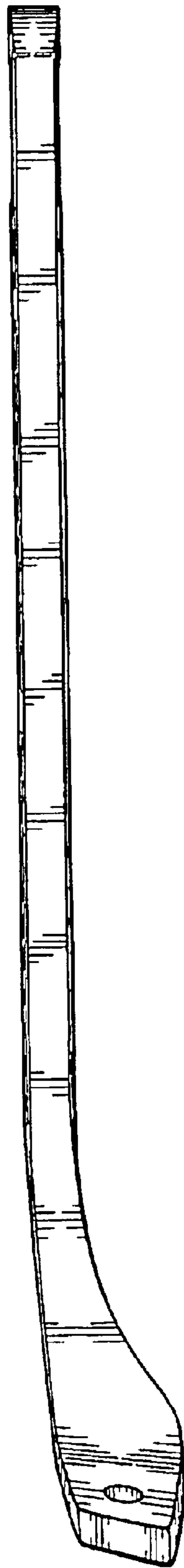


FIG. 4

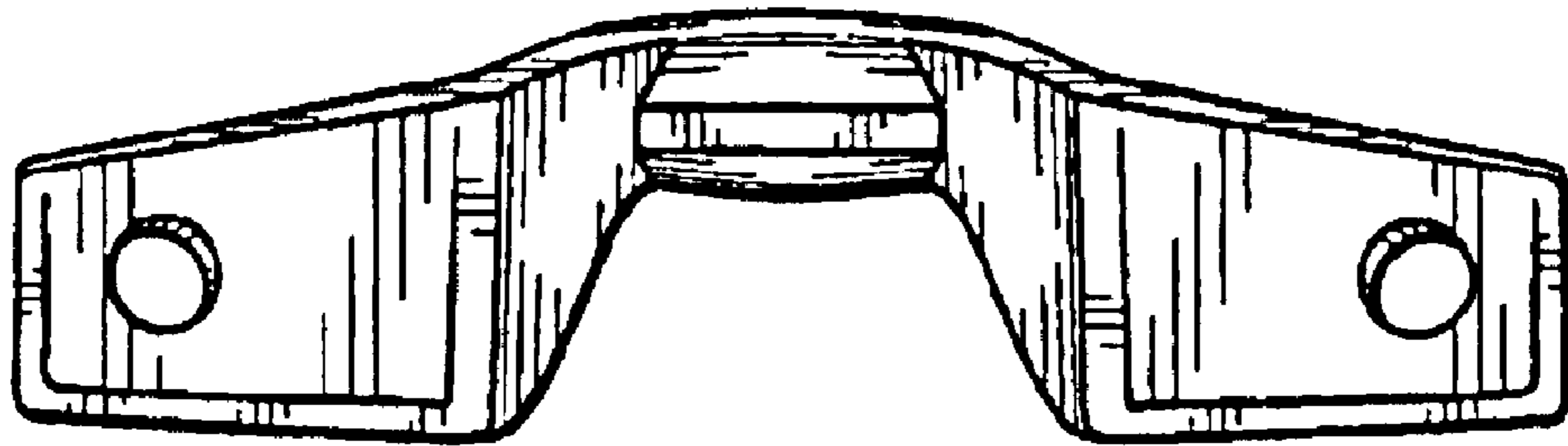


FIG. 5

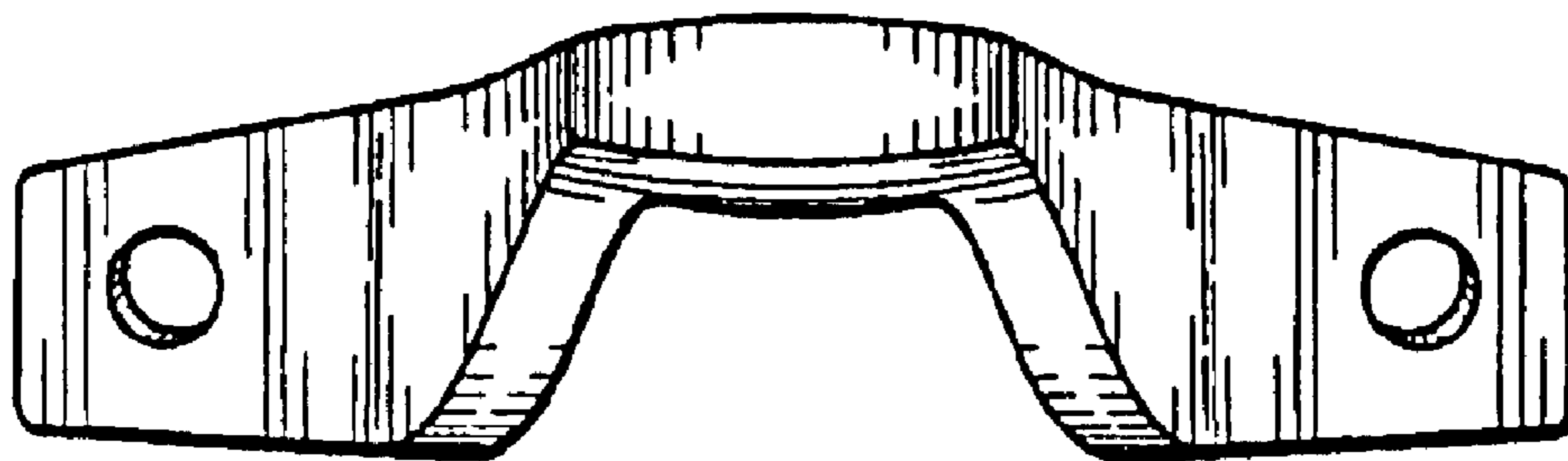


FIG. 6