



US00D497769S1

(12) **United States Design Patent** (10) **Patent No.:** **US D497,769 S**
Steinberg et al. (45) **Date of Patent:** **** Nov. 2, 2004**

(54) **GRIDDLE**

(75) Inventors: **Howard I. Steinberg**, Shelton, CT (US); **Michelle Carillo**, Norwalk, CT (US); **David J. Wanat**, Merdieu, CT (US); **Jill Kreutzer Orent**, Westport, CT (US)

(73) Assignee: **Conair Corporation**, Stamford, CT (US)

(**) Term: **14 Years**

(21) Appl. No.: **29/185,627**

(22) Filed: **Jun. 30, 2003**

(51) **LOC (7) Cl.** **07-02**

(52) **U.S. Cl.** **D7/363**

(58) **Field of Search** D7/332-337, 402-405, D7/346-347, 362-367; 126/25 R, 41 R; 99/425, 445-446, 450, 422; 219/433, 443.1, 450.1, 451.1

(56) **References Cited**

U.S. PATENT DOCUMENTS

D395,198 S * 6/1998 Wania D7/407
 RE35,998 E * 12/1998 Goto 99/446

D431,152 S * 9/2000 Lee D7/362
 D432,852 S * 10/2000 Mosher et al. D7/337
 D436,796 S * 1/2001 Kalina et al. D7/363
 D437,183 S * 2/2001 Wong et al. D7/362
 6,252,204 B1 * 6/2001 Po-Hei 219/450.1
 6,262,399 B1 * 7/2001 Lau et al. 219/450.1
 6,472,644 B1 * 10/2002 Wu 219/450.1
 D484,737 S * 1/2004 Bodum D7/337

* cited by examiner

Primary Examiner—Ruth McInroy

(74) *Attorney, Agent, or Firm*—Ohlandt, Greeley, Ruggiero & Perle, L.L.P.

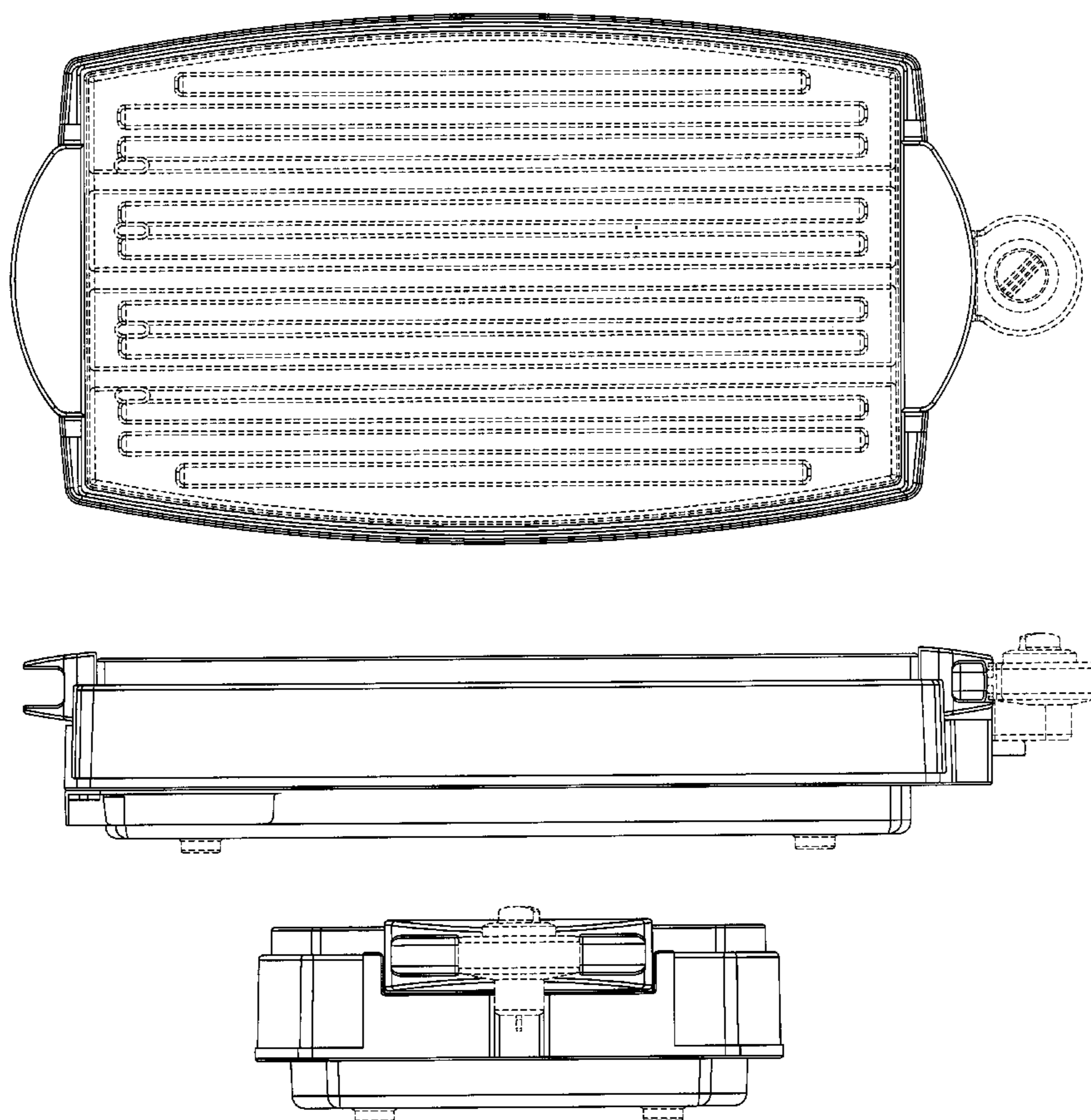
(57) **CLAIM**

We claim the ornamental design for a griddle, as shown and described.

DESCRIPTION

FIG. 1 is a top plan view of a griddle showing our new design;
 FIG. 2 is a bottom plan view thereof;
 FIG. 3 is a side elevation view thereof;
 FIG. 4 is an end elevation view thereof; and,
 FIG. 5 is an end elevation view of the opposite side of FIG. 4.

1 Claim, 3 Drawing Sheets



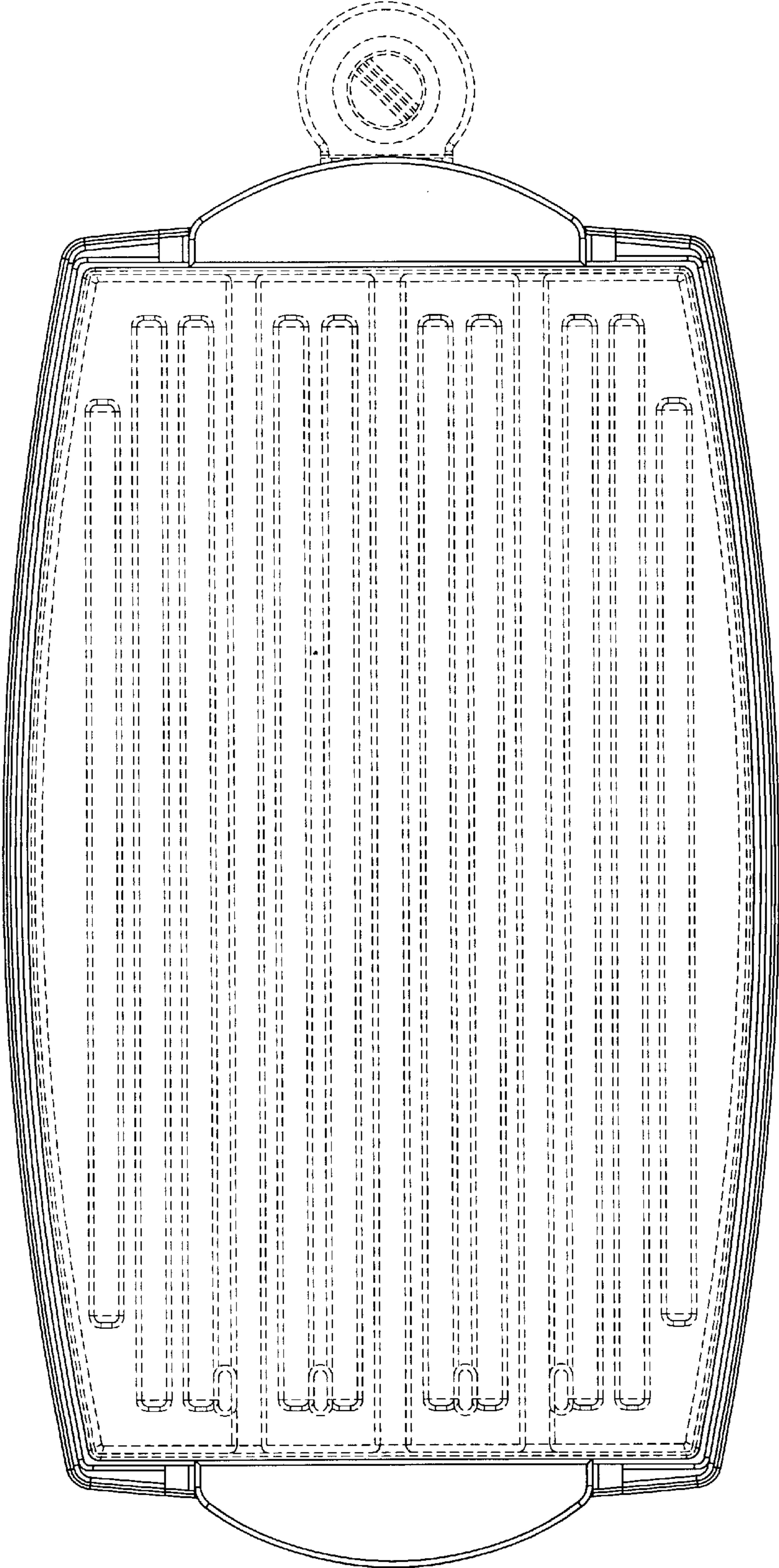


FIG. 1

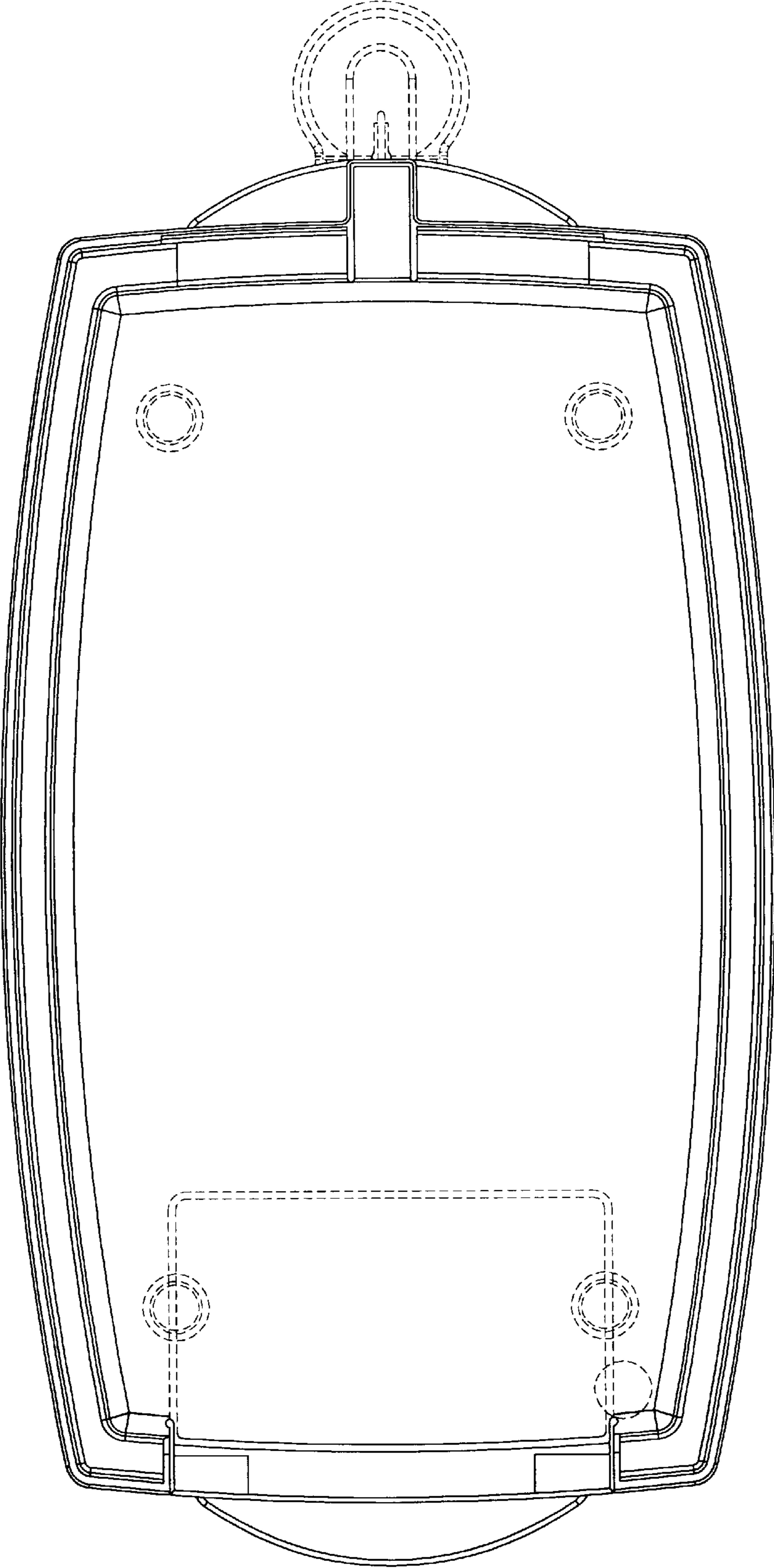


FIG. 2

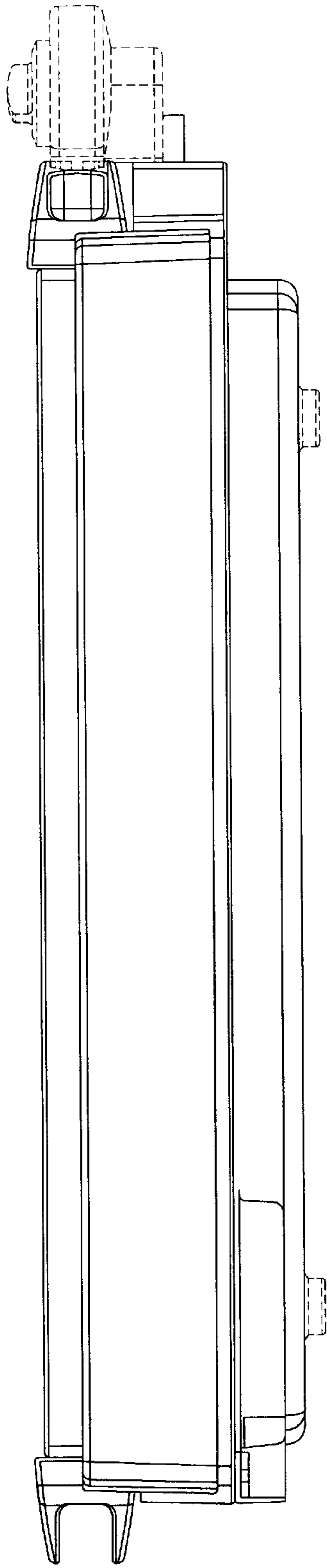


FIG. 3

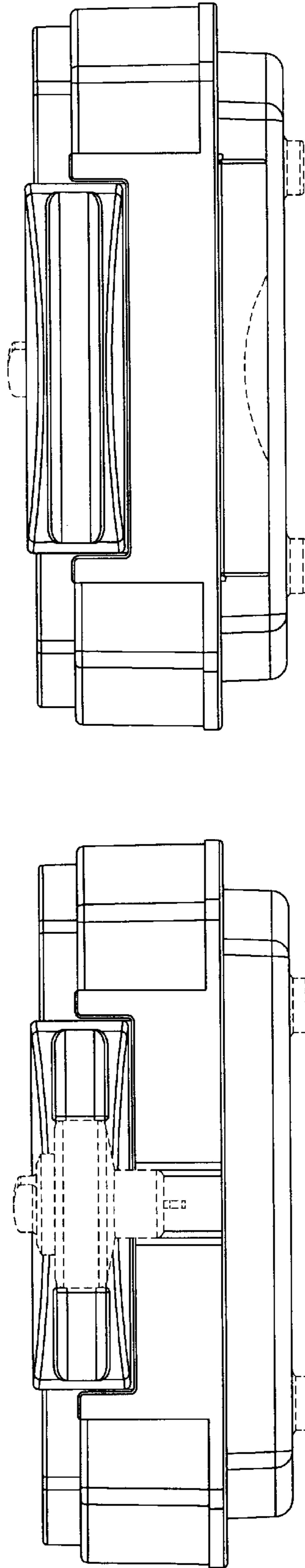


FIG. 4

FIG. 5