

US00D497766S1

(12) **United States Design Patent**
Zhang

(10) **Patent No.:** **US D497,766 S**

(45) **Date of Patent:** **** Nov. 2, 2004**

(54) **BARBEQUE GRILL COOKING APPARATUS**

(76) **Inventor:** **S. R. Zhang**, Block 6, Lakepoint Drive
#03-38, 648925, Singapore (SG)

(**) **Term:** **14 Years**

(21) **Appl. No.:** **29/183,450**

(22) **Filed:** **Jun. 10, 2003**

(51) **LOC (7) Cl.** **07-02**

(52) **U.S. Cl.** **D7/332; D7/334**

(58) **Field of Search** **D7/332-337, 402-405;**
126/25 R, 25 A, 25 AA, 41 R, 50, 9 R;
99/419, 421 HV

(56) **References Cited**

U.S. PATENT DOCUMENTS

D295,135 S	*	4/1988	Ogden	D7/334
5,036,832 A	*	8/1991	Schlosser et al.	126/243
D435,387 S	*	12/2000	Pai	D7/334
D460,657 S	*	7/2002	Bossler	D7/334
D464,524 S	*	10/2002	Pai	D7/334
D469,650 S	*	2/2003	Pai	D7/334

D471,056 S	*	3/2003	Pai	D7/334
D471,754 S	*	3/2003	Pai	D7/332
D478,245 S	*	8/2003	Zhu	D7/332
D485,116 S	*	1/2004	Kwok	D7/334
6,684,876 B2	*	2/2004	Bossler	126/25 R

* cited by examiner

Primary Examiner—Ruth McInroy

(74) *Attorney, Agent, or Firm*—Leonard Tachner

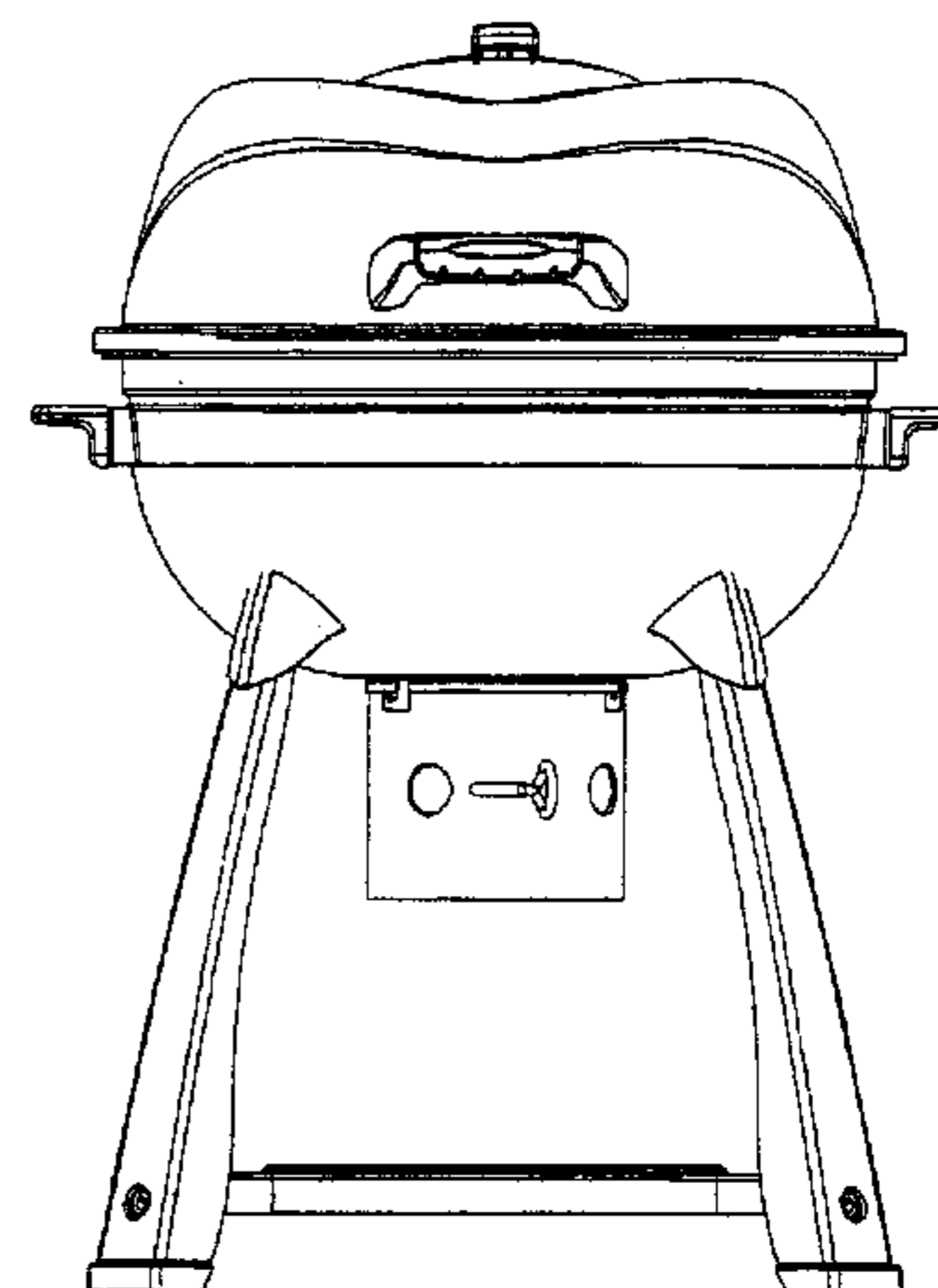
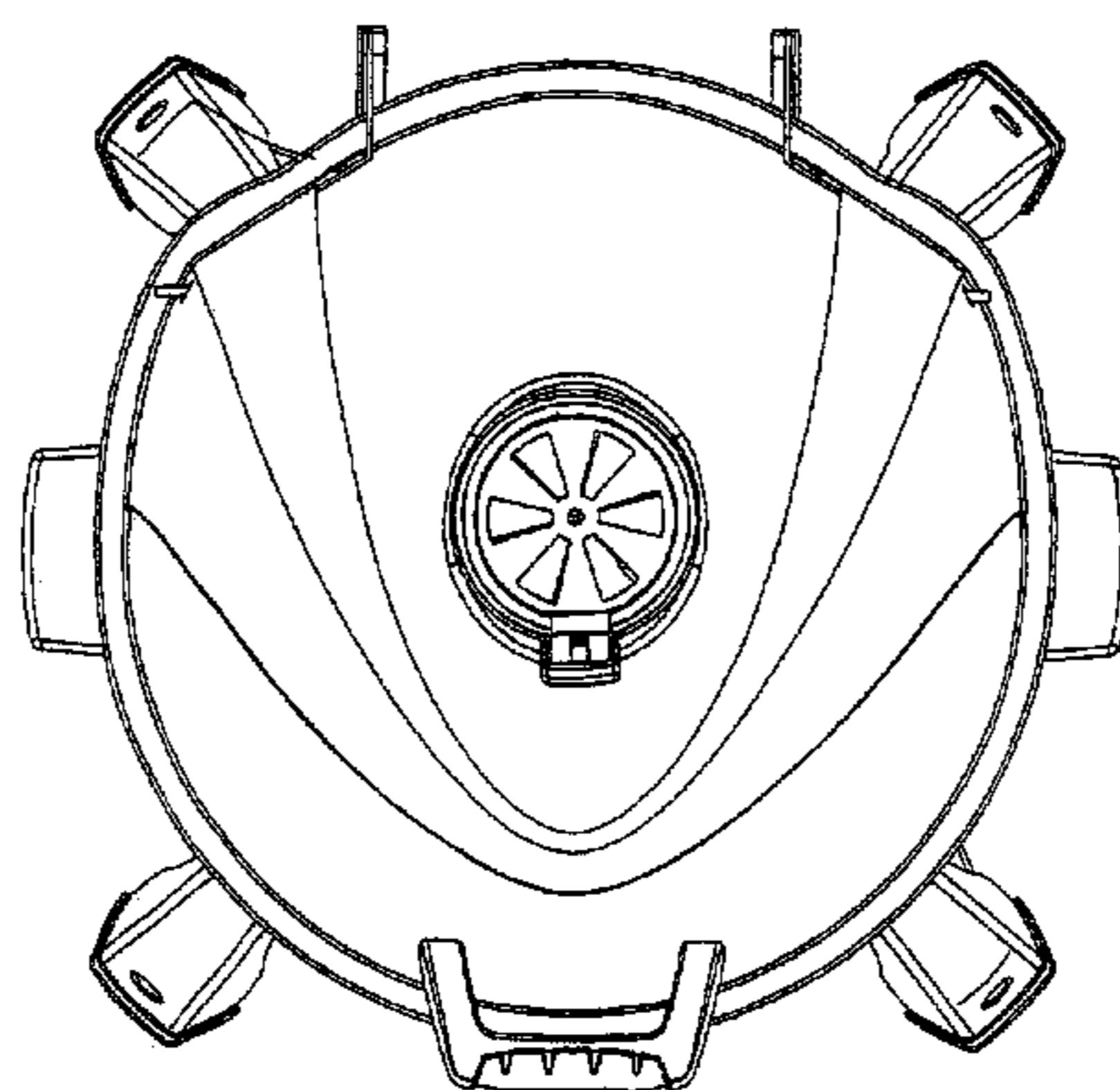
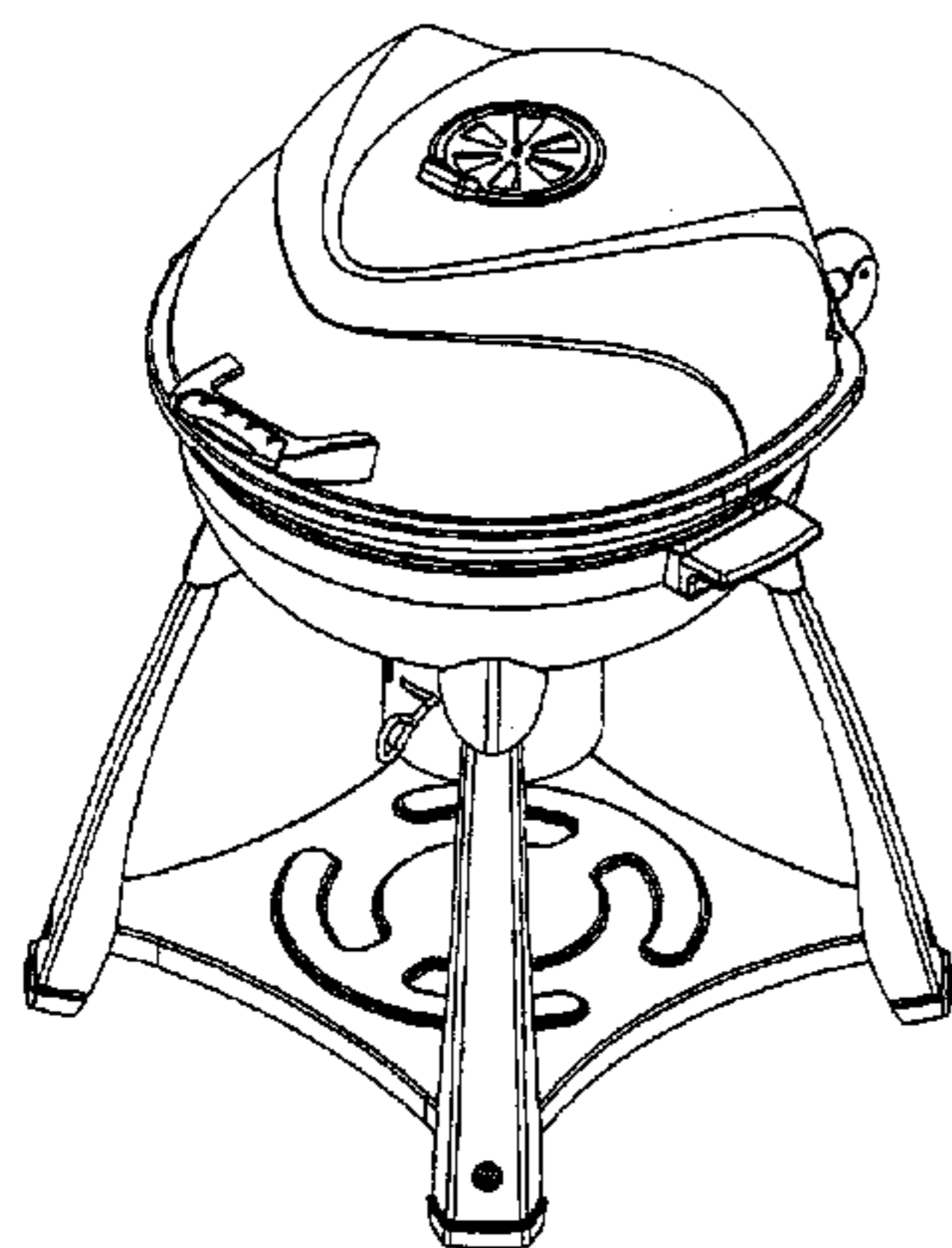
(57) **CLAIM**

The ornamental design for a “barbeque grill cooking apparatus”, as shown and described.

DESCRIPTION

FIG. 1 is a perspective view of a barbeque grill cooking apparatus showing my new design;
FIG. 2 is a top view thereof;
FIG. 3 is a bottom view thereof;
FIG. 4 is a right side view thereof;
FIG. 5 is a left side view thereof;
FIG. 6 is a front view thereof; and,
FIG. 7 is a rear view thereof.

1 Claim, 7 Drawing Sheets



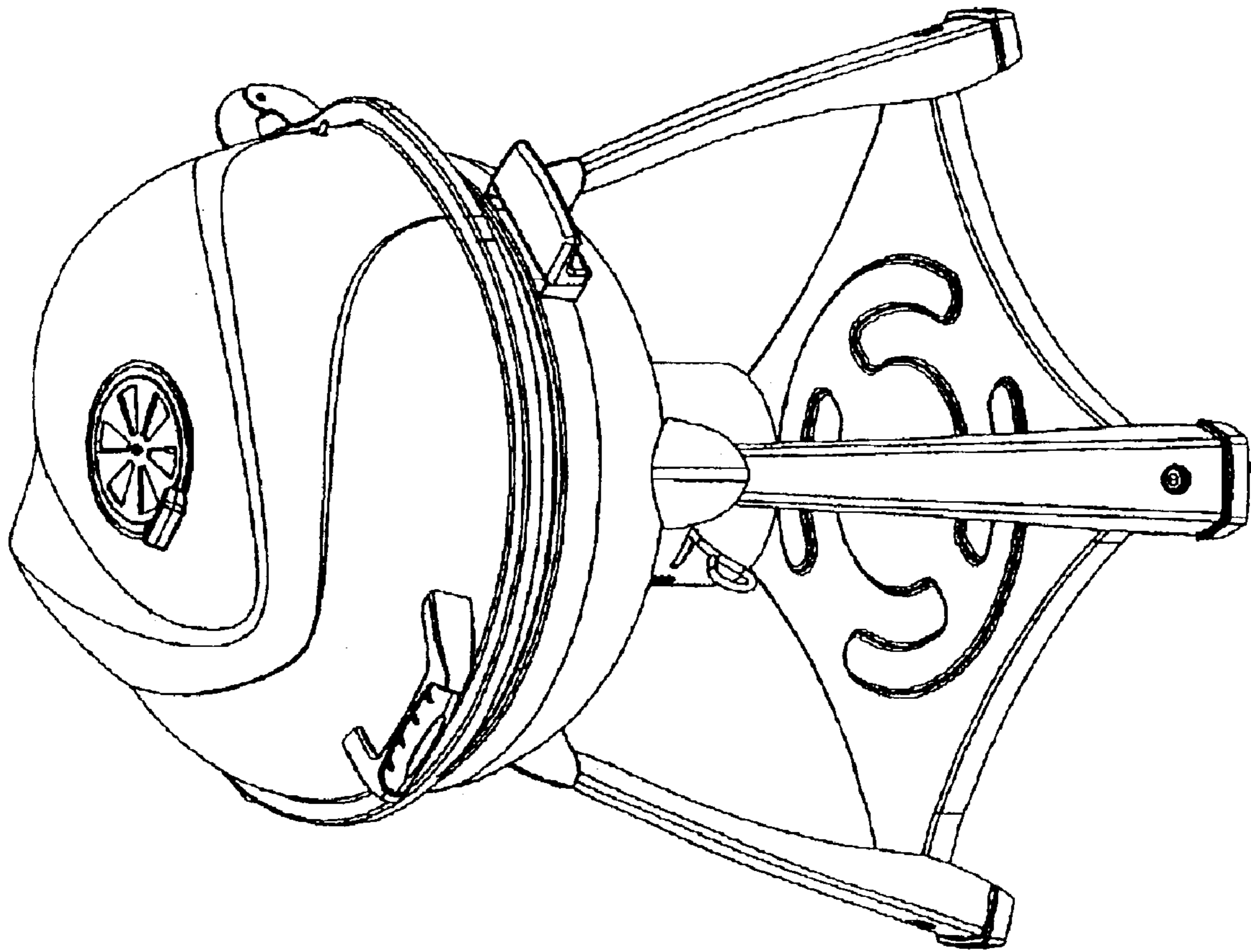


FIG. 1

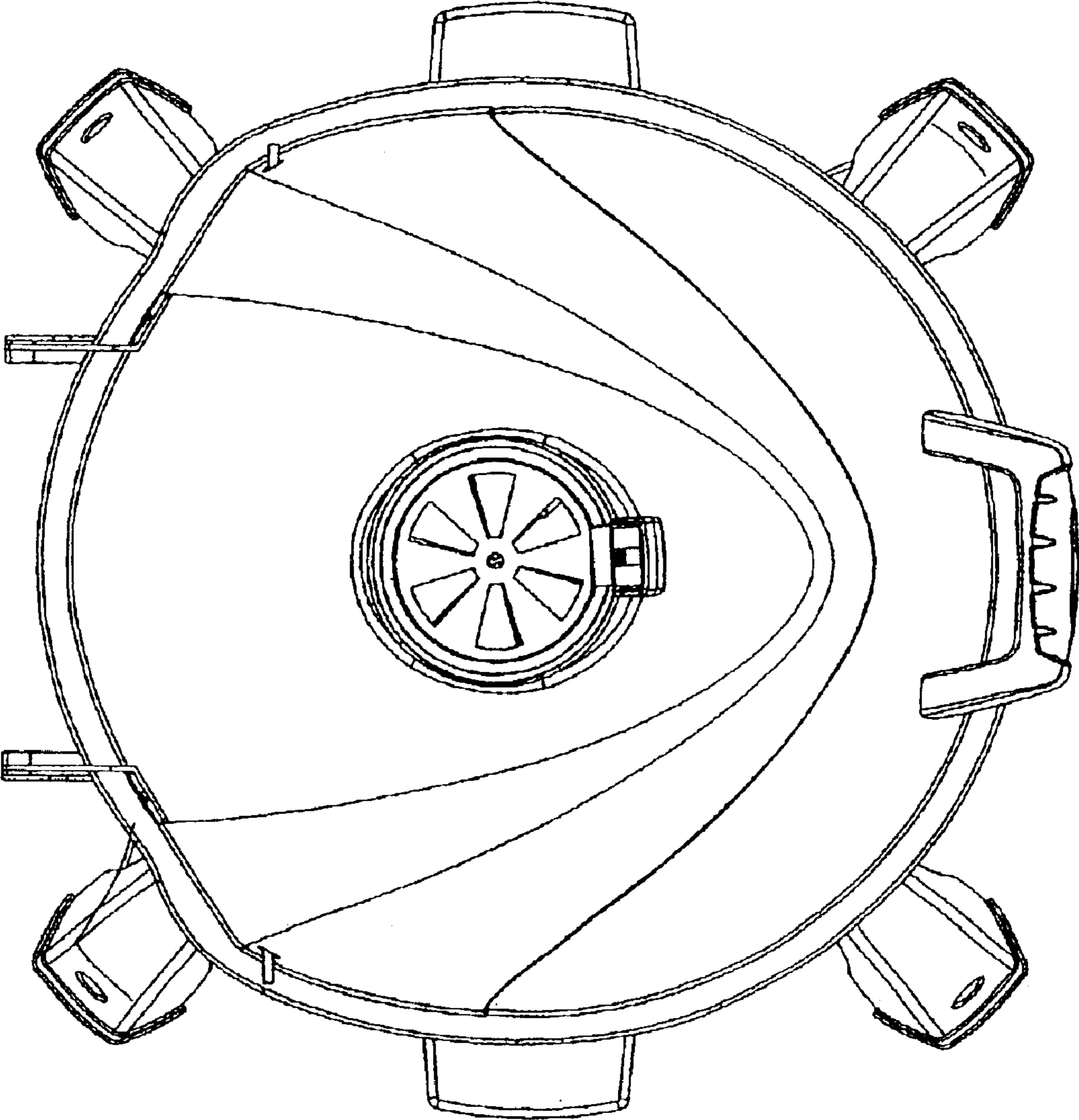


FIG. 2

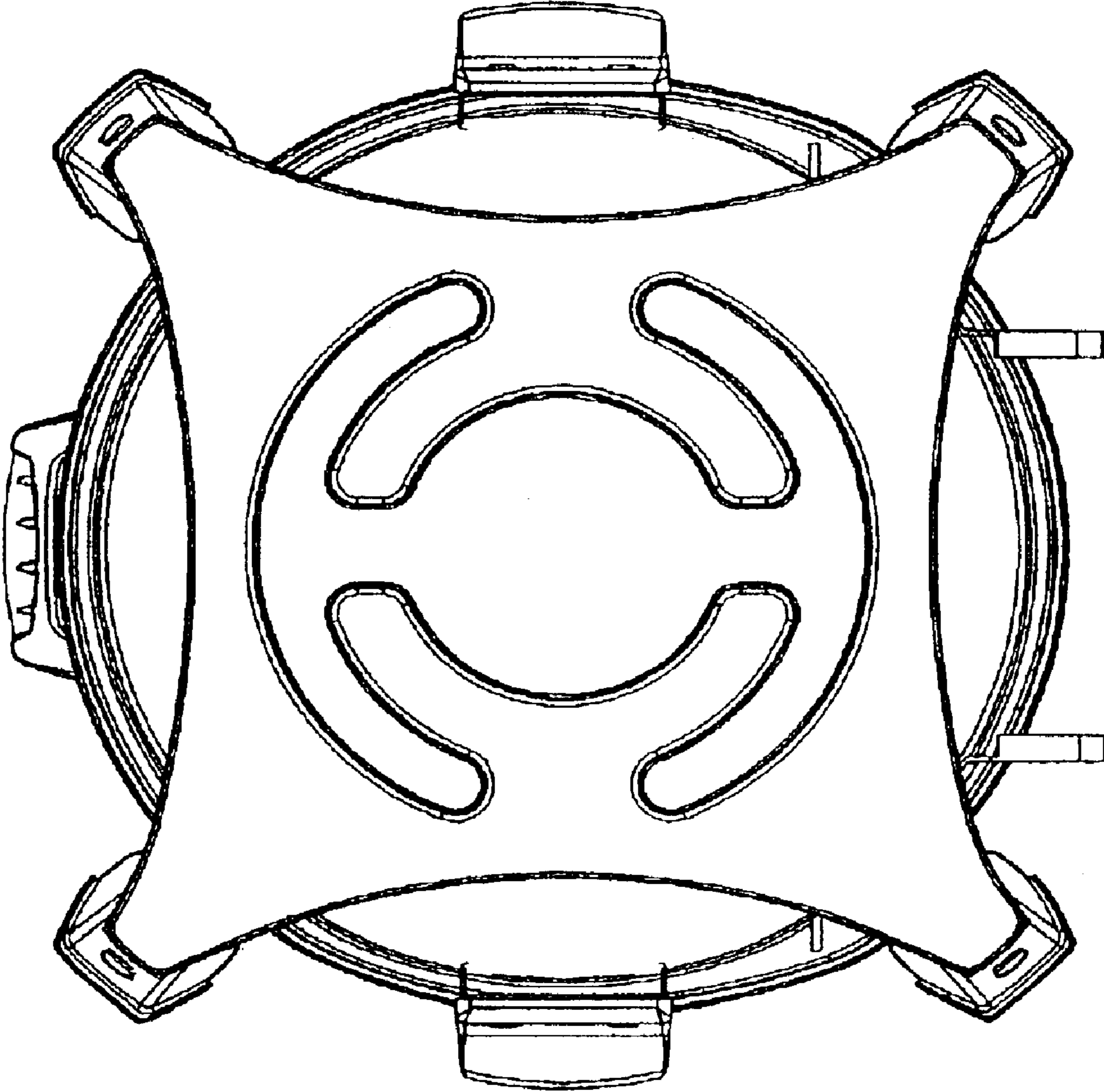


FIG. 3

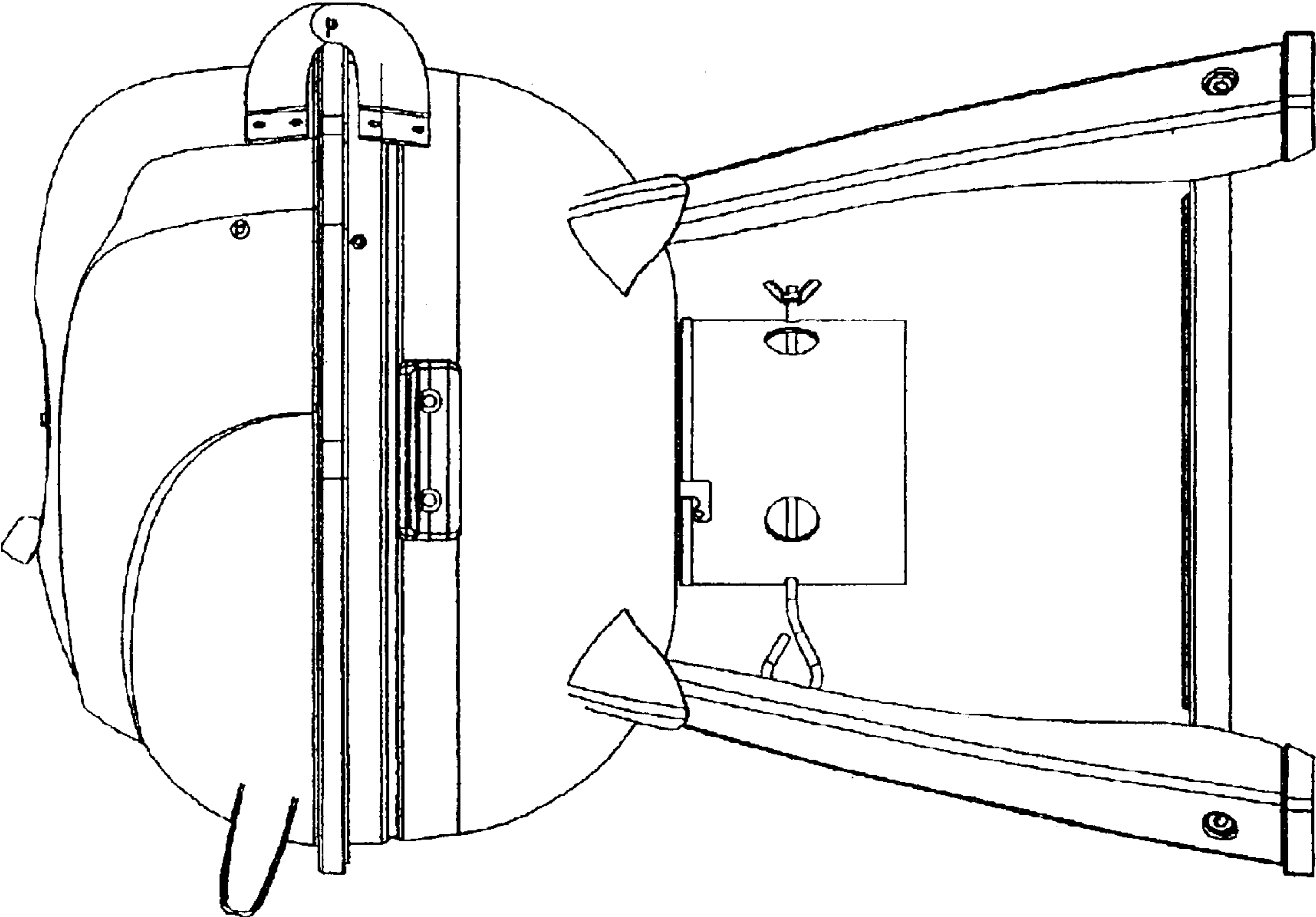


FIG. 4

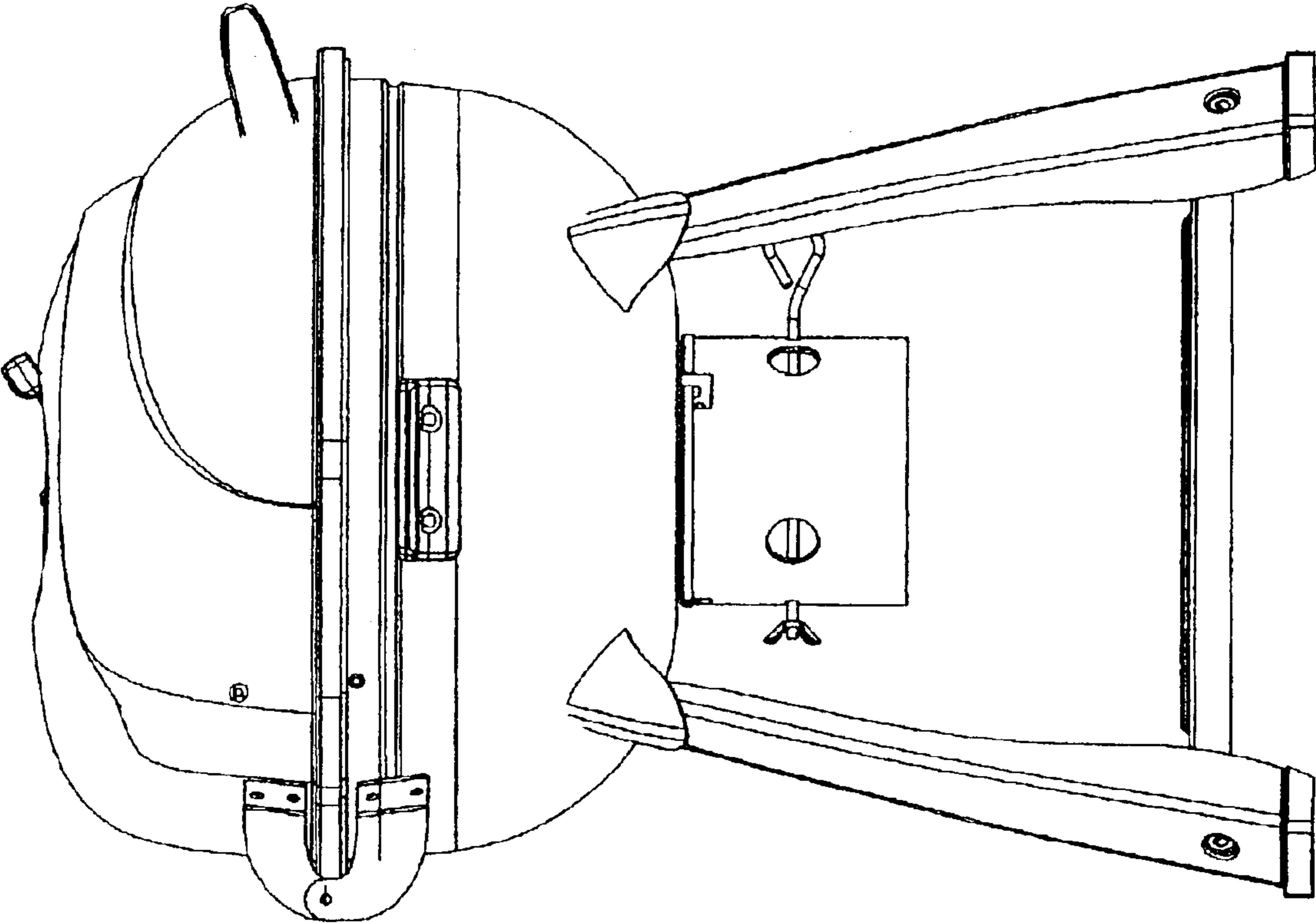


FIG. 5

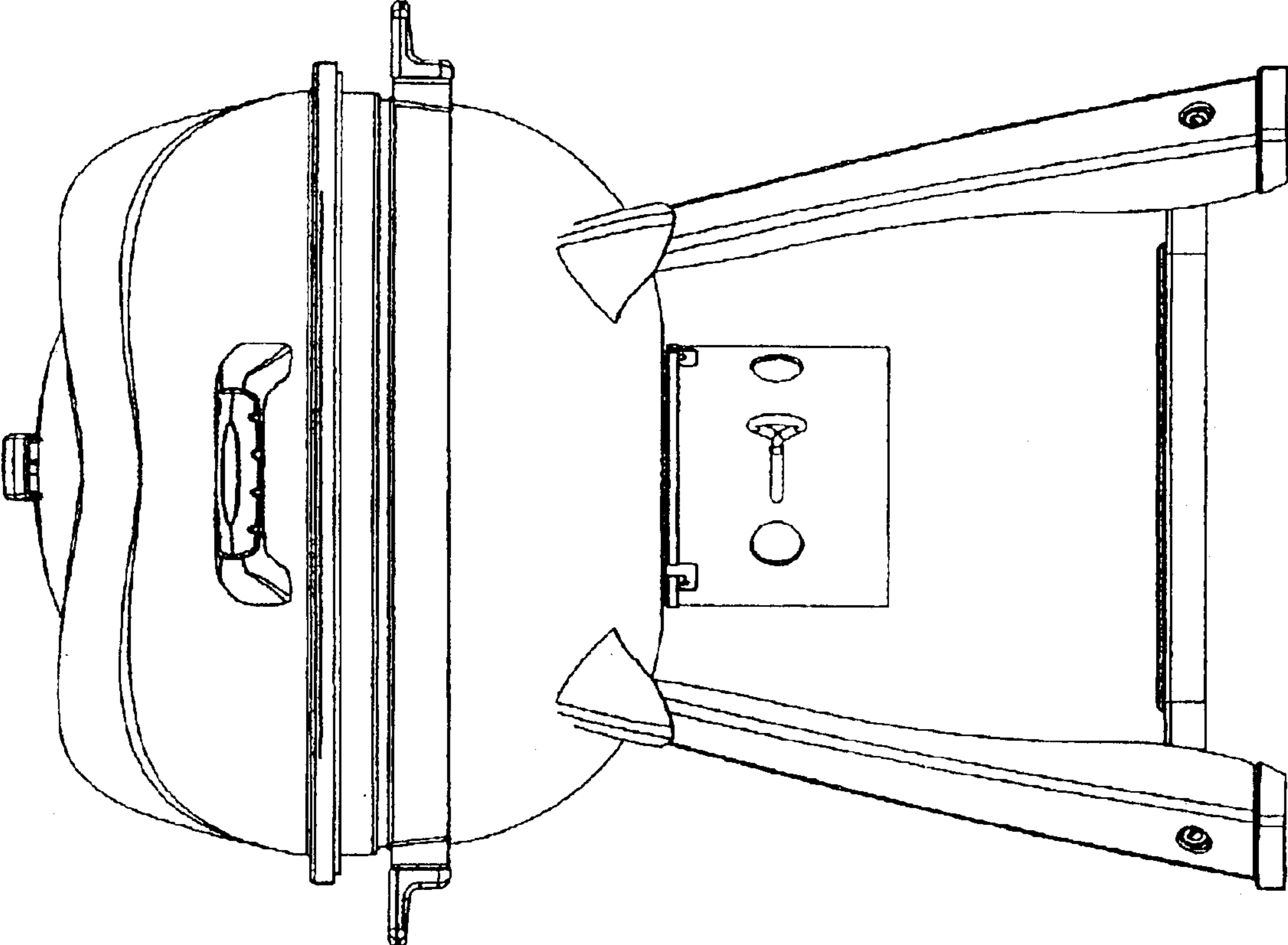


FIG. 6

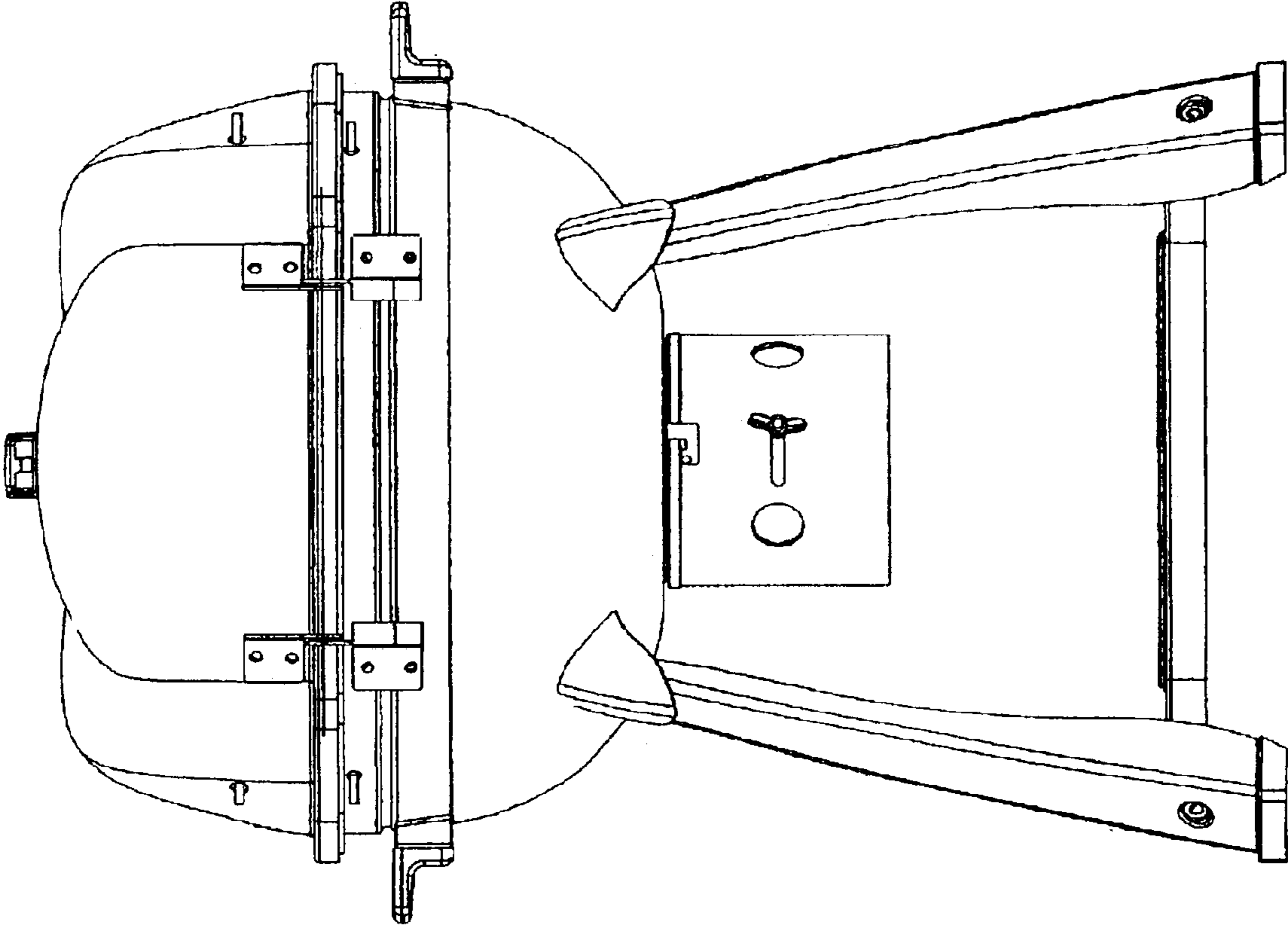


FIG. 7