

US00D497764S1

(12) **United States Design Patent**
Nelson

(10) **Patent No.:** **US D497,764 S**

(45) **Date of Patent:** **** Nov. 2, 2004**

(54) **STRAW WITH ANGLED OUTPUT**

(76) **Inventor:** **David Nelson**, 10 Westbrook La.,
Attleboro, MA (US) 02703

(**) **Term:** **14 Years**

(21) **Appl. No.:** **29/195,975**

(22) **Filed:** **Dec. 20, 2003**

(51) **LOC (7) Cl.** **07-06**

(52) **U.S. Cl.** **D7/300.2; D24/108**

(58) **Field of Search** **D7/300.2; D24/108,**
D24/112; 215/229, 388, 389; 239/16, 24,
33; 604/35, 542, 902; 606/170; 433/91,
96

(56) **References Cited**

U.S. PATENT DOCUMENTS

D246,688 S	*	12/1977	Nassau	D7/300.2
D379,854 S	*	6/1997	Hirsch et al.	D24/112
5,766,194 A	*	6/1998	Smith	606/167
D409,746 S	*	5/1999	Hechel	D24/112

6,062,488 A	*	5/2000	McCafferty	239/33
6,375,091 B1		4/2002	Cha	239/33
6,460,777 B2		10/2002	Float et al.	239/33

* cited by examiner

Primary Examiner—Terry A. Wallace

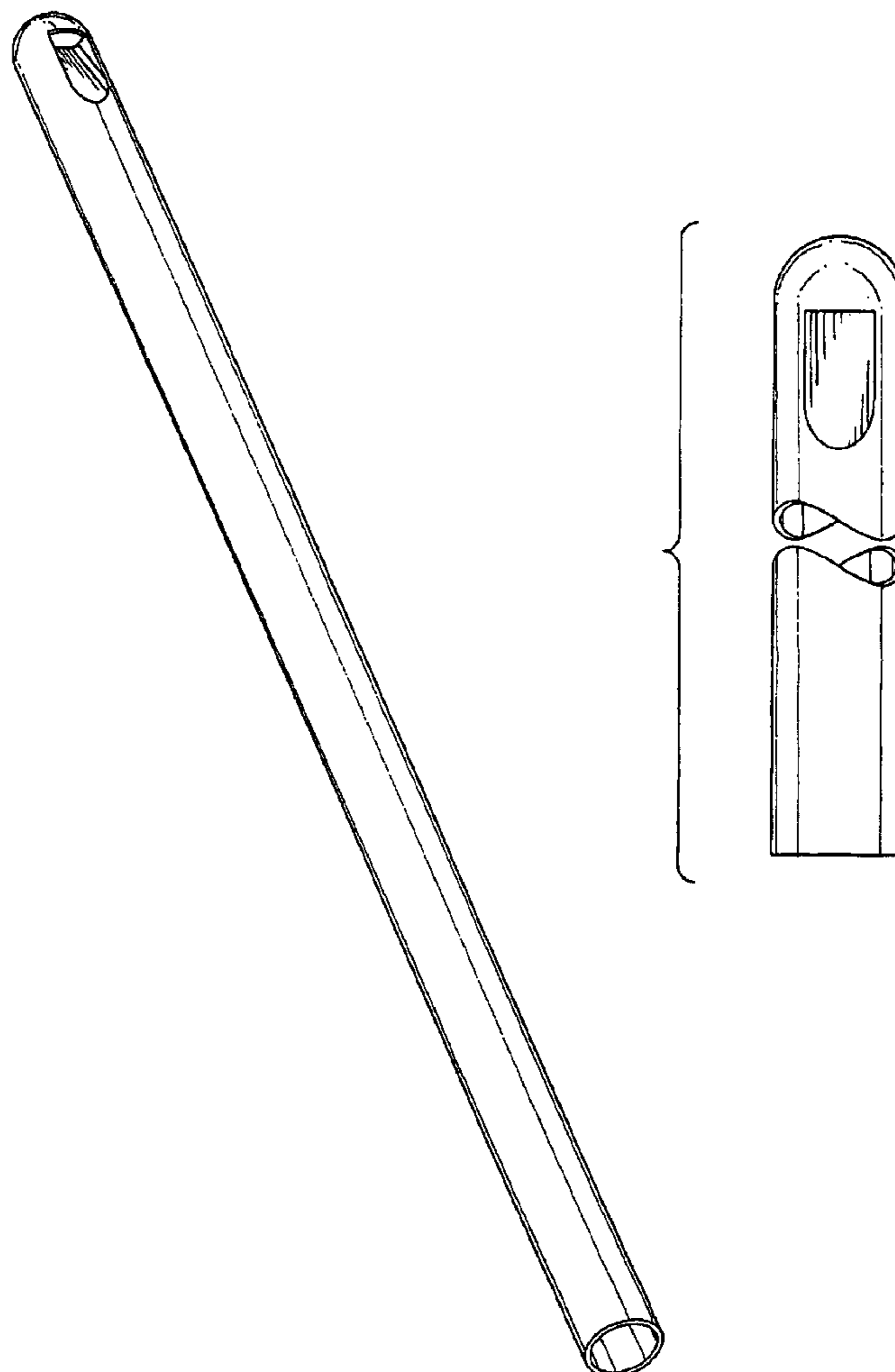
(57) **CLAIM**

The ornamental design for a straw with angled output, as shown and described.

DESCRIPTION

FIG. 1 is a perspective view of the straw with angled output showing my new design;
FIG. 2 is an enlarged perspective view thereof;
FIG. 3 is a front view thereof;
FIG. 4 is a rear view thereof;
FIG. 5 is a right side view thereof;
FIG. 6 is a top view thereof;
FIG. 7 is a bottom view thereof; and,
FIG. 8 is a cross-sectional view thereof.

1 Claim, 4 Drawing Sheets



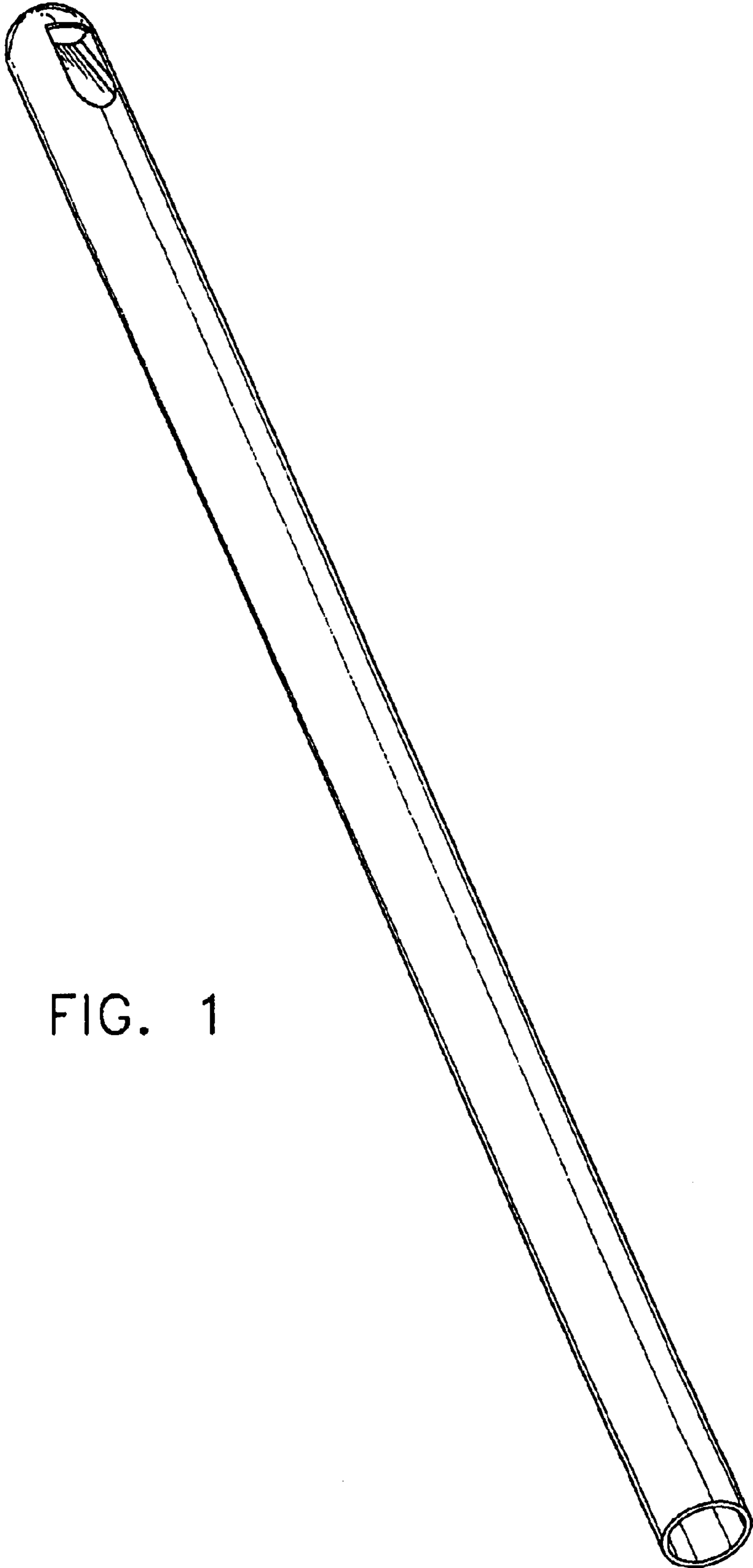


FIG. 1

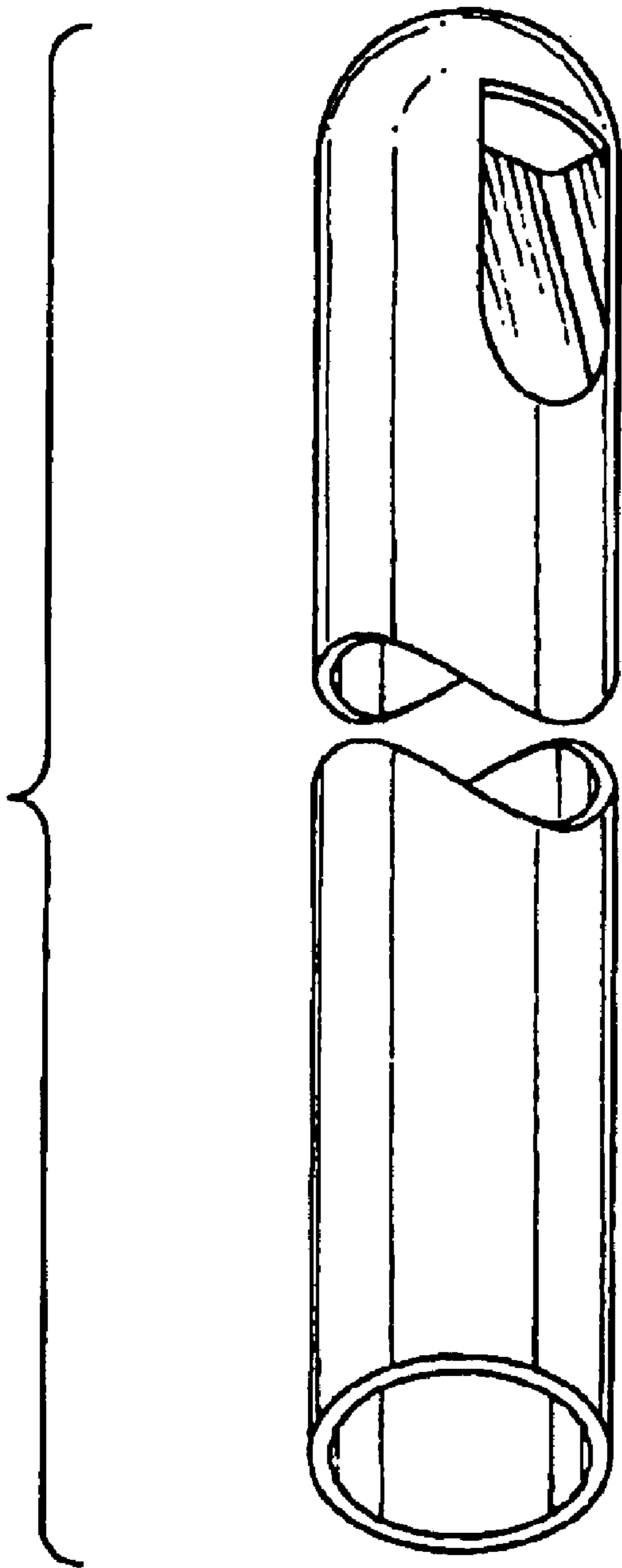


FIG. 2

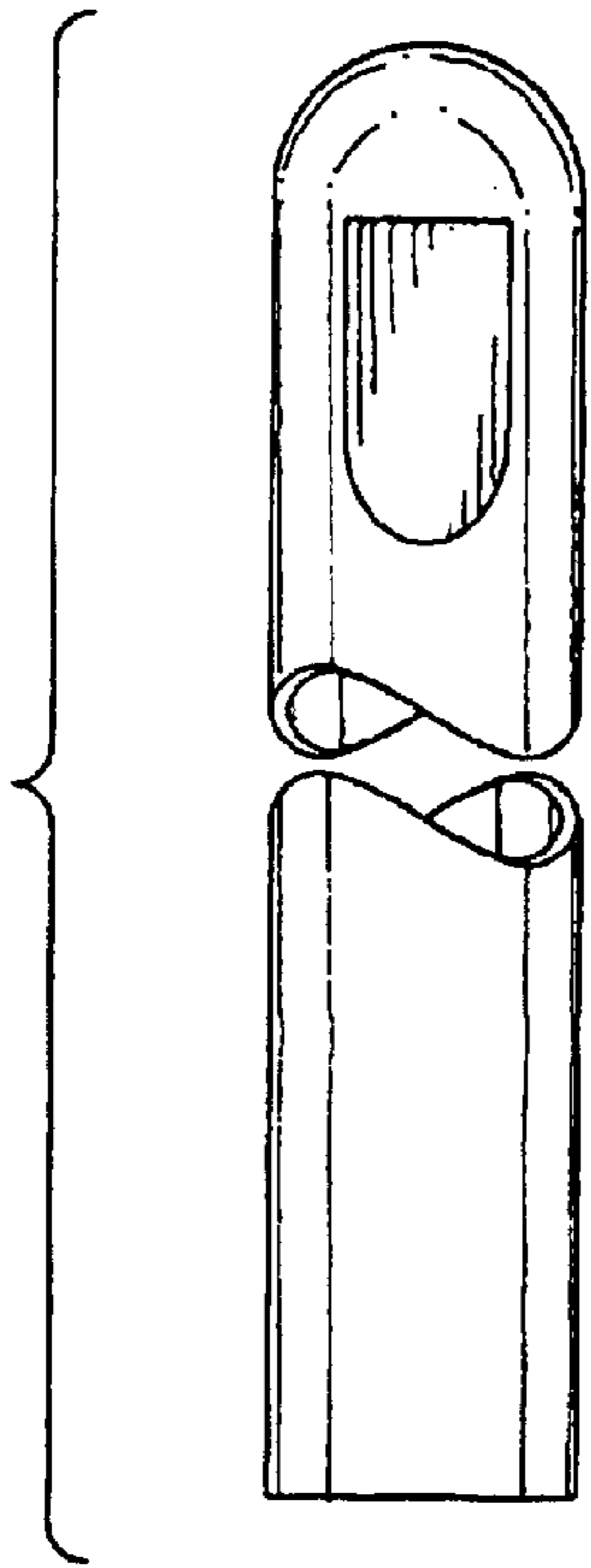


FIG. 3

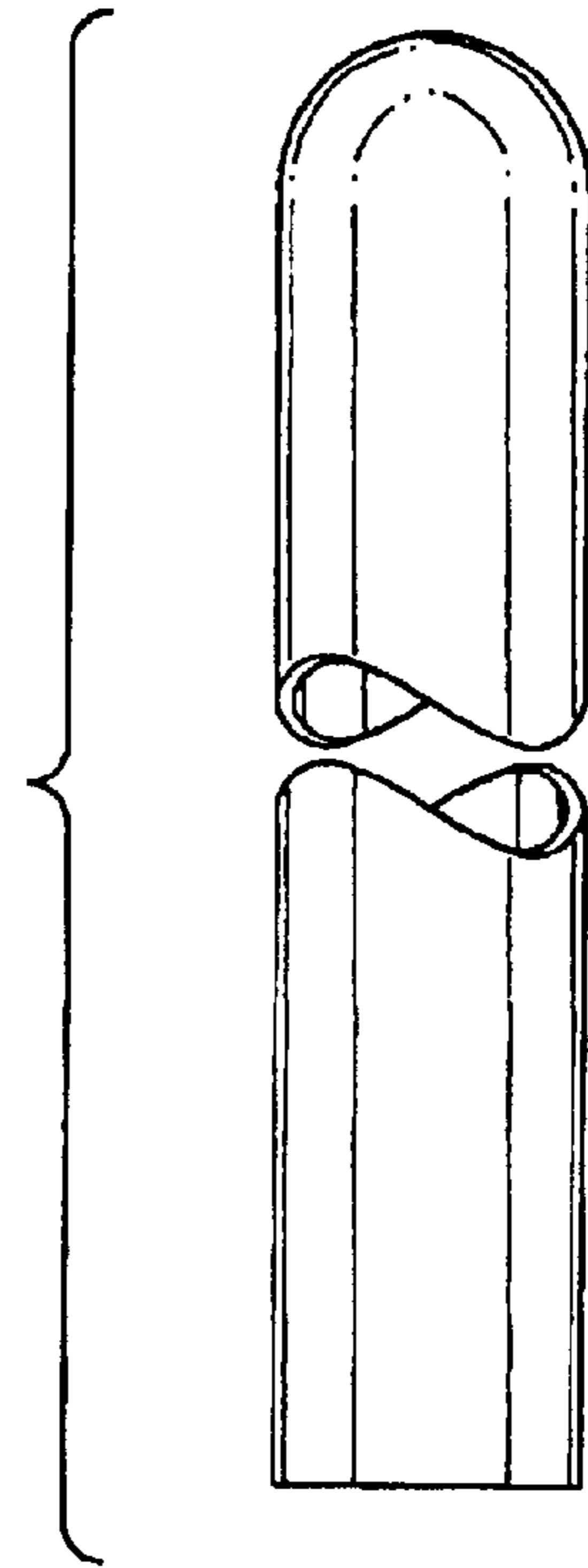


FIG. 4

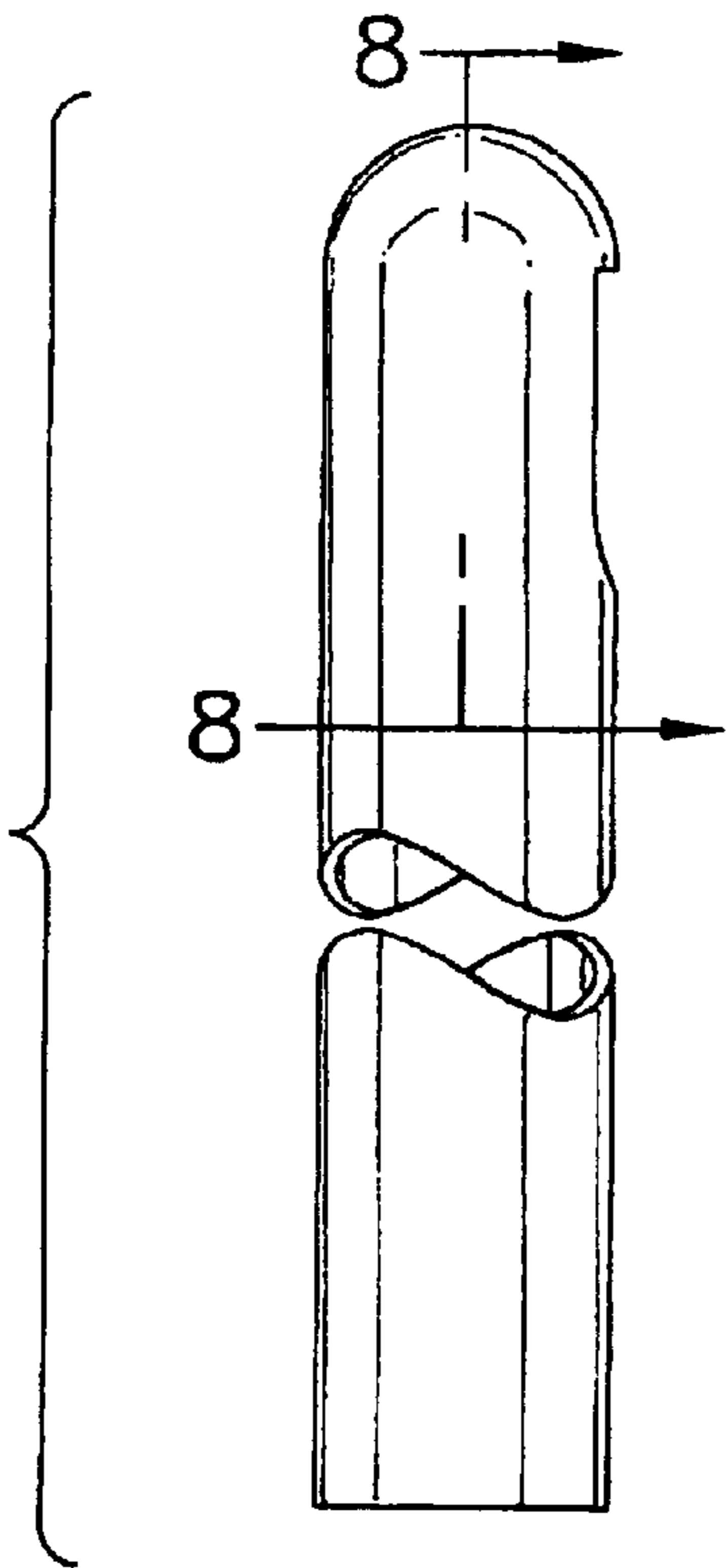


FIG. 5

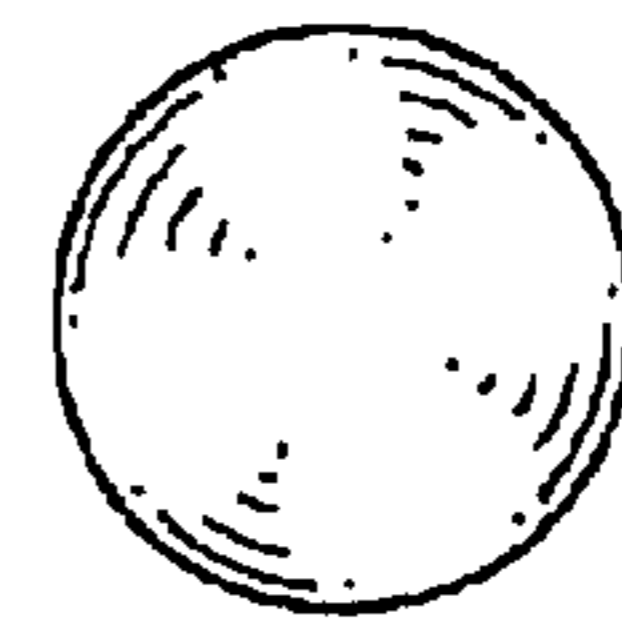


FIG. 6

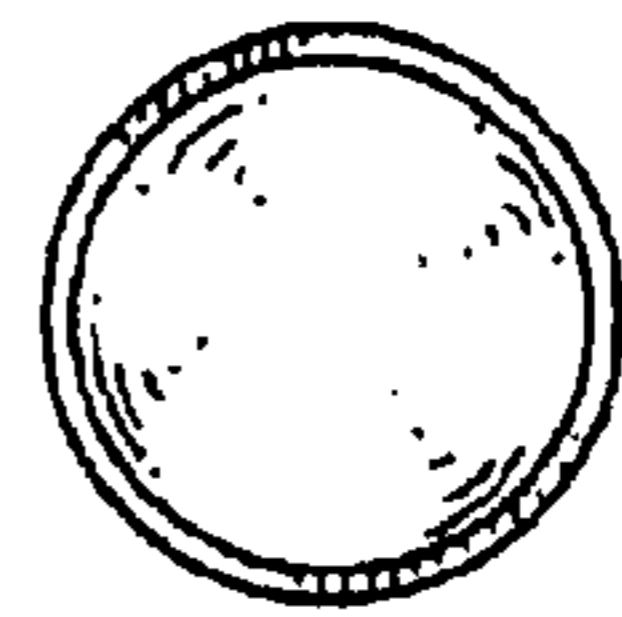


FIG. 7

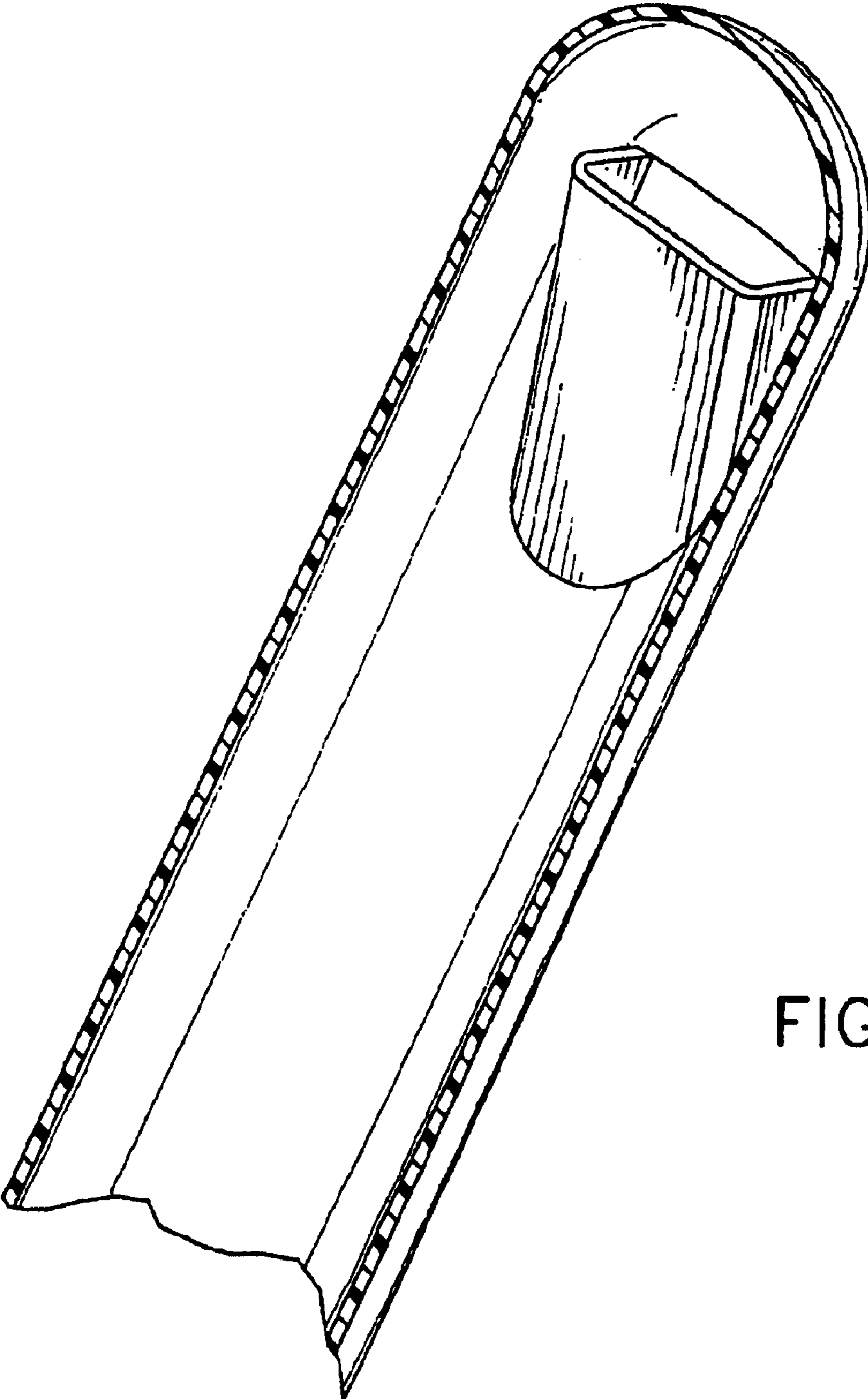


FIG. 8