

US00D497762S1

(12) **United States Design Patent**  
**Kollegian**

(10) **Patent No.: US D497,762 S**

(45) **Date of Patent: \*\* Nov. 2, 2004**

- (54) **HOLDER FOR COMPACT DISCS**
- (75) **Inventor: Les Kollegian, La Jolla, CA (US)**
- (73) **Assignee: Disc Dealer, Inc., San Diego, CA (US)**
- (\*\*) **Term: 14 Years**
- (21) **Appl. No.: 29/169,480**
- (22) **Filed: Oct. 21, 2002**
- (51) **LOC (7) Cl. .... 06-04**
- (52) **U.S. Cl. .... D6/629**
- (58) **Field of Search** ..... D6/407, 628-630, D6/418, 462-465, 467, 468, 475, 477-479, 511; 108/59, 91, 93, 147.11; 206/307, 307.1, 308.1; 211/40, 41.1, 41.2, 41.12, 76, 126.19, 133.2, 133.5, 153, 181.1, 180; 312/9.1, 9.9, 9.47, 9.48, 9.51-9.54, 9.64, 213

- 5,170,893 A \* 12/1992 Smith ..... 211/40
- 5,632,374 A \* 5/1997 Fitzsimmons et al. .... 211/40 X
- D413,930 S \* 9/1999 Ancona et al. .... D6/629 X

\* cited by examiner

*Primary Examiner*—Cathron Brooks

(74) *Attorney, Agent, or Firm*—Dalina Law Group P.C.

(57) **CLAIM**

The ornamental design for a holder for compact discs, as shown and described.

**DESCRIPTION**

FIG. 1 is a left side perspective view of a disc holder illustrating a new design;  
 FIG. 2 is a right side perspective showing view thereof;  
 FIG. 3 is a cross sectional view taken along line 3—3 of FIG. 5;  
 FIG. 4 is a side view thereof;  
 FIG. 5 is a top view thereof; and,  
 FIG. 6 is a bottom view thereof.

(56) **References Cited**

**U.S. PATENT DOCUMENTS**

- D162,349 S \* 3/1951 Shapiro ..... D6/468

**1 Claim, 5 Drawing Sheets**

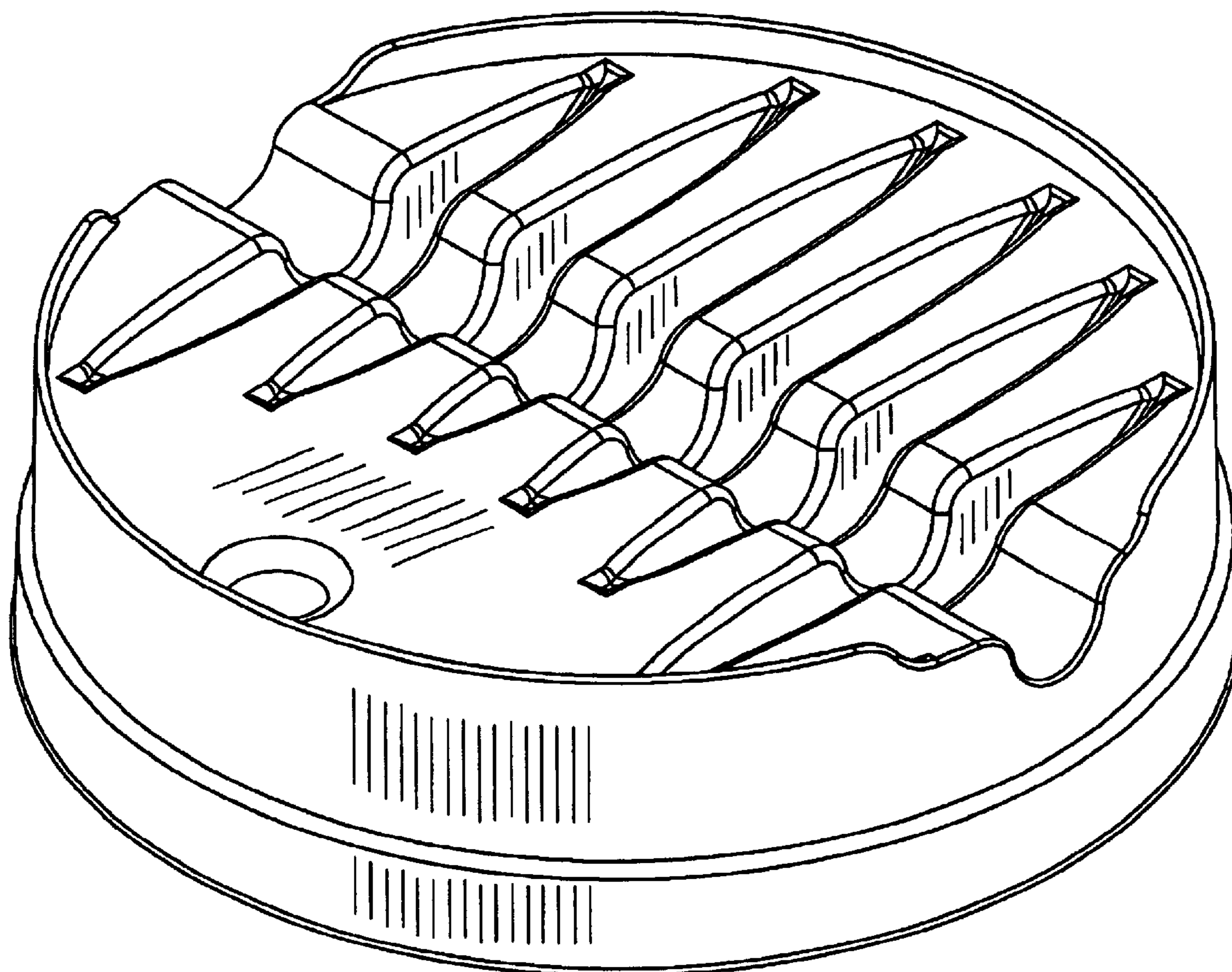


Fig. 1

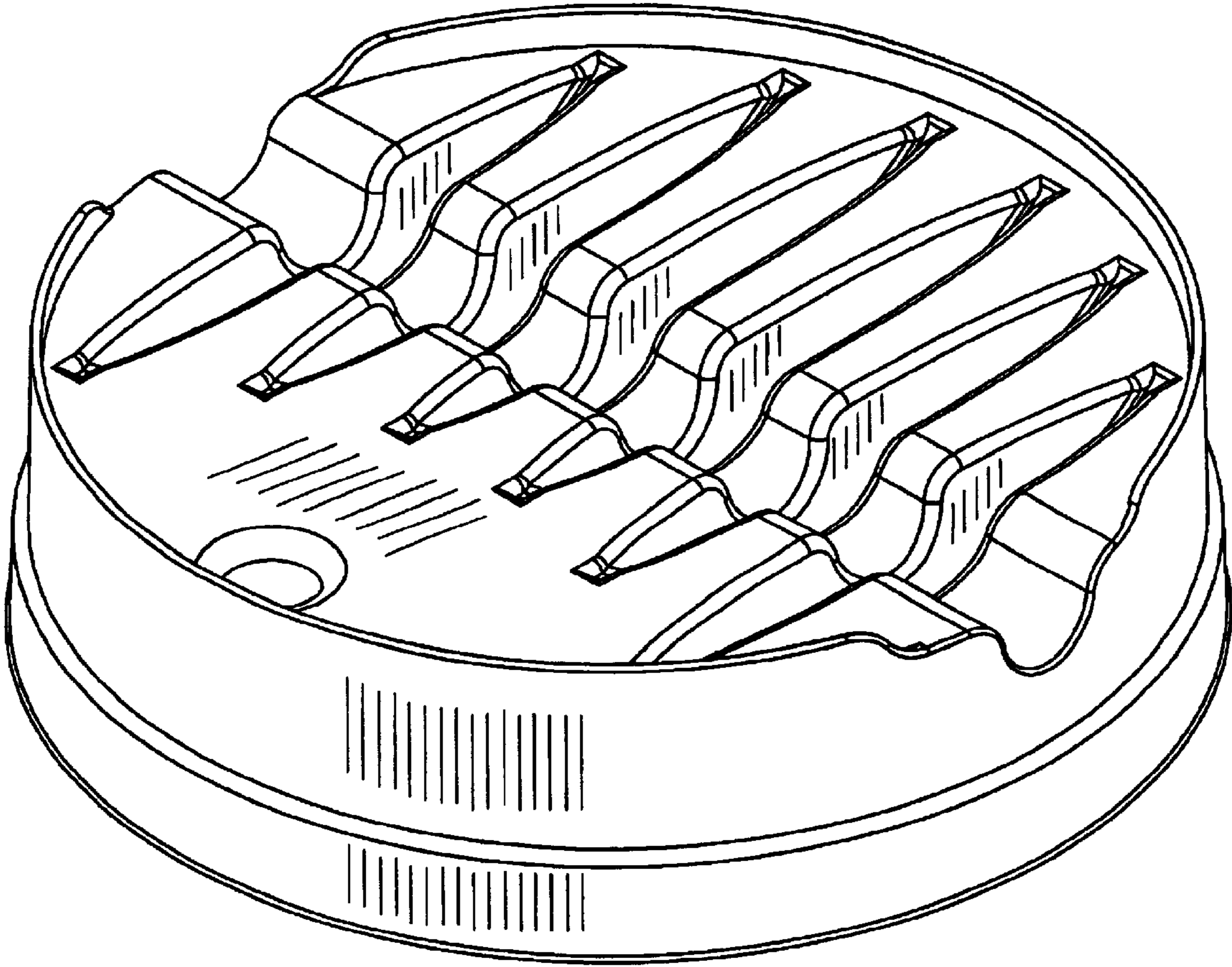


Fig. 2

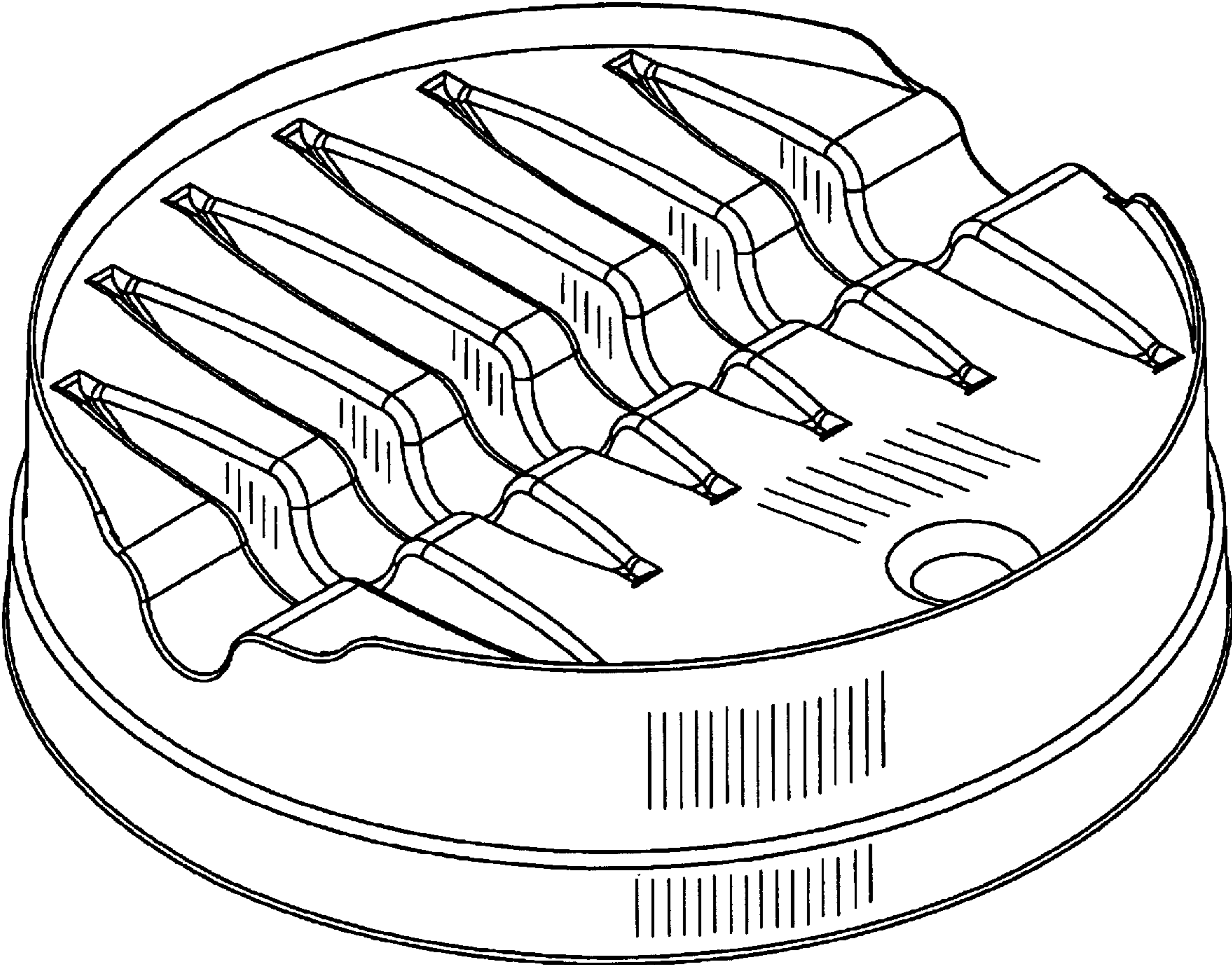


Fig. 3

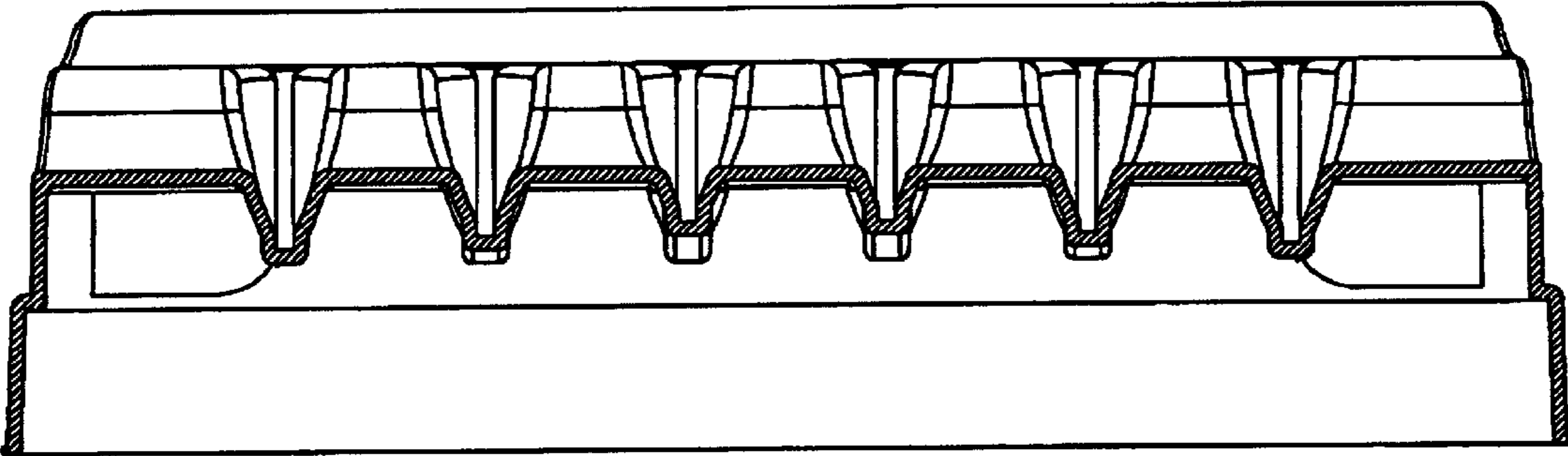


Fig. 4

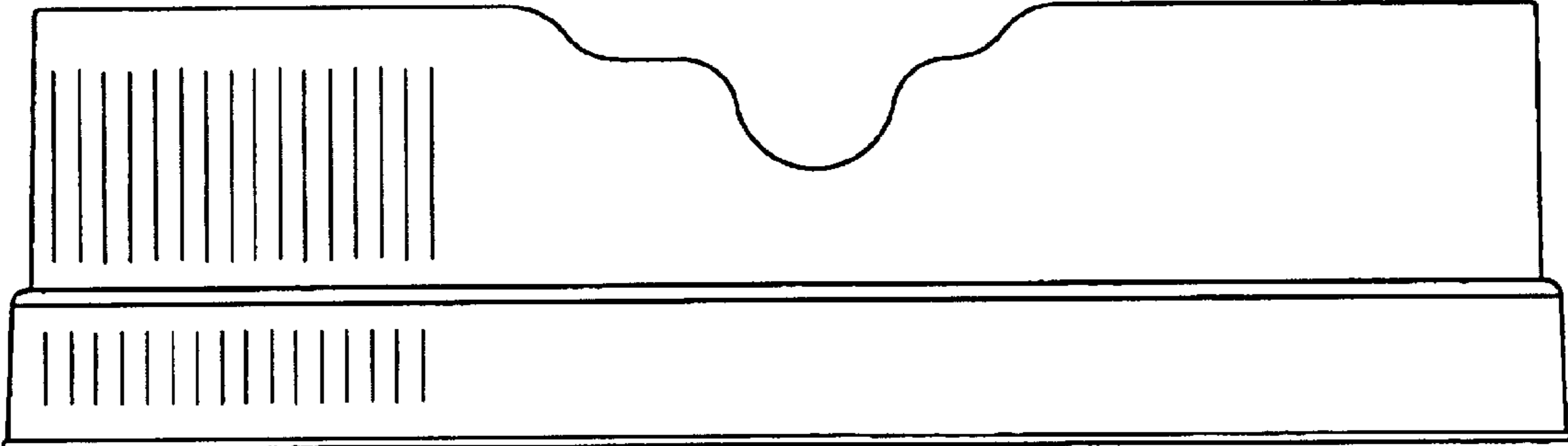




Fig. 5

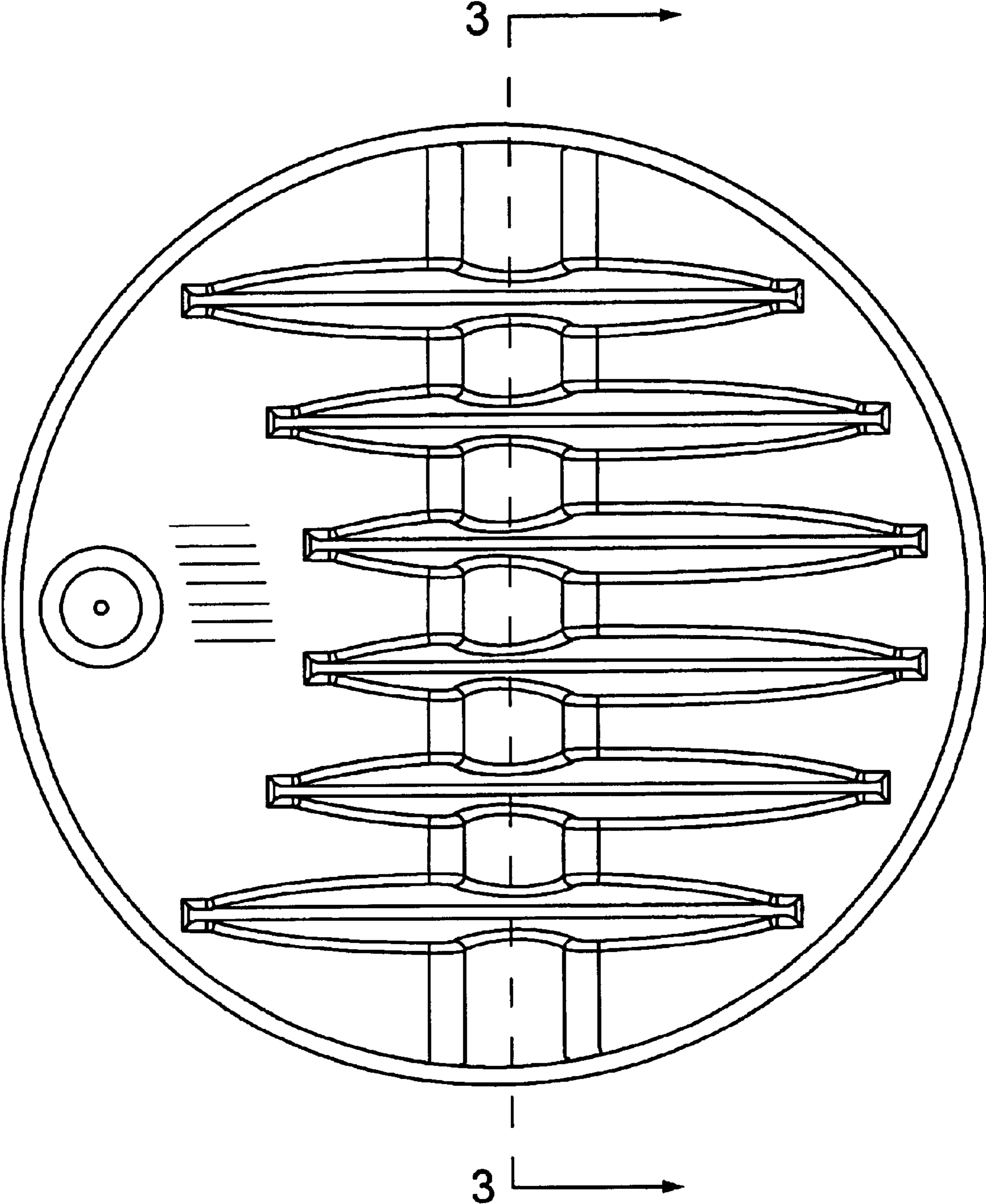


Fig. 6

