

US00D497758S1

(12) **United States Design Patent**  
**Goldberg**

(10) **Patent No.:** **US D497,758 S**

(45) **Date of Patent:** **\*\* Nov. 2, 2004**

(54) **HEAD RAIL FOR VENETIAN BLIND TYPE COVERING**

D443,457 S \* 6/2001 Horsten ..... D6/580  
D454,180 S \* 3/2002 Wessels ..... D23/267

(75) Inventor: **Michael S. Goldberg**, Longmont, CO (US)

\* cited by examiner

*Primary Examiner*—Robin V. Taylor

(73) Assignee: **Hunter Douglas Inc.**, Upper Saddle River, NJ (US)

(74) *Attorney, Agent, or Firm*—Dorsey & Whitney LLP

(\*\*) Term: **14 Years**

(57) **CLAIM**

I claim the ornamental design for a head rail for venetian blind type covering, as shown.

(21) Appl. No.: **29/185,222**

**DESCRIPTION**

(22) Filed: **Jun. 23, 2003**

(51) **LOC (7) Cl.** ..... **06-10**

FIG. 1 is an isometric view looking downwardly and toward the rear of the head rail for venetian blind type covering.

(52) **U.S. Cl.** ..... **D6/580; D25/119**

FIG. 2 is an isometric view looking upwardly toward the rail from the same end as FIG. 1.

(58) **Field of Search** ..... D6/580, 577; D25/119; D23/267; 160/38, 168.1 V, 178.1 R

FIG. 3 is a left-end elevation as viewed in FIG. 1.

FIG. 4 is a bottom plan view.

FIG. 5 is a rear elevation.

FIG. 6 is a top plan view.

FIG. 7 is a front elevation; and,

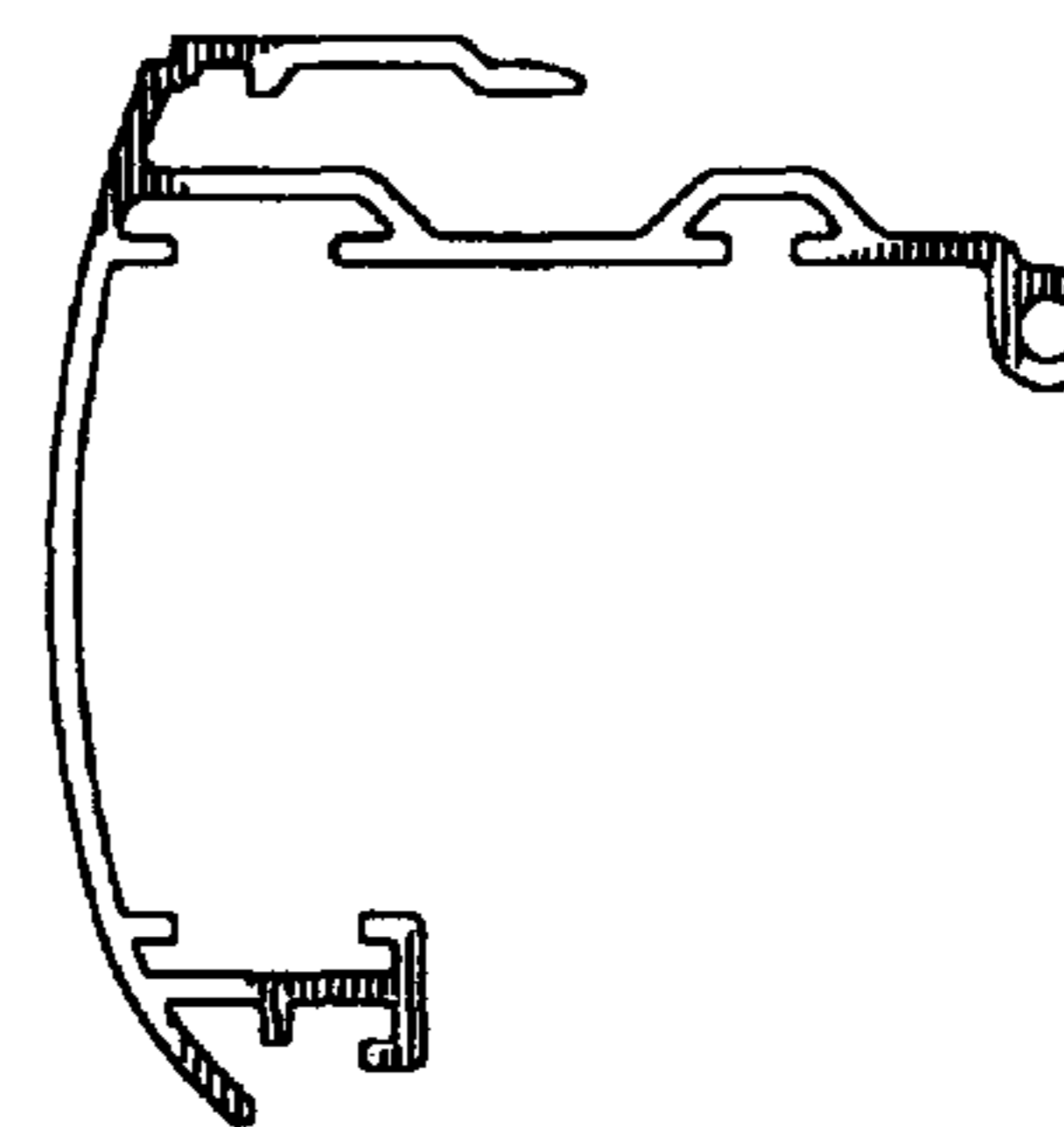
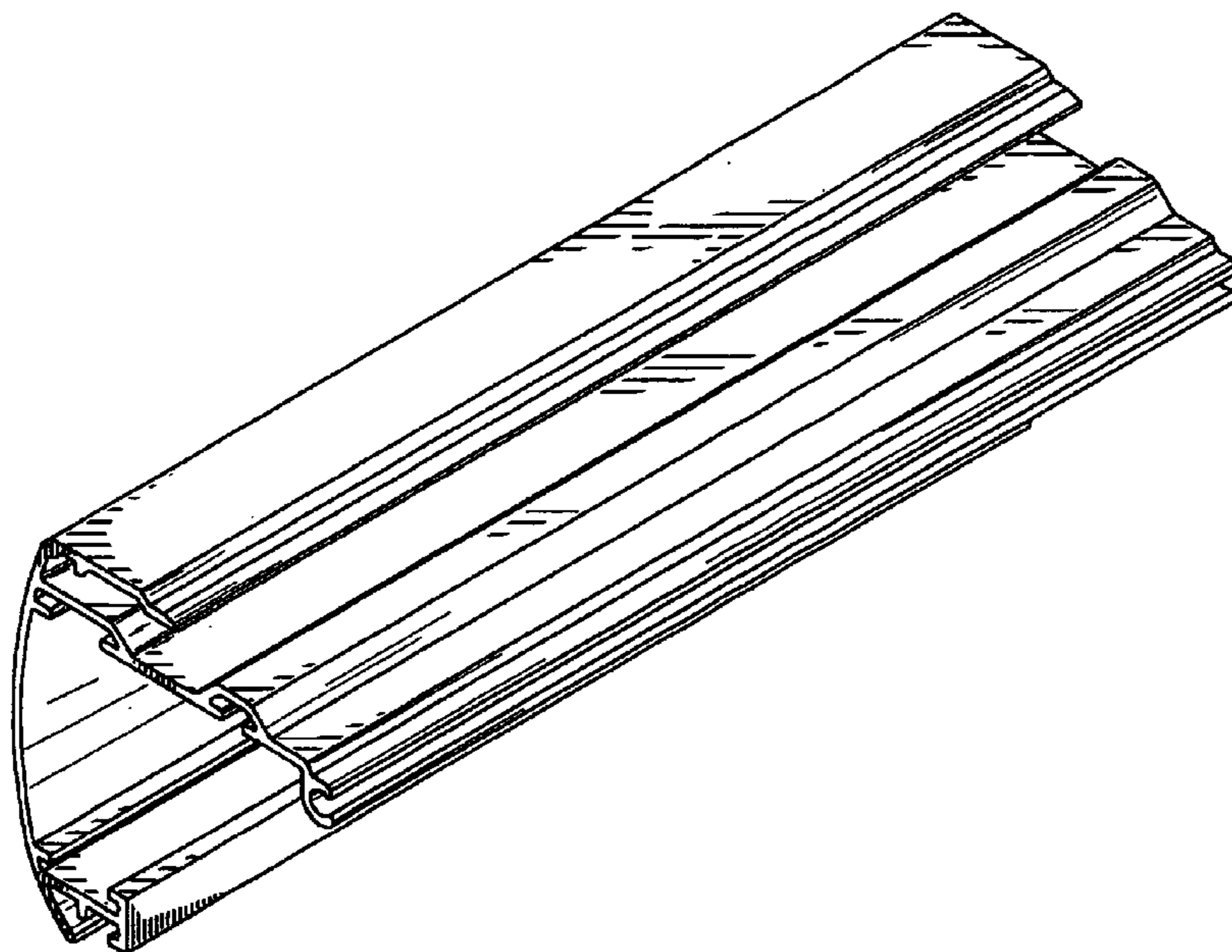
FIG. 8 is a left-end view as seen in FIG. 1 with the rail resting on its front.

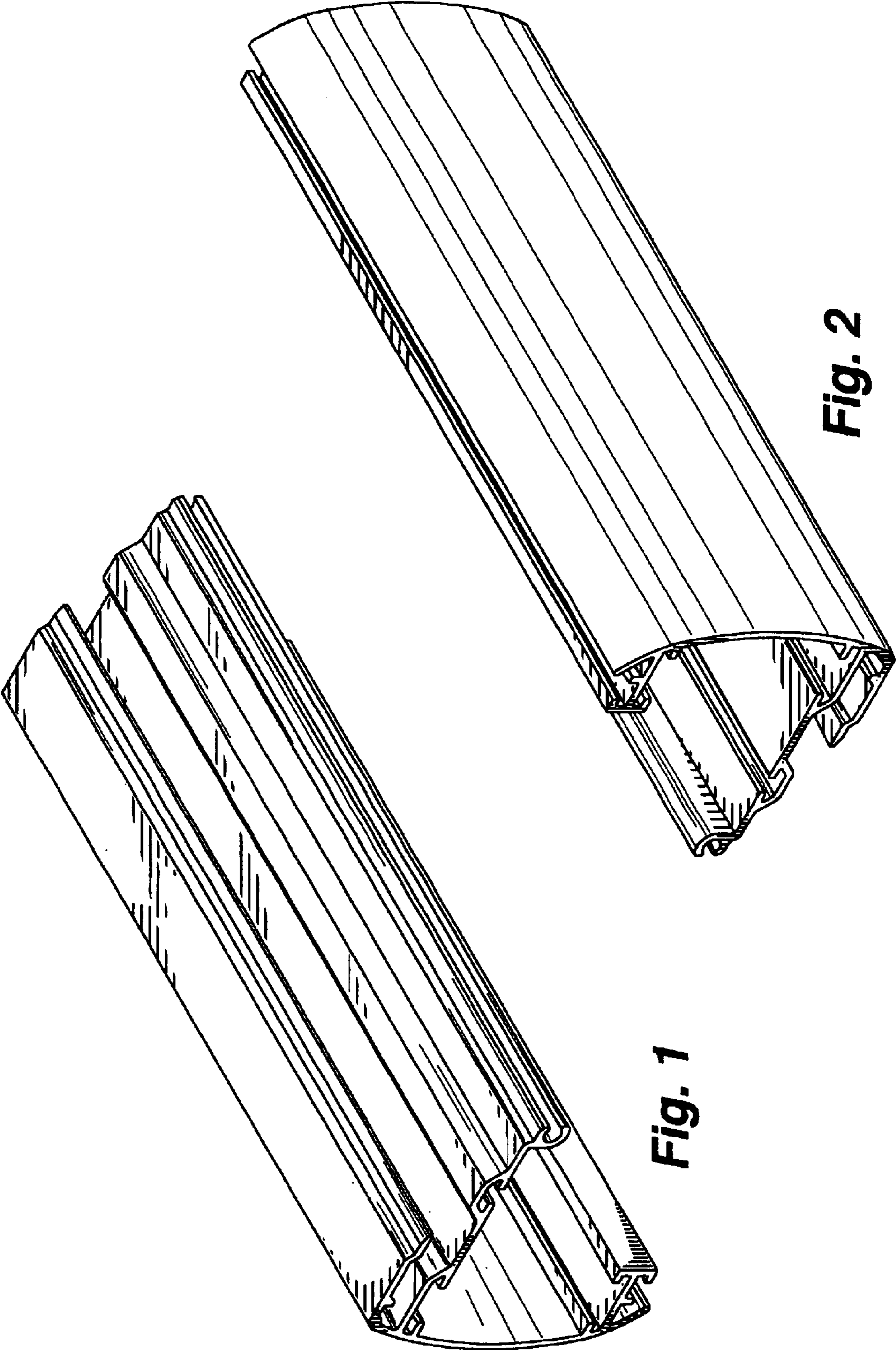
(56) **References Cited**

**U.S. PATENT DOCUMENTS**

D217,247 S \* 4/1970 Brown ..... D23/267  
D425,215 S \* 5/2000 Ginzel ..... D25/119  
D440,100 S \* 4/2001 Horsten ..... D6/580  
D440,444 S \* 4/2001 Sonnenberg et al. .... D6/580

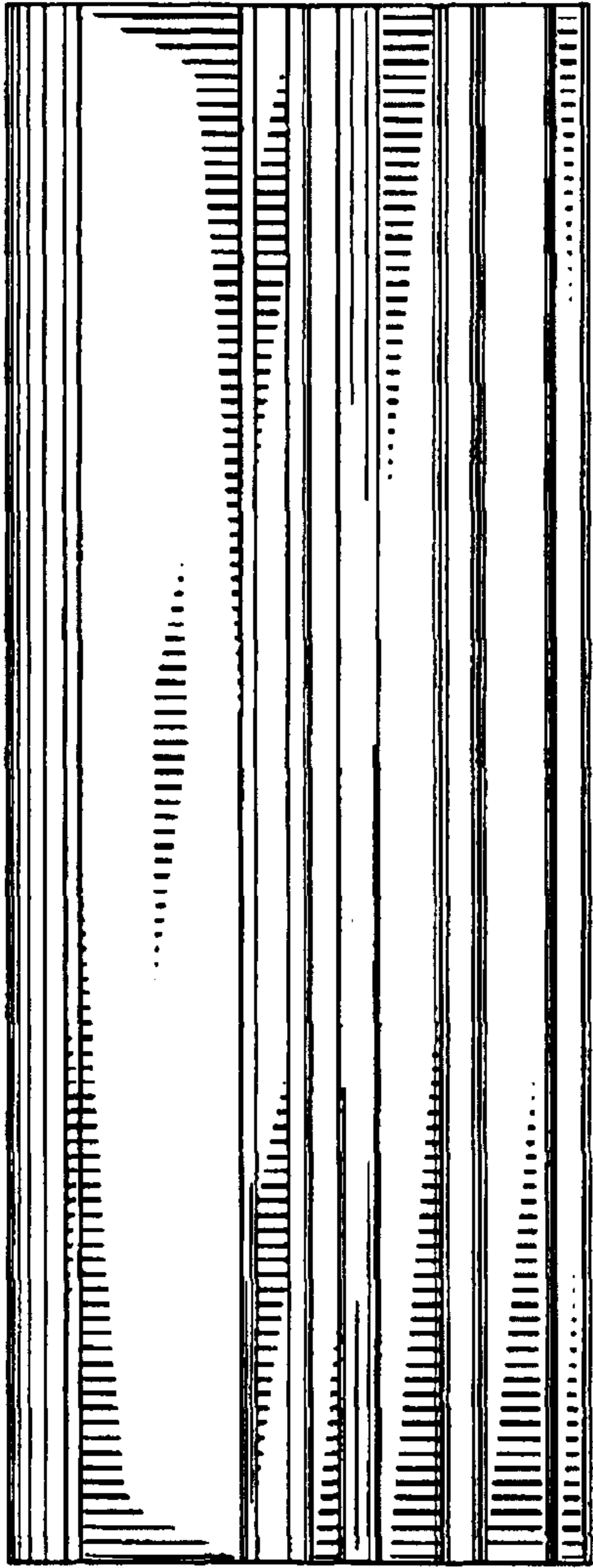
**1 Claim, 3 Drawing Sheets**



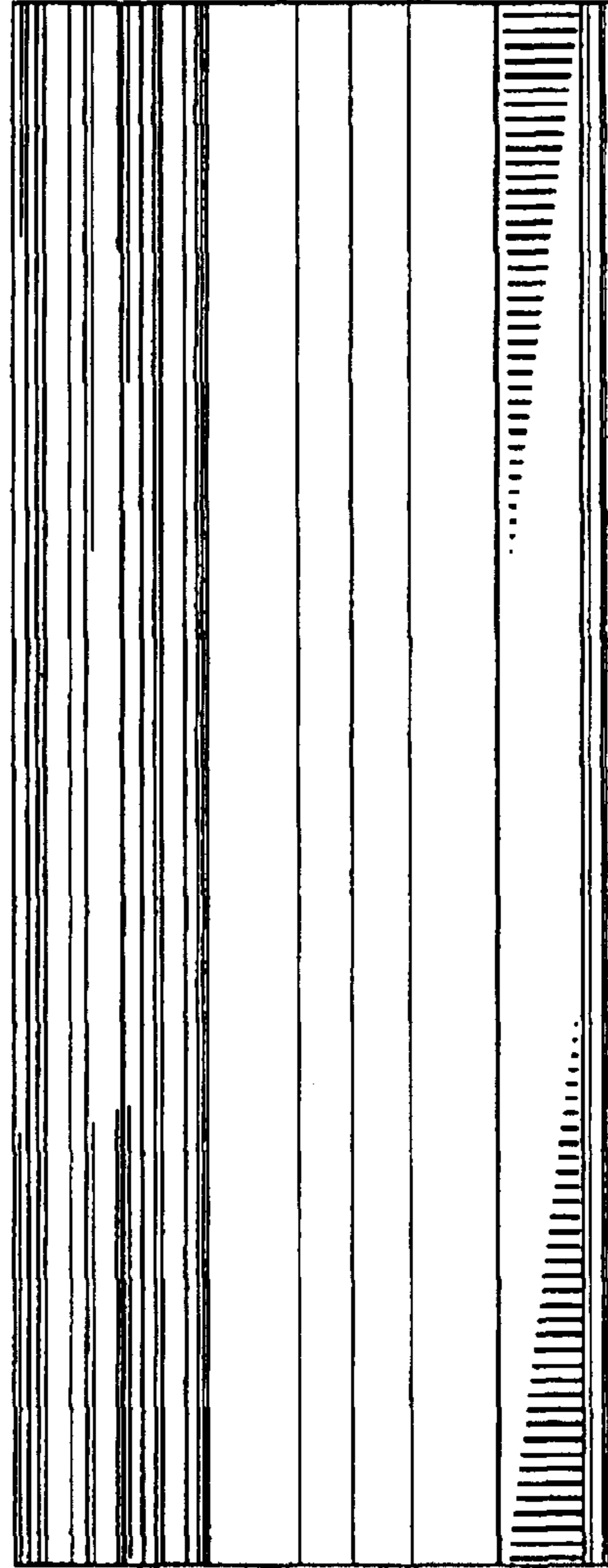


**Fig. 1**

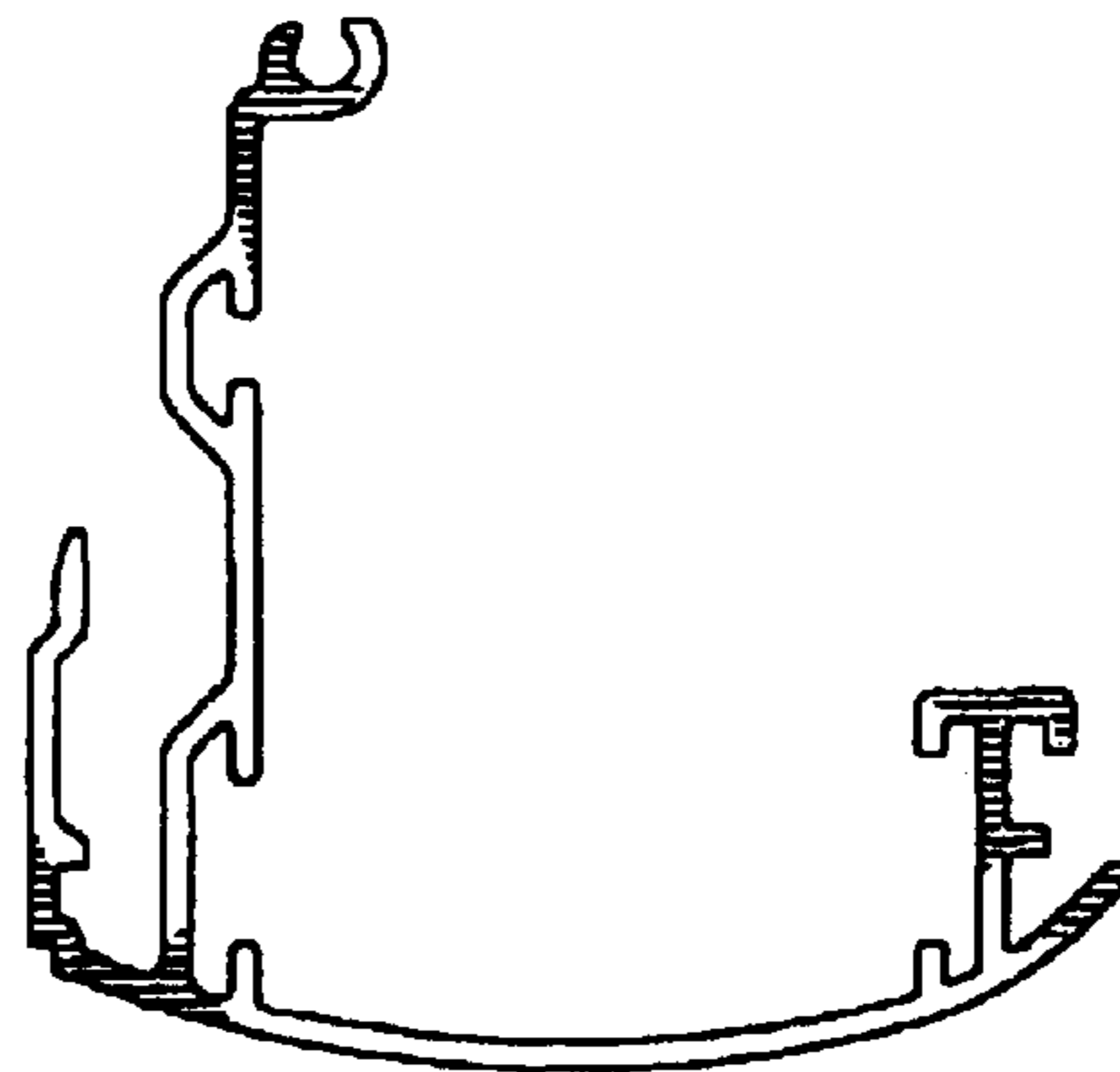
**Fig. 2**



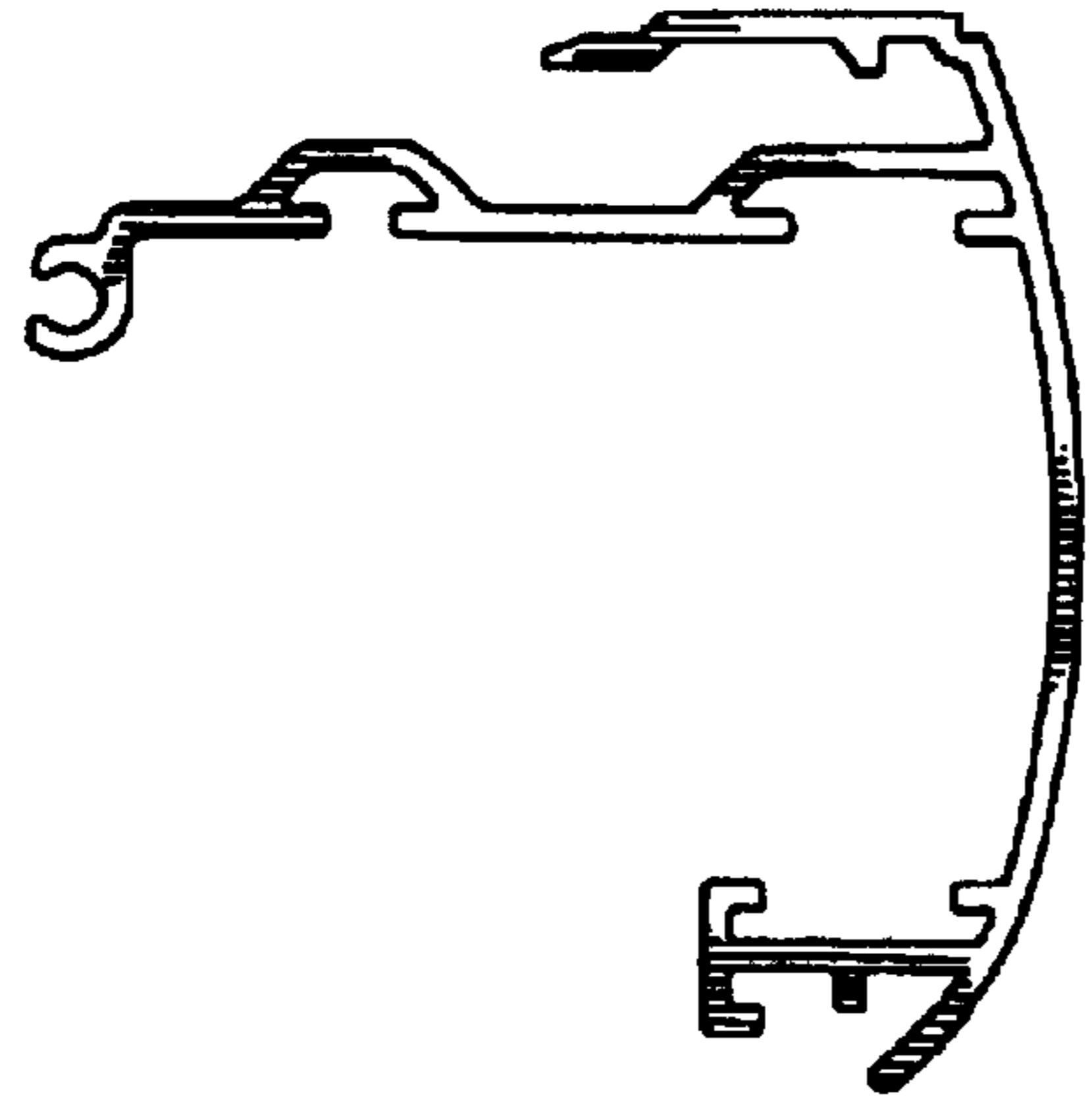
**Fig. 4**



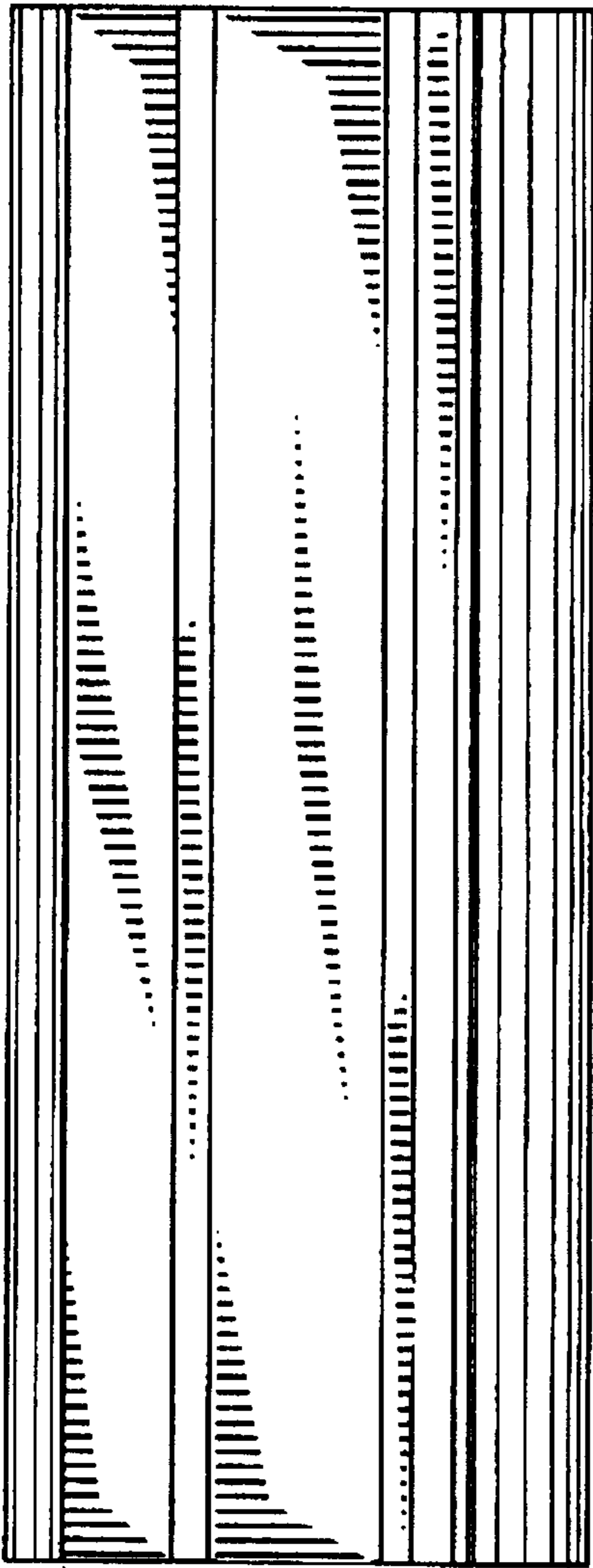
**Fig. 5**



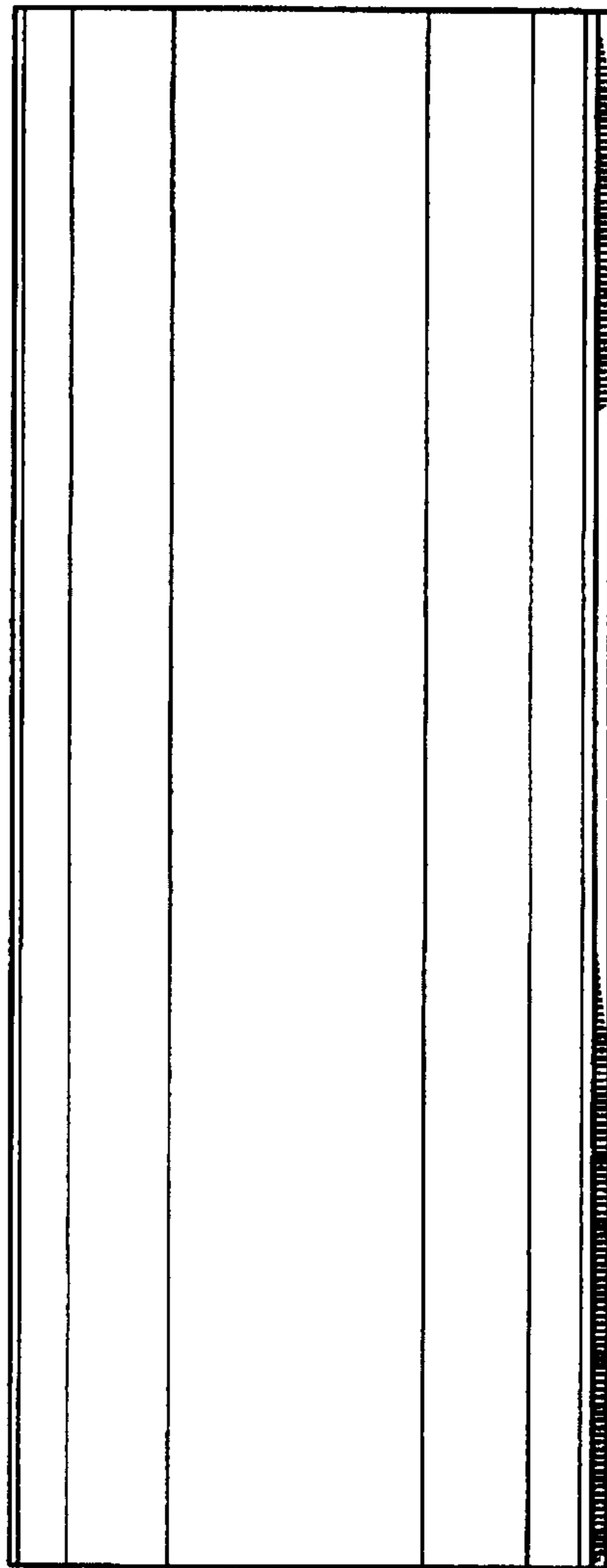
**Fig. 3**



**Fig. 8**



**Fig. 6**



**Fig. 7**