



US00D497752S1

(12) **United States Design Patent** (10) **Patent No.:** **US D497,752 S**
Roberts, III et al. (45) **Date of Patent:** **** Nov. 2, 2004**

(54) **BATH ACCESSORY POST**
 (75) Inventors: **Rockwood T. Roberts, III**, Shillington, PA (US); **Mark Edward Ayers**, Leesport, PA (US)
 (73) Assignee: **Newfrey LLC**, Newark, DE (US)
 (**) Term: **14 Years**

D449,950 S * 11/2001 Lai D6/524
 D465,955 S * 11/2002 Yen D6/550
 D466,347 S * 12/2002 Chen D6/550
 D466,350 S * 12/2002 Tai D6/550
 D469,292 S * 1/2003 Chen et al. D6/550
 D474,929 S * 5/2003 Lai D6/524
 D474,932 S * 5/2003 Lai D6/524
 D477,168 S * 7/2003 Greenspon D6/524
 D477,946 S * 8/2003 Ouano D6/524
 D484,720 S * 1/2004 Moore D6/524
 D492,525 S * 7/2004 Roberts et al. D6/524

(21) Appl. No.: **29/188,412**
 (22) Filed: **Aug. 18, 2003**

* cited by examiner

(51) **LOC (7) Cl.** **23-02**
 (52) **U.S. Cl.** **D6/524**
 (58) **Field of Search** D6/546-550, 518-519, D6/522-524; D8/300, 303, 315-321, 354, 363, 373, 380; 108/28-29; 211/13.1, 16, 60.1, 86.01, 87.01, 88.01, 88.04, 100, 105.1-105.2, 123, 126.1, 133.6, 134, 181.1, 182; 248/175, 176.1, 200, 251, 302, 309.1; 16/110.1, 412, 415; 242/570, 590, 595-598; 206/389, 557

Primary Examiner—Brian N Vinson
 (74) *Attorney, Agent, or Firm*—Richard J. Veltman; John D. Del Ponti

(57) **CLAIM**

The ornamental design for a bath accessory post, as shown and described.

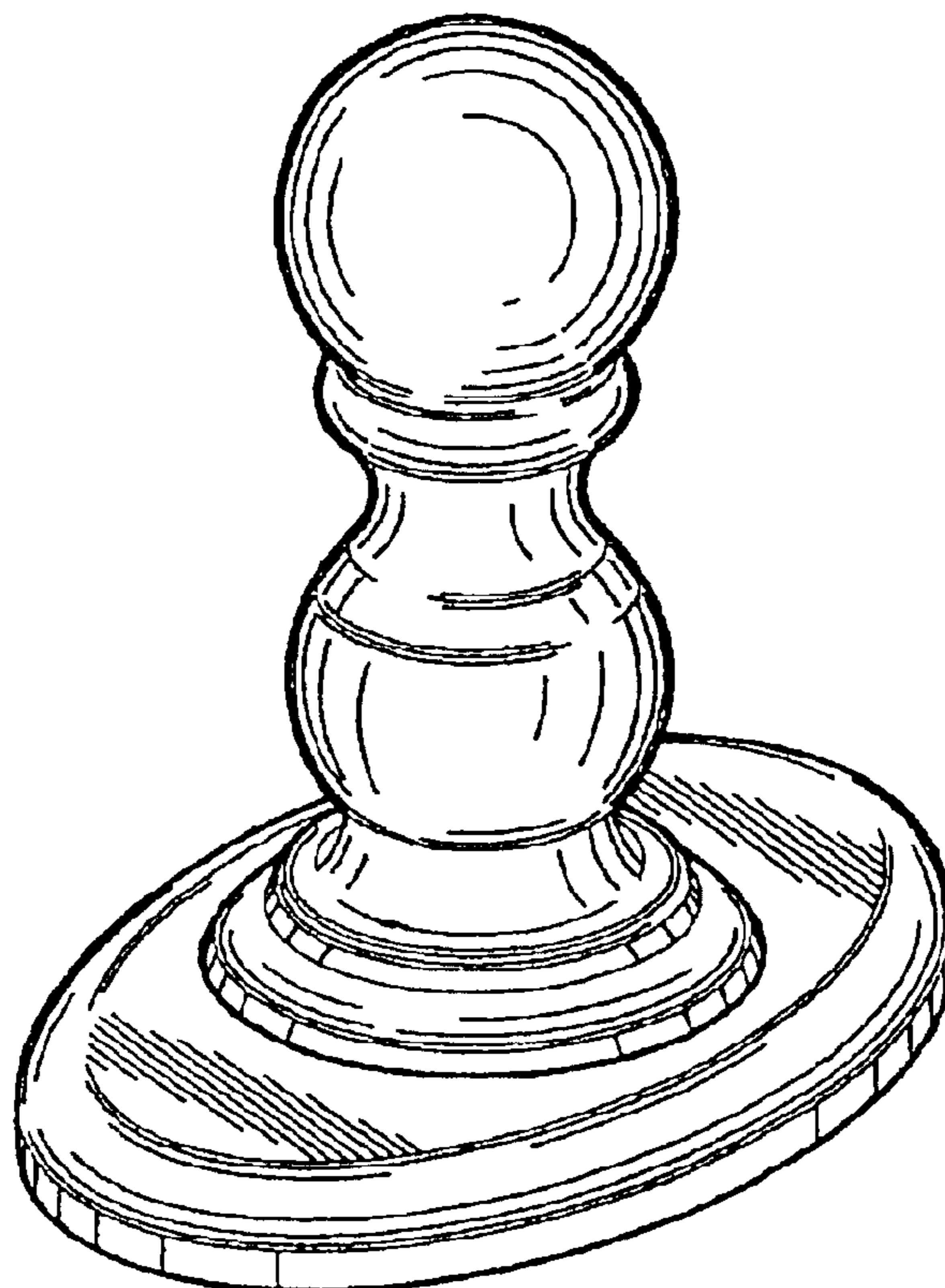
DESCRIPTION

FIG. 1 is a perspective view of a bath accessory post showing our new design;
 FIG. 2 is a right side view thereof;
 FIG. 3 is a front elevational view thereof;
 FIG. 4 is a bottom plan view thereof;
 FIG. 5 is a left side view thereof; and,
 FIG. 6 is a top plan view thereof.

(56) **References Cited**
 U.S. PATENT DOCUMENTS

D337,230 S * 7/1993 Wang D6/550
 D390,397 S * 2/1998 Chen D6/550
 D424,354 S * 5/2000 Duggan D6/550
 D431,948 S * 10/2000 Chen D6/524
 D449,948 S * 11/2001 Lai D6/524

1 Claim, 3 Drawing Sheets



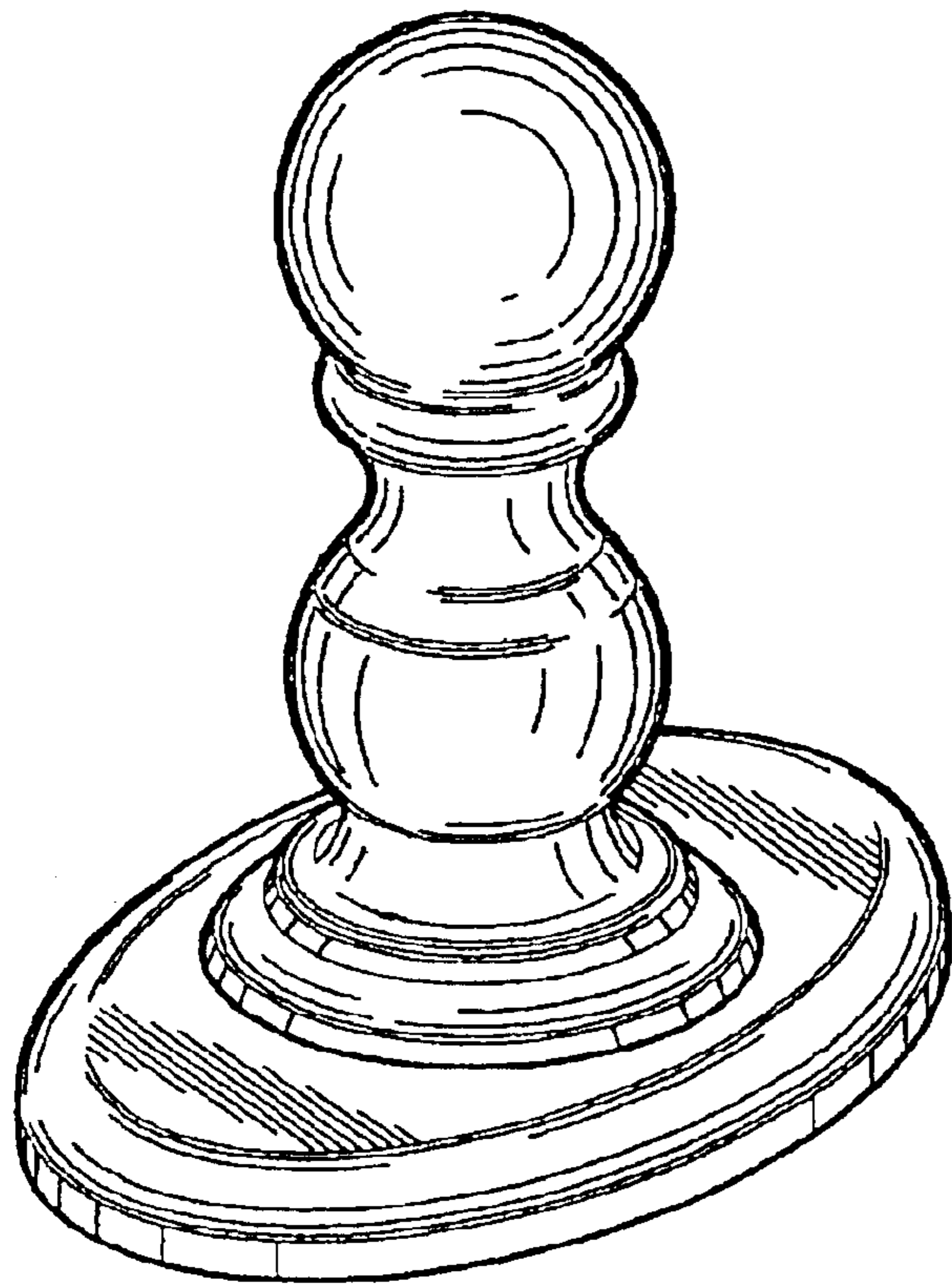


FIG - 1

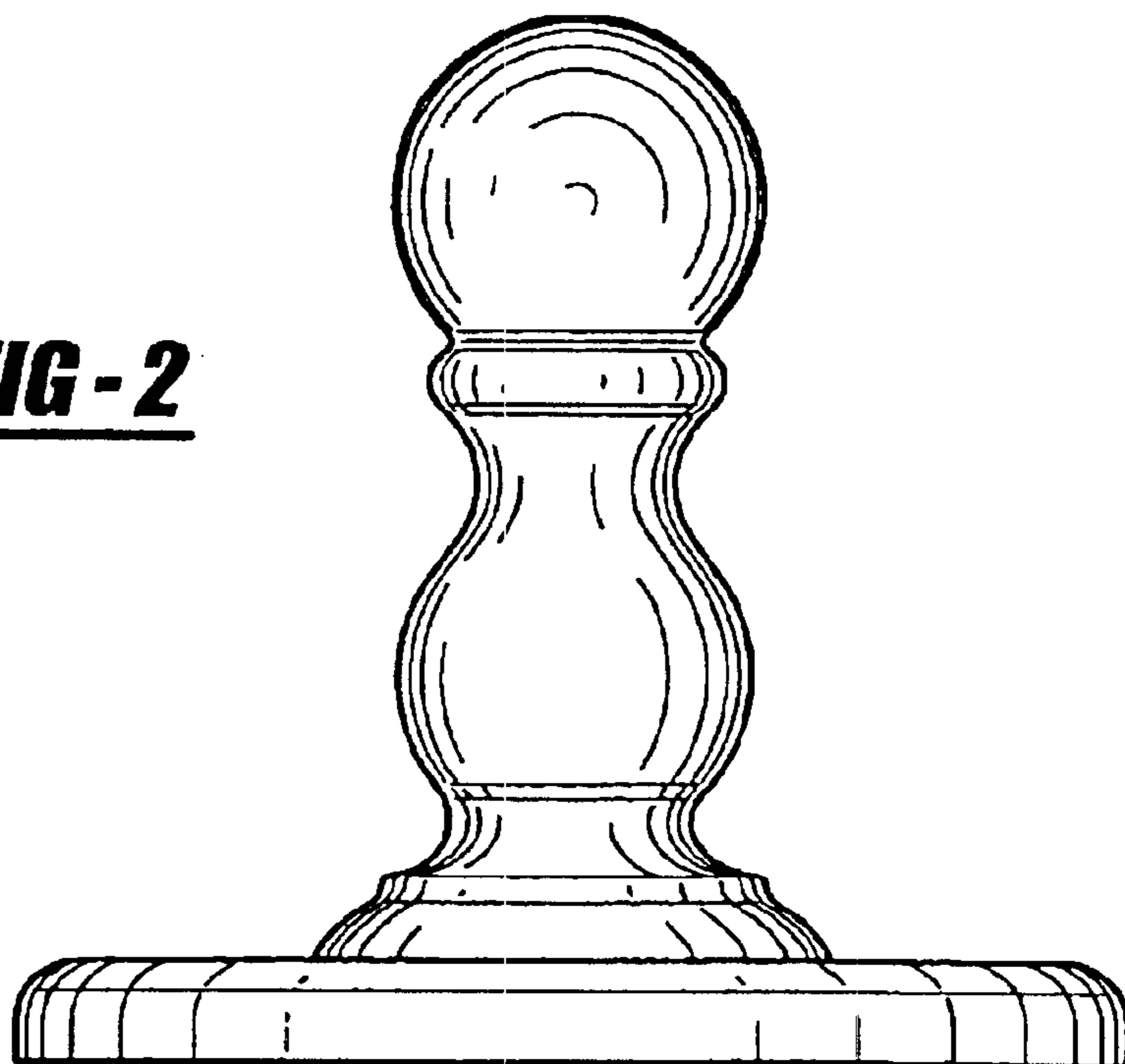


FIG - 2

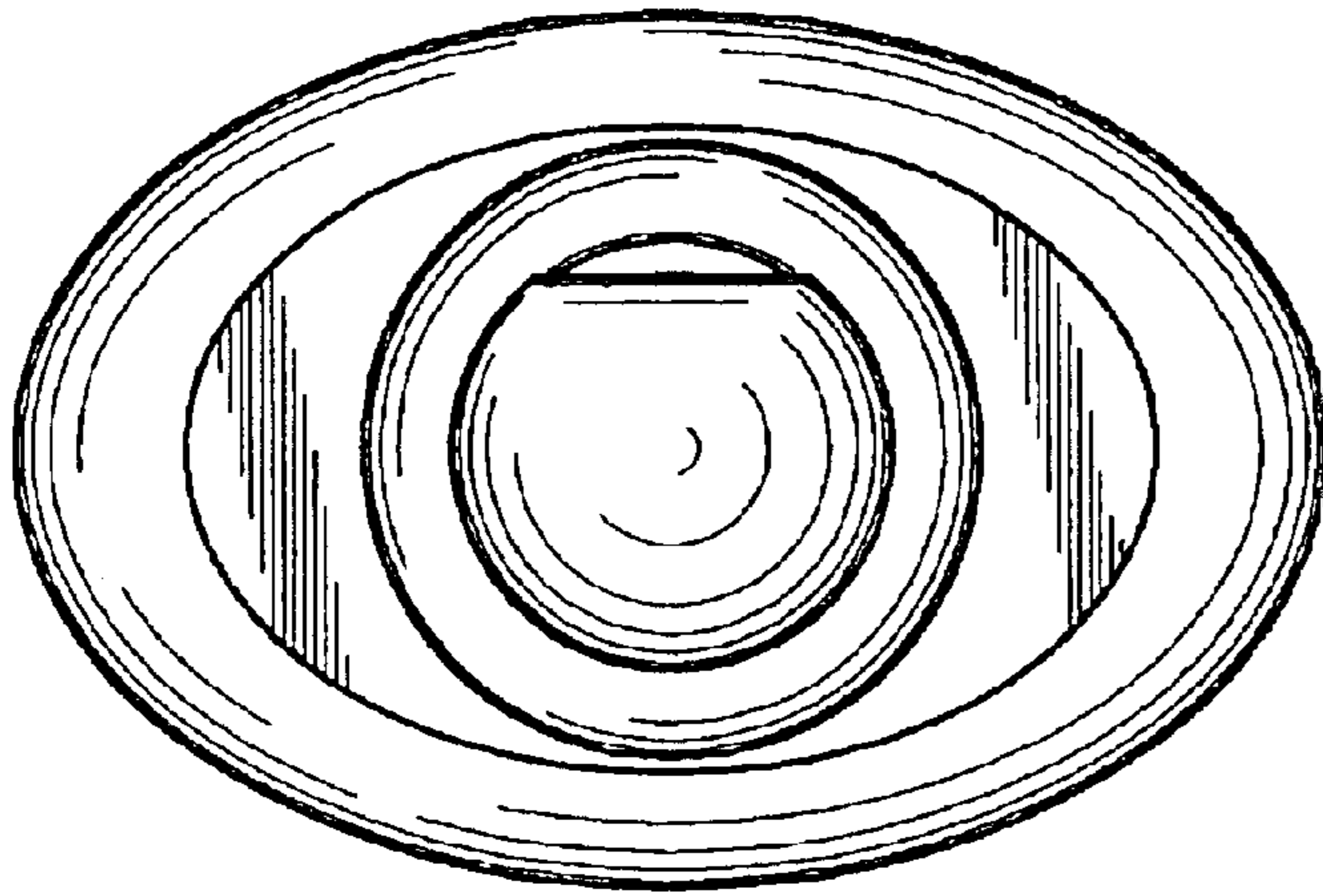


FIG - 3

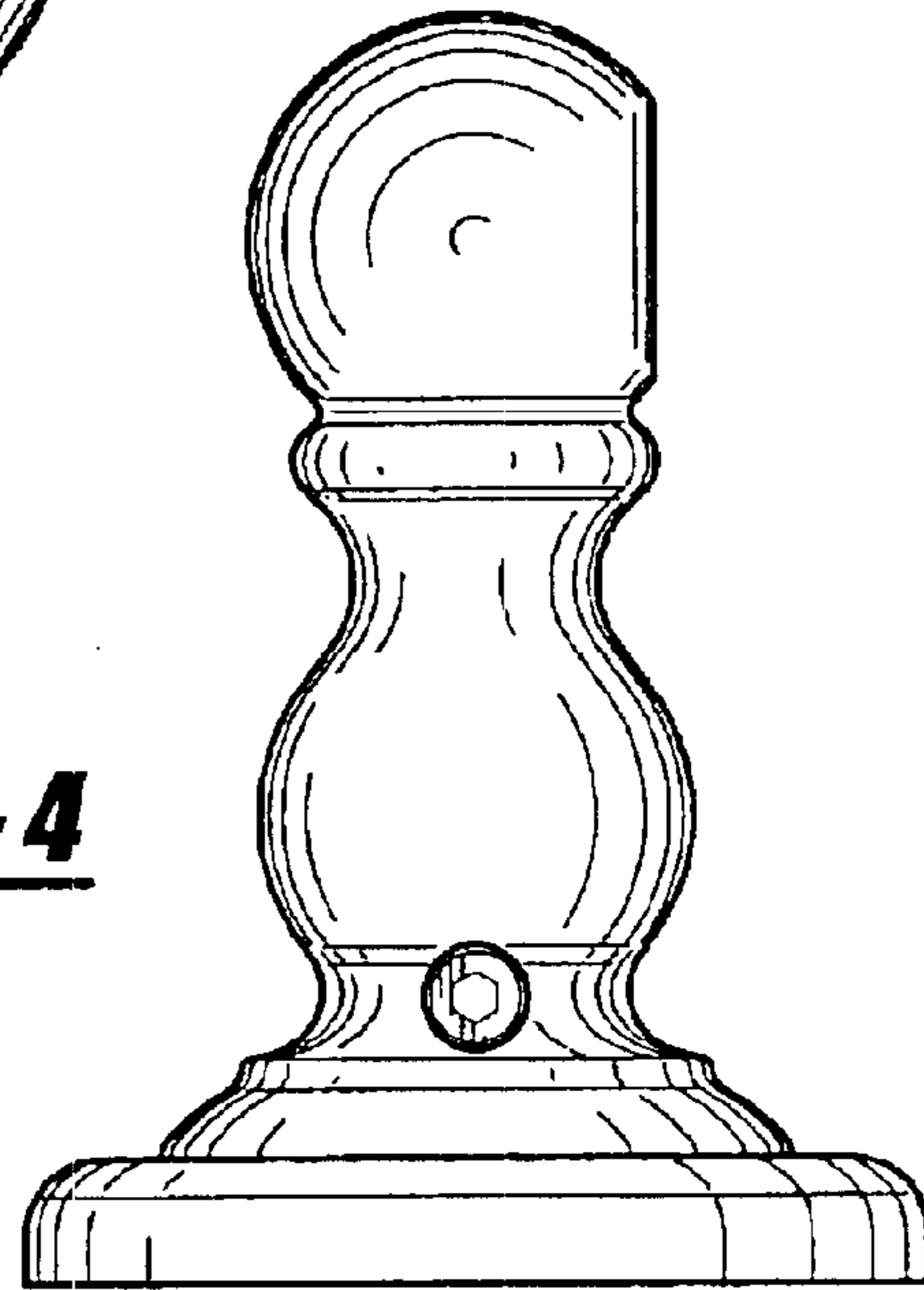


FIG - 4

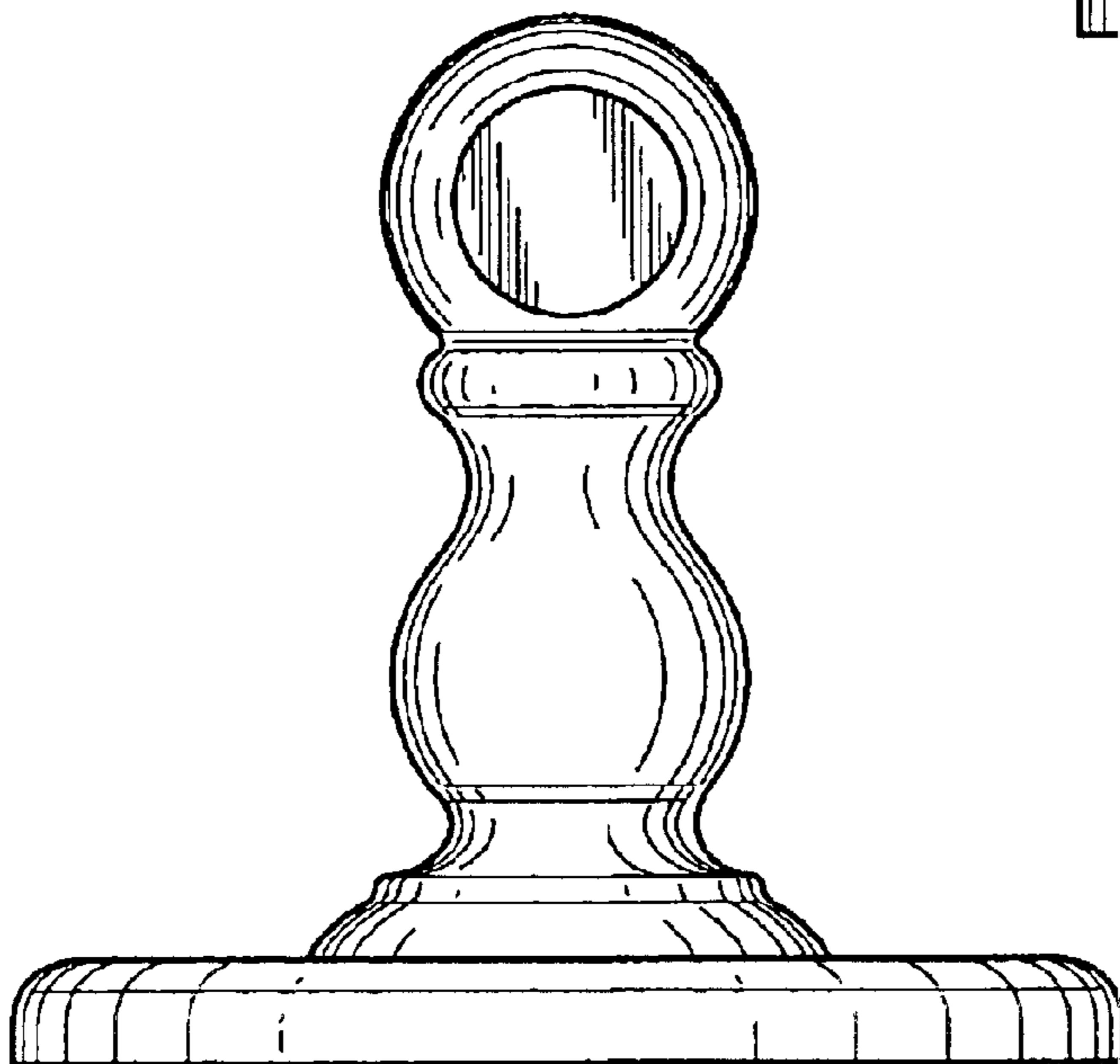


FIG - 5

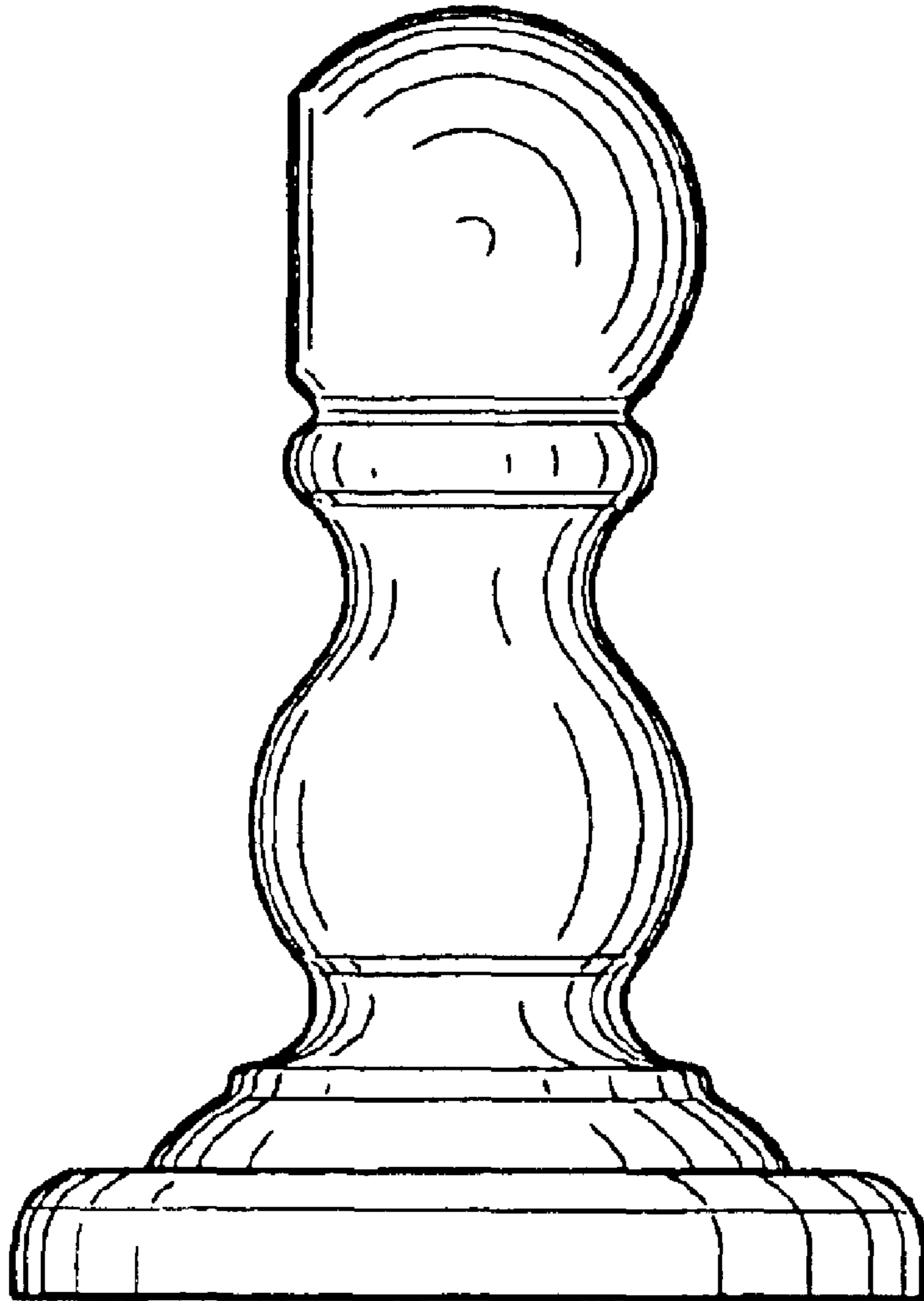


FIG - 6