

US00D497746S1

(12) **United States Design Patent**
Haney

(10) **Patent No.:** **US D497,746 S**
(45) **Date of Patent:** **** Nov. 2, 2004**

(54) **END CAP FOR A TABLE LEG**

(75) Inventor: **Thayne B. Haney**, Syracuse, UT (US)

(73) Assignee: **Lifetime Products, Inc.**, Clearfield, UT (US)

(**) Term: **14 Years**

(21) Appl. No.: **29/180,019**

(22) Filed: **Apr. 17, 2003**

(51) **LOC (7) Cl.** **06-06**

(52) **U.S. Cl.** **D6/495**

(58) **Field of Search** D6/480-489, 495,
D6/499, 497, 491, 429; 108/150, 153.1,
155, 156, 157.1, 161; 248/188, 188.1, 188.8;
D8/375; 16/18, 45

(56) **References Cited**

U.S. PATENT DOCUMENTS

- D398,517 S * 9/1998 Lee D8/375
- D481,931 S * 11/2003 Chi D8/375
- D492,894 S * 7/2004 Cheng D8/375

* cited by examiner

Primary Examiner—Janice E. Seeger

(74) *Attorney, Agent, or Firm*—Workman Nydegger

(57) **CLAIM**

The ornamental design for an end cap for a table leg, as shown and described.

DESCRIPTION

FIG. 1 is a front perspective view of an end cap for a table leg;

FIG. 2 is an enlarged rear perspective view of the end cap for a table leg shown in FIG. 1;

FIG. 3 is a front perspective view of the end cap for a table leg shown in FIG. 2;

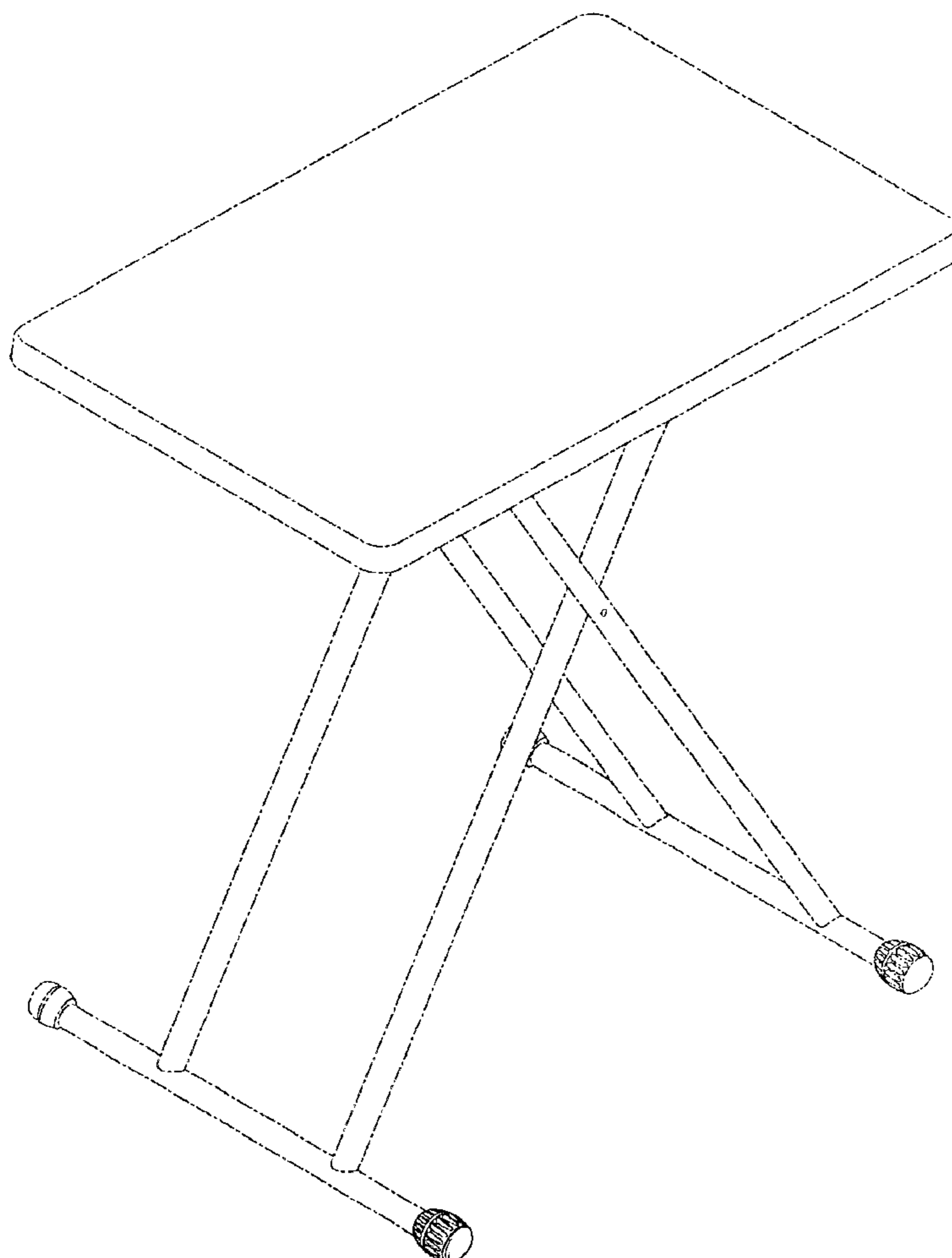
FIG. 4 is a top view of the end cap for a table leg shown in FIG. 2, with the bottom view being a mirror image thereof;

FIG. 5 is a rear view of the end cap for a table leg shown in FIG. 2; and,

FIG. 6 is a front view of the end cap for a table leg shown in FIG. 2.

The broken lines shown in the figures are for illustrative purposes only and form no part of the claimed design.

1 Claim, 3 Drawing Sheets



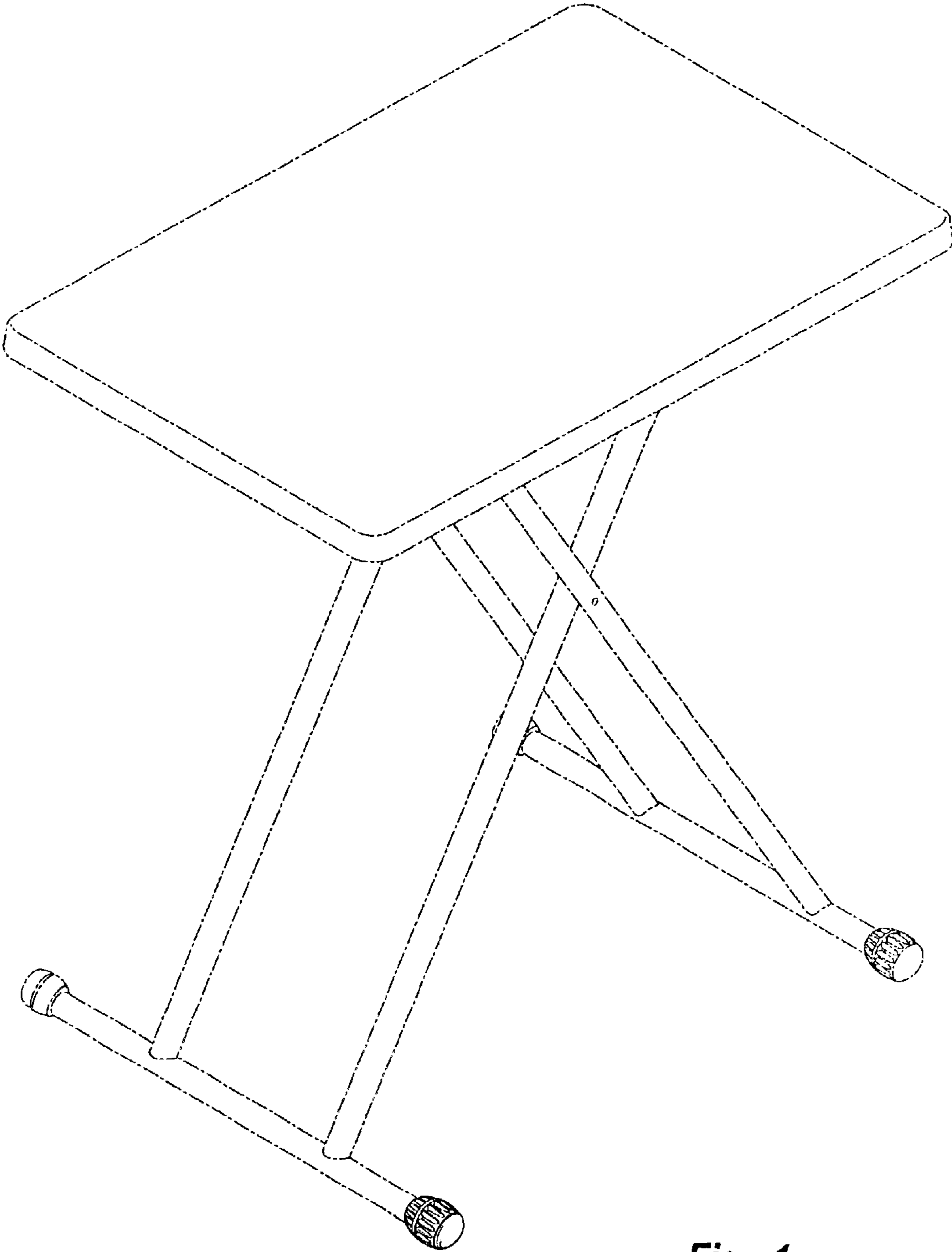


Fig. 1

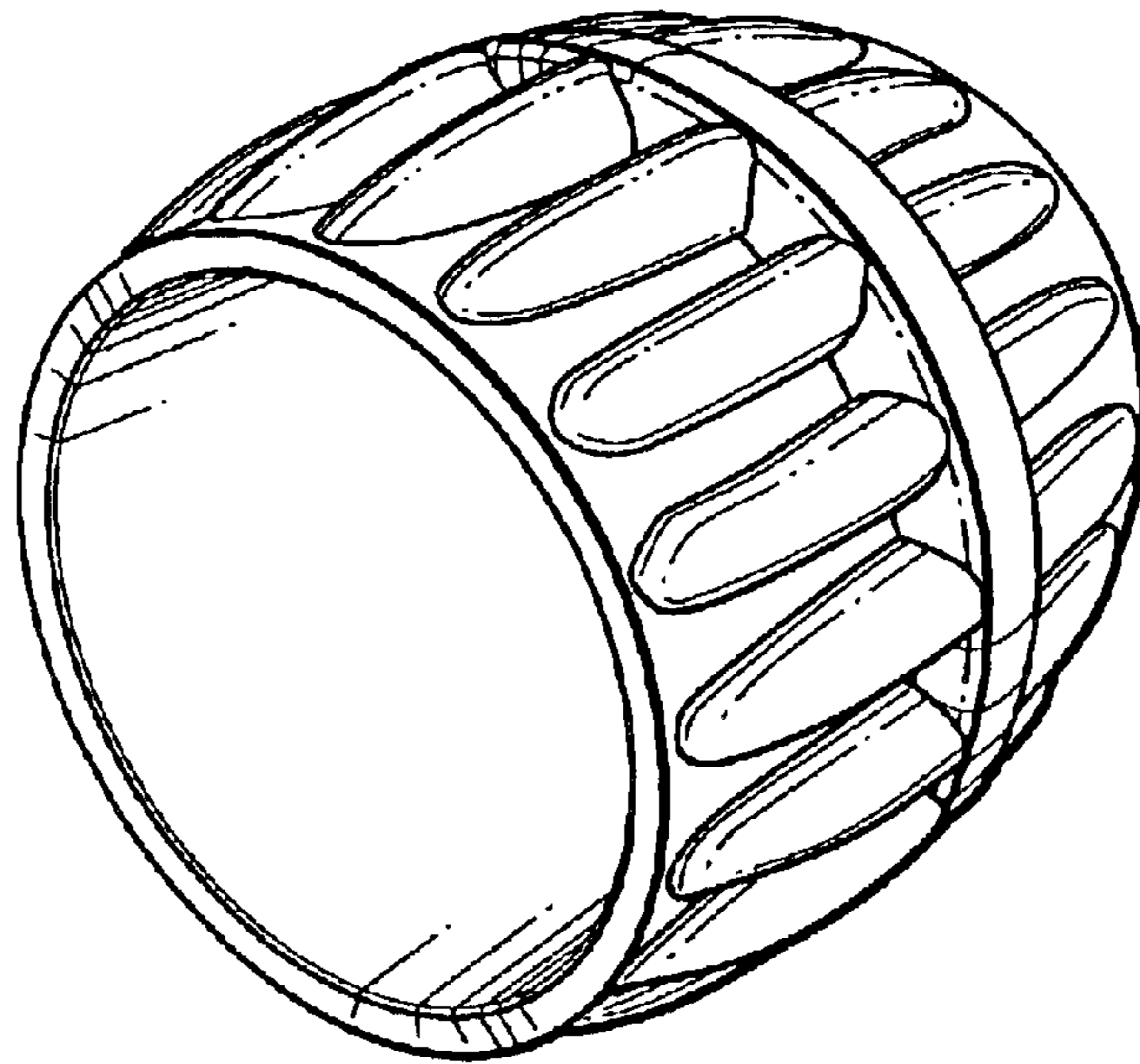


Fig. 2

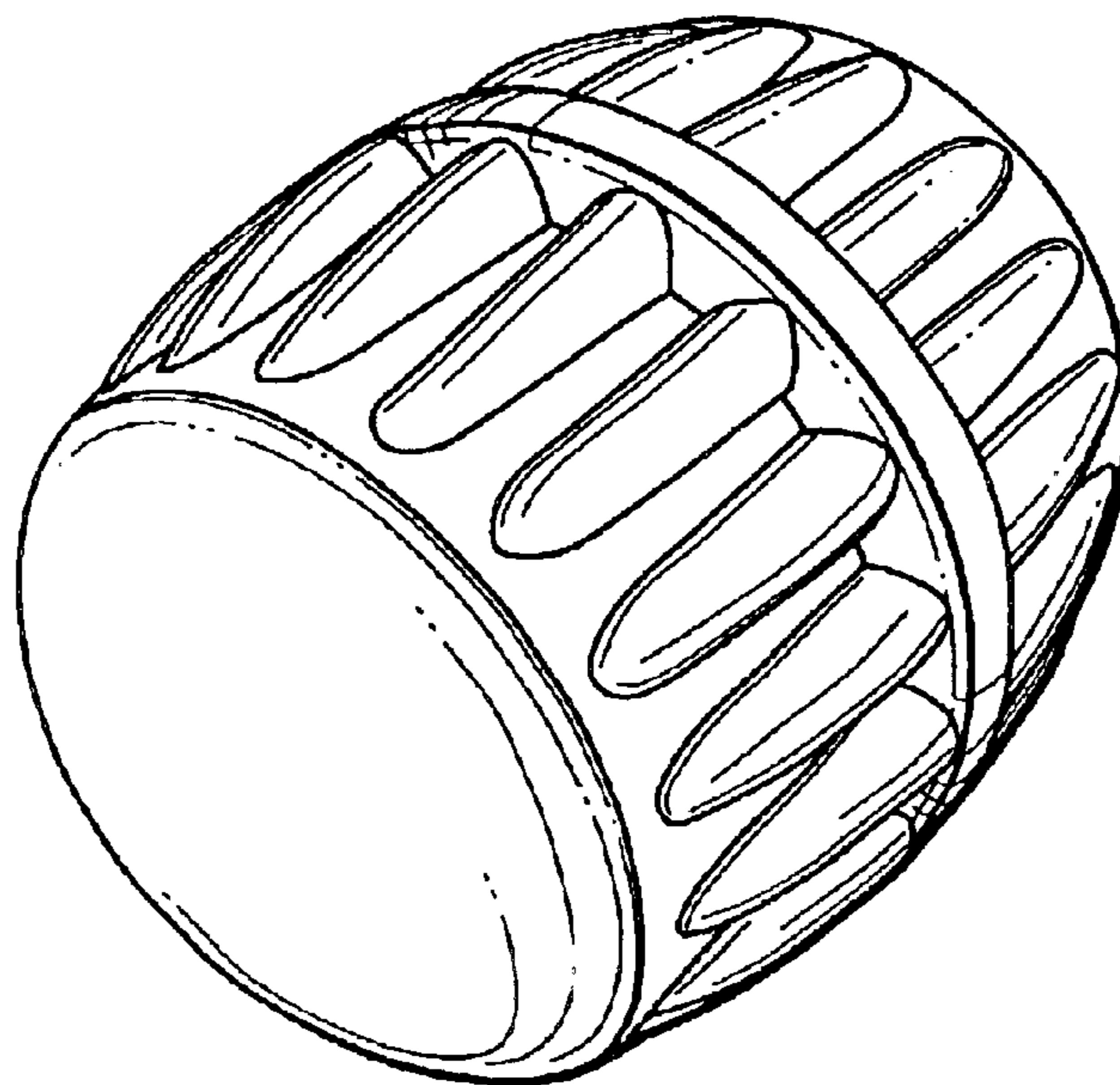


Fig. 3

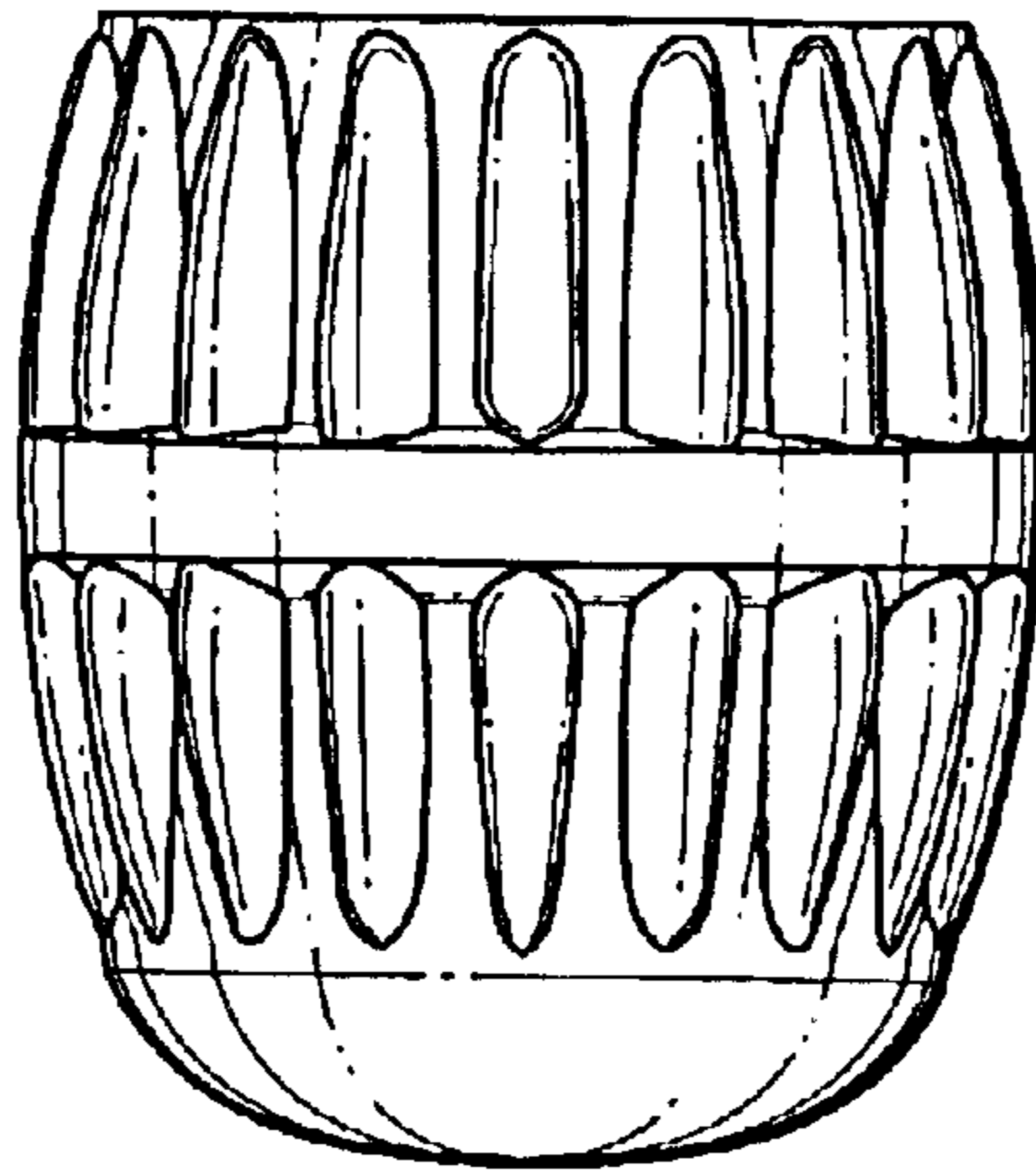


Fig. 4

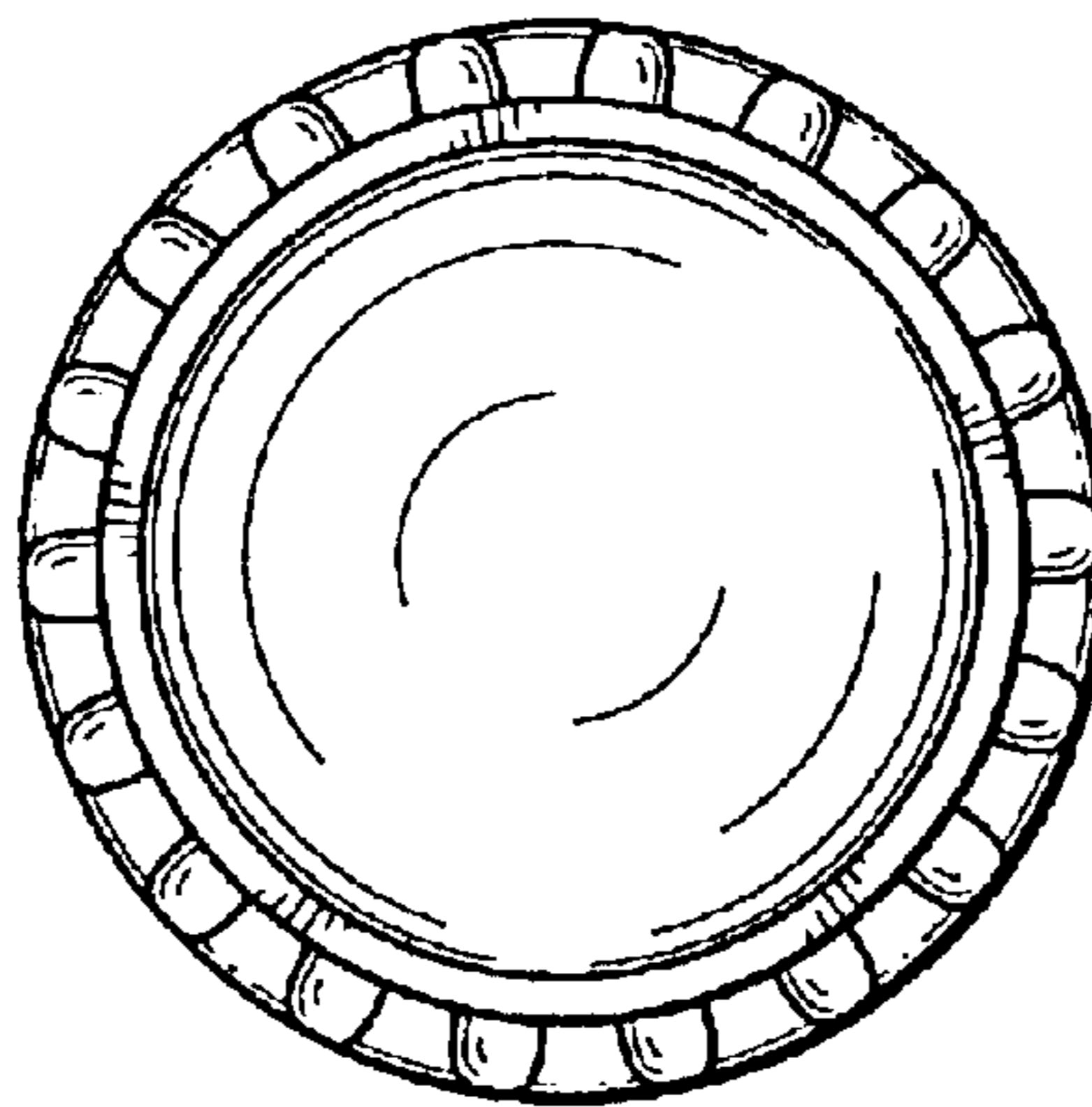


Fig. 5

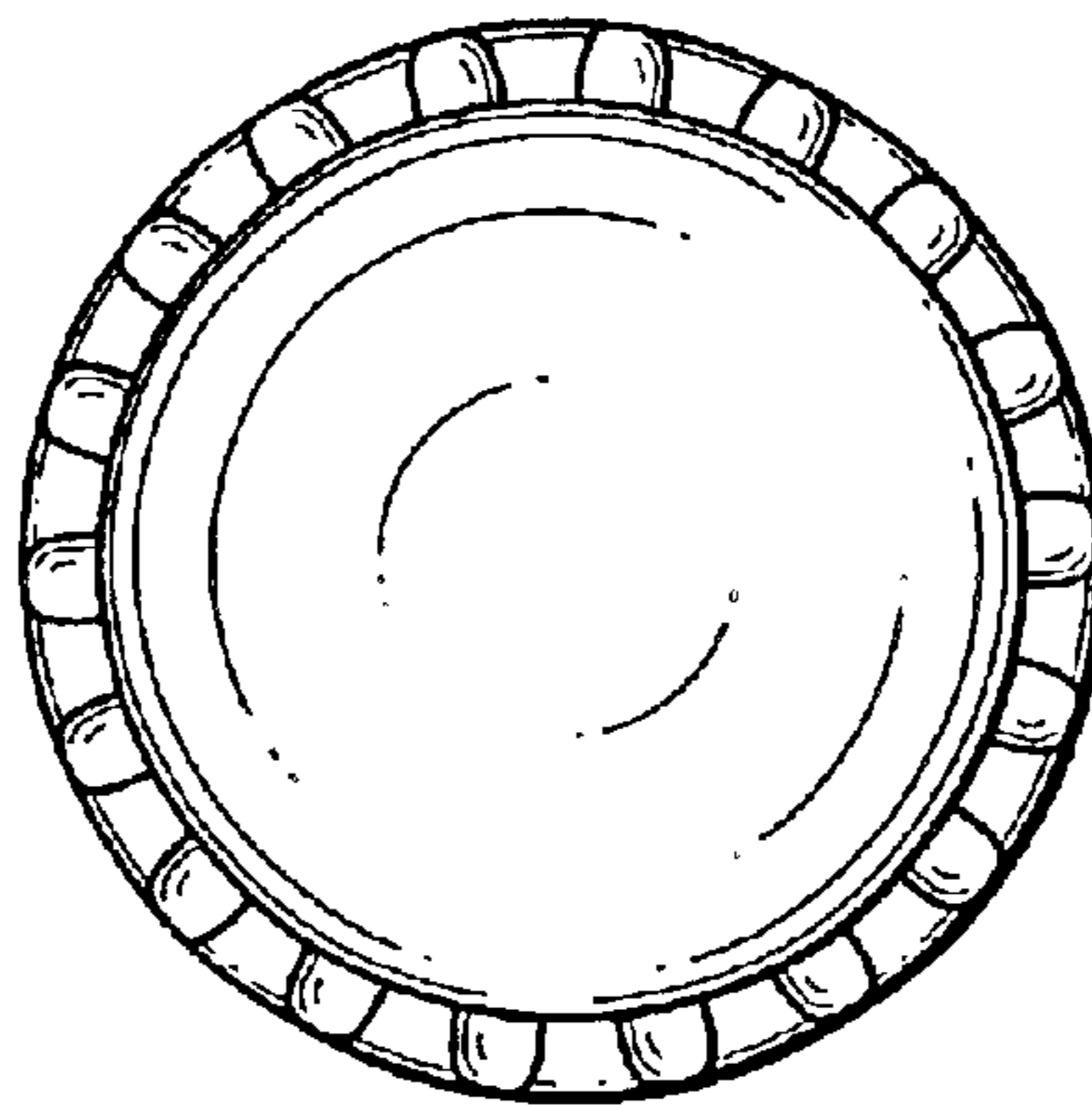


Fig. 6